



US00D590239S

(12) **United States Design Patent**  
**Gaudron**

(10) **Patent No.:** **US D590,239 S**

(45) **Date of Patent:** **\*\* Apr. 14, 2009**

(54) **HOOK WITH ANCHOR**

(75) Inventor: **Paul Gaudron**, Stratford, CT (US)

(73) Assignee: **Power Fasteners, Inc.**, Brewster, NY (US)

(\*\*) Term: **14 Years**

(21) Appl. No.: **29/283,389**

(22) Filed: **Aug. 13, 2007**

(51) **LOC (9) Cl.** ..... **08-05**

(52) **U.S. Cl.** ..... **D8/367**

(58) **Field of Classification Search** ..... D8/363,  
D8/364, 367, 368, 370, 373, 380; 24/457;  
248/301, 304, 317, 322, 327, 339, 342, 343;  
D6/323

See application file for complete search history.

(56) **References Cited**

U.S. PATENT DOCUMENTS

D5,991 S *	7/1872	Fogelstrand	.....	D8/363
D11,808 S *	6/1880	Christesen	.....	D8/367
D11,809 S *	6/1880	Christesen	.....	D8/367
D12,284 S *	5/1881	Willcox	.....	D8/367
D24,189 S *	4/1895	Beardsley	.....	D8/364
D29,981 S *	1/1899	Sevigne	.....	D8/367
D115,773 S *	7/1939	Strand	.....	D8/367
D170,196 S *	8/1953	Gries	.....	D8/367

3,283,383 A *	11/1966	Heath	.....	24/457
D225,613 S *	12/1972	Chasen	.....	D8/367
D225,614 S *	12/1972	Chasen	.....	D8/367
D225,967 S *	1/1973	Chasen	.....	D8/367
D226,834 S *	5/1973	Chasen	.....	D8/367
D236,323 S *	8/1975	Johnsen et al.	.....	D8/367
D241,117 S *	8/1976	Holtz	.....	D8/367
D457,419 S *	5/2002	McSherry et al.	.....	D8/367

\* cited by examiner

*Primary Examiner*—Robert M Spear

*Assistant Examiner*—Barbara B Lohr

(74) *Attorney, Agent, or Firm*—Cantor Colburn LLP

(57) **CLAIM**

I claim, the ornamental design for the hook with anchor, as shown and described.

**DESCRIPTION**

FIG. 1 is a side view of a hook with anchor, the opposite side being a mirror image thereof;

FIG. 2 is a front view of the hook with anchor;

FIG. 3 is a rear view of the hook with anchor;

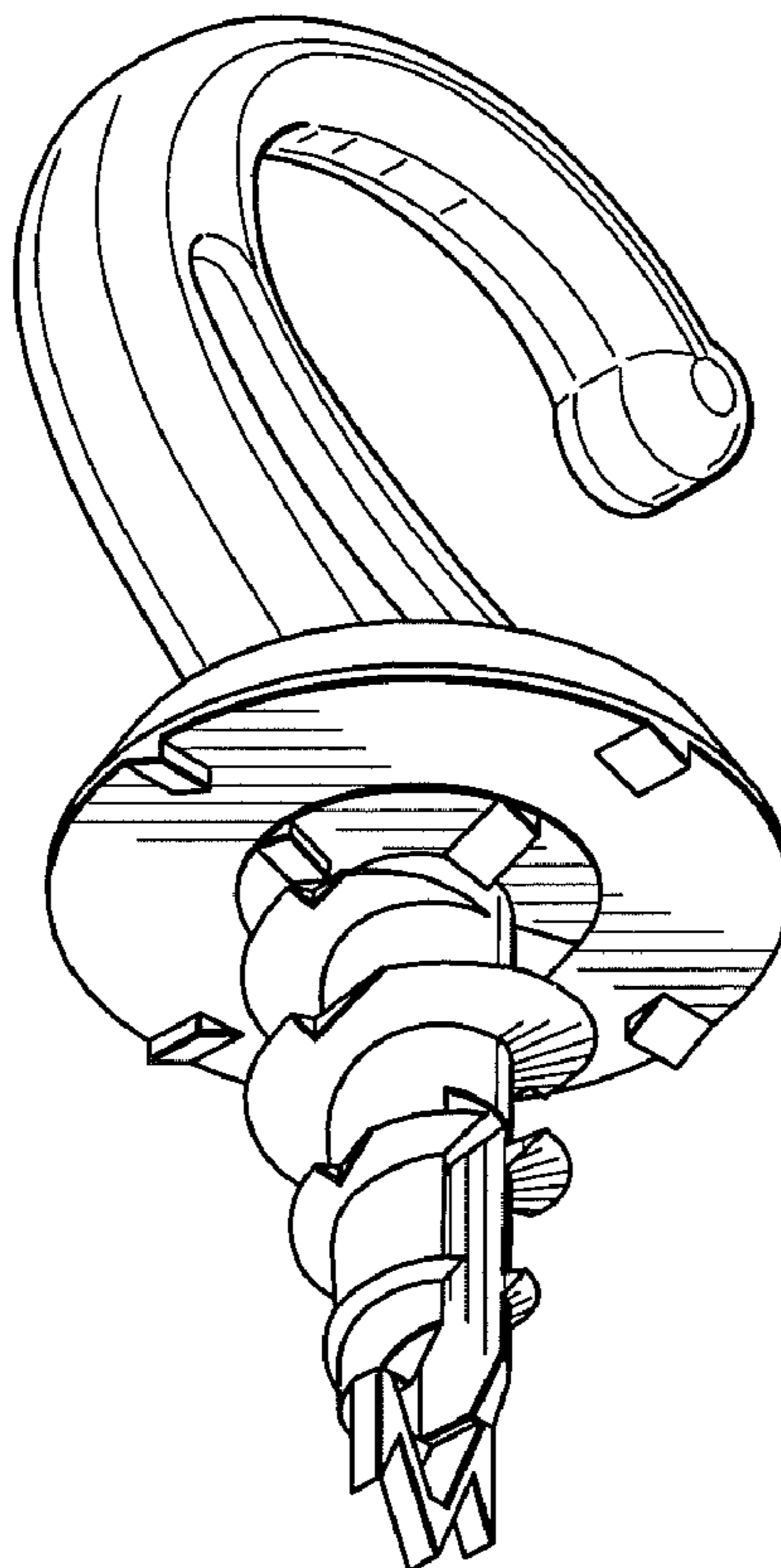
FIG. 4 is a top view of the hook with anchor;

FIG. 5 is a bottom plan view of the hook with anchor;

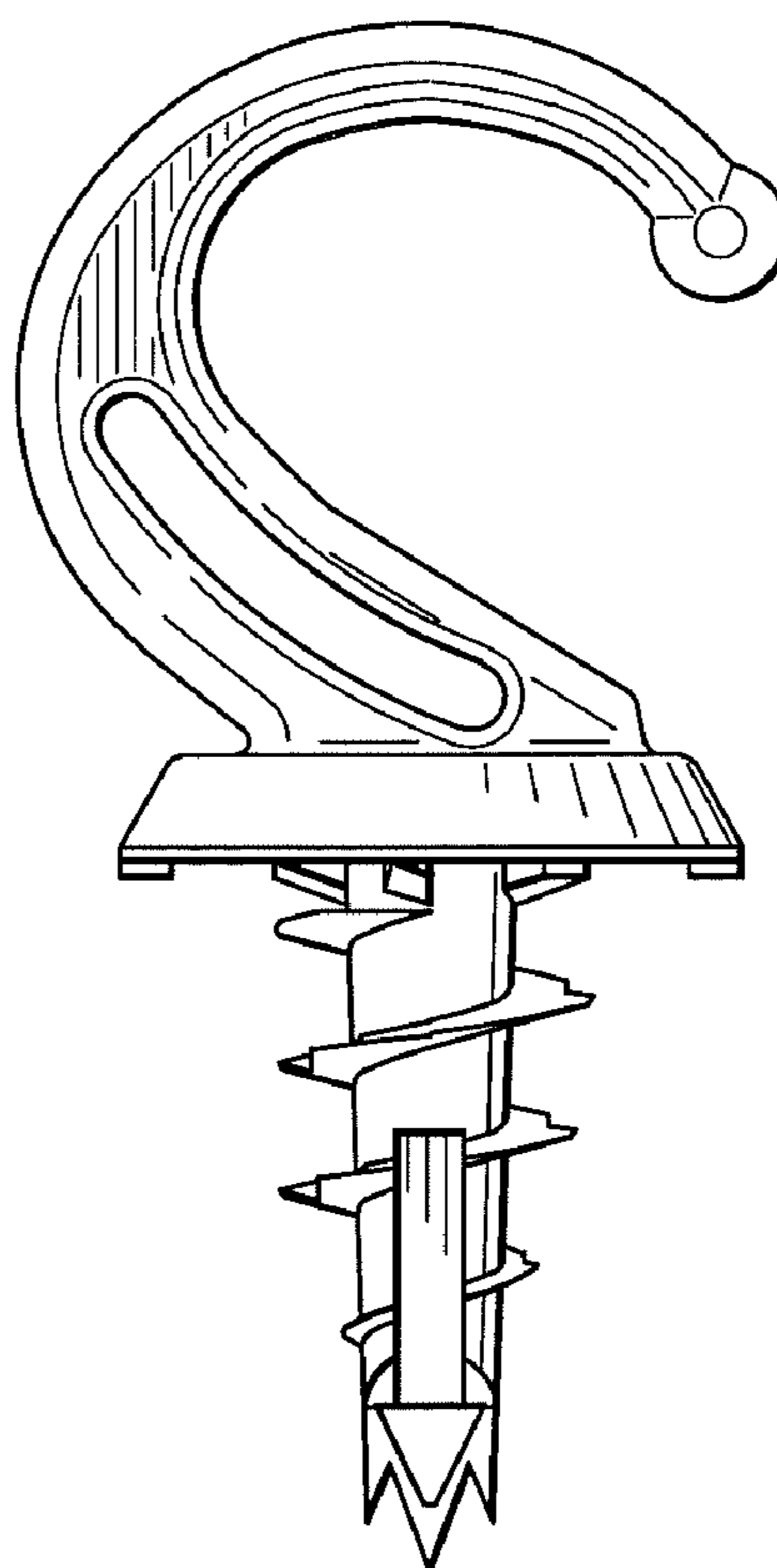
FIG. 6 is a top perspective view of the hook with anchor; and,

FIG. 7 is a bottom perspective view of the hook with anchor.

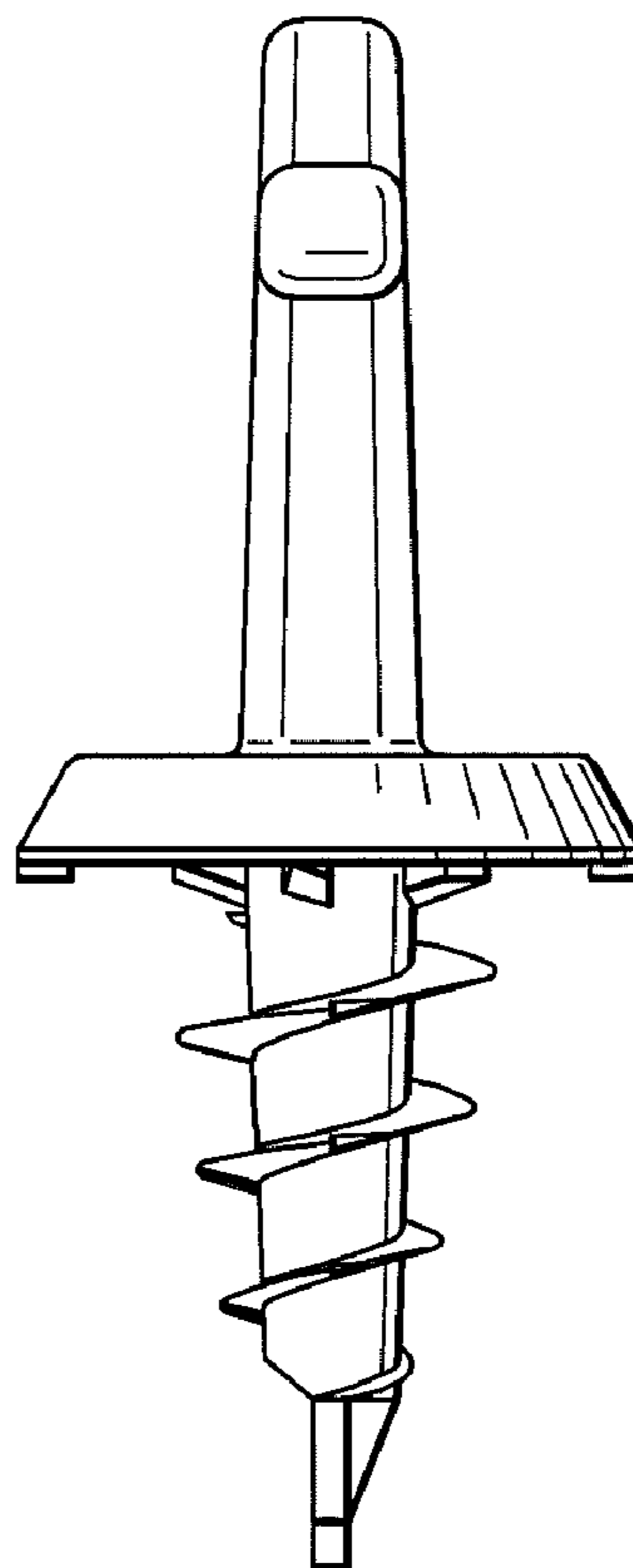
**1 Claim, 3 Drawing Sheets**



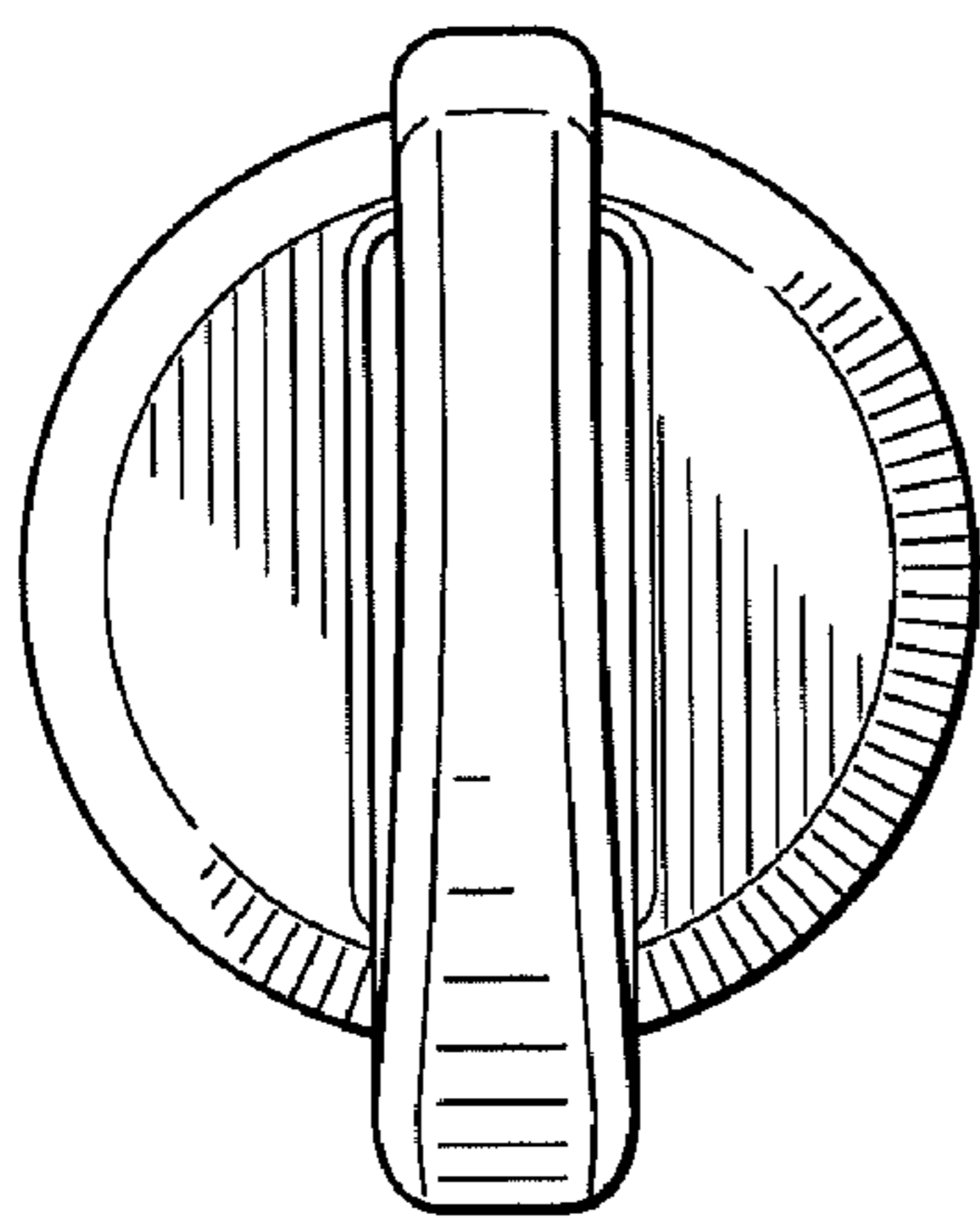
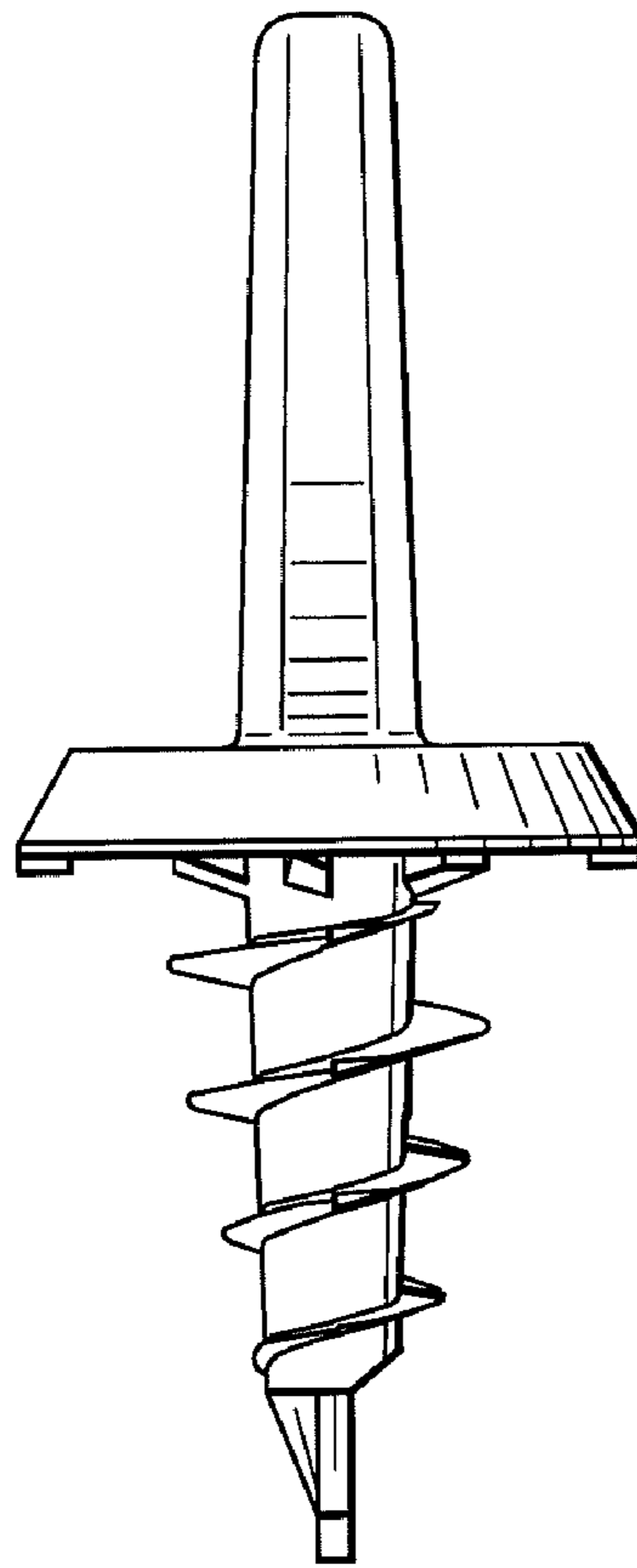
*Fig. 1*



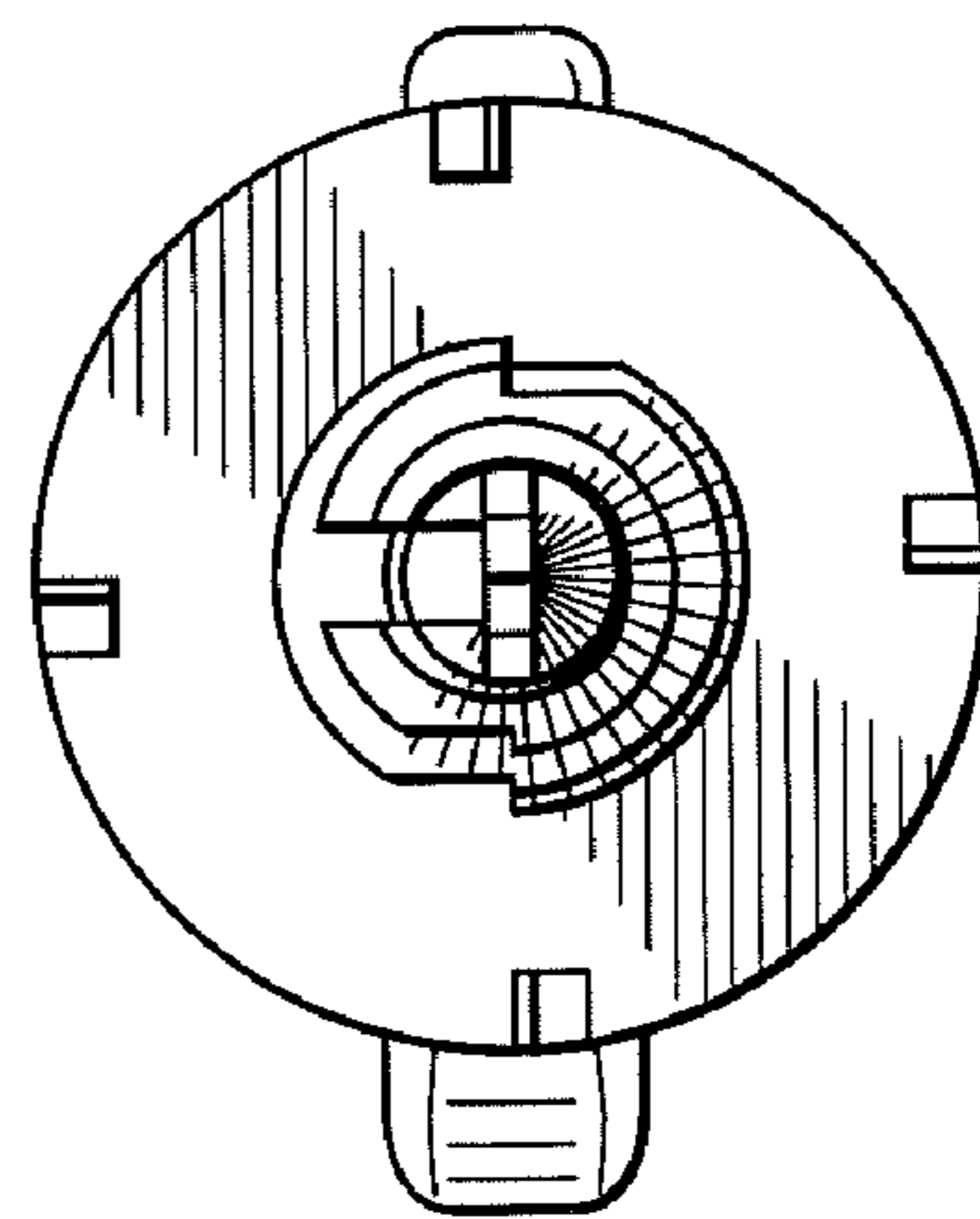
*Fig. 2*



*Fig. 3*

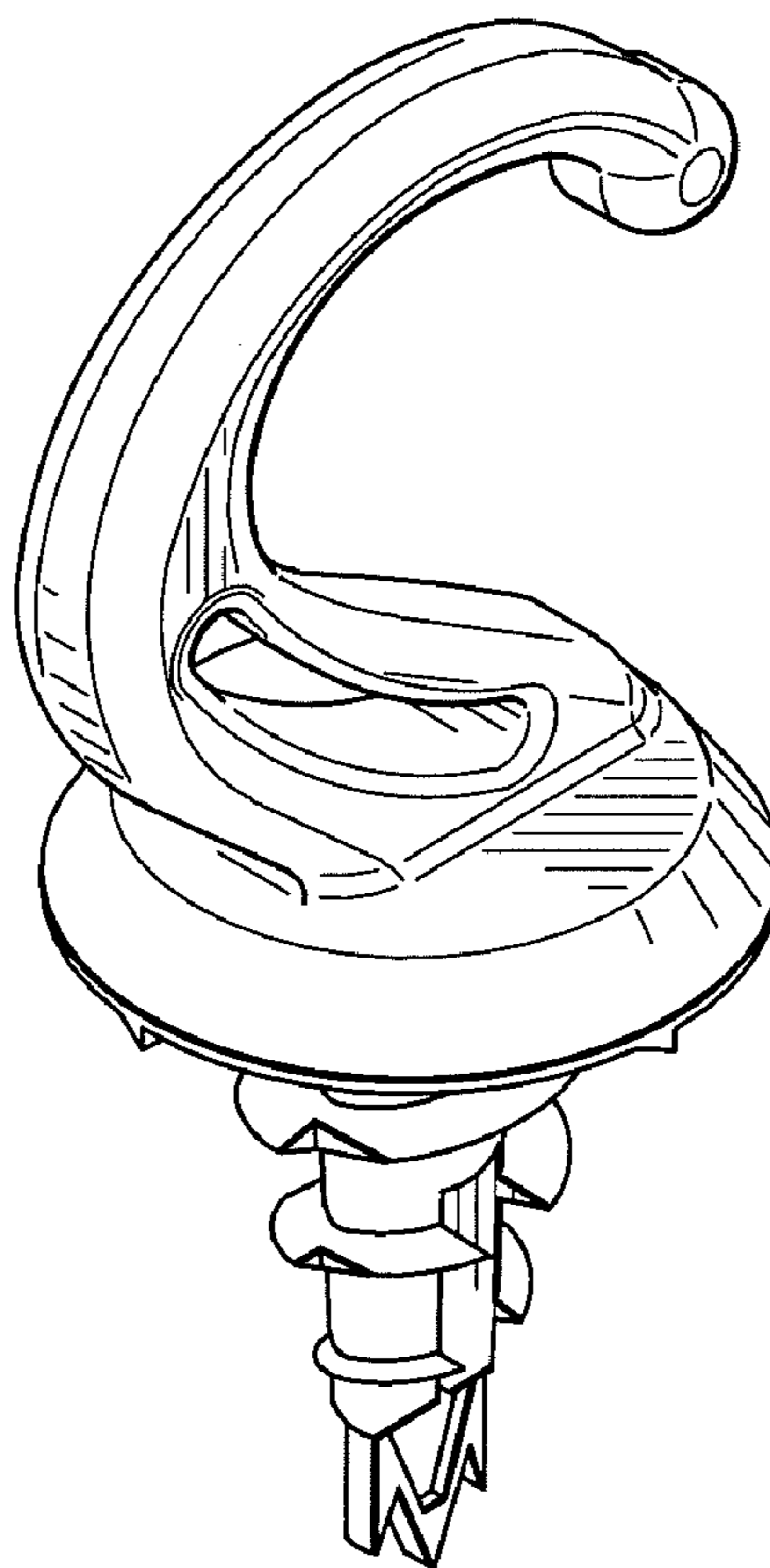


*Fig. 4*



*Fig. 5*

*Fig. 6*



*Fig. 7*

