



US00D590238S

(12) **United States Design Patent**
Richter

(10) **Patent No.:** **US D590,238 S**

(45) **Date of Patent:** **** Apr. 14, 2009**

(54) **TURN DIAL WINDOW MOUNT**

(57) **CLAIM**

(75) Inventor: **Bruce Edward Richter**, Reno, NV (US)

The ornamental design of a turn dial window mount, as shown and as described.

(73) Assignee: **Panavise Products, Inc.**, Reno, NV (US)

(**) Term: **14 Years**

(21) Appl. No.: **29/307,430**

(22) Filed: **Apr. 18, 2008**

(51) **LOC (9) Cl.** **08-05**

(52) **U.S. Cl.** **D8/363**

(58) **Field of Classification Search** D8/354,
D8/363; 248/278.1, 274.1, 284.1
See application file for complete search history.

DESCRIPTION

This turn dial window mount is a window mounting bracket having a lock and unlock dial position for activating the suction cup on its base. The claimed turn dial window mount can be used to attach to various electronic device holders, for holding items such as an MP3 player, ipod, cd Player, cell phone, radio, GPS satellite receiver, or satellite radio receiver. The suction cup base attaches to a window or other surface to hold the item in place.

FIG. 1 is a perspective view from the left side of the turn dial window mount showing the front, side, and top.

FIG. 2 is a perspective view from the right side of the turn dial window mount showing the front, side and top.

FIG. 3 is a side view of the turn dial window mount.

FIG. 4 is a top view of the turn dial window mount.

FIG. 5 is a bottom view of the turn dial window mount.

FIG. 6 is a back view of the turn dial window mount; and,

FIG. 7 is a front view of the turn dial window mount.

The broken lines in FIG. 1 are displaying how an electronic device holder would attach to a turn dial window mount, for illustrative purposes only and form no part of the claimed design.

(56) **References Cited**

U.S. PATENT DOCUMENTS

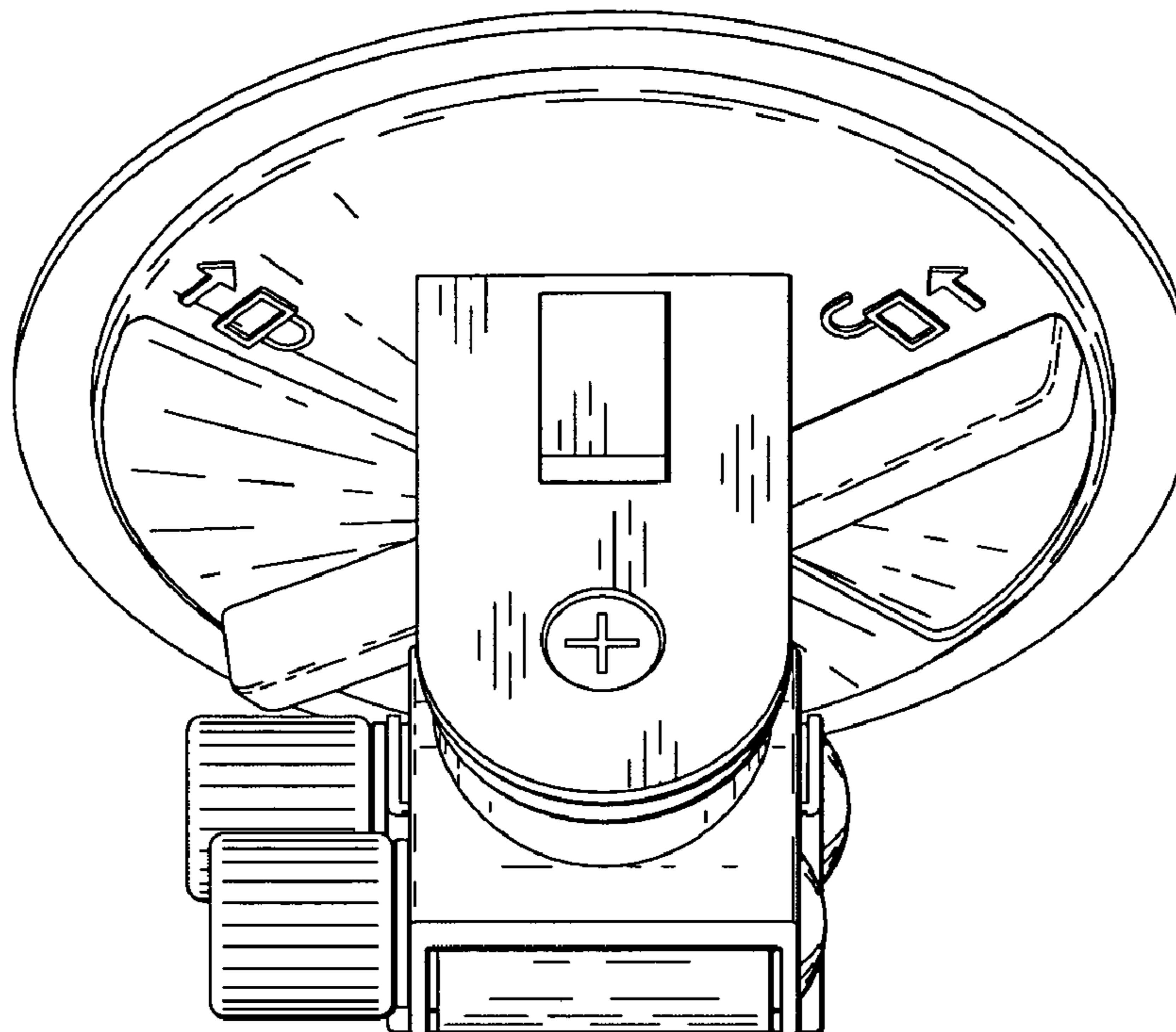
D543,439 S *	5/2007	Brassard	D8/363
7,219,867 B2 *	5/2007	Kalis et al.	248/288.31
D553,957 S *	10/2007	Brassard	D8/363
D553,958 S *	10/2007	Brassard	D8/363
D553,959 S *	10/2007	Brassard	D8/363
D565,938 S *	4/2008	Massoumi et al.	D8/363
D566,530 S *	4/2008	Brassard	D8/363

* cited by examiner

Primary Examiner—Holly H Baynham

(74) *Attorney, Agent, or Firm*—The Walker Law Firm; Allan Grant

1 Claim, 4 Drawing Sheets



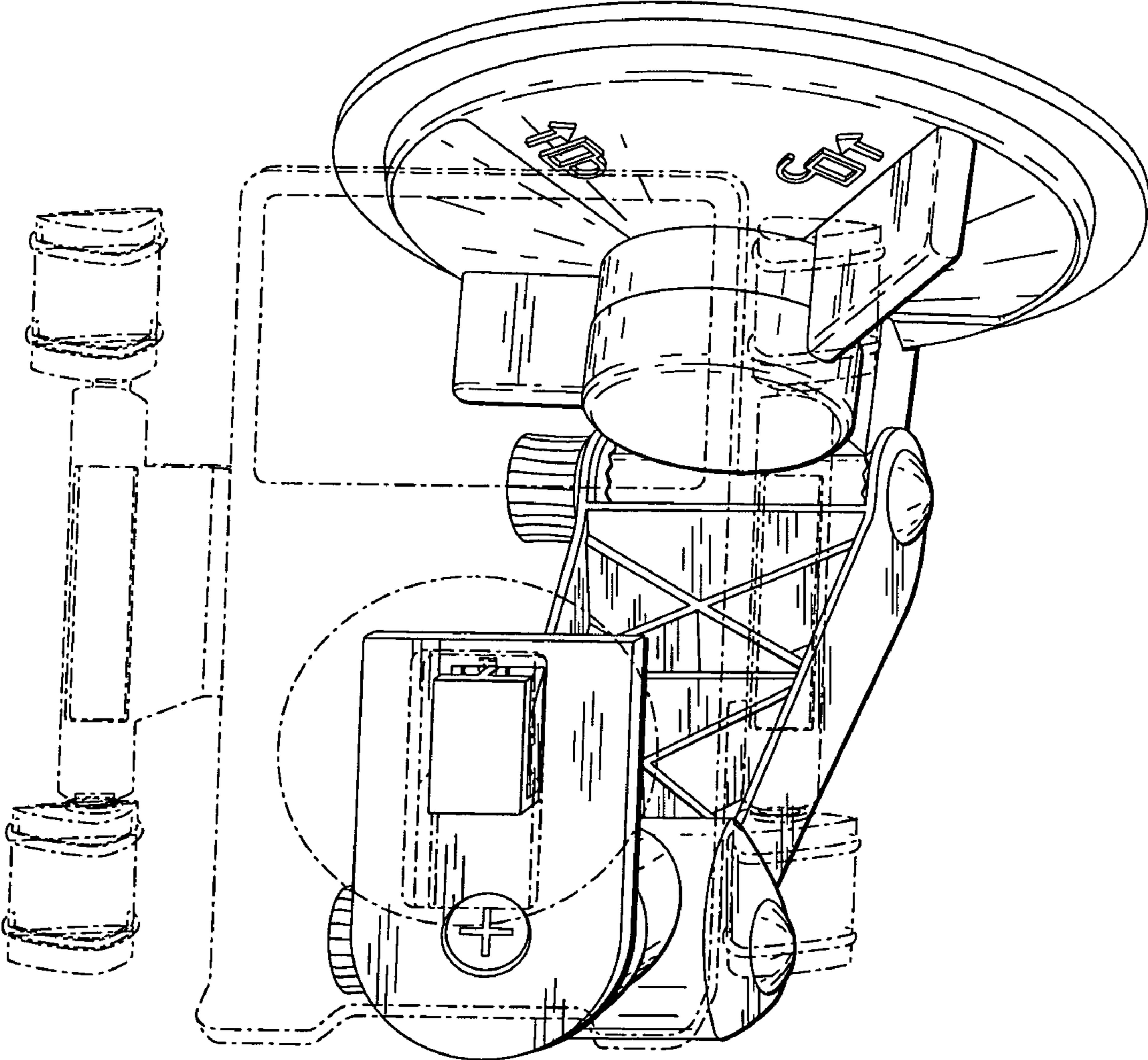


Fig. 1

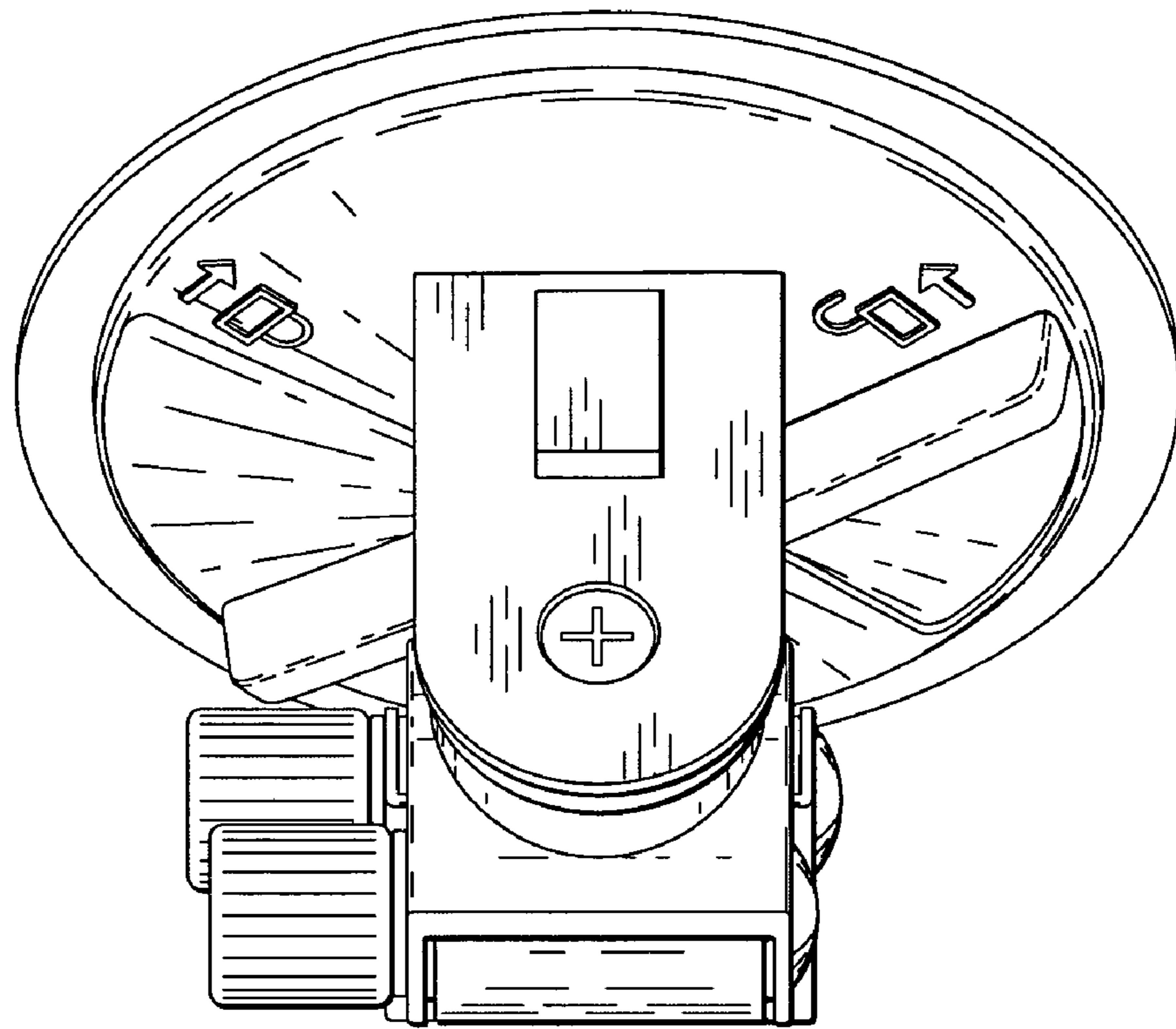


Fig. 2

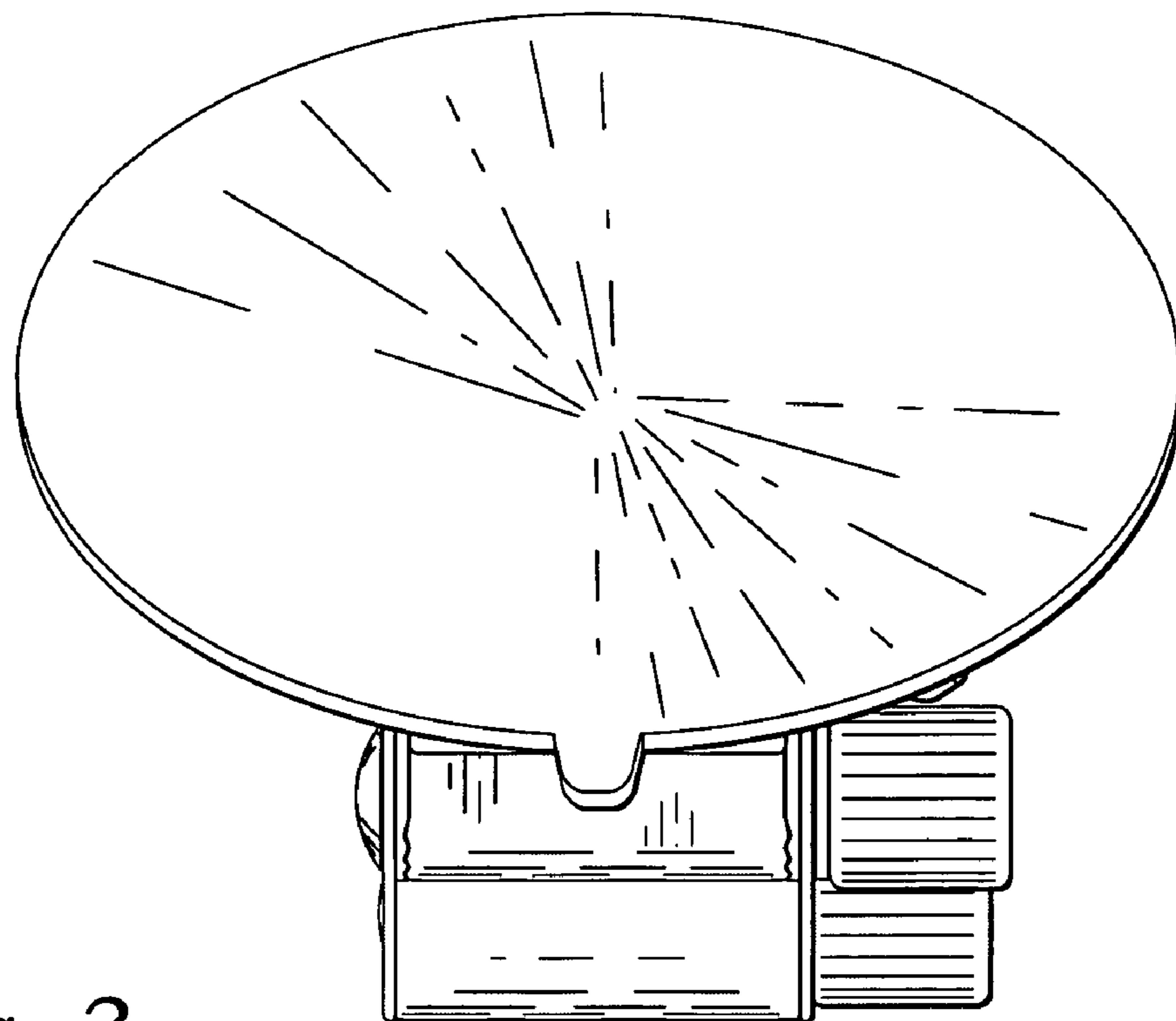


Fig. 3

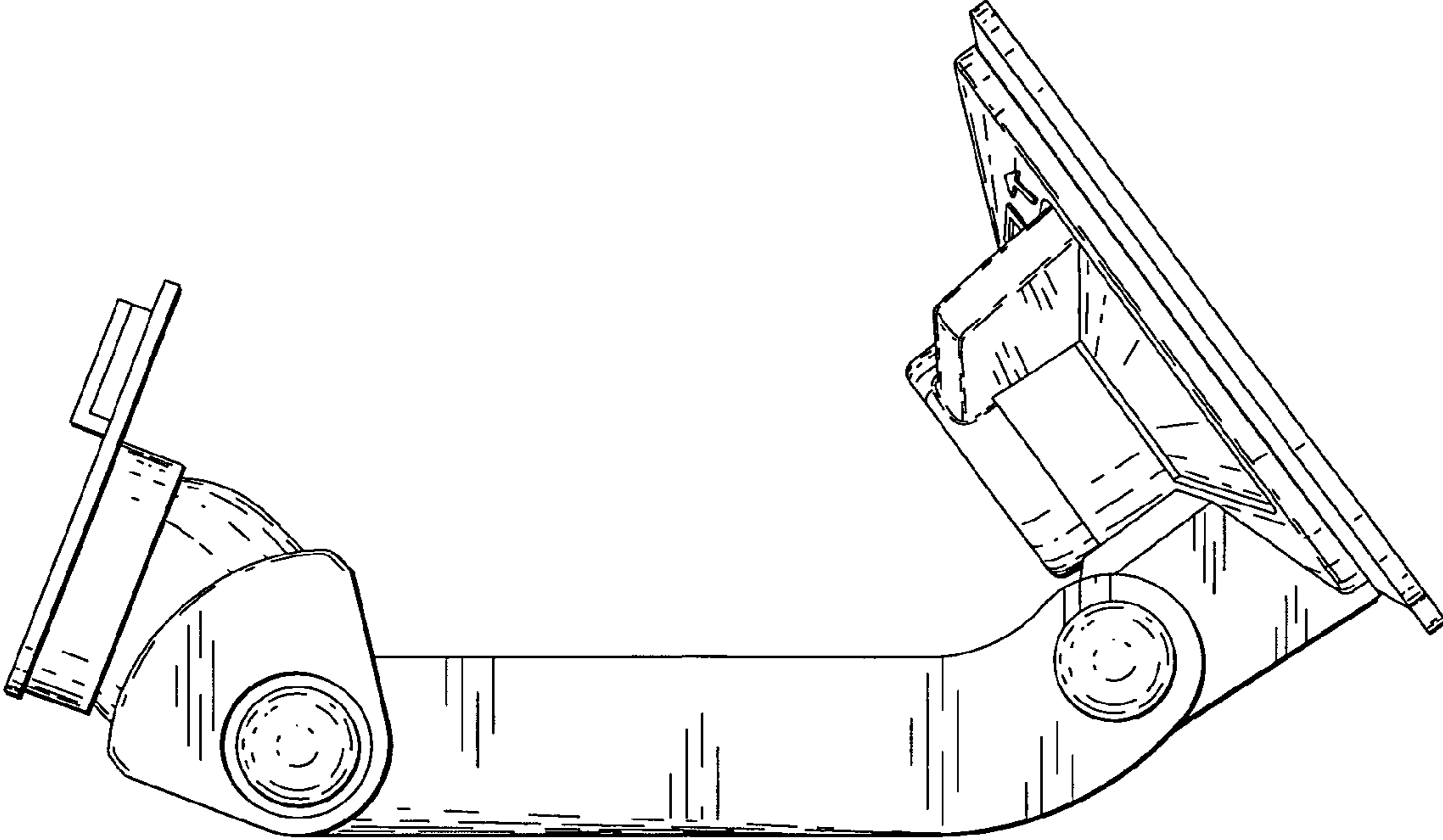


Fig. 4

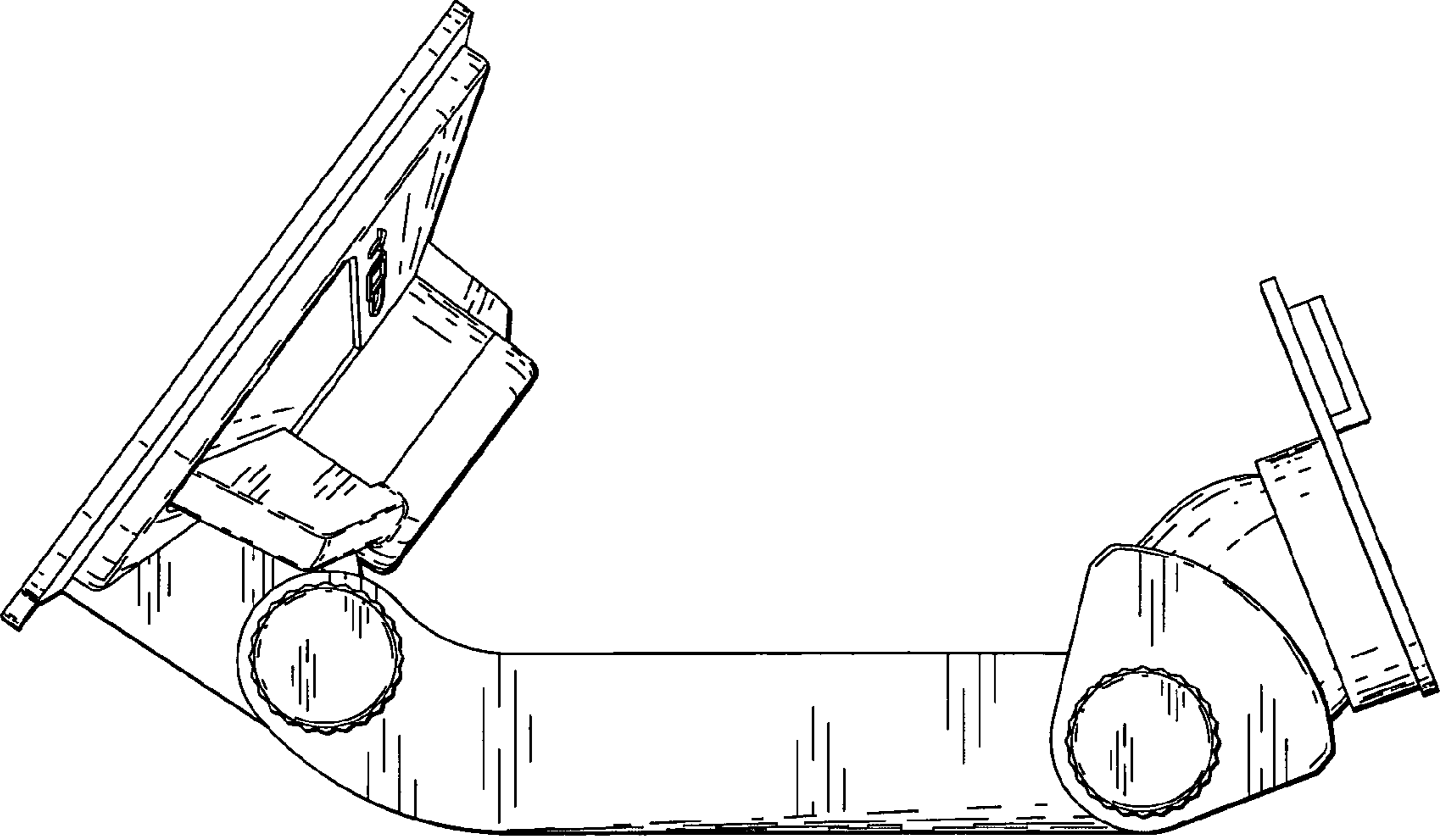


Fig. 5

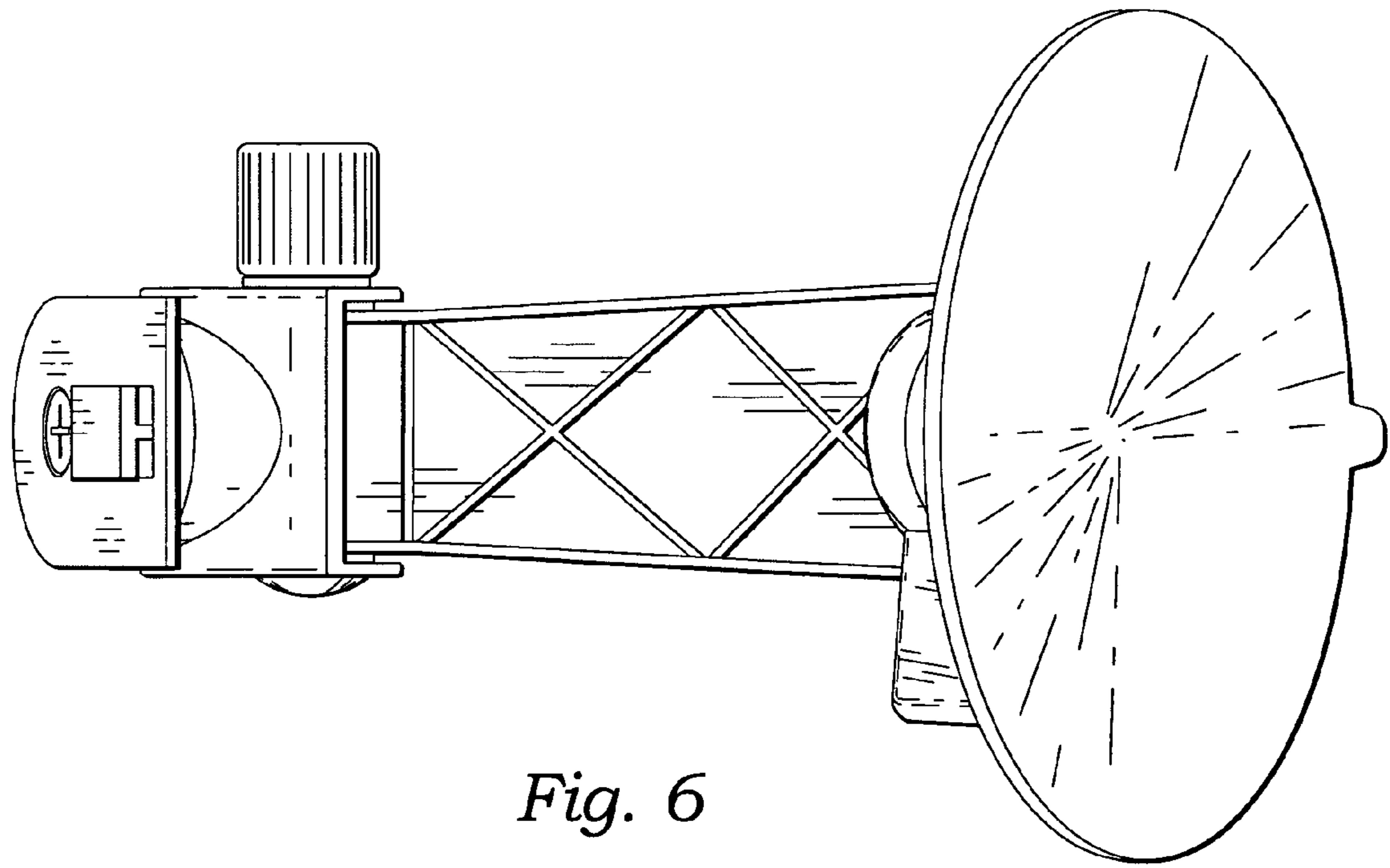


Fig. 6

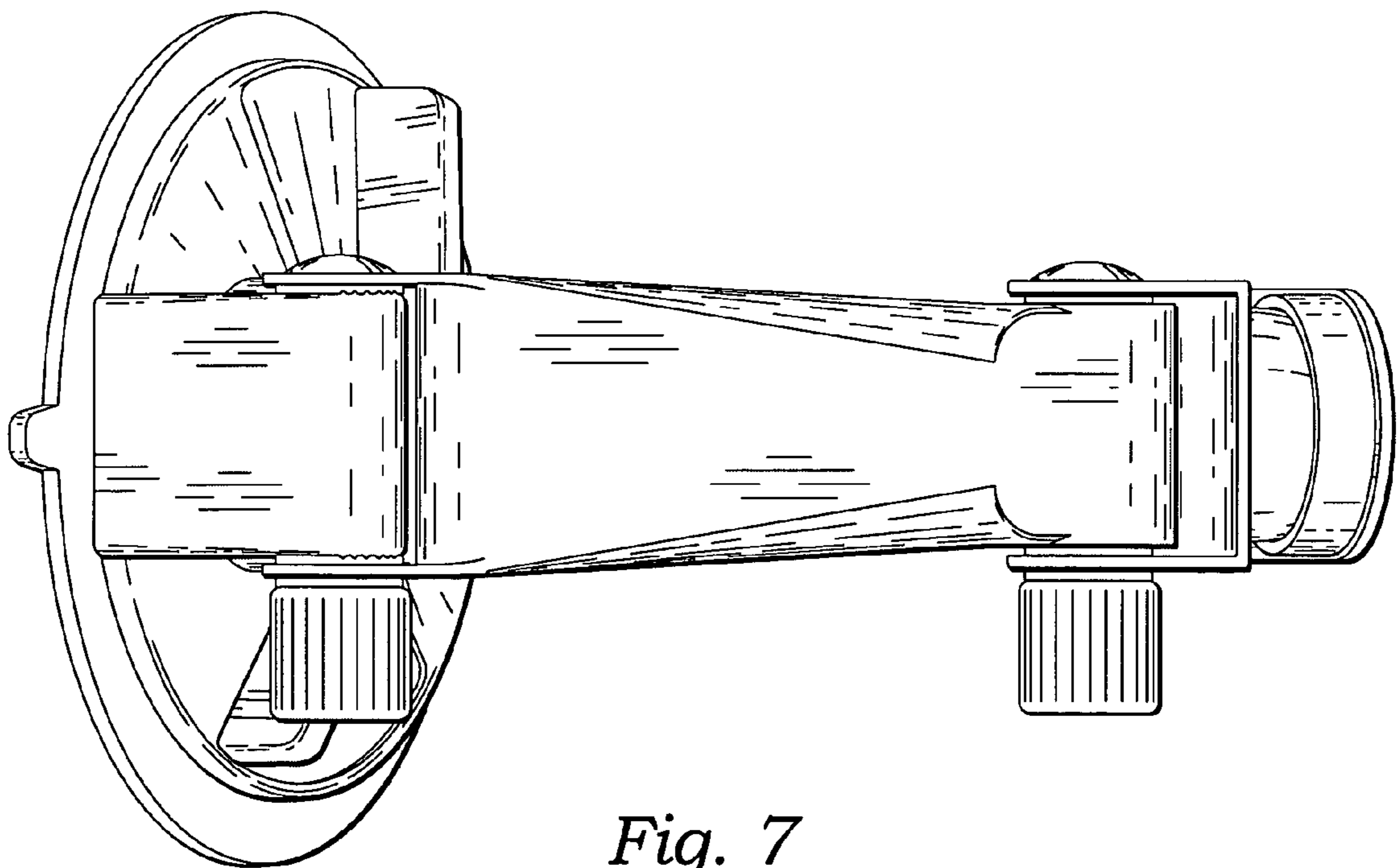


Fig. 7