



US00D590234S

(12) **United States Design Patent**
Wu et al.

(10) **Patent No.:** **US D590,234 S**
(45) **Date of Patent:** **** Apr. 14, 2009**

(54) **RECESSED COMPRESSION LATCH**

(75) Inventors: **Michael Wu**, West Covina, CA (US);
Tam Thanh Le, El Monte, CA (US);
Everardo Hernandez, Los Angeles, CA (US)

(73) Assignee: **S.P.E.P. Acquisition Corp.**, Rancho Dominguez, CA (US)

(**) Term: **14 Years**

(21) Appl. No.: **29/327,095**

(22) Filed: **Oct. 30, 2008**

Related U.S. Application Data

(62) Division of application No. 29/278,748, filed on Apr. 9, 2007, now Pat. No. Des. 585,724.

(51) **LOC (9) Cl.** **08-07**

(52) **U.S. Cl.** **D8/331**

(58) **Field of Classification Search** D8/300,
D8/301, 302, 330, 331, 333, 338, 344, 342,
D8/343; 70/28, 68, 141, 77-79, 84, 94, 96,
70/97, 104, 102, 206, 208, 210; 292/54-66,
292/70, 75, 143, 175, 336.3

See application file for complete search history.

(56) **References Cited**

U.S. PATENT DOCUMENTS

D324,636 S * 3/1992 Schlack et al. D8/331
D370,620 S * 6/1996 Ziemer D8/341
D452,808 S * 1/2002 Kyle D8/331
D459,192 S * 6/2002 Weinerman et al. D8/338
D489,959 S * 5/2004 Jackson et al. D8/331
D508,120 S * 8/2005 Chen D23/377
D530,181 S * 10/2006 Straka et al. D8/301

D536,949 S * 2/2007 Weinerman et al. D8/331
7,313,937 B2 * 1/2008 Straka, Jr. 70/137
2005/0183477 A1 * 8/2005 Straka, Jr. 70/208
2005/0183478 A1 * 8/2005 Straka, Jr. 70/208

* cited by examiner

Primary Examiner—Prabhakar Deshmukh

(74) *Attorney, Agent, or Firm*—Christie, Parker & Hale, LLP.

(57) **CLAIM**

The ornamental design for recessed compression latch, as shown and described.

DESCRIPTION

FIG. 1 is a top front isometric view of a recessed compression latch in a handle open position showing our new design;

FIG. 2 is a front view thereof;

FIG. 3 is a left side view thereof;

FIG. 4 is a rear view thereof;

FIG. 5 is a right side view thereof;

FIG. 6 is a top view thereof;

FIG. 7 is a top front isometric view of the first embodiment of the recessed compression latch of FIG. 1 but in a handle closed position;

FIG. 8 is a front view thereof;

FIG. 9 is a left side view thereof;

FIG. 10 is a rear view thereof;

FIG. 11 is a right side view thereof; and,

FIG. 12 is a top view thereof.

The broken lines shown in the drawings disclosure are for illustrative purposes only and form no part of the claimed design.

1 Claim, 12 Drawing Sheets

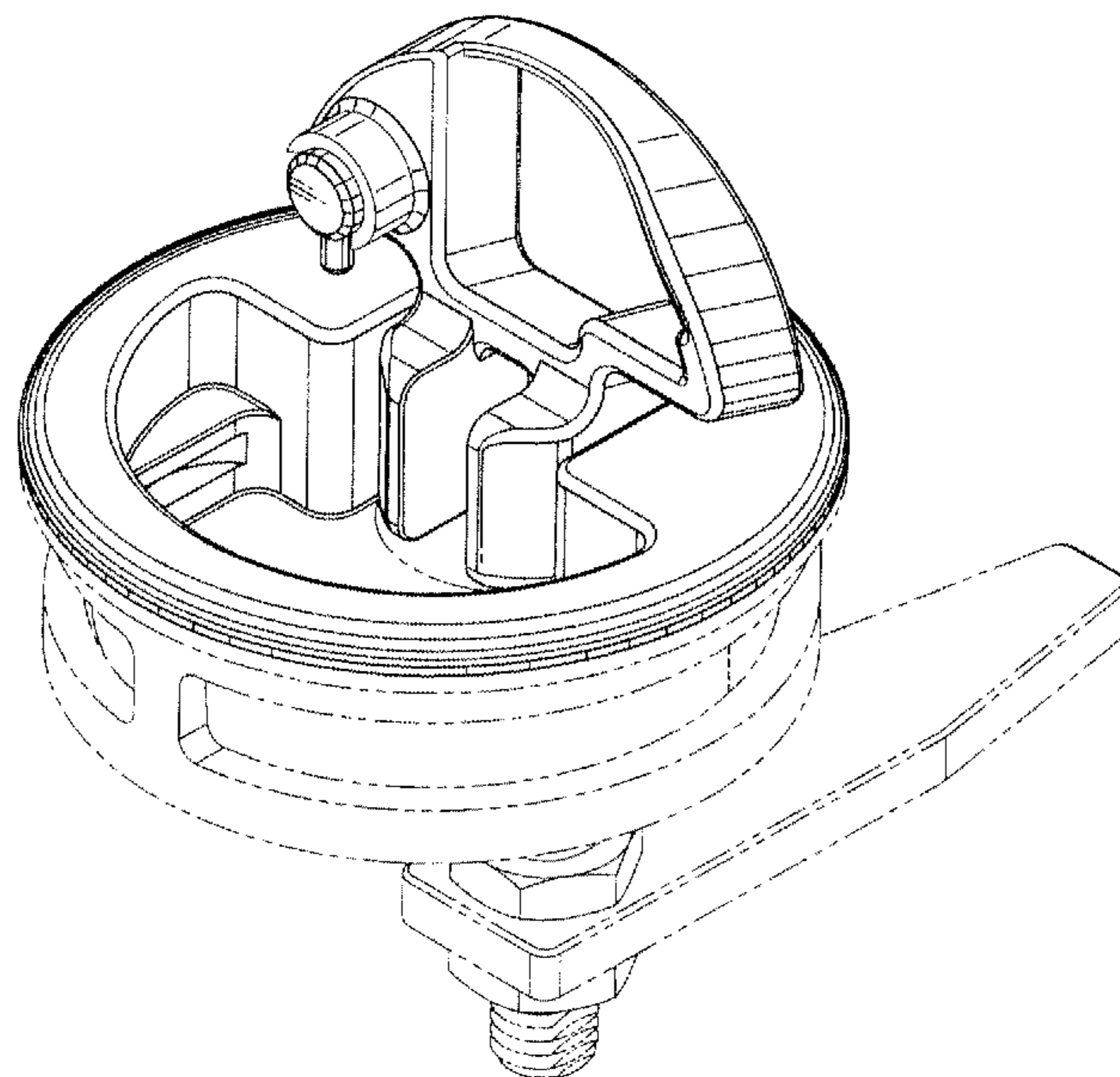


FIG. 1

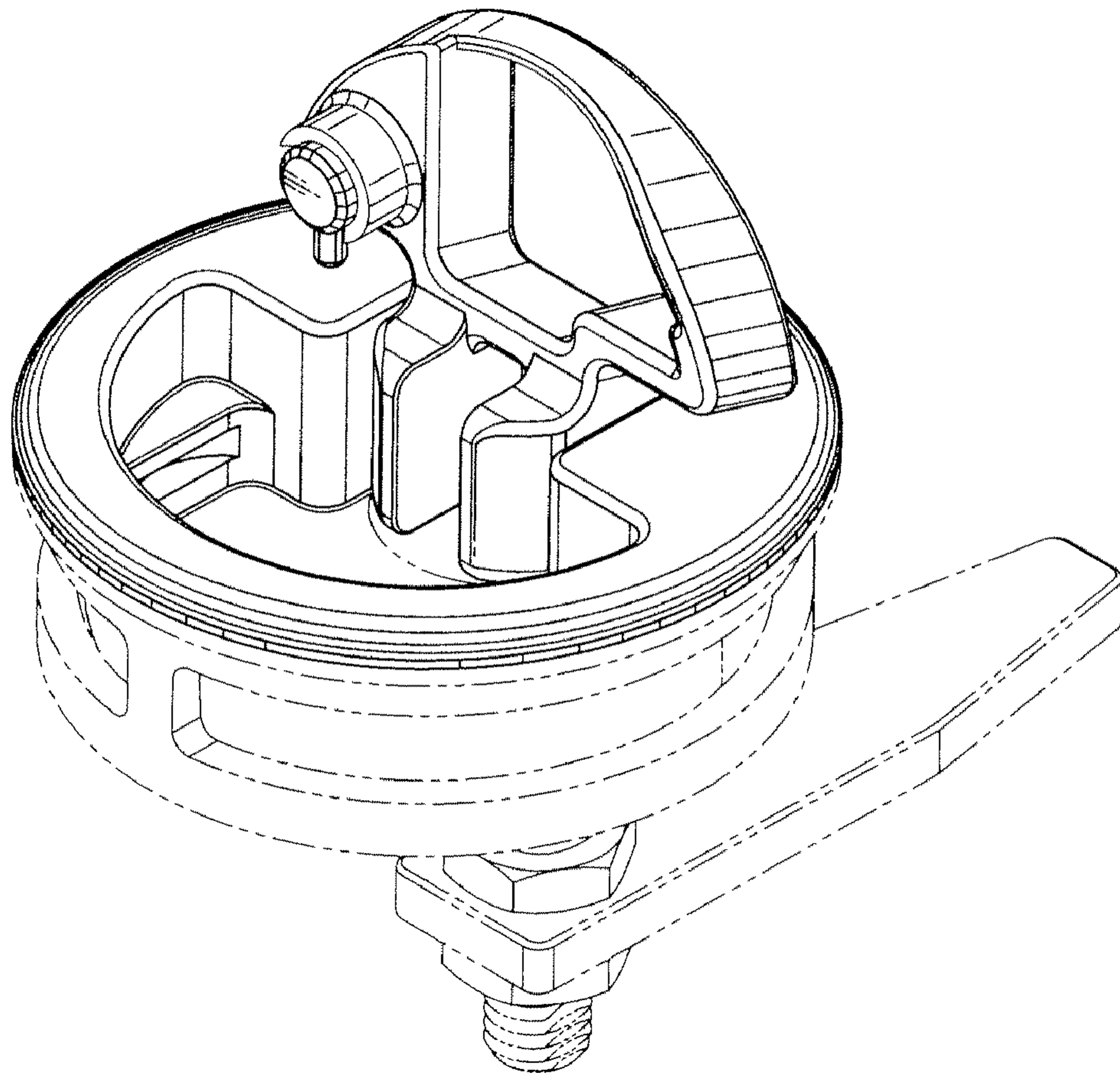


FIG. 2

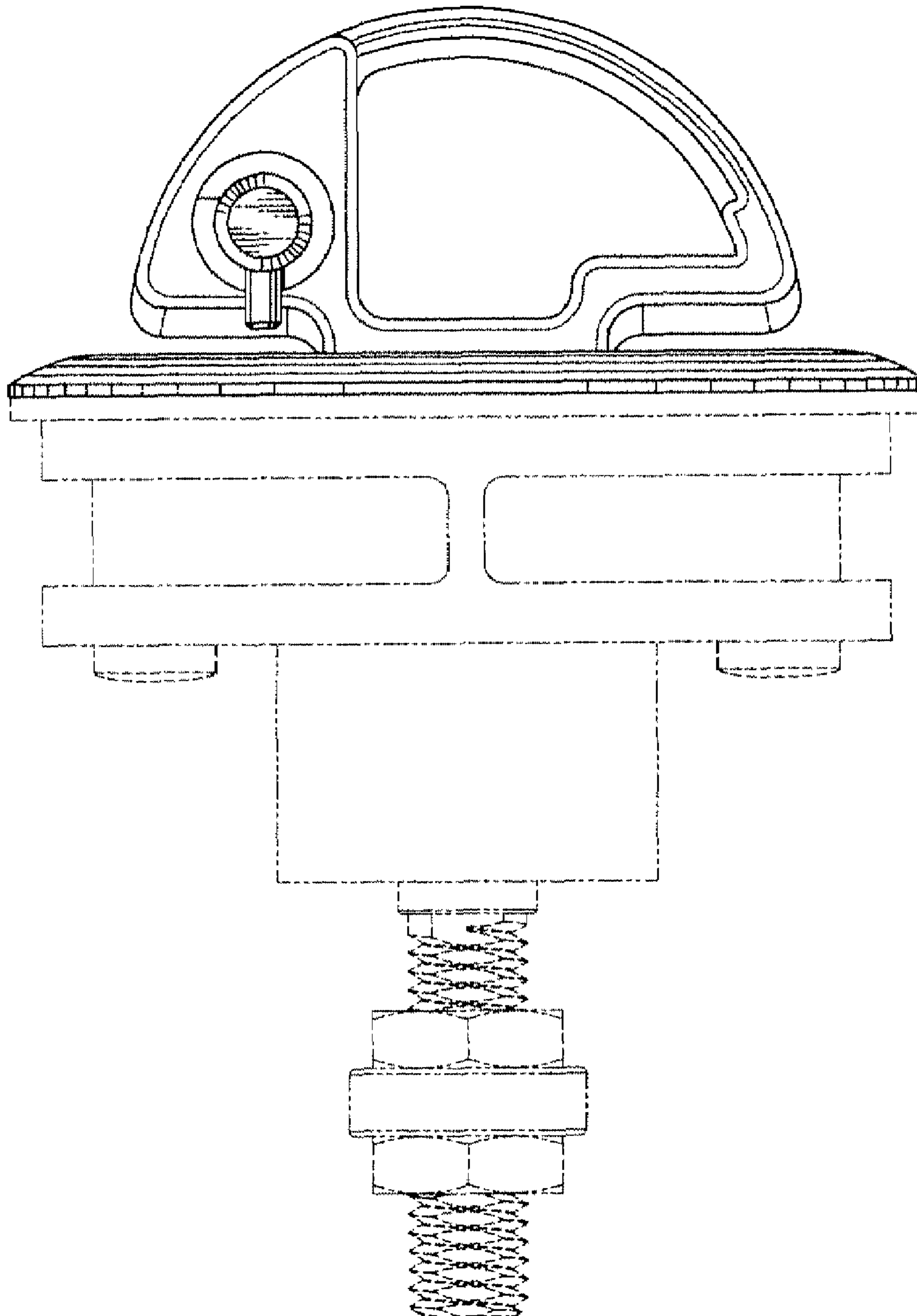


FIG. 3

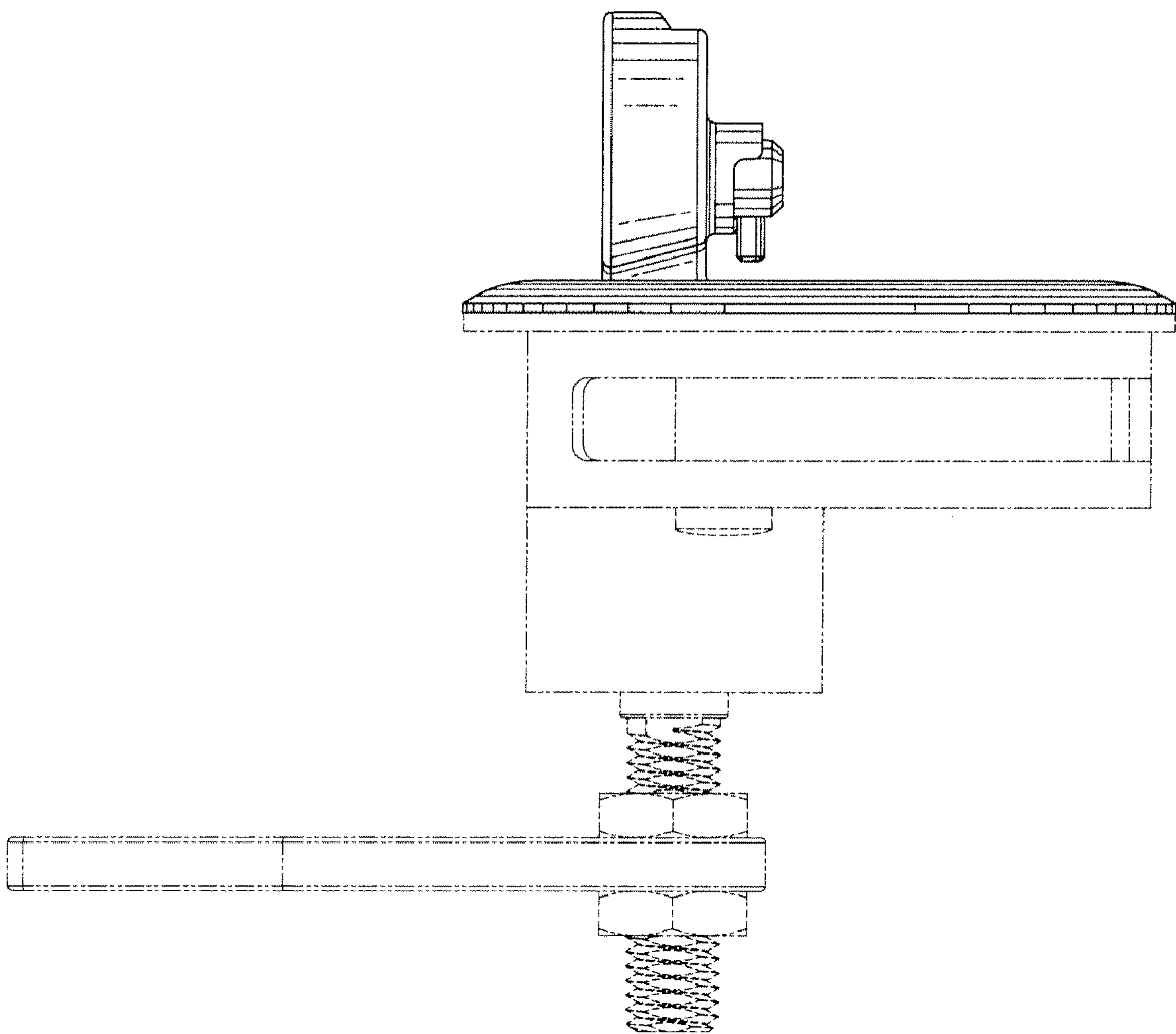


FIG. 4

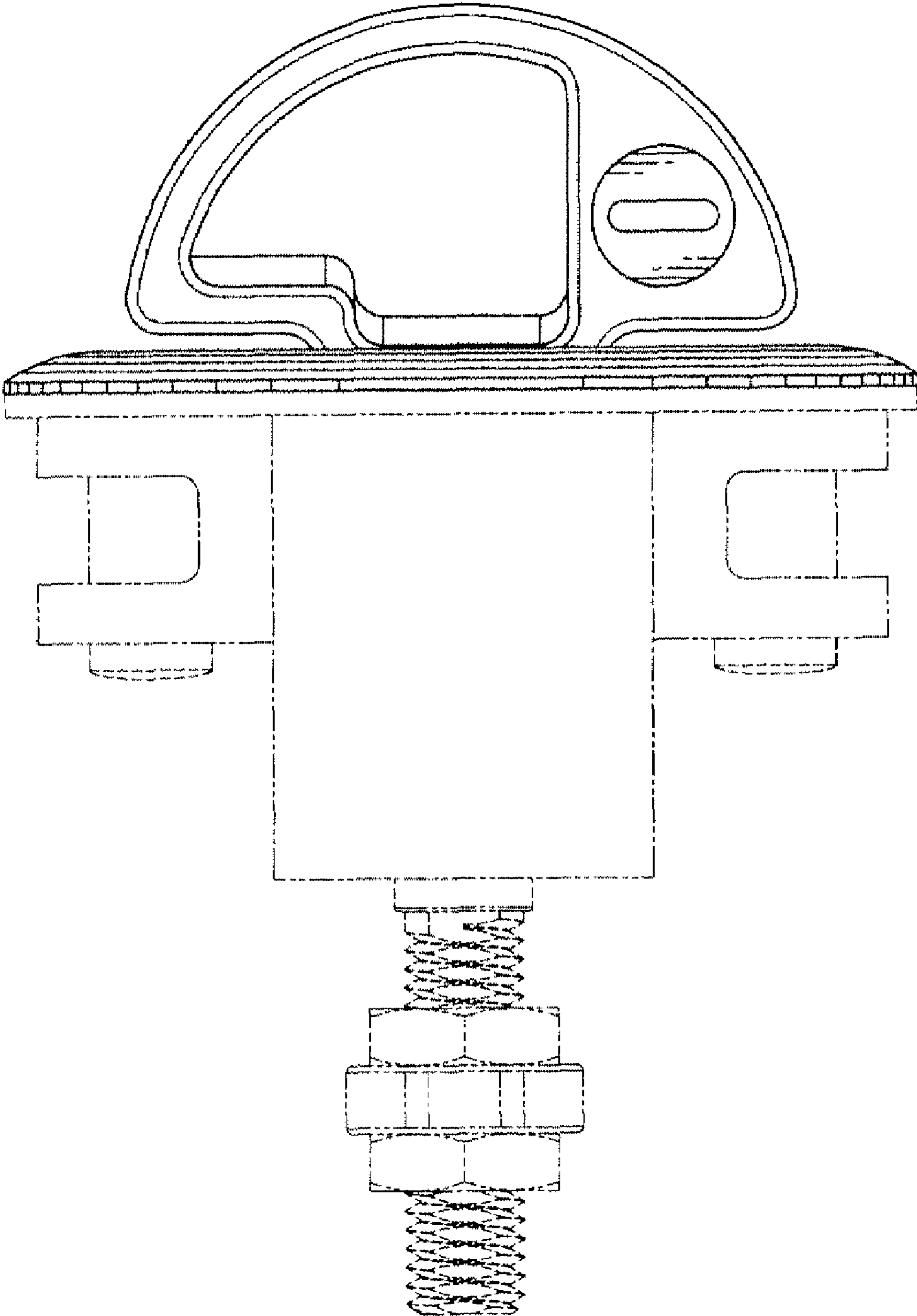


FIG. 5

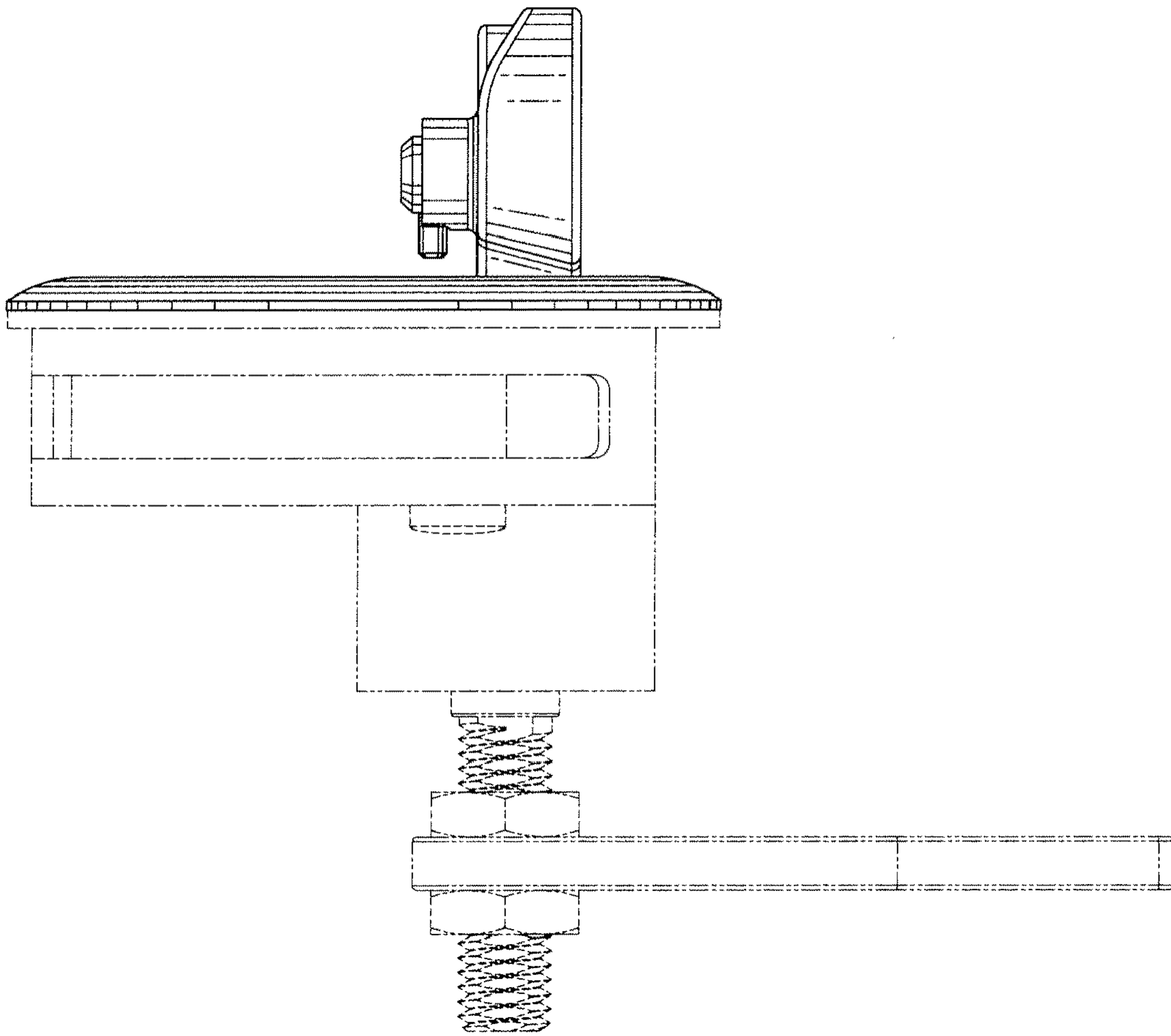


FIG. 6

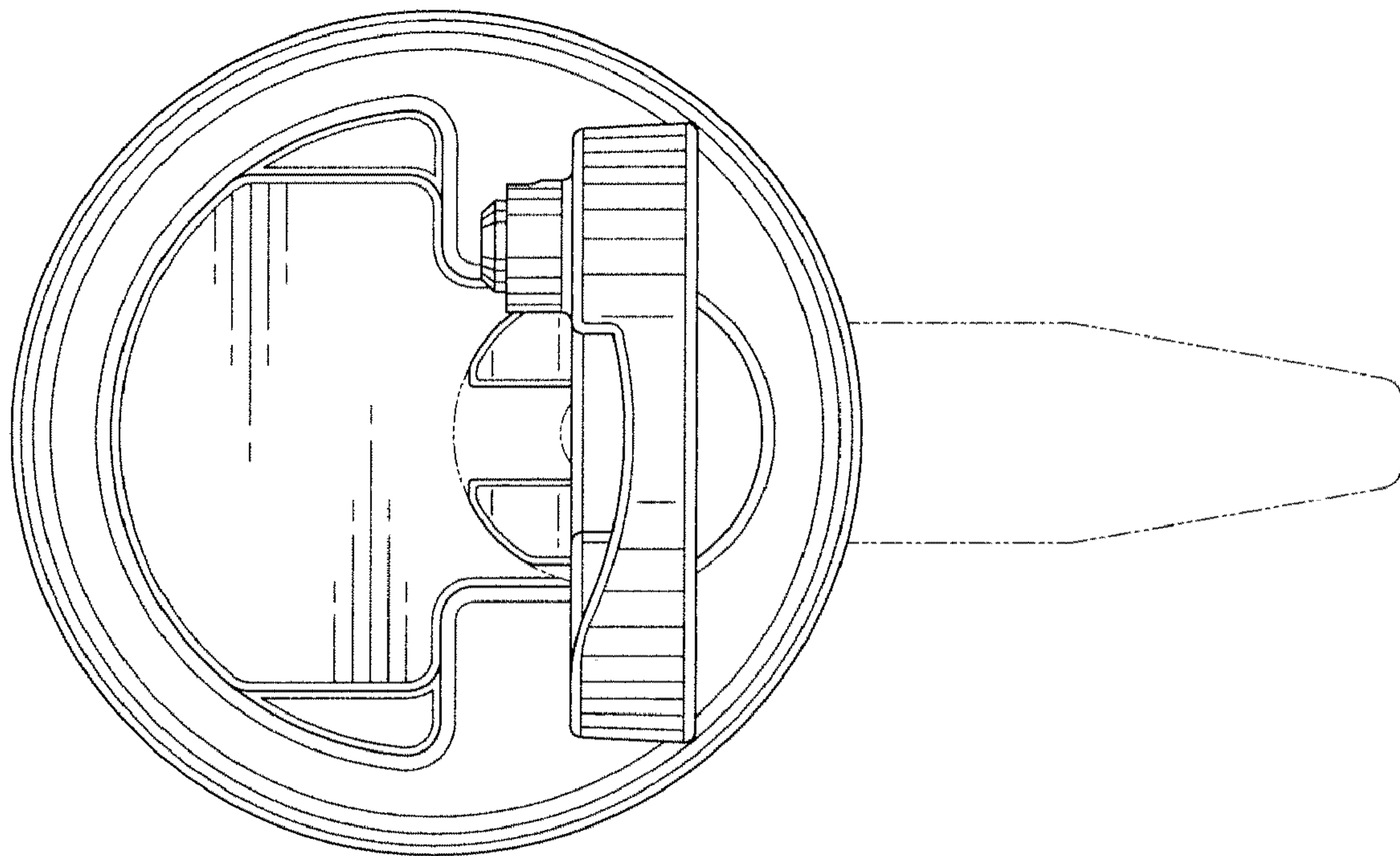


FIG. 7

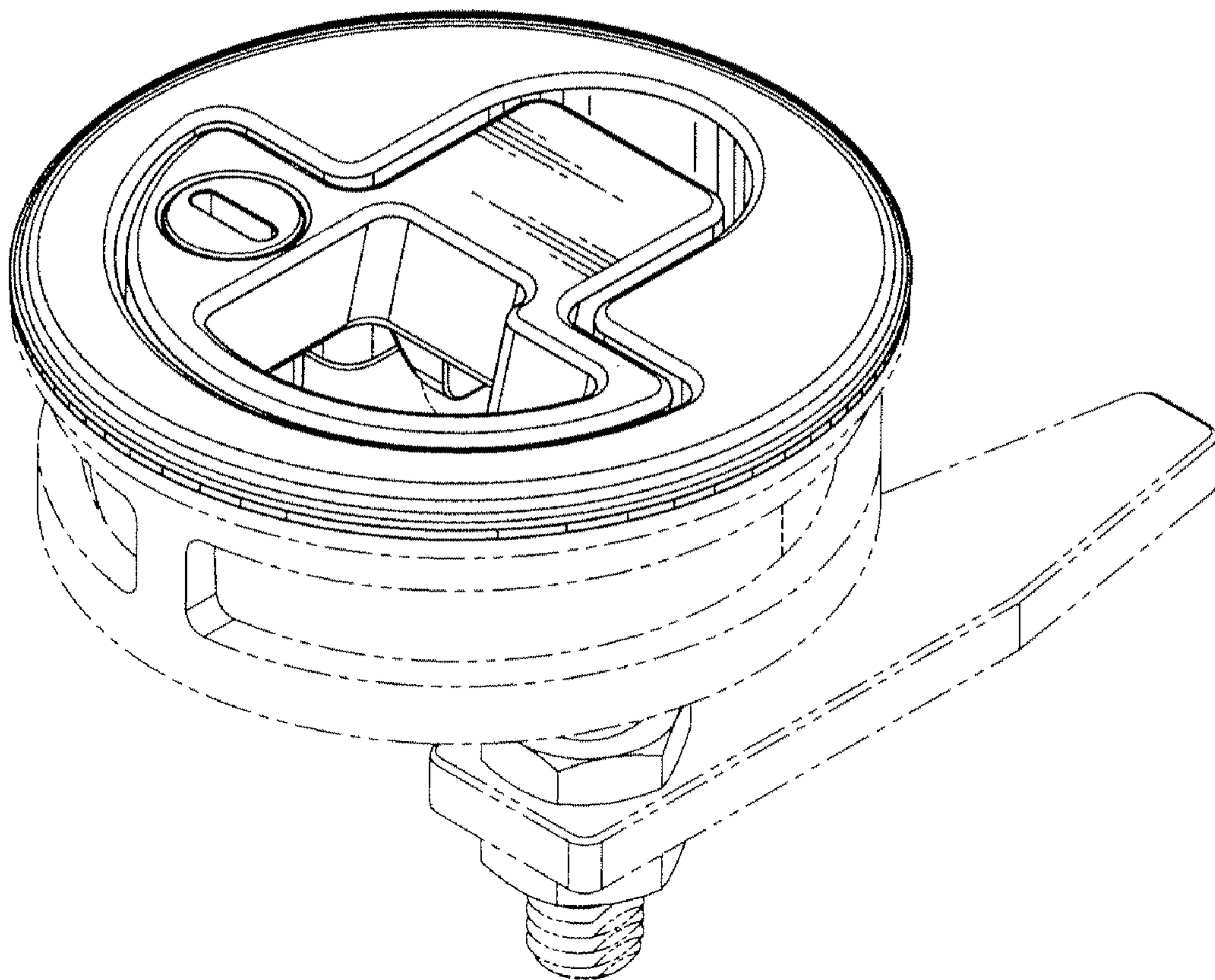


FIG. 8

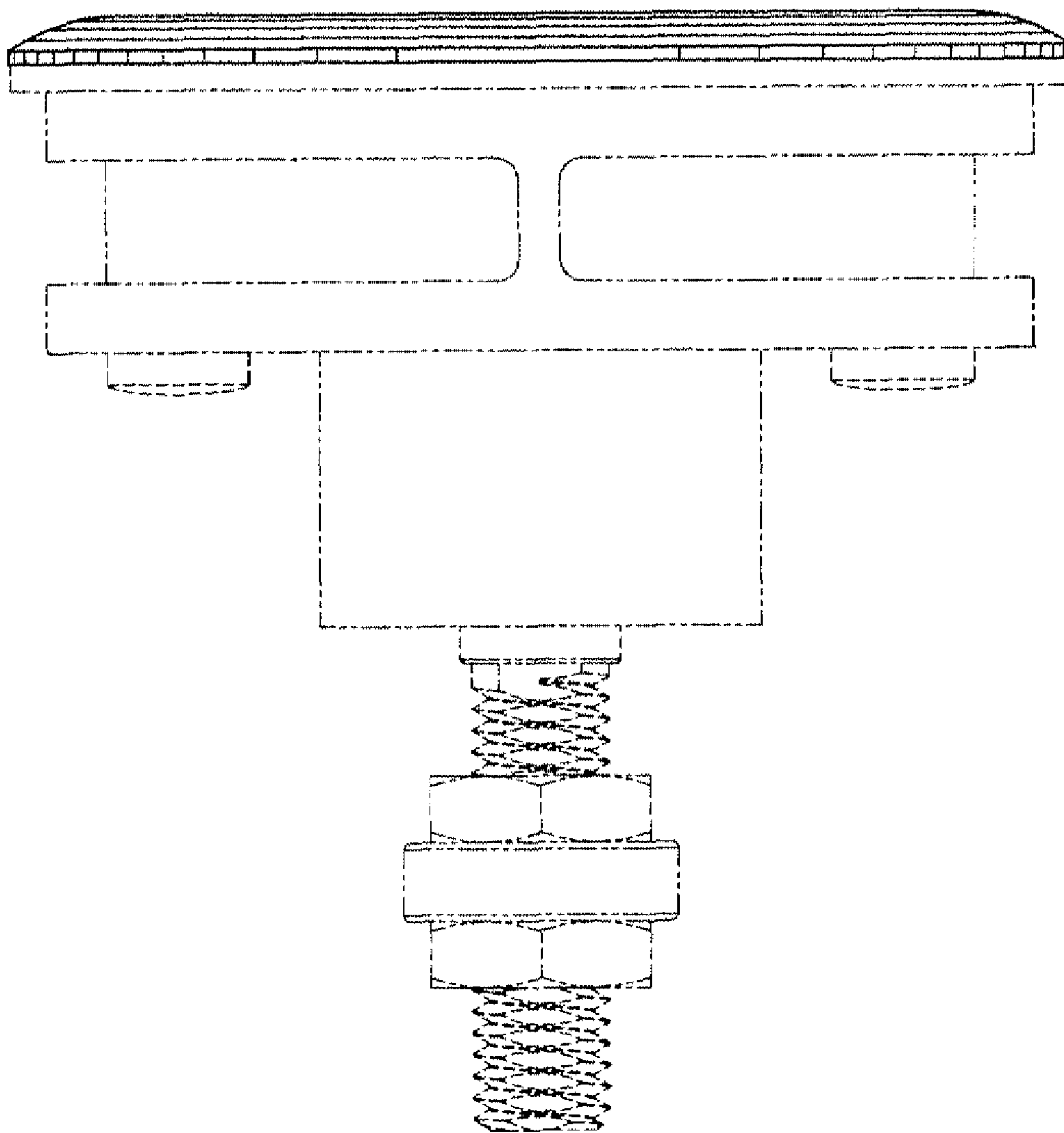


FIG. 9

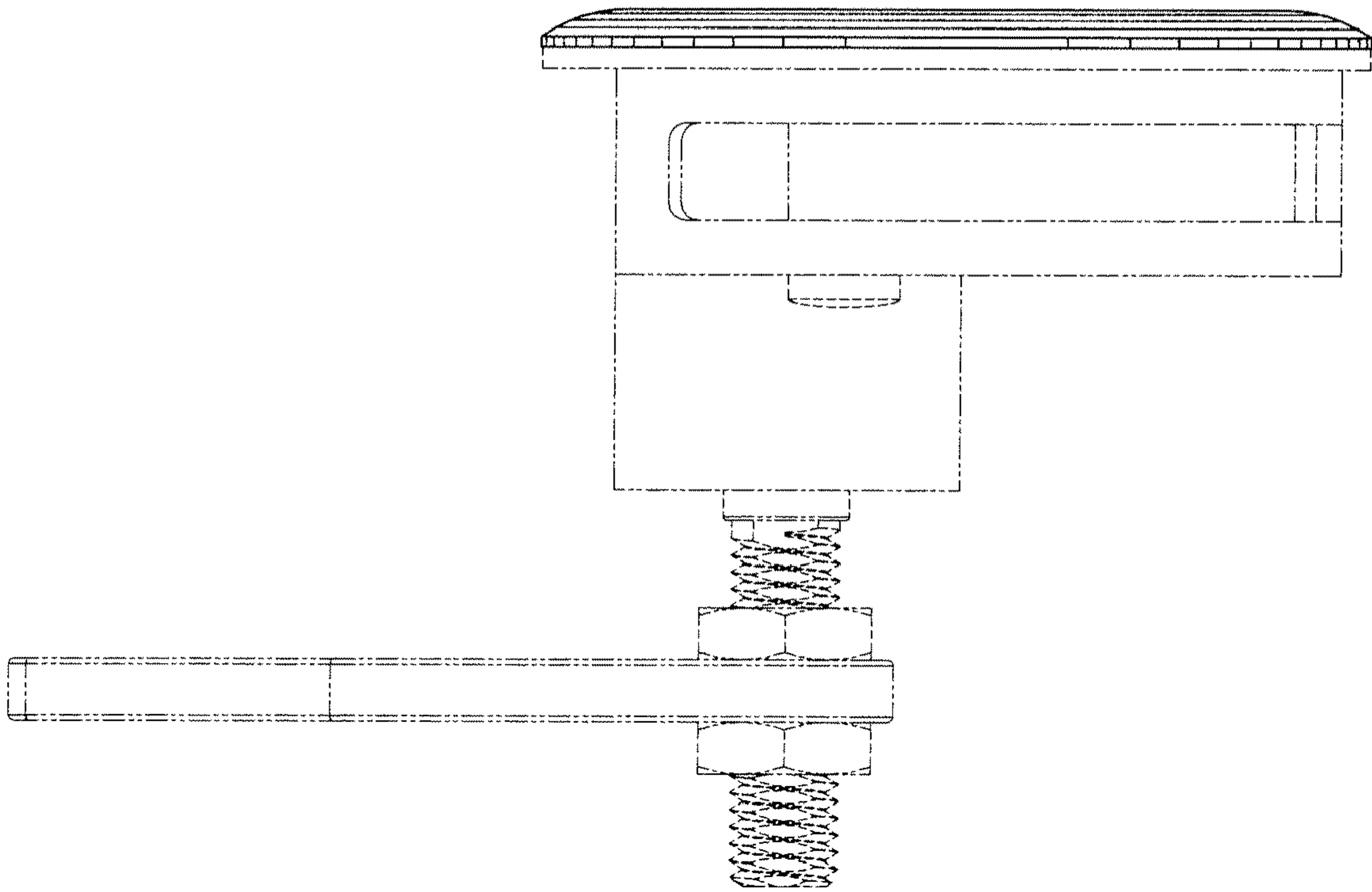


FIG. 10

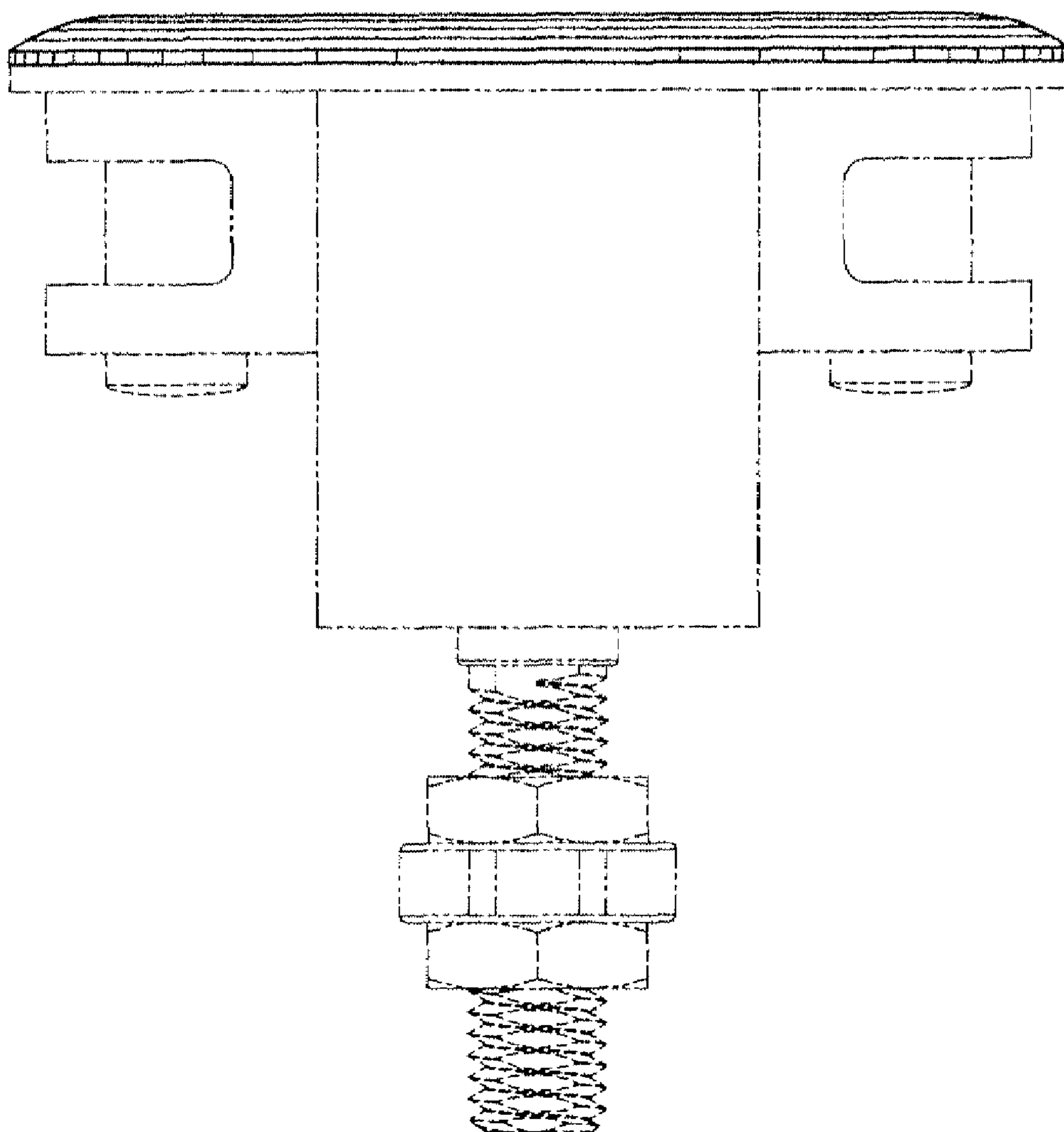


FIG. 11

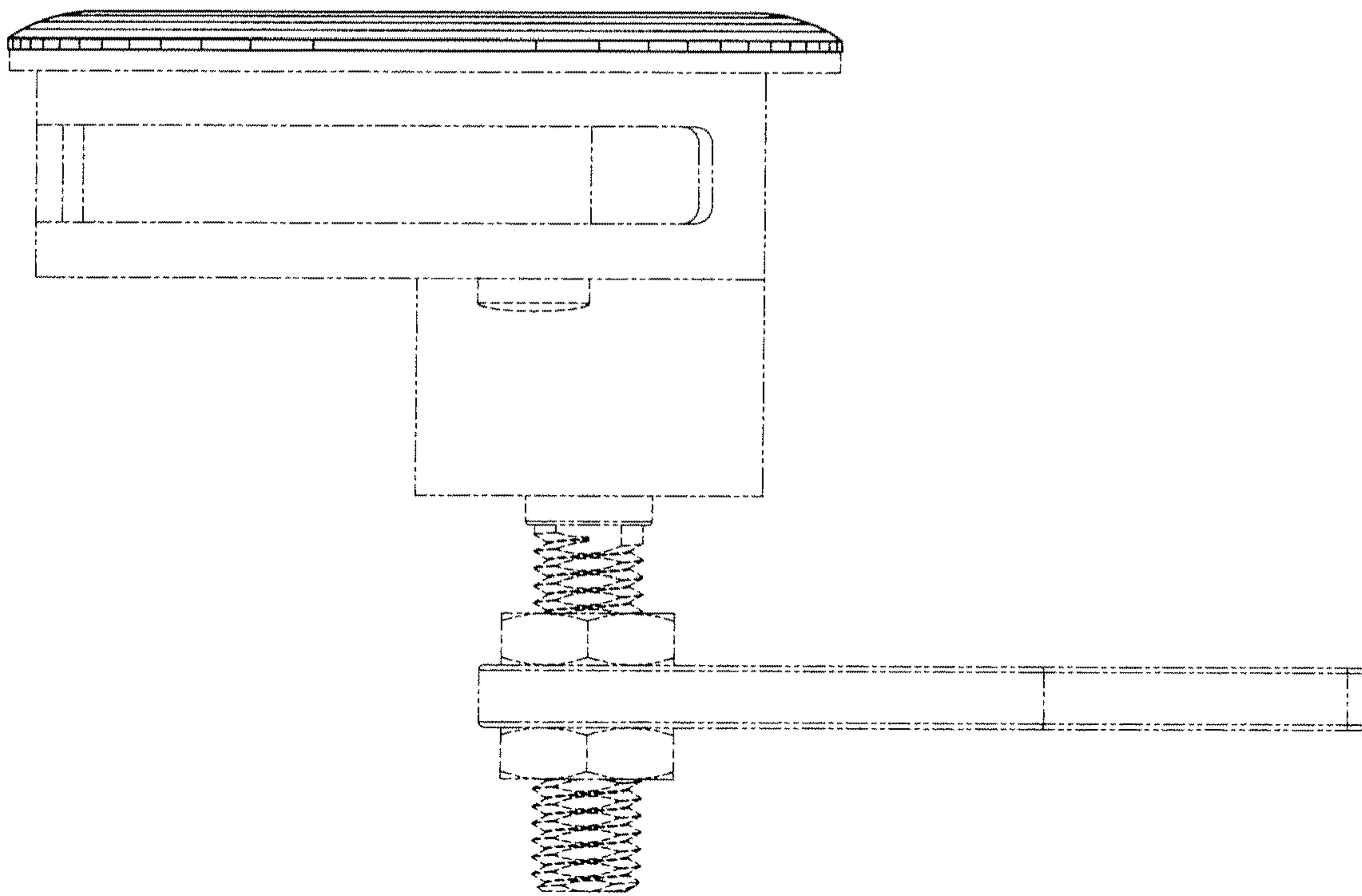


FIG. 12

