

US00D590232S

(12) **United States Design Patent**  
**Demers et al.**

(10) **Patent No.:** **US D590,232 S**  
(45) **Date of Patent:** **\*\* Apr. 14, 2009**

(54) **TOOL KNOB**

FOREIGN PATENT DOCUMENTS

(75) Inventors: **Brian Joseph Demers**, Huntersville, NC (US); **Joseph Allen Berlepsch**, Mooresville, NC (US)

EM 000702089-0002 6/2007  
JP D1253453 10/2005

(Continued)

(73) Assignee: **Lowe's Companies, Inc.**, Mooresville, NC (US)

OTHER PUBLICATIONS

(\*\*) Term: **14 Years**

Taiwanese Search Report for Design Application No. 096301910, dated Nov. 26, 2008.

(21) Appl. No.: **29/249,386**

*Primary Examiner*—Cathron C Brooks  
*Assistant Examiner*—Barbara Fox

(22) Filed: **Oct. 4, 2006**

(74) *Attorney, Agent, or Firm*—Moore & Van Allen, PLLC; W. Kevin Ransom

(51) **LOC (9) Cl.** ..... **08-05**

(52) **U.S. Cl.** ..... **D8/107**

(58) **Field of Classification Search** ..... D7/395;  
D32/49; D8/20, 21, 51, 52, 58, 61, 68, 75,  
D8/80, 82, 83, 90, 94, 95, 97, 107, 300, 303;  
81/177.1, 489, 52; 16/422; D4/138

See application file for complete search history.

(57) **CLAIM**

The ornamental design for a tool knob, as shown and described.

**DESCRIPTION**

(56) **References Cited**

U.S. PATENT DOCUMENTS

D41,494 S *	6/1911	Seeley	.....	D8/312
D218,009 S *	7/1970	Bosack	.....	D8/312
D233,507 S *	11/1974	Stevens	.....	D9/453
D246,691 S *	12/1977	Takahashi	.....	D8/310
D271,843 S *	12/1983	Ferdinand et al.	.....	D8/312
D282,236 S *	1/1986	Shohoji et al.	.....	D8/61
D288,769 S	3/1987	Doman		
D288,770 S	3/1987	Doman		
D301,967 S *	7/1989	Sakamoto et al.	.....	D8/67
D316,020 S *	4/1991	Fushiya et al.	.....	D8/61
D324,411 S *	3/1992	Jolibois	.....	D23/250
D325,506 S	4/1992	Michas et al.		
D328,559 S *	8/1992	Wilson	.....	D8/312
D329,590 S *	9/1992	Chapman	.....	D8/402
D365,742 S *	1/1996	Decursu et al.	.....	D8/312
D387,734 S *	12/1997	Hawkins et al.	.....	D13/158
D389,394 S *	1/1998	Taylor	.....	D8/312
D422,481 S *	4/2000	Bertani	.....	D8/310

FIG. 1 is a perspective view of the tool knob of the present invention;

FIG. 2 is an elevational view of the right side of the tool knob of FIG. 1;

FIG. 3 is an elevational view of the front side of the tool knob of FIG. 1;

FIG. 4 is an elevational view of the left side of the tool knob of FIG. 1;

FIG. 5 is an elevational view of the rear side of the tool knob of FIG. 1;

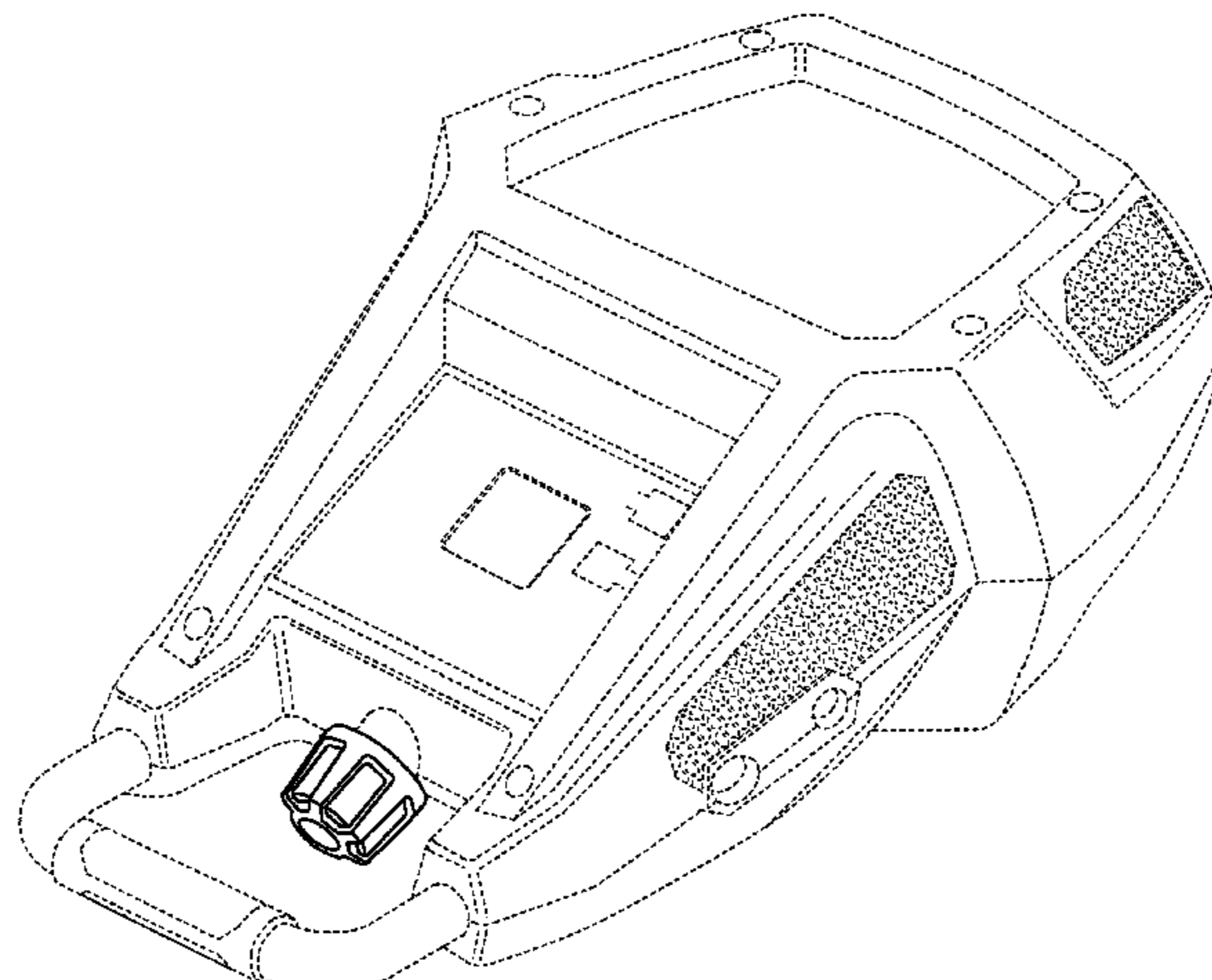
FIG. 6 is a plan view of the bottom side of the tool knob of FIG. 1; and,

FIG. 7 is a plan view of the top side of the tool knob of FIG. 1.

The broken lines shown herein are for illustrative purposes only and form no part of the claimed design.

(Continued)

**1 Claim, 7 Drawing Sheets**



# US D590,232 S

Page 2

## U.S. PATENT DOCUMENTS

D424,401 S \* 5/2000 Ziemer ..... D8/312  
D433,344 S 11/2000 Hsu  
D440,848 S \* 4/2001 Izumisawa ..... D8/61  
6,363,579 B1 \* 4/2002 King, Jr. .... 16/441  
D471,784 S \* 3/2003 Garvis et al. .... D8/68  
D474,528 S 5/2003 Huang  
D475,269 S \* 6/2003 Matern ..... D8/312  
6,745,883 B2 \* 6/2004 Eto et al. .... 192/56.62  
D492,559 S \* 7/2004 Itano ..... D8/51  
D495,226 S \* 8/2004 Grant et al. .... D8/61  
D510,247 S \* 10/2005 White ..... D8/68  
D520,856 S \* 5/2006 Osiecki et al. .... D8/312  
D520,859 S \* 5/2006 Osiecki et al. .... D8/321  
D528,910 S \* 9/2006 Kingsley ..... D9/446  
D529,357 S \* 10/2006 Qiu ..... D8/62  
D530,200 S \* 10/2006 Kingsley ..... D9/446  
D537,676 S \* 3/2007 Kingsley ..... D7/510  
D543,828 S \* 6/2007 Strutin-Belinoff et al. .... D8/310

D568,715 S \* 5/2008 Gustafson et al. .... D8/310  
D572,559 S 7/2008 Demers et al.  
D572,561 S 7/2008 Demers et al.

## FOREIGN PATENT DOCUMENTS

TW 144783 10/1990  
TW 232614 10/1994  
TW 443904 6/1999  
TW 391820 5/2000  
TW 405983 9/2000  
TW 440384 6/2001  
TW 453826 9/2001  
TW 478775 3/2002  
TW 542548 1/2003  
TW D106079 8/2005  
TW D106099 8/2005  
TW D110289 4/2006  
TW D114283 12/2006

\* cited by examiner

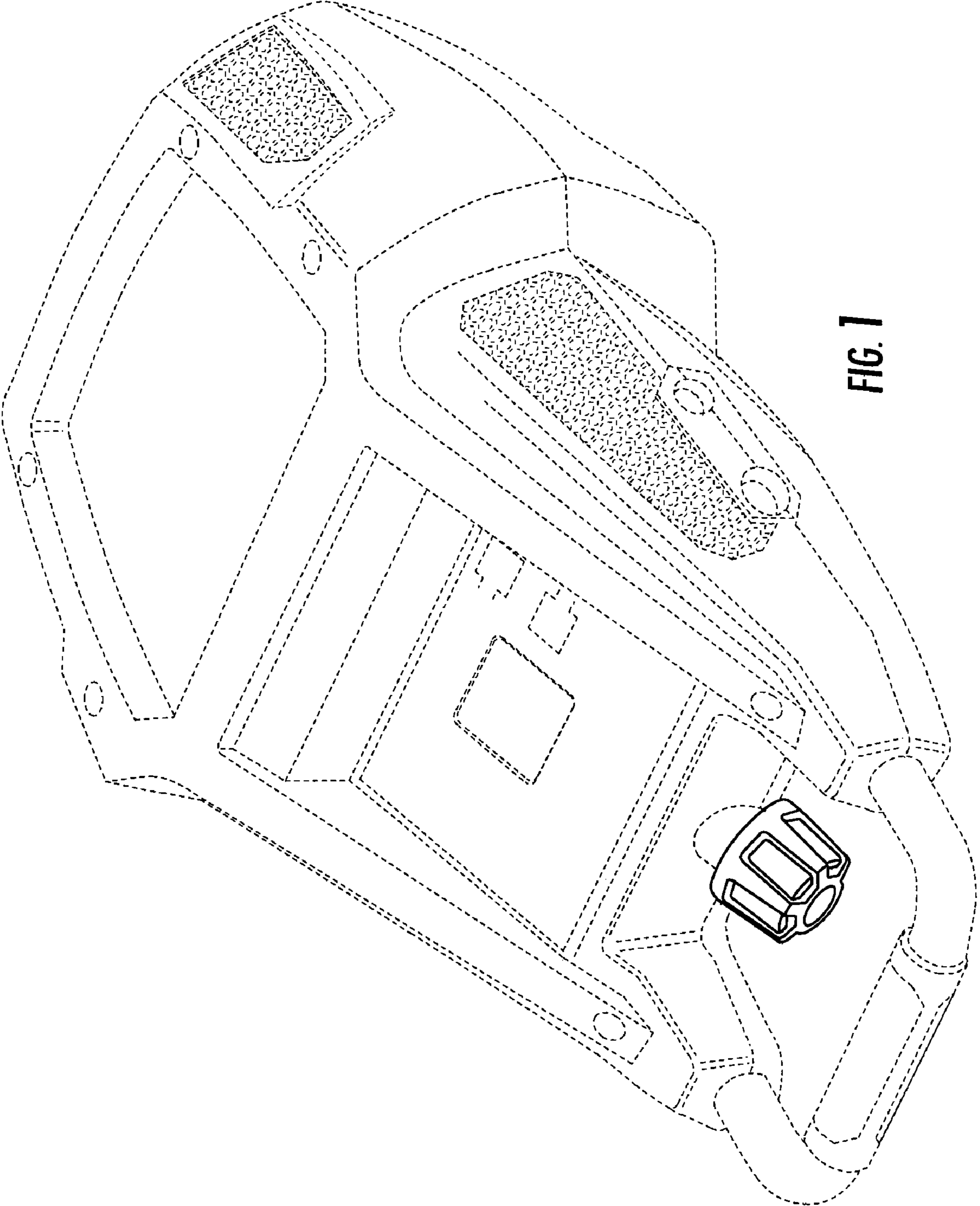


FIG. 1

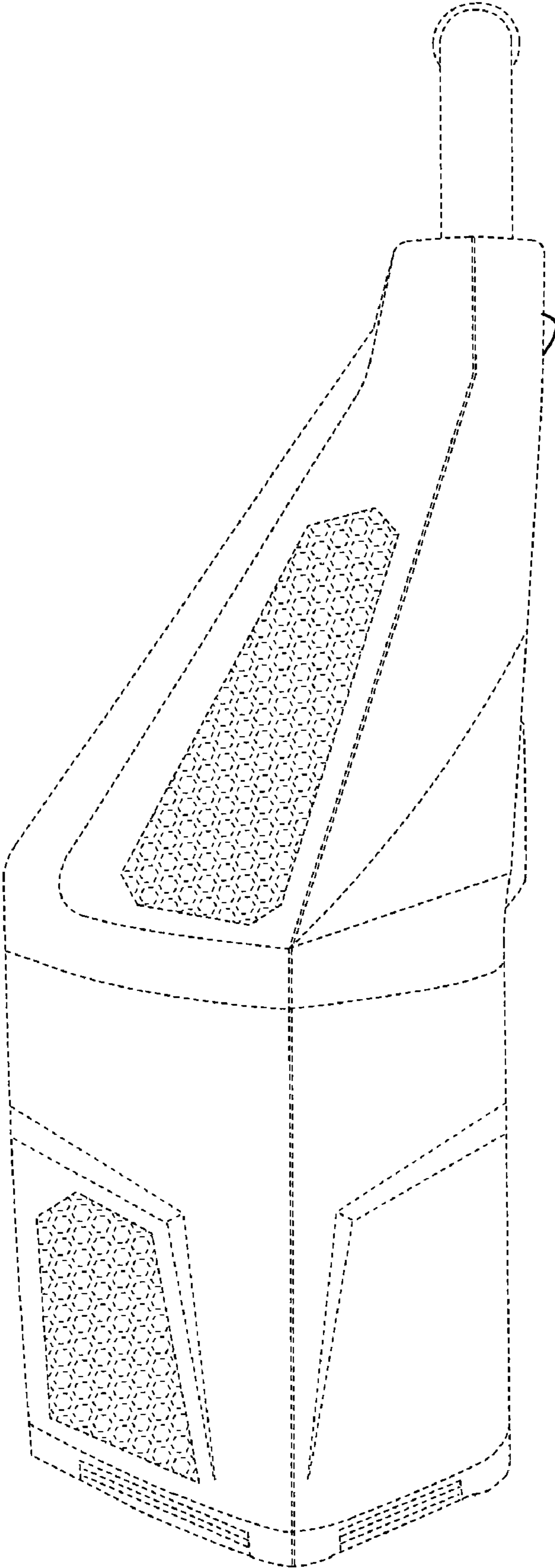


FIG. 2

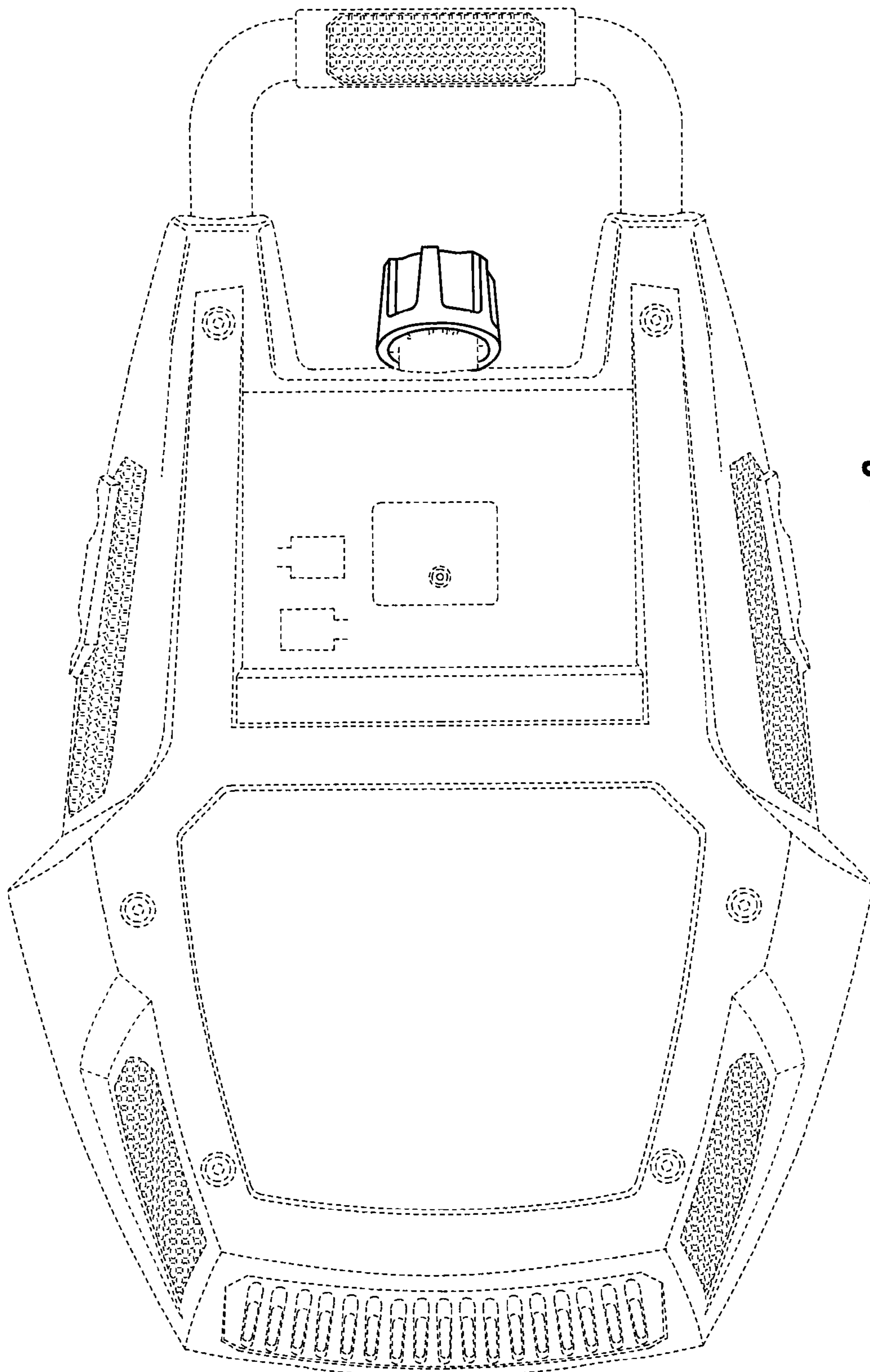


FIG. 3

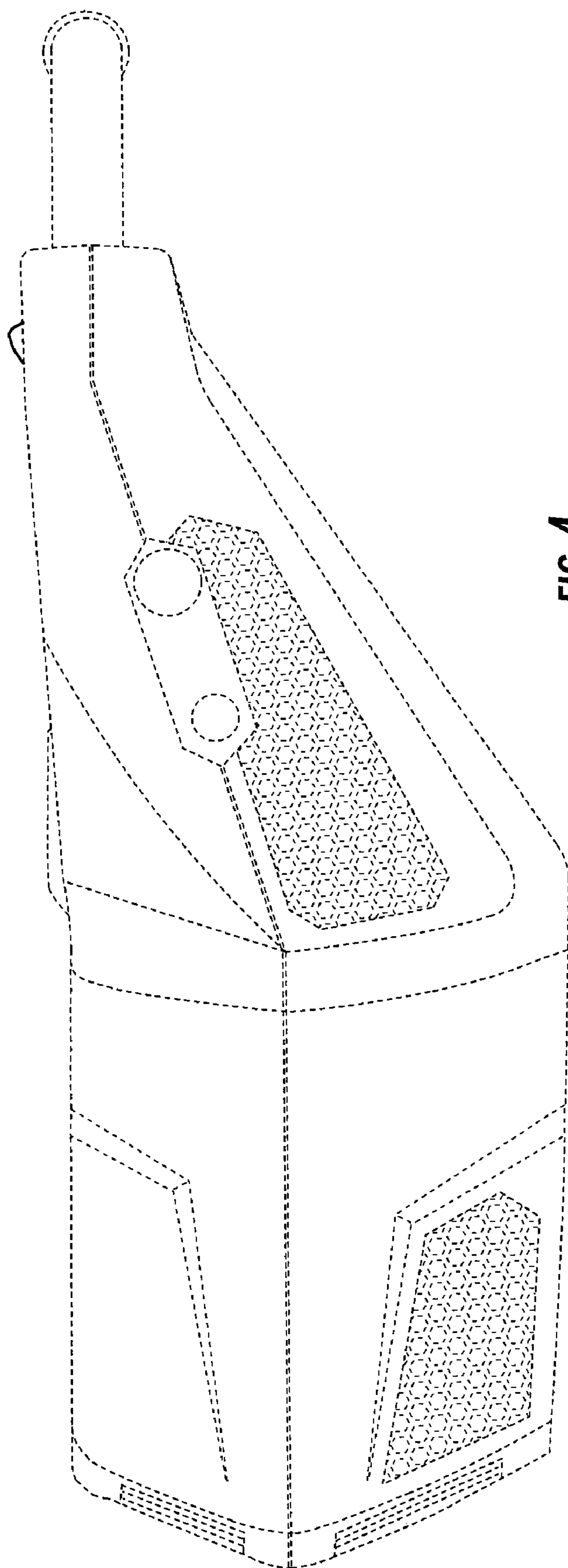


FIG. 4

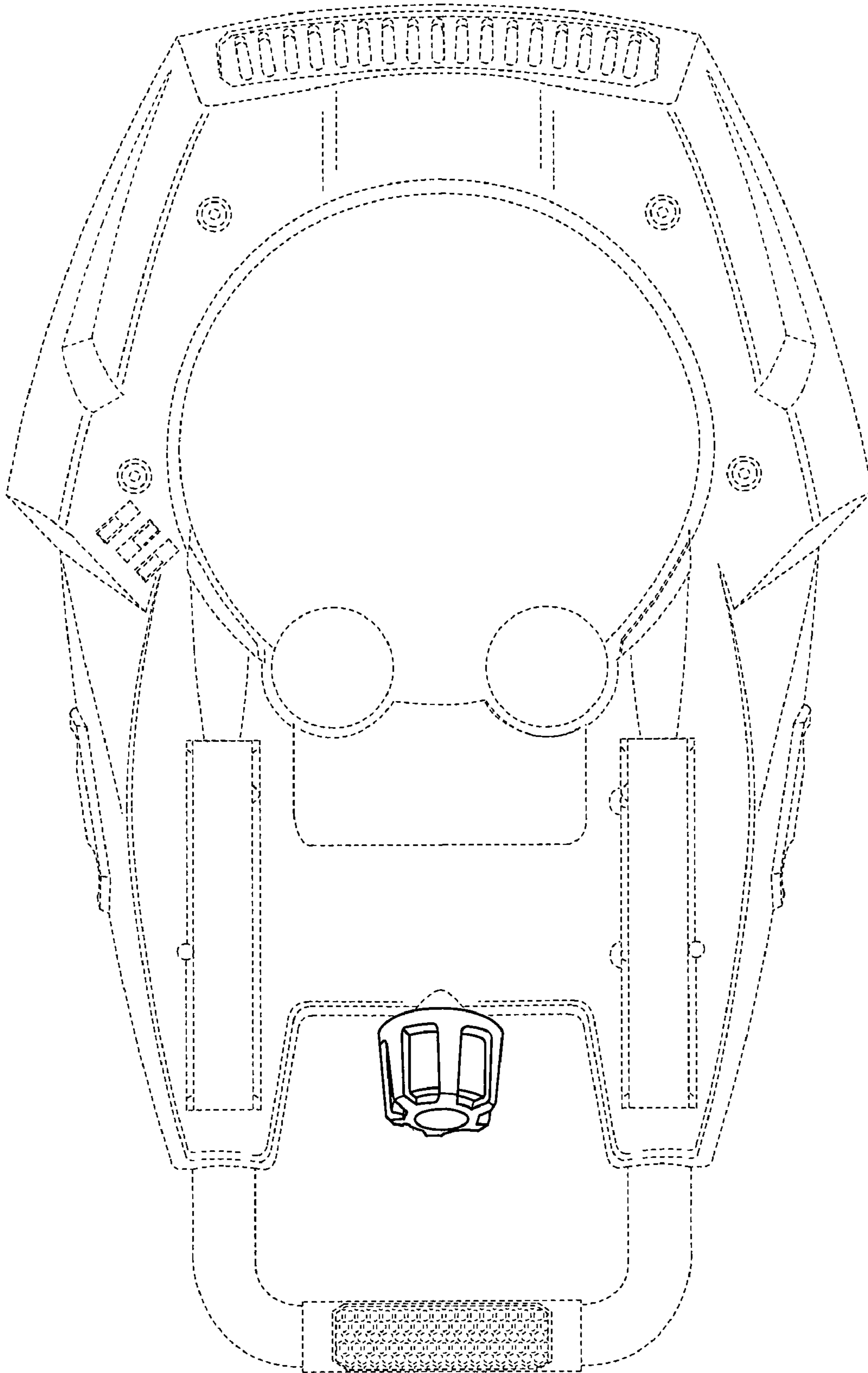
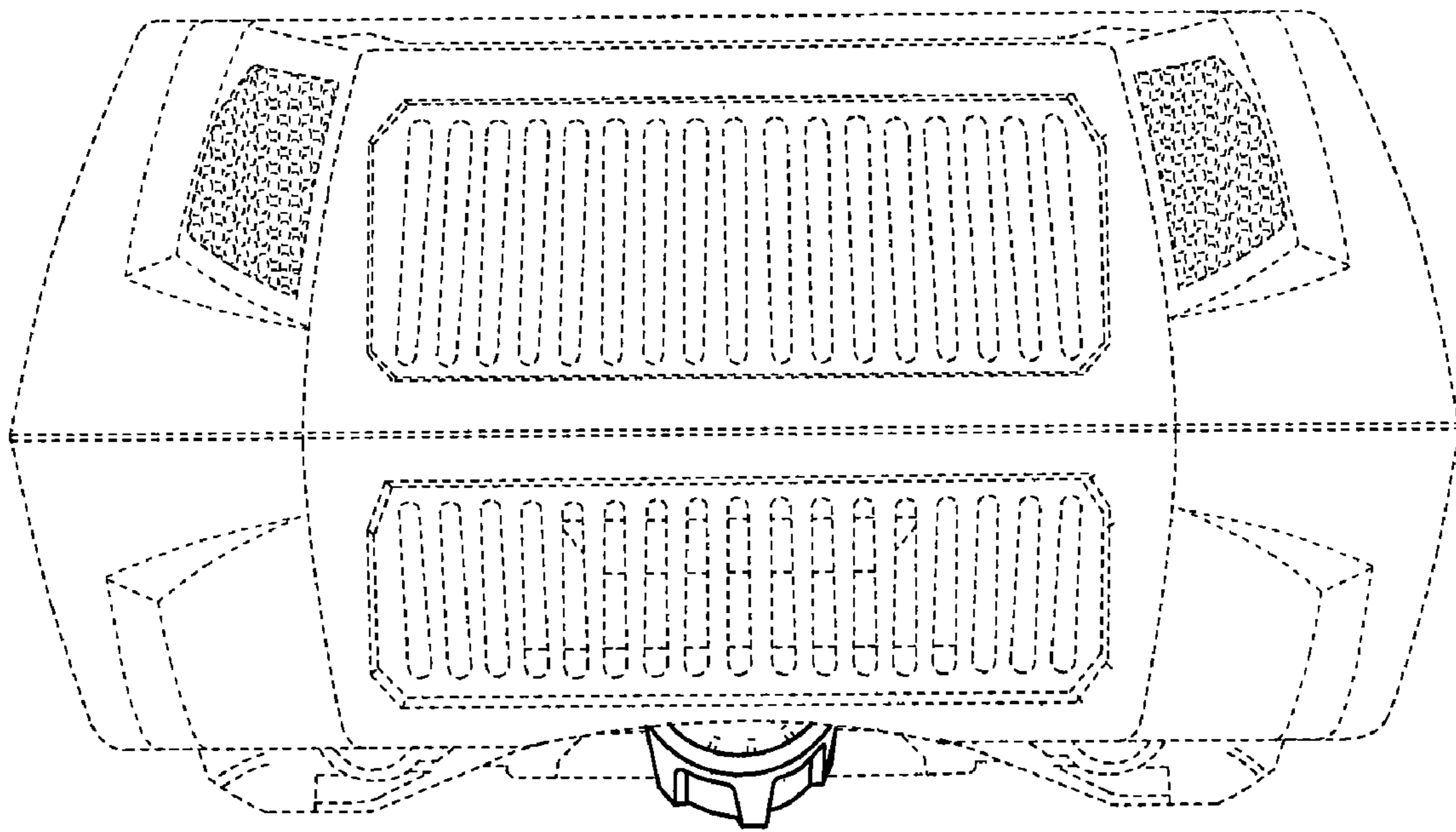


FIG. 5

FIG. 6





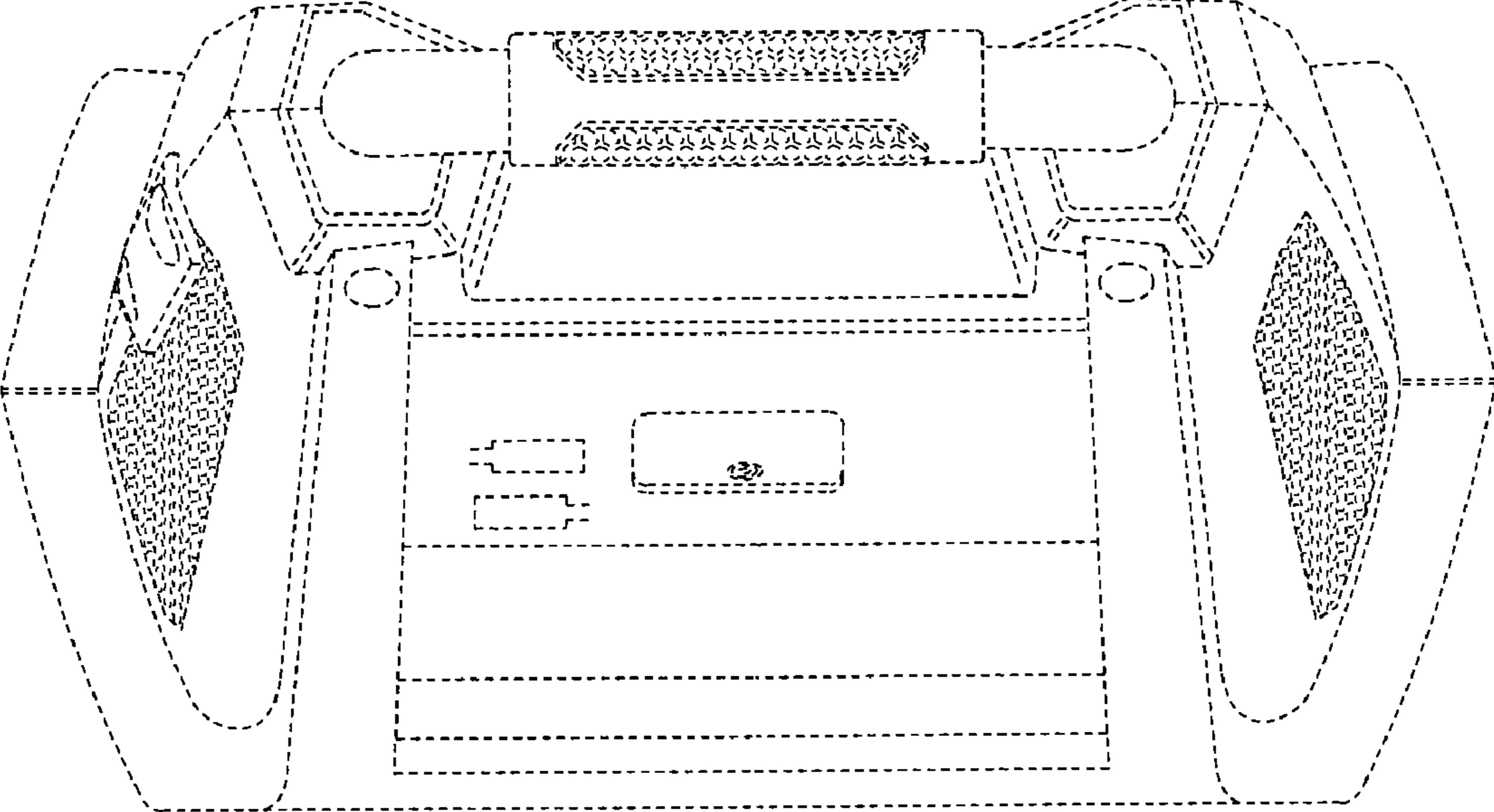


FIG. 7