



US00D590231S

(12) **United States Design Patent**
Belcher et al.

(10) **Patent No.:** **US D590,231 S**
(45) **Date of Patent:** **** Apr. 14, 2009**

- (54) **TWINE CUTTER**
- (75) Inventors: **Brett Belcher**, Toronto (CA); **Graham Sharples**, Toronto (CA)
- (73) Assignee: **Mibro Partners**, Scarborough, ON (CA)
- (**) Term: **14 Years**
- (21) Appl. No.: **29/294,000**
- (22) Filed: **Dec. 20, 2007**
- (51) **LOC (9) Cl.** **08-02**
- (52) **U.S. Cl.** **D8/99**
- (58) **Field of Classification Search** D8/14,
D8/98; D9/437; D28/66; 225/63, 6, 43,
225/49, 56, 64, 62, 61, 59, 60
See application file for complete search history.

2,058,536 A	10/1936	Waseen	
2,163,064 A	6/1939	Rominger	
2,265,126 A	12/1941	Bershe	
2,370,699 A	3/1945	Warren	
2,757,451 A	8/1956	Johnson	
2,806,660 A	9/1957	Marcoff-moghadam	
2,806,661 A	9/1957	Markoff-Moghadam	
D306,500 S *	3/1990	Brahler	D28/66
5,301,432 A *	4/1994	Richardson et al.	30/298
D408,588 S *	4/1999	Zorovich	D28/66
D413,694 S *	9/1999	Bennett	D28/66
6,398,093 B1 *	6/2002	Dolan	225/51
6,722,969 B2 *	4/2004	Hendrickson	452/132
D548,887 S *	8/2007	Aledo et al.	D28/66
2005/0060894 A1 *	3/2005	Armstrong	30/294

* cited by examiner

Primary Examiner—Philip S Hyder
(74) *Attorney, Agent, or Firm*—Hill & Schumacher; Nancy E. Hill

(56) **References Cited**
U.S. PATENT DOCUMENTS

87,057 A	2/1869	McIntire	
87,067 A	2/1869	McIntire	
244,103 A	7/1881	Winslow	
367,035 A	7/1887	Fox	
495,500 A	4/1893	Look	
557,278 A	3/1896	Leach	
752,345 A	2/1904	Laird	
752,845 A	2/1904	Laird	
867,217 A	9/1907	Slagle	
1,044,014 A	11/1912	Butts	
1,178,798 A	4/1916	Grasselly	
1,229,504 A	6/1917	Olson	
1,379,864 A *	5/1921	Gregory	30/291
1,481,185 A	1/1924	Burns et al.	
1,981,388 A	11/1934	Perry	
2,056,342 A	10/1936	Bunker et al.	

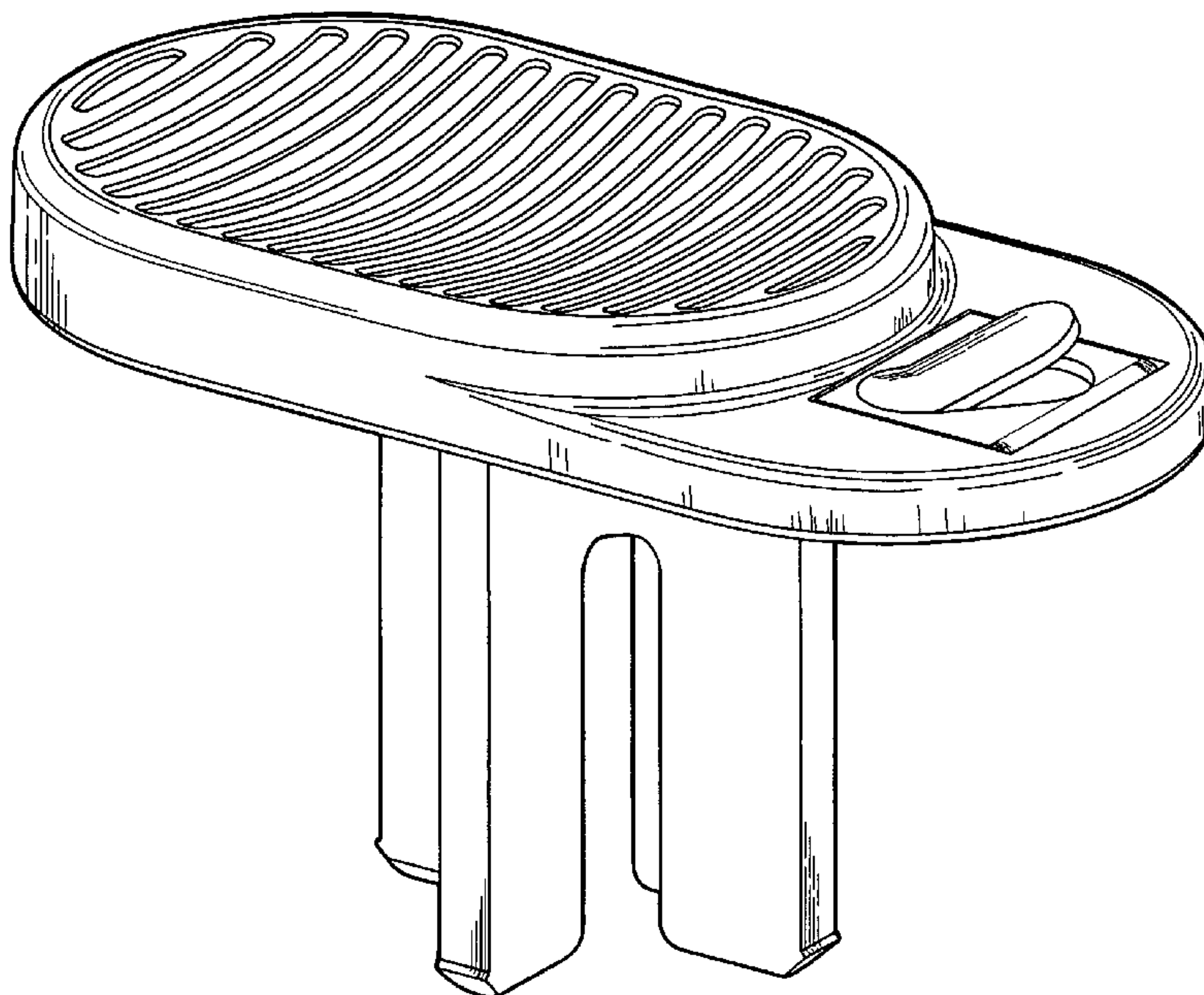
(57) **CLAIM**

The ornamental design for a twine cutter, as shown and described.

DESCRIPTION

FIG. 1 is a front perspective view of a twine cutter showing our new design;
FIG. 2 is a rear perspective view thereof;
FIG. 3 is a left side view thereof;
FIG. 4 is a right side view thereof;
FIG. 5 is a rear elevational view thereof;
FIG. 6 is a front elevational view thereof; and,
FIG. 7 is top plan view thereof.

1 Claim, 7 Drawing Sheets



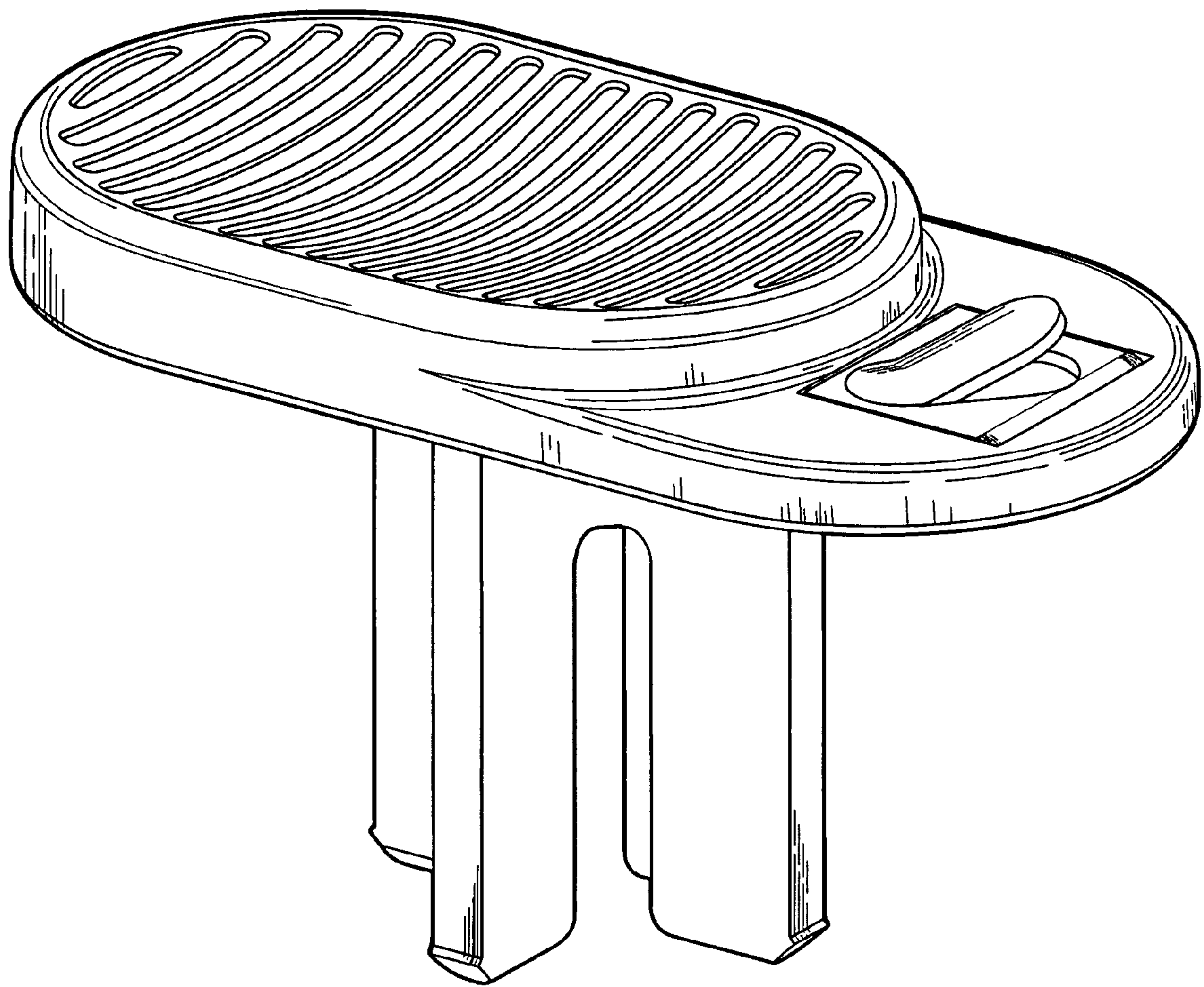


FIG. 1

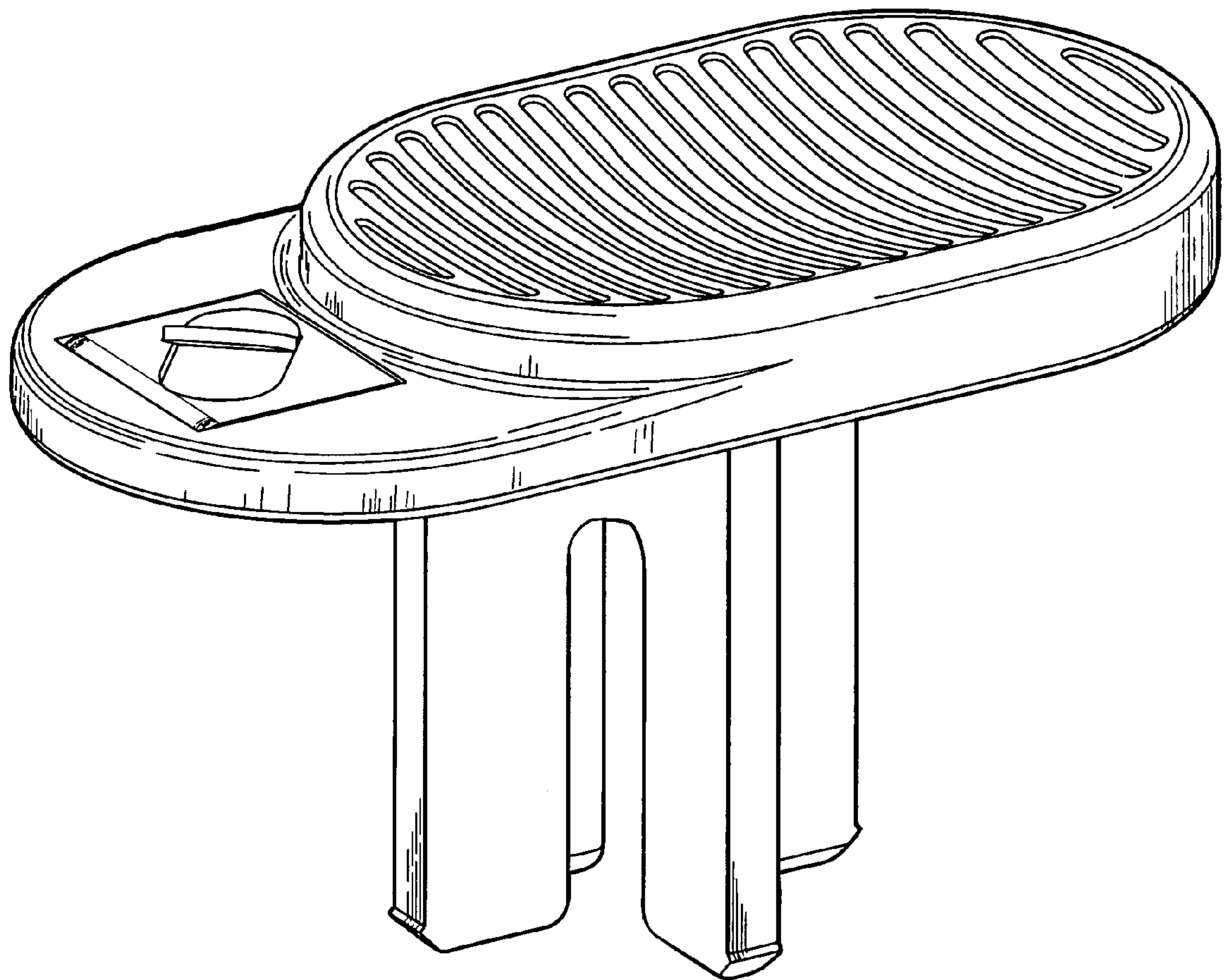


FIG. 2

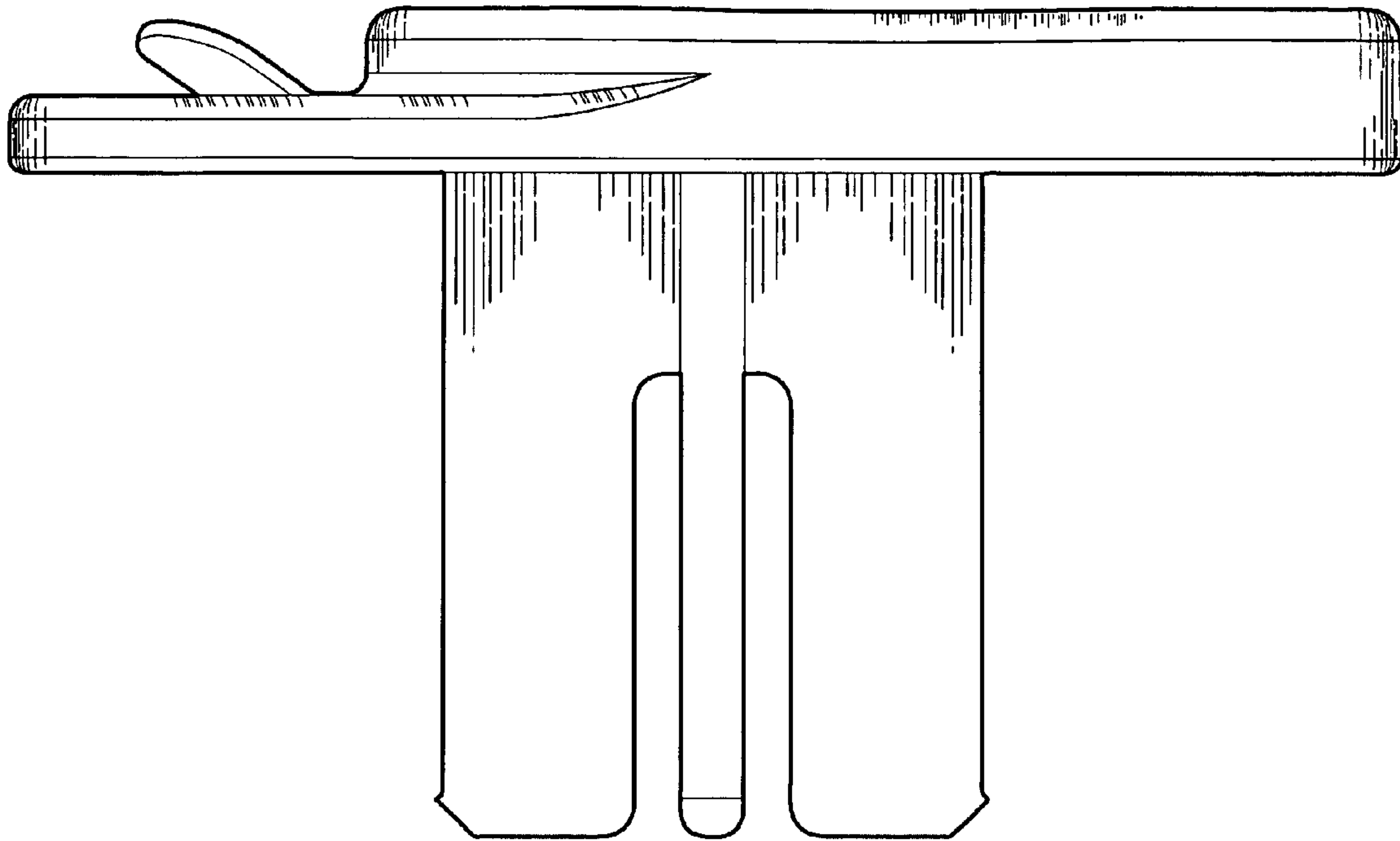


FIG. 3

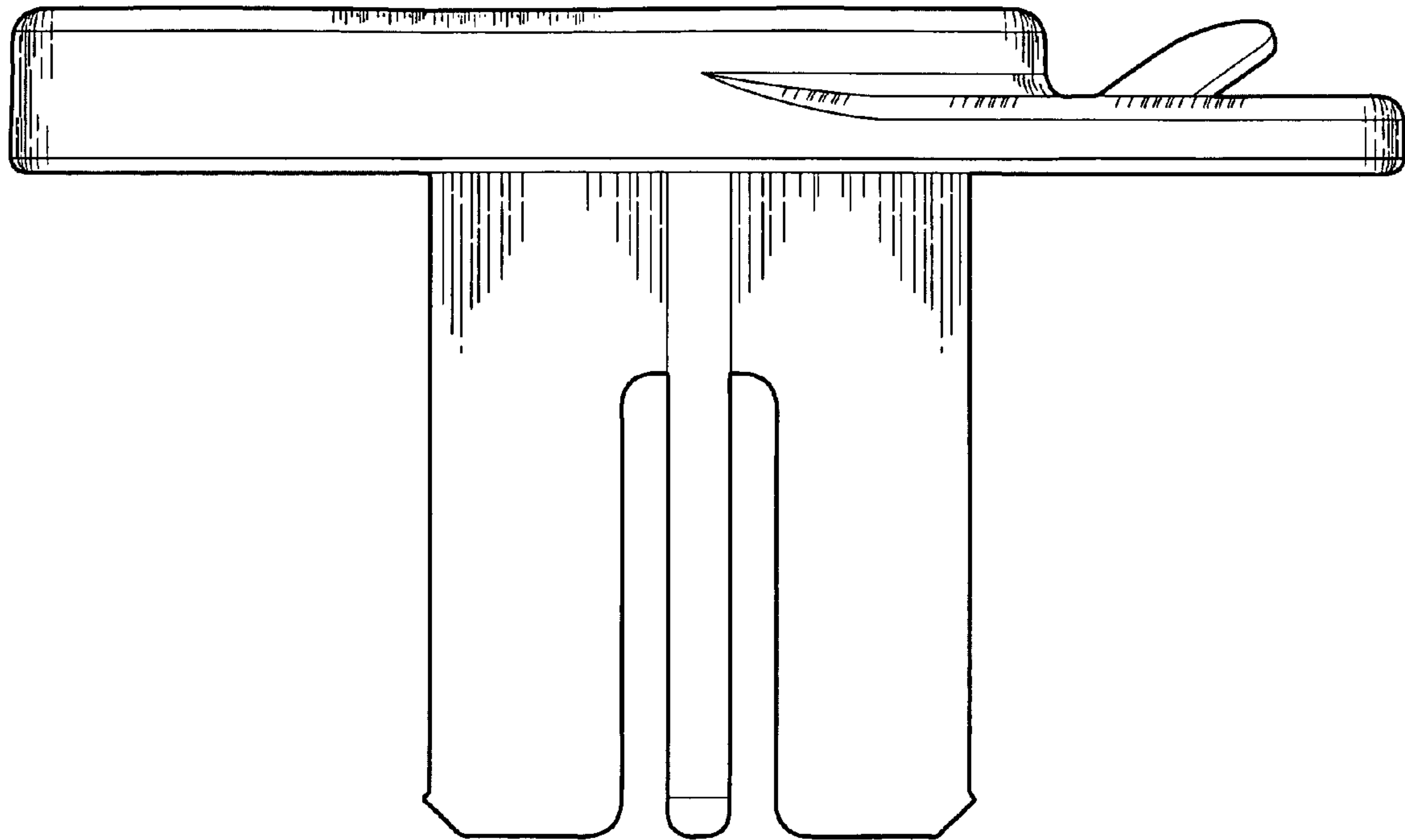


FIG. 4

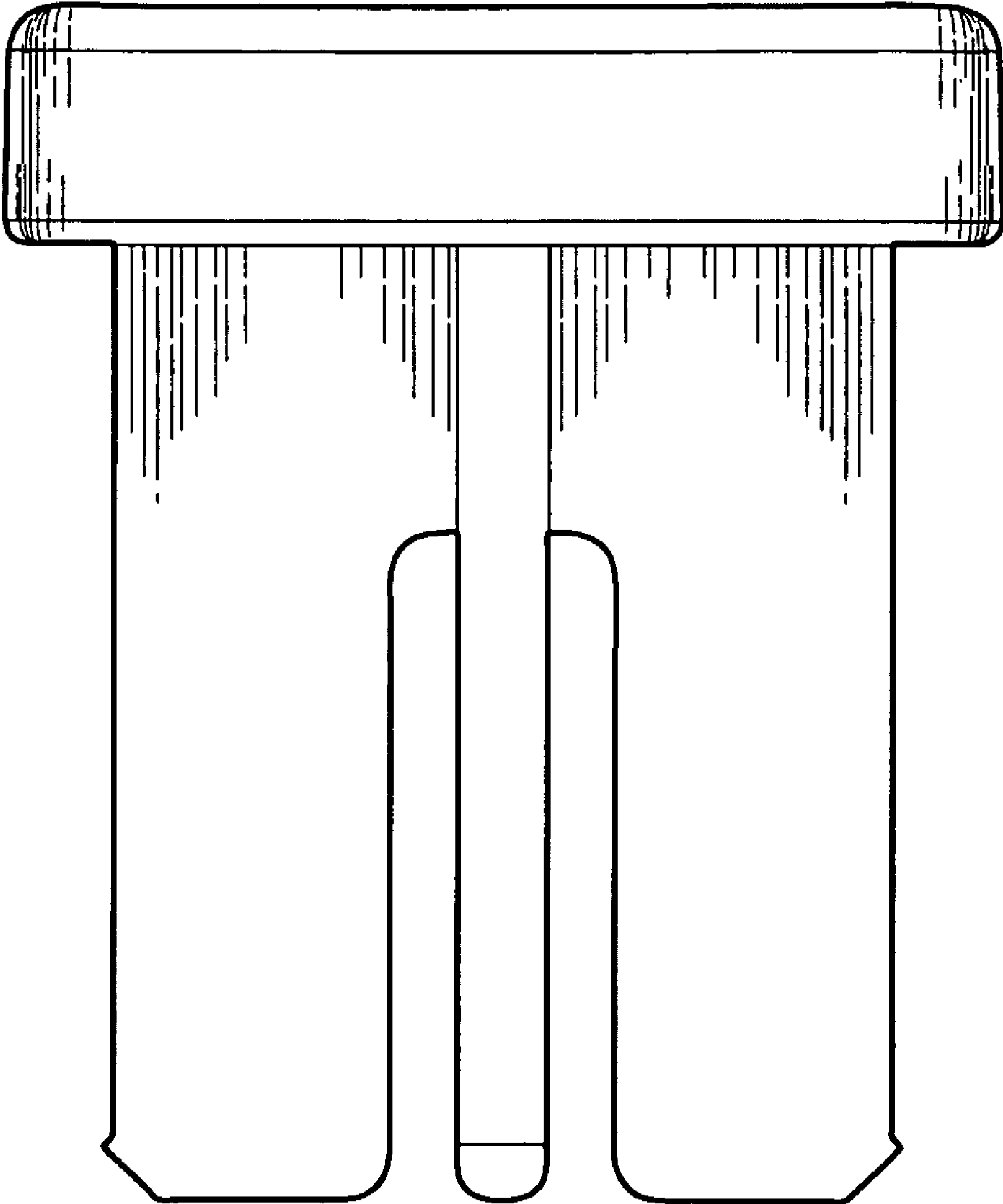


FIG. 5

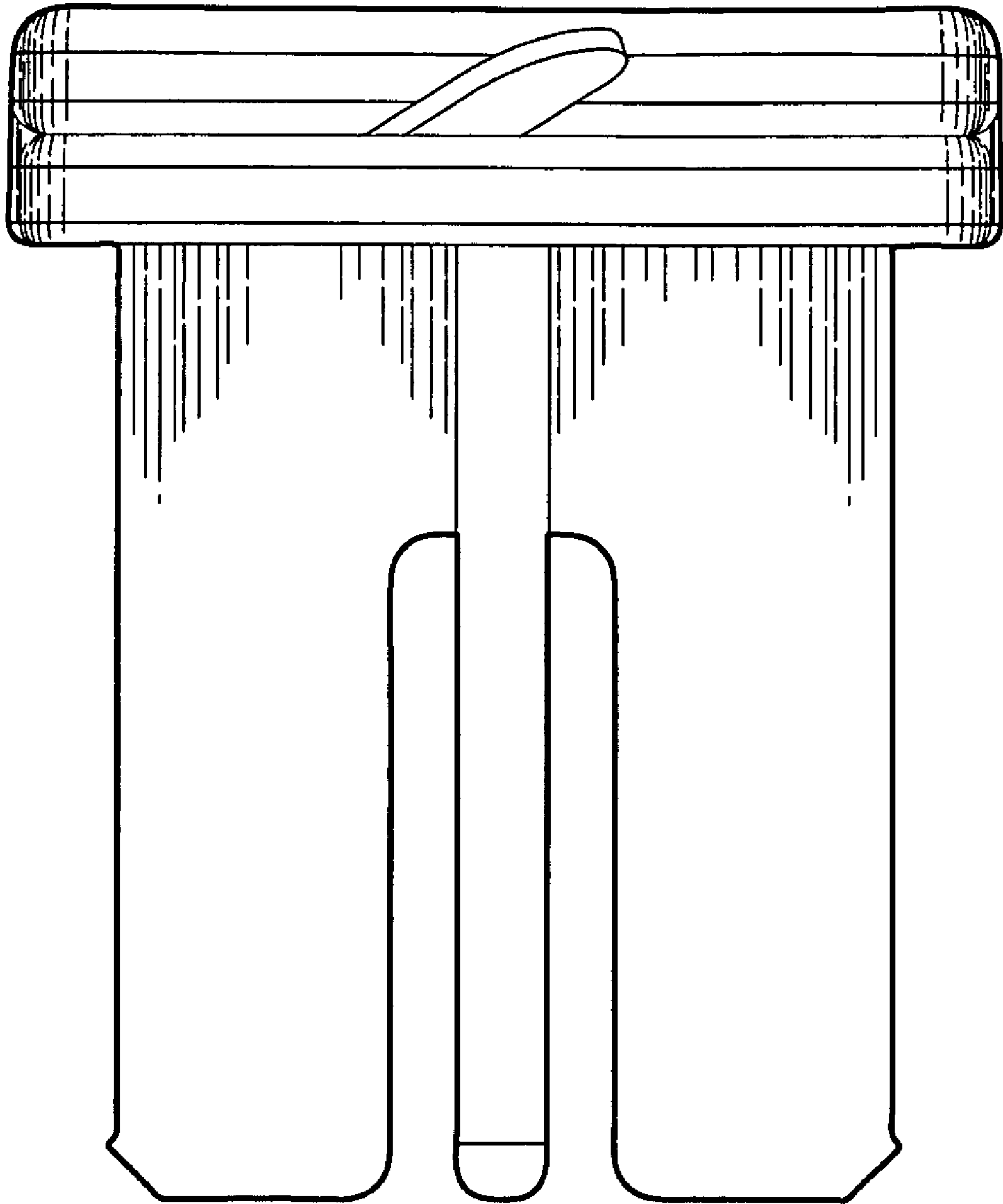


FIG. 6

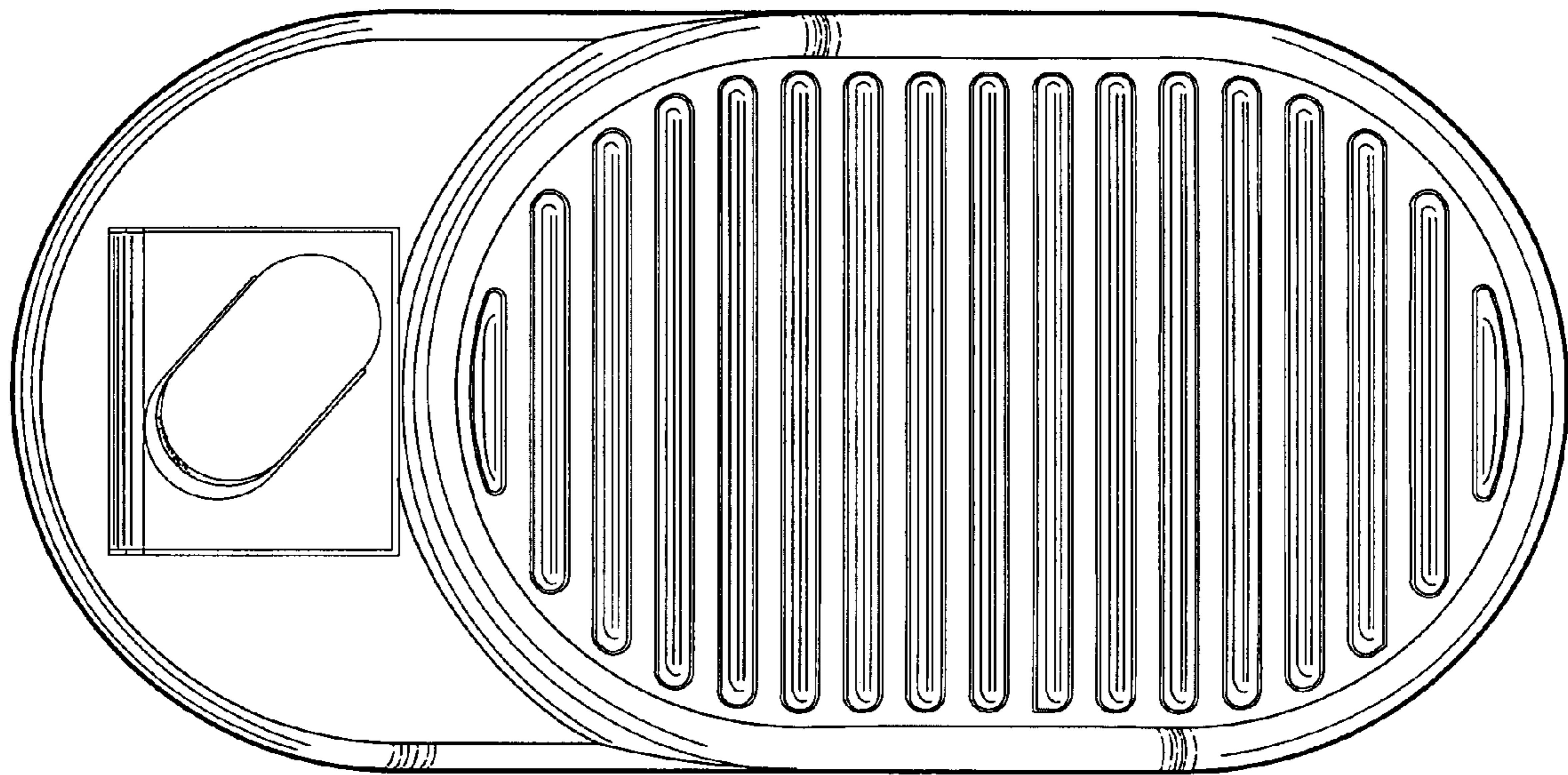


FIG. 7