



US00D590229S

(12) **United States Design Patent**
Reece, Jr.

(10) **Patent No.:** **US D590,229 S**
(45) **Date of Patent:** **** Apr. 14, 2009**

(54) **ANTI-BACKLASH CAM TOOL**

(76) Inventor: **Ray E. Reece, Jr.**, 8073 Shamrock Dr.,
Connelly Springs, NC (US) 28612

(**) Term: **14 Years**

(21) Appl. No.: **29/310,874**

(22) Filed: **Sep. 16, 2008**

(51) **LOC (9) Cl.** **08-05**

(52) **U.S. Cl.** **D8/70**

(58) **Field of Classification Search** D8/70;
74/401, 439; 83/155, 100, 303, 346, 404,
83/344, 345, 404.4, 911; 29/469; 101/40,
101/248, 350.1; 359/700, 823

See application file for complete search history.

(56) **References Cited**

U.S. PATENT DOCUMENTS

4,429,603 A * 2/1984 Chapman et al. 83/37
4,450,740 A * 5/1984 Chapman et al. 83/303
5,103,703 A * 4/1992 Littleton 83/155

OTHER PUBLICATIONS

Ajax Lathe Jaw Boring Online Ordering; "Soft Jaw Boring Rings";
<http://www.ajaxjaw.com/wizzc/wizzg.html>; pp. 1-4; published prior
to Sep. 16, 2008.

Cushman 3-Jaw Self-Centering Chucks (Series 10-104); Cushman
Industries; 2-page brochure; published prior to Sep. 16, 2008.

* cited by examiner

Primary Examiner—Antoine D Davis

(74) *Attorney, Agent, or Firm*—Schwartz Law Firm, P.C.

(57) **CLAIM**

I claim the ornamental design for an anti-backlash cam tool,
as shown and described.

DESCRIPTION

FIG. 1 is a perspective view of an anti-backlash cam tool
according to the present design, and showing a prior art three-
jaw chuck in phantom, the chuck forming no part of claimed
design;

FIG. 2 is a further perspective view of the anti-backlash cam
tool;

FIG. 3 is a top edge view of the anti-backlash cam tool;

FIG. 4 is a plan view showing a first major surface of the
anti-backlash cam tool;

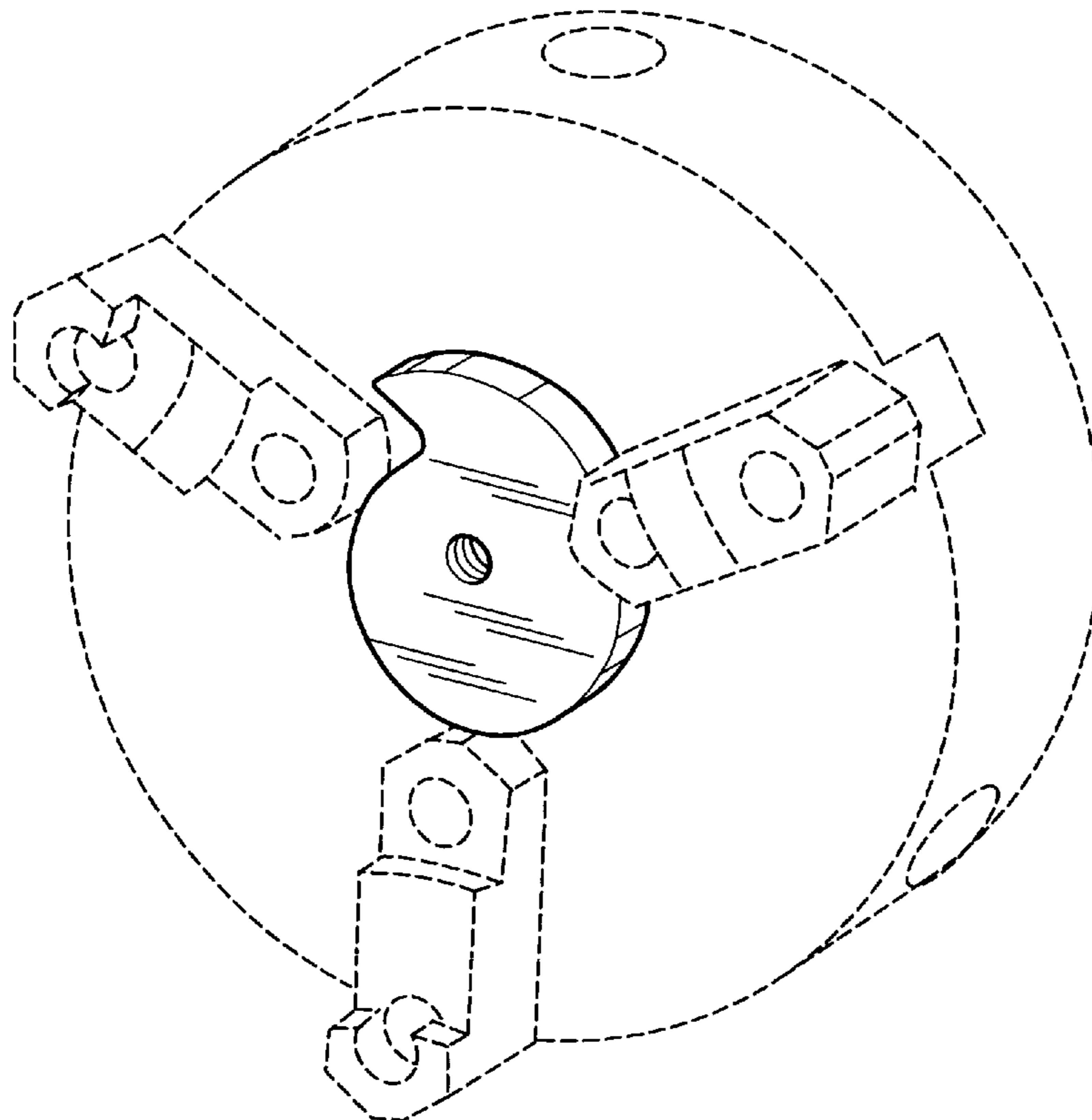
FIG. 5 is a bottom edge view of the anti-backlash cam tool;

FIG. 6 is a rear edge view of the anti-backlash cam tool;

FIG. 7 is a plan view showing a second major surface of the
anti-backlash cam tool; and,

FIG. 8 is a front edge view of the anti-backlash cam tool.

1 Claim, 3 Drawing Sheets



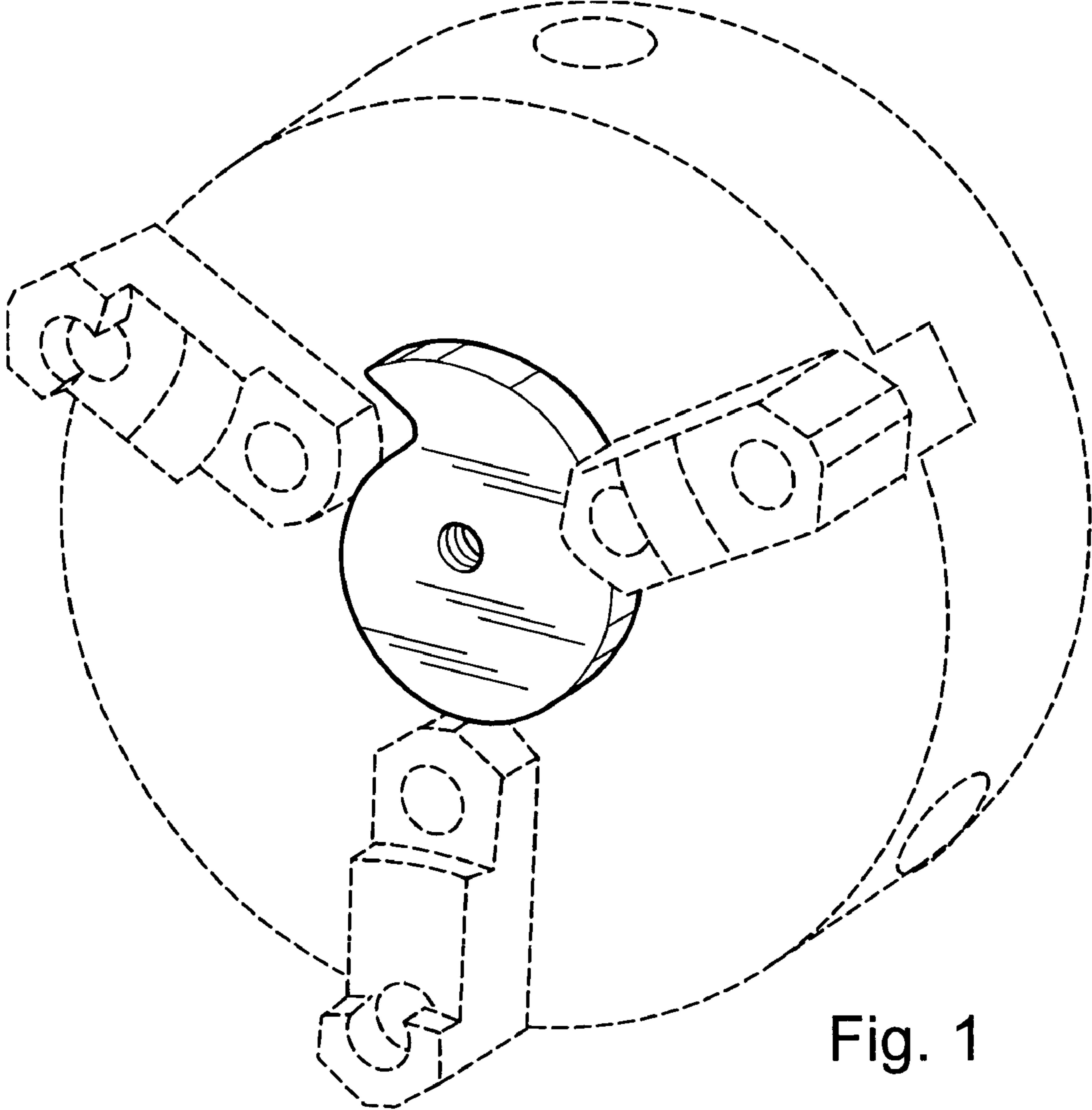


Fig. 1

Fig. 2

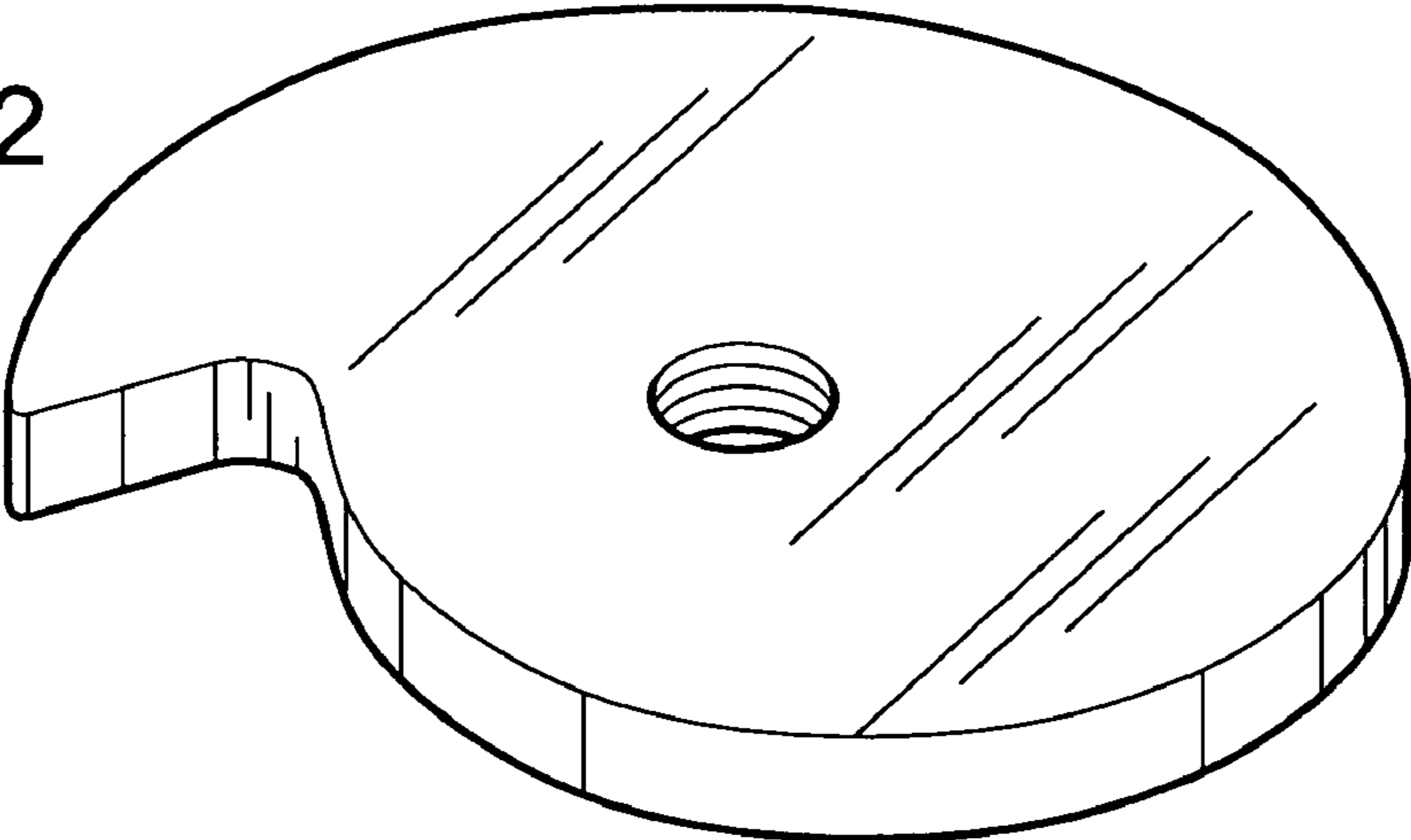




Fig.3

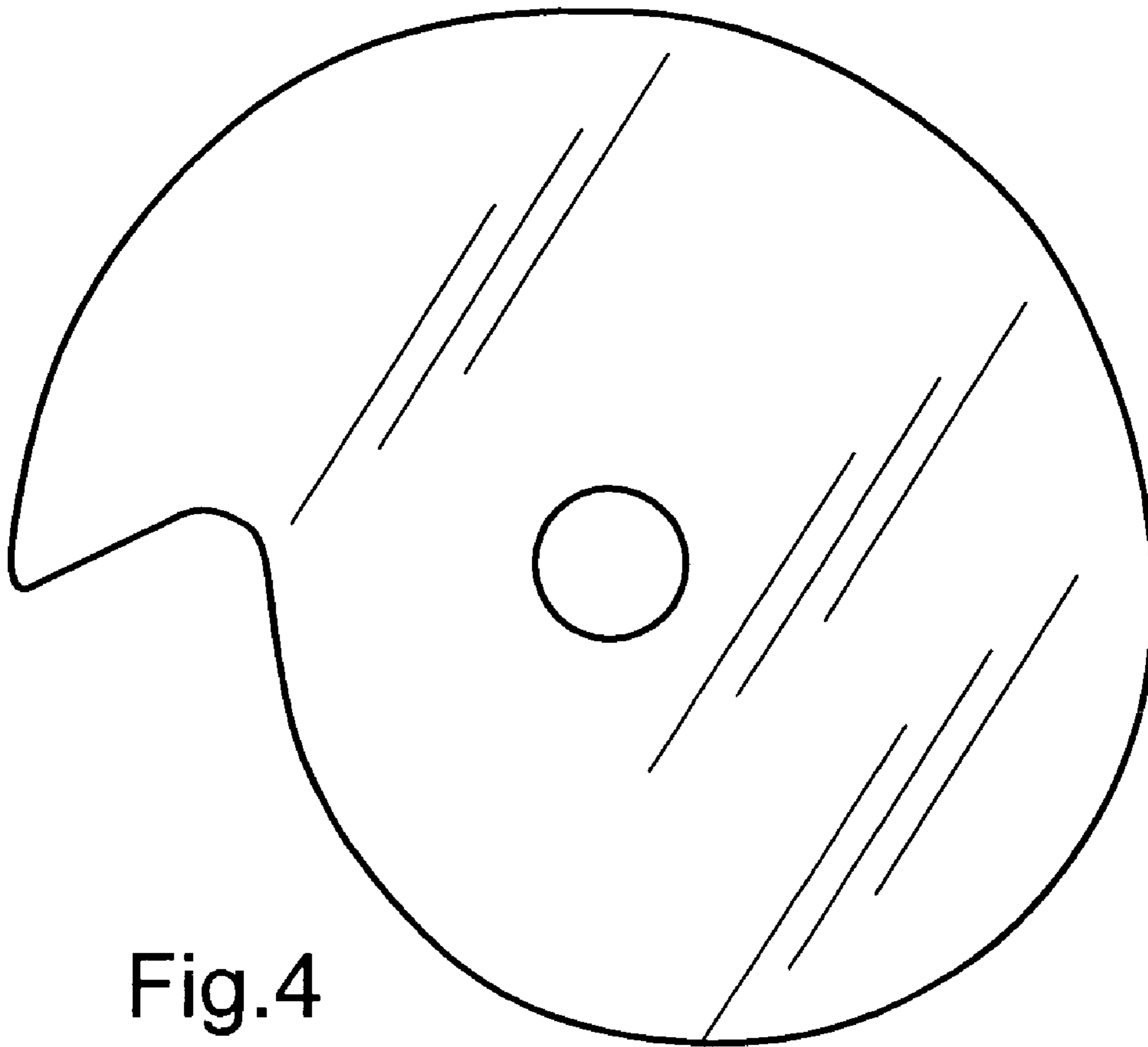


Fig.4



Fig.5

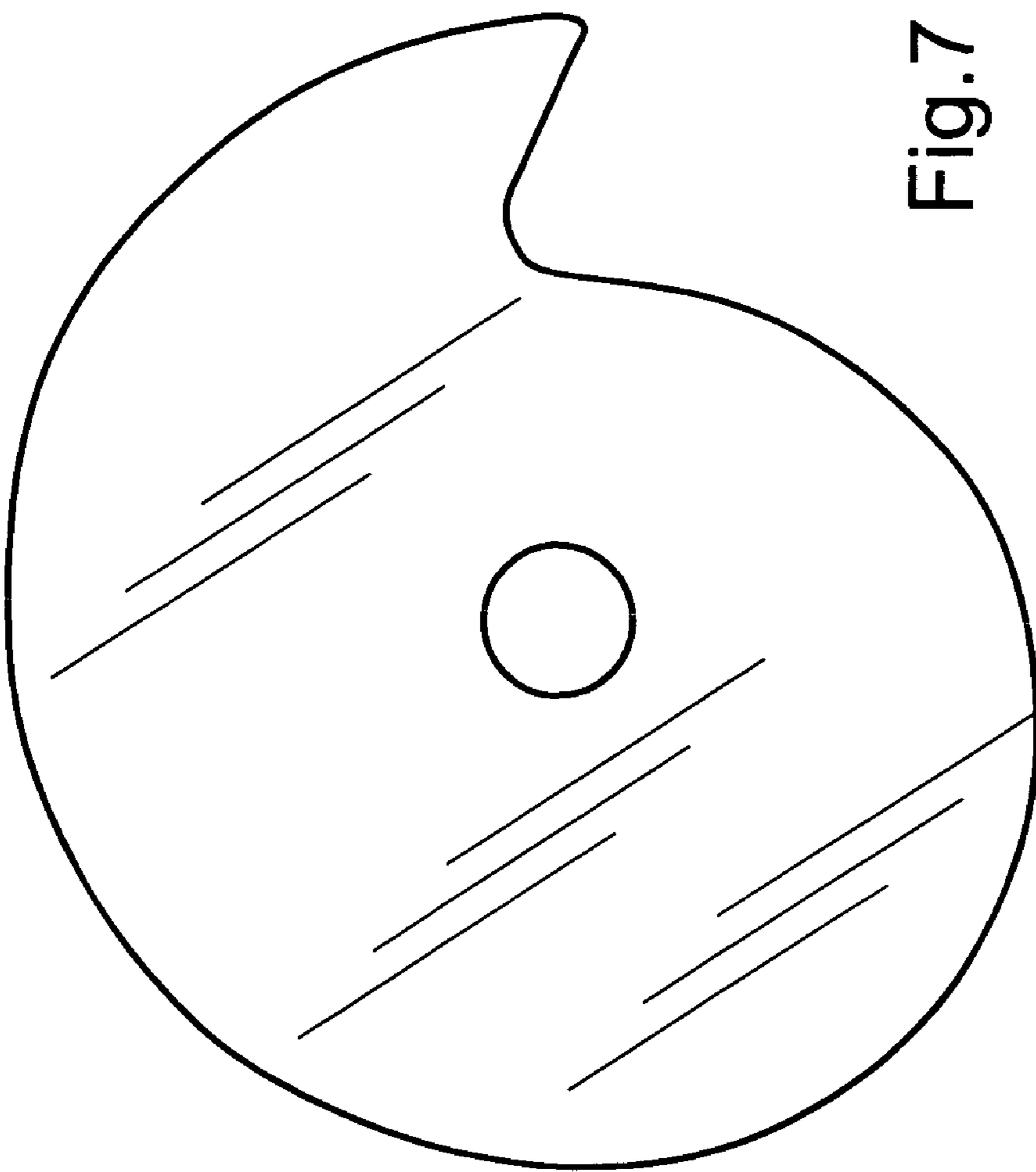


Fig. 6



Fig. 7



Fig. 8