



US00D590228S

(12) **United States Design Patent**
Aglassinger

(10) **Patent No.:** **US D590,228 S**

(45) **Date of Patent:** **** Apr. 14, 2009**

(54) **DRILL CHUCK**

(75) Inventor: **Hans-Peter Aglassinger**, Esslingen (DE)

(73) Assignee: **Robert Bosch GmbH**, Stuttgart (DE)

(**) Term: **14 Years**

(21) Appl. No.: **29/295,072**

(22) Filed: **Sep. 21, 2007**

(30) **Foreign Application Priority Data**

Mar. 28, 2007 (EM) 000697727

(51) **LOC (9) Cl.** **08-05**

(52) **U.S. Cl.** **D8/70**

(58) **Field of Classification Search** D8/14.1,
D8/61, 62, 63, 64, 65, 66, 67, 68, 69, 70;
D15/138, 140; 81/57.11, 429, 454, 455,
81/456, 469, 489; 173/13, 104, 114, 168,
173/169, 170, 171, 178, 201, 211, 213, 217;
408/20, 124, 125, 234, 241 R; 451/351;
310/50; 227/8, 113, 114, 120, 130, 136,
227/142

See application file for complete search history.

(56) **References Cited**

U.S. PATENT DOCUMENTS

5,882,016 A * 3/1999 Chiang 81/489
D409,067 S * 5/1999 Sakamaki D8/70
D469,325 S * 1/2003 Carroll D8/70
6,902,172 B2 * 6/2005 Rohm 279/62
D525,846 S * 8/2006 Corcoran D8/68
7,125,021 B2 * 10/2006 Tan 279/62

D537,315 S * 2/2007 Yaksich D8/70
D559,062 S * 1/2008 Concari D8/68
D563,187 S * 3/2008 Hu D8/70
D565,377 S * 4/2008 Hu D8/70
D576,854 S * 9/2008 Aglassinger D8/68
2002/0140185 A1 * 10/2002 Rohm 279/60
2006/0208433 A1 * 9/2006 Cachod 279/63
2006/0244224 A1 * 11/2006 Zhou et al. 279/62
2007/0176374 A1 * 8/2007 Cachod 279/62

* cited by examiner

Primary Examiner—T. Chase Nelson

Assistant Examiner—Karen Acker

(74) *Attorney, Agent, or Firm*—Victor A. Henzi

(57) **CLAIM**

The ornamental design for the drill chuck, as shown and described.

DESCRIPTION

FIG. 1 is a top front perspective view of the drill chuck;

FIG. 2 is a left elevational view thereof;

FIG. 3 is a right elevational view thereof;

FIG. 4 is a top plan view thereof;

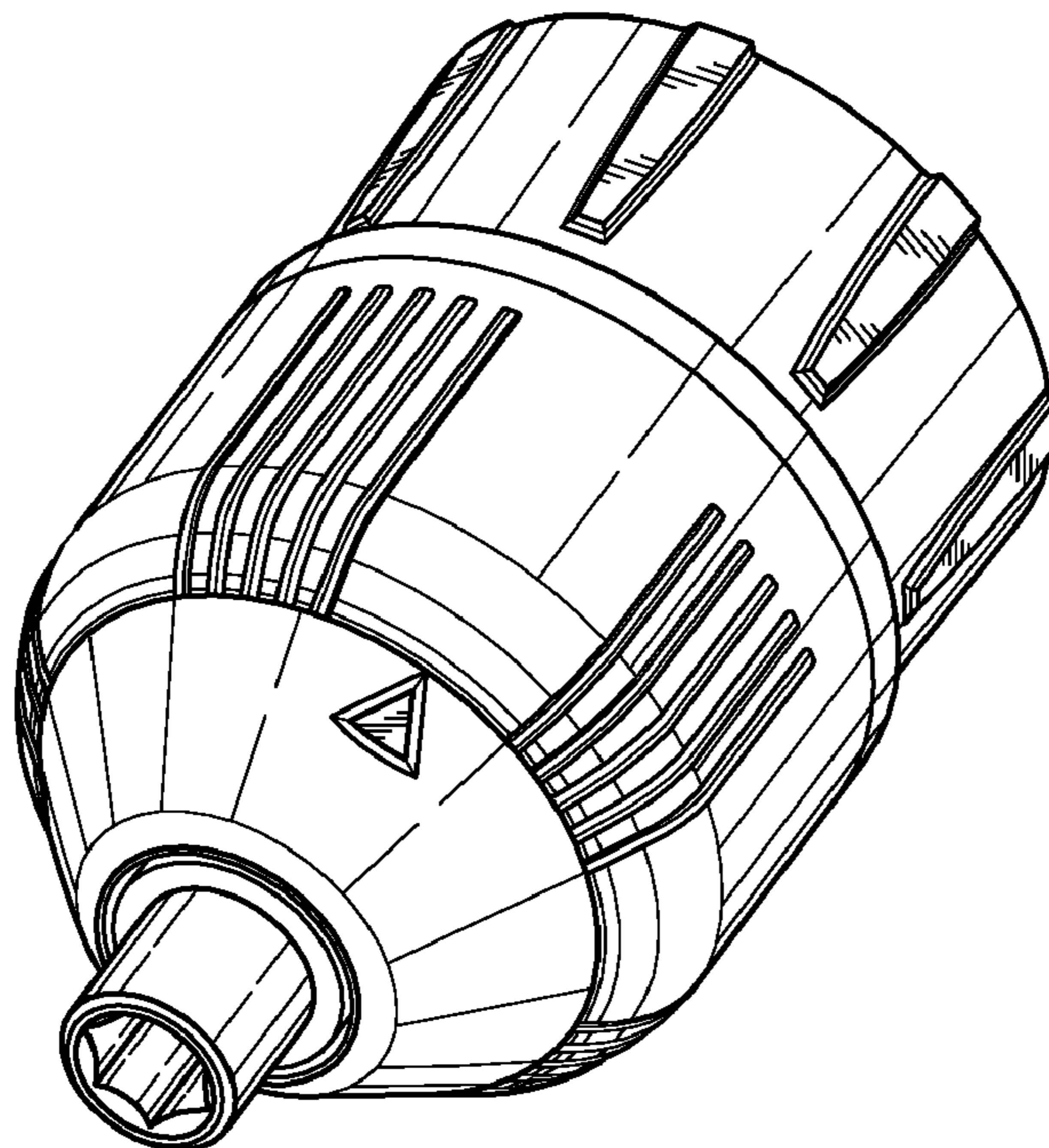
FIG. 5 is a bottom plan view thereof;

FIG. 6 is a rear elevational view thereof; and,

FIG. 7 is a front elevational view thereof.

The broken lines depict portions of the design that are not claimed. The broken lines and structures they depict form no part of the claimed design.

1 Claim, 4 Drawing Sheets



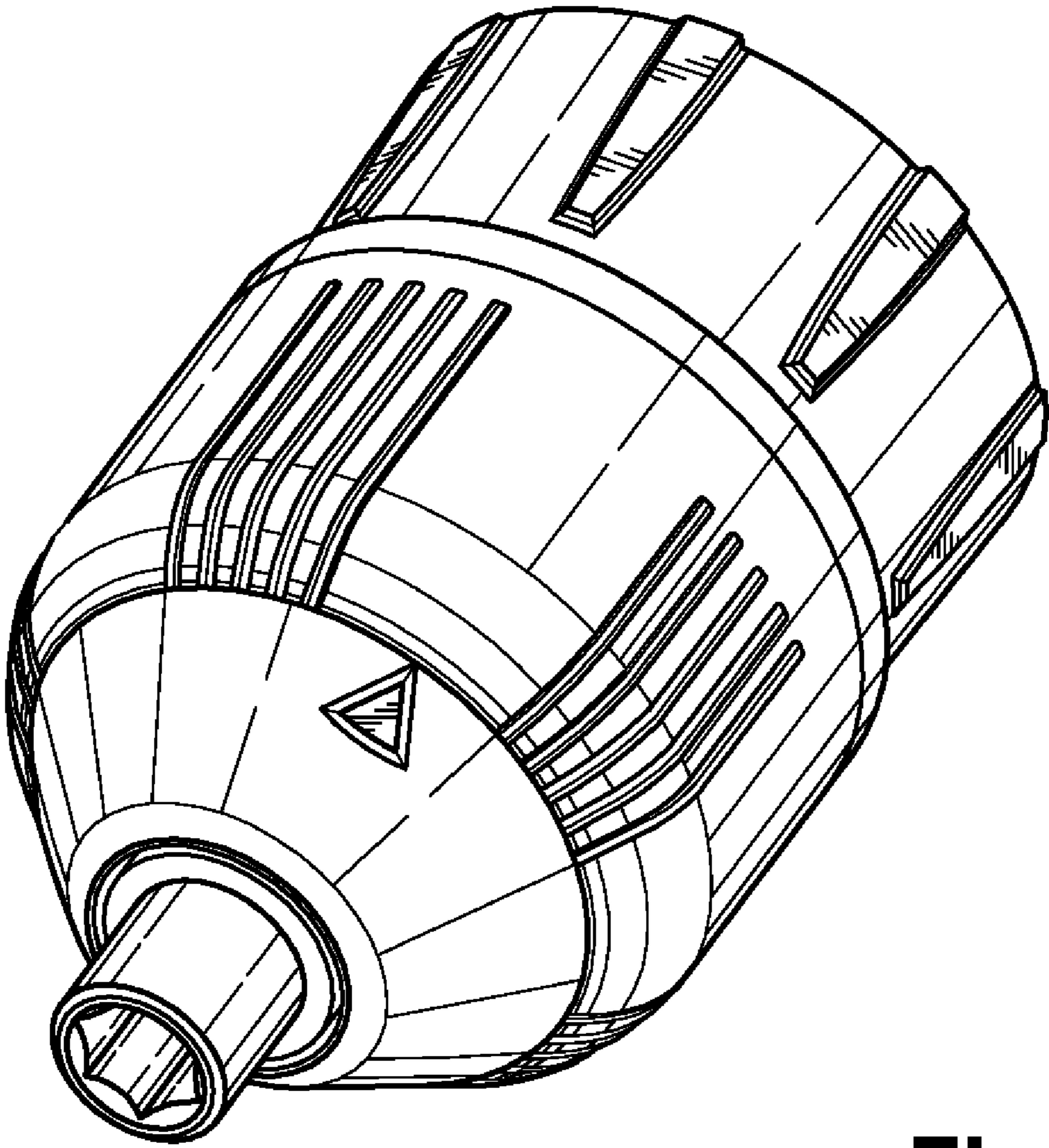


Fig. 1

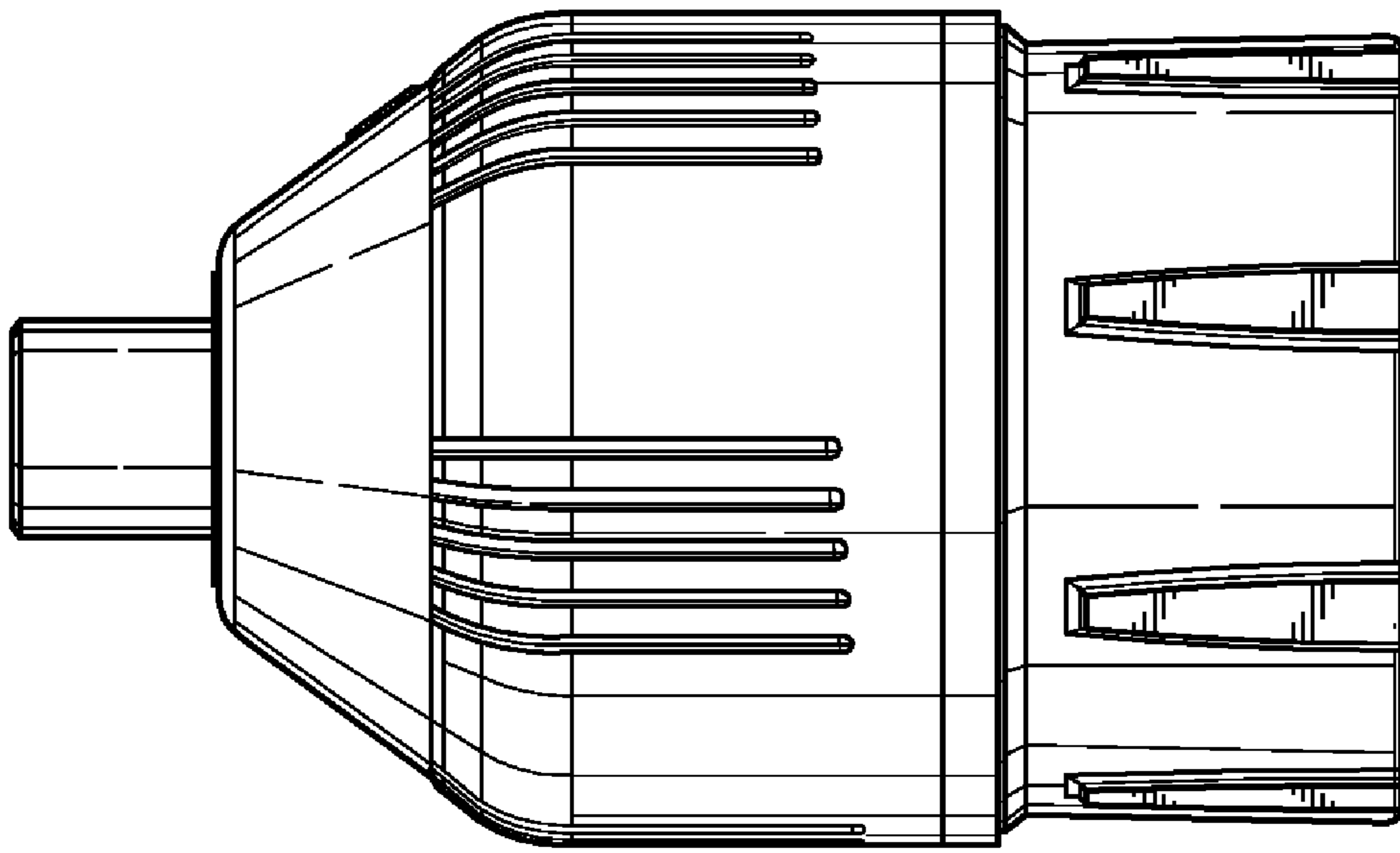


Fig. 2

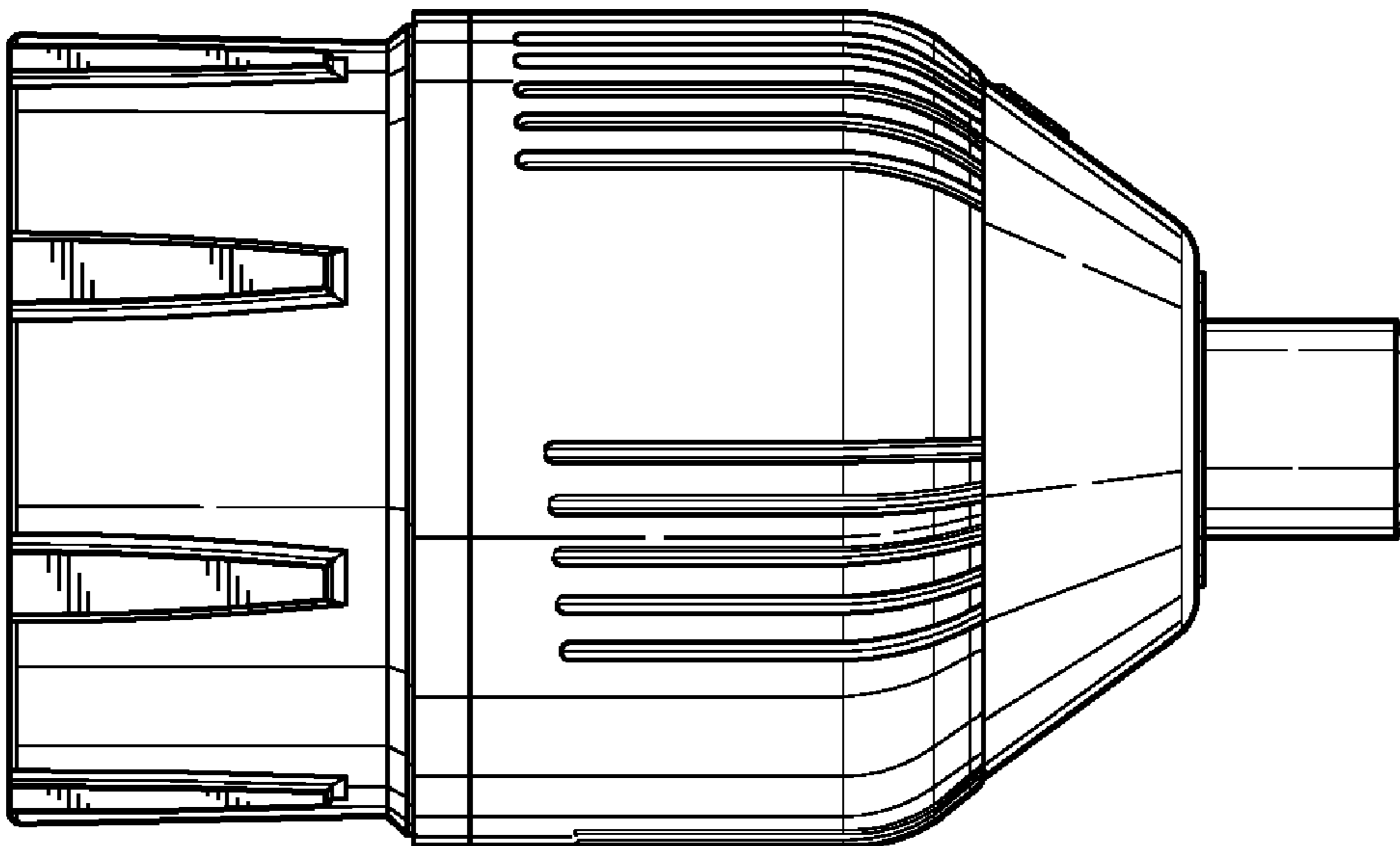


Fig. 3

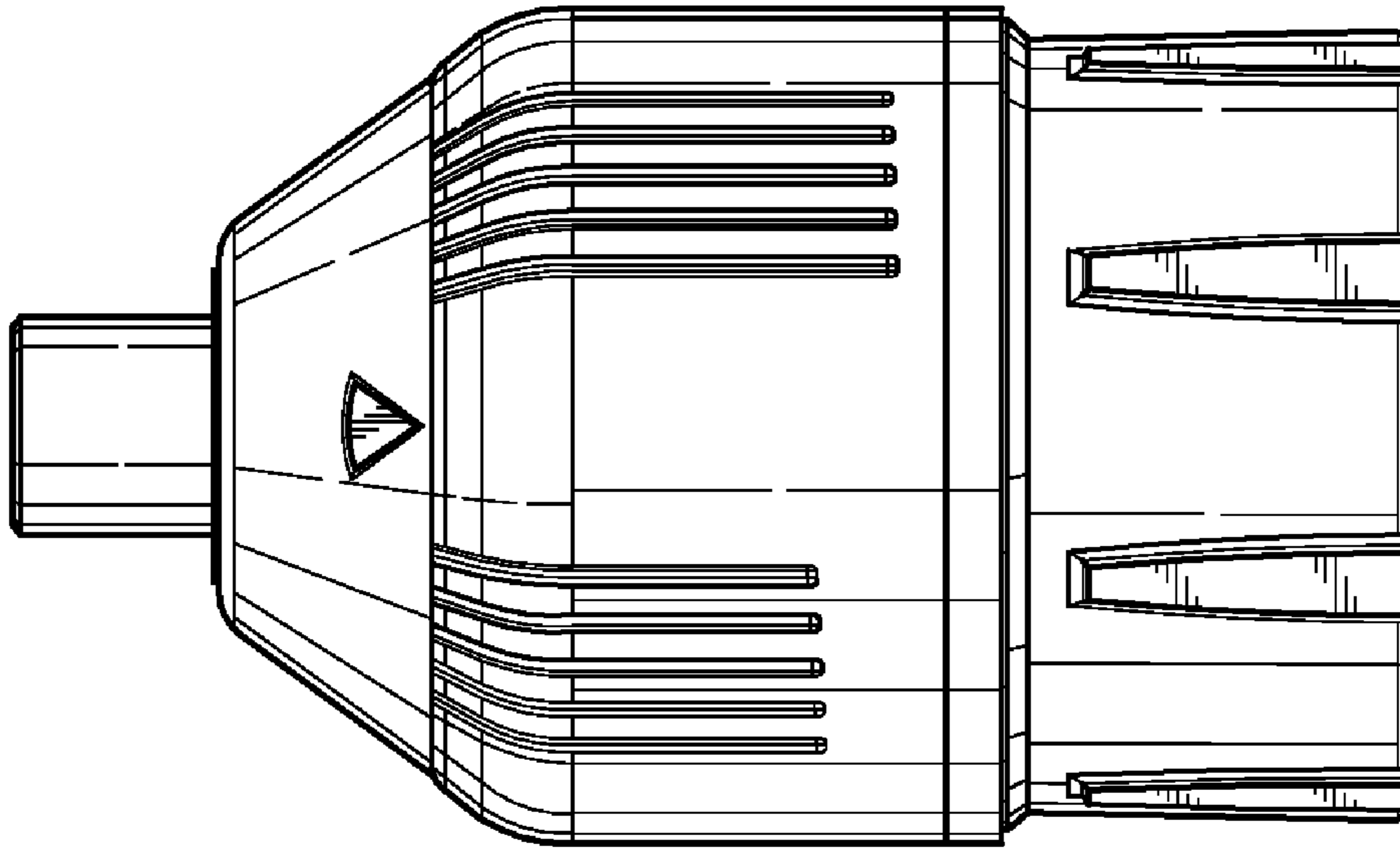


Fig. 4

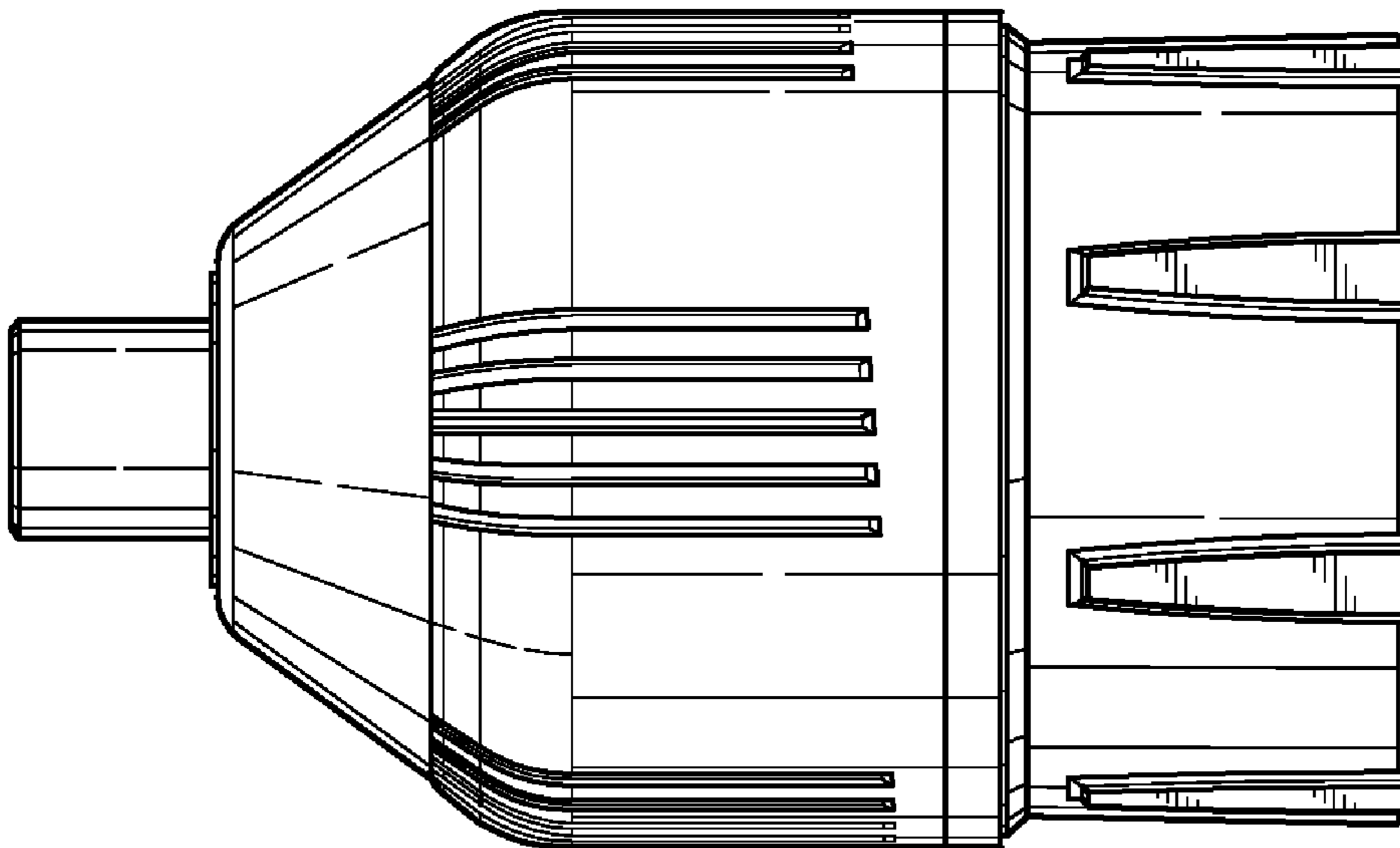


Fig. 5

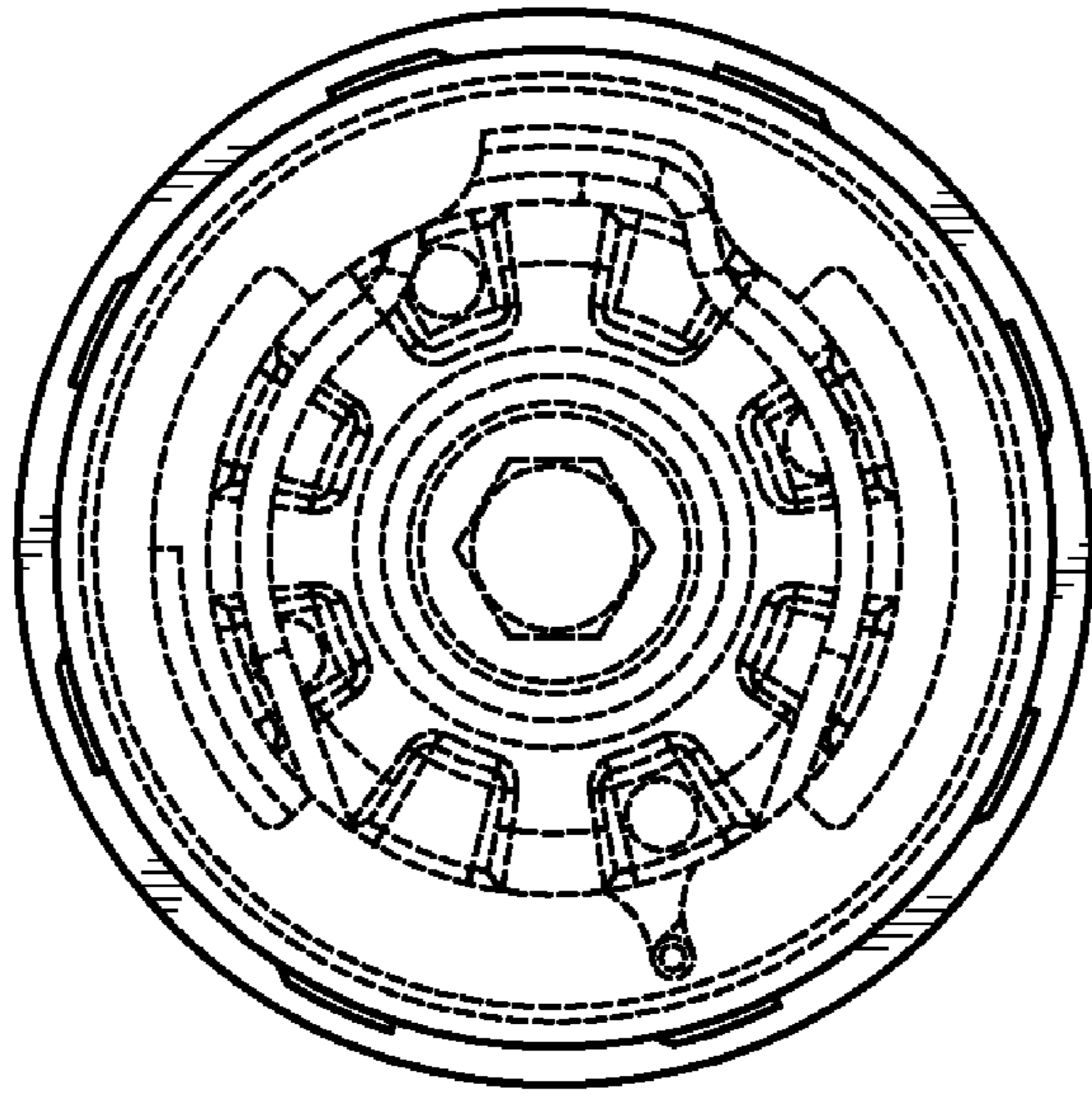


Fig. 6

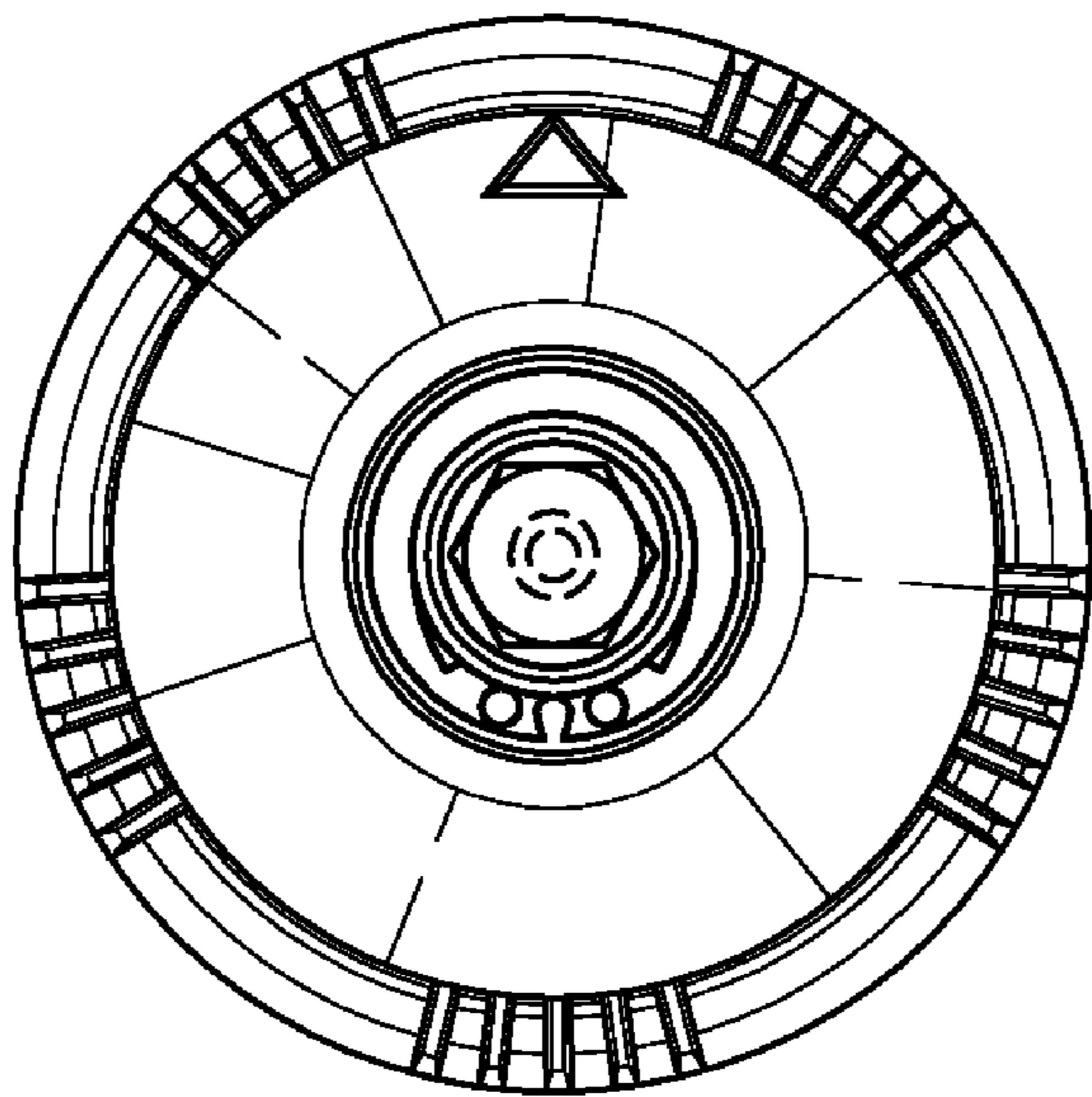


Fig. 7