

US00D590227S

(12) **United States Design Patent**  
**Yun**

(10) **Patent No.:** **US D590,227 S**

(45) **Date of Patent:** **\*\* Apr. 14, 2009**

(54) **SAFETY DEBRIS COLLECTING DEVICE  
FOR A HAND HELD POWER TOOL**

(76) **Inventor:** **Song-Moon Yun**, 1655 Makaloa St., Apt.  
1309, Honolulu, HI (US) 96814

(\*\*) **Term:** **14 Years**

(21) **Appl. No.:** **29/258,054**

(22) **Filed:** **Apr. 14, 2006**

(51) **LOC (9) Cl.** ..... **08-05**

(52) **U.S. Cl.** ..... **D8/70**

(58) **Field of Classification Search** ..... D8/61-71,  
D8/90, 363; D15/124-126, 138-140; D12/207,  
D12/223; 83/665; 451/41, 47, 56, 324, 342,  
451/347-349, 357-360, 364, 388, 406, 420-423,  
451/451, 547-549

See application file for complete search history.

(56) **References Cited**

**U.S. PATENT DOCUMENTS**

2,792,199	A *	5/1957	Becker et al.	175/211
2,907,146	A *	10/1959	Dyar	451/529
3,339,435	A	9/1967	Walter-Helmut	
3,583,821	A	6/1971	Shaub et al.	
D225,715	S *	1/1973	McCord	D8/71
3,934,661	A *	1/1976	Sauerwein et al.	175/211
3,936,213	A *	2/1976	Kappel	408/67
4,072,042	A *	2/1978	Servin et al.	72/457
4,848,980	A	7/1989	Broussard	
4,921,375	A *	5/1990	Famulari	408/67
4,955,984	A	9/1990	Cuevas	
5,061,123	A	10/1991	Broussard	
5,160,230	A	11/1992	Cuevas	
D333,247	S *	2/1993	Juliano	D8/70
5,292,210	A *	3/1994	Nowick	408/67
5,653,561	A	8/1997	May	

6,071,184	A *	6/2000	Anderson, III	451/398
6,079,078	A *	6/2000	Byington	15/339
6,814,527	B1	11/2004	Fleming	
6,830,113	B2 *	12/2004	Moore et al.	173/198
D542,313	S *	5/2007	Skradski et al.	D15/138

**FOREIGN PATENT DOCUMENTS**

FR	2 716 822	*	3/1994
JP	2004306212	*	11/2004
WO	WO 00/41453	*	7/2000

\* cited by examiner

*Primary Examiner*—T. Chase Nelson

*Assistant Examiner*—Karen Acker

(74) *Attorney, Agent, or Firm*—Peter Chin

(57) **CLAIM**

The ornamental design for a safety debris collecting device for a hand held power tool, as shown and described.

**DESCRIPTION**

FIG. 1 is an exploded side elevation view of a safety debris collecting device for a hand held power tool showing my new design, the opposite side view being a mirror image of that shown;

FIG. 2 is a side elevation view thereof in an assembled condition;

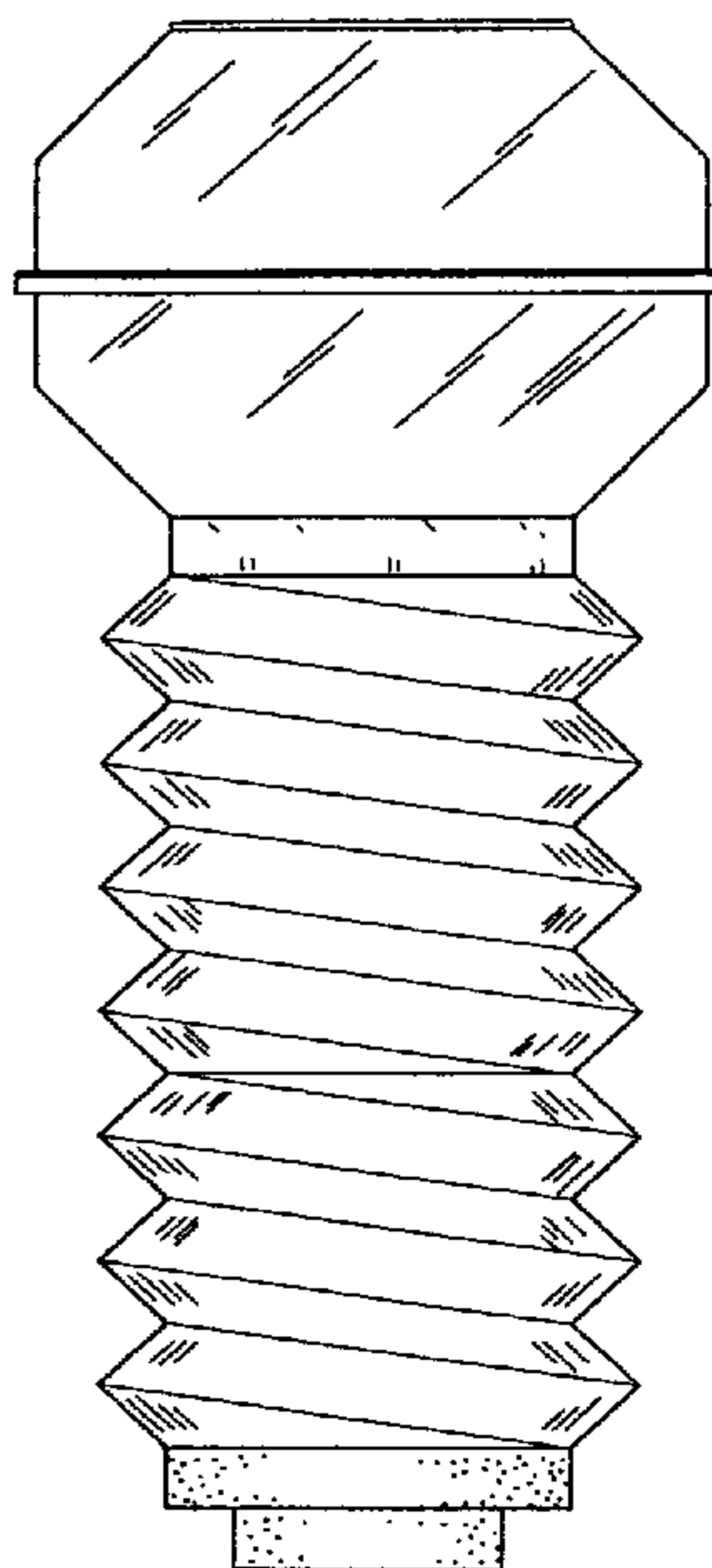
FIG. 3 is a front elevational view thereof showing alternative position for storage in which all the elements are compressed and stored within the debris collecting container portion of the safety debris collecting device for a hand held power tool;

FIG. 4 is a bottom plan view of FIG. 2;

FIG. 5 is a top plan view of FIG. 2; and,

FIG. 6 is an enlarged view of circled region 6 of FIG. 1.

**1 Claim, 2 Drawing Sheets**



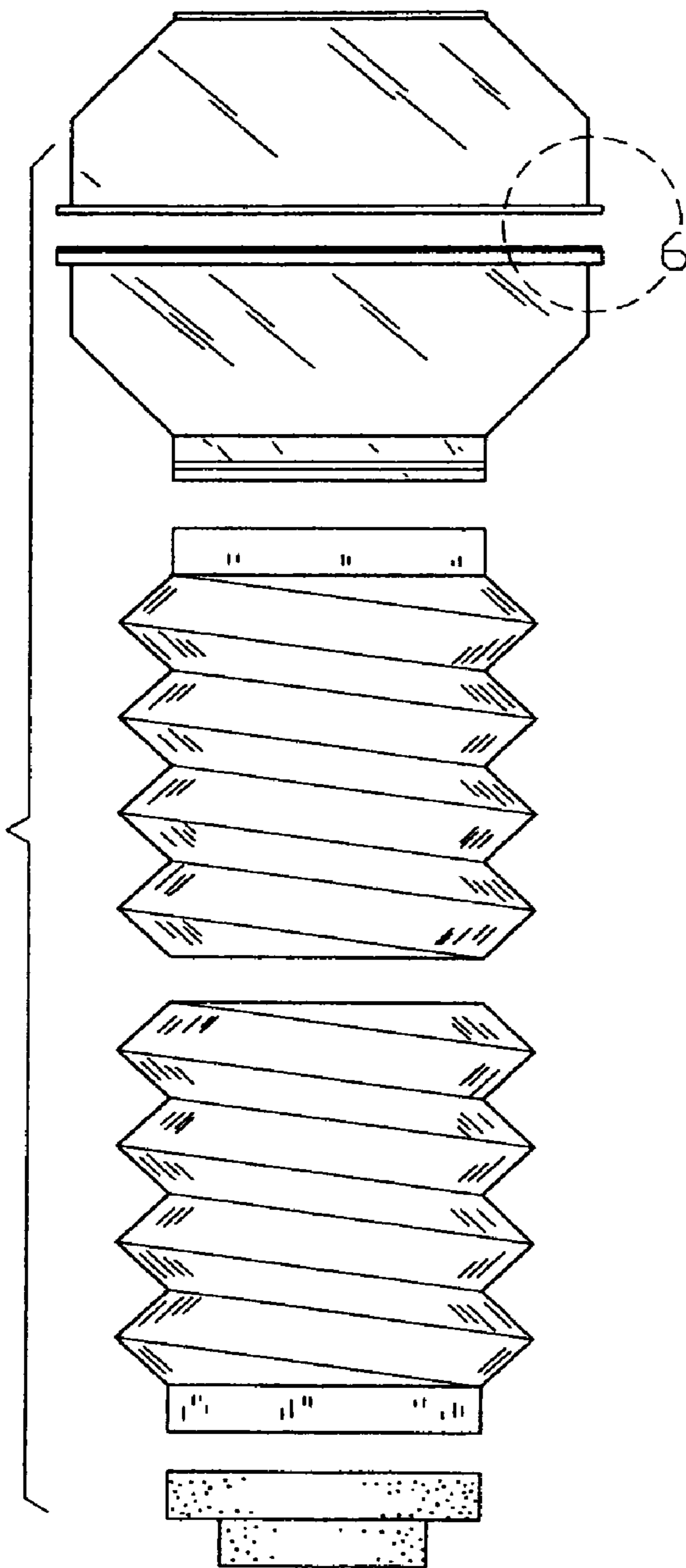


FIG. 1

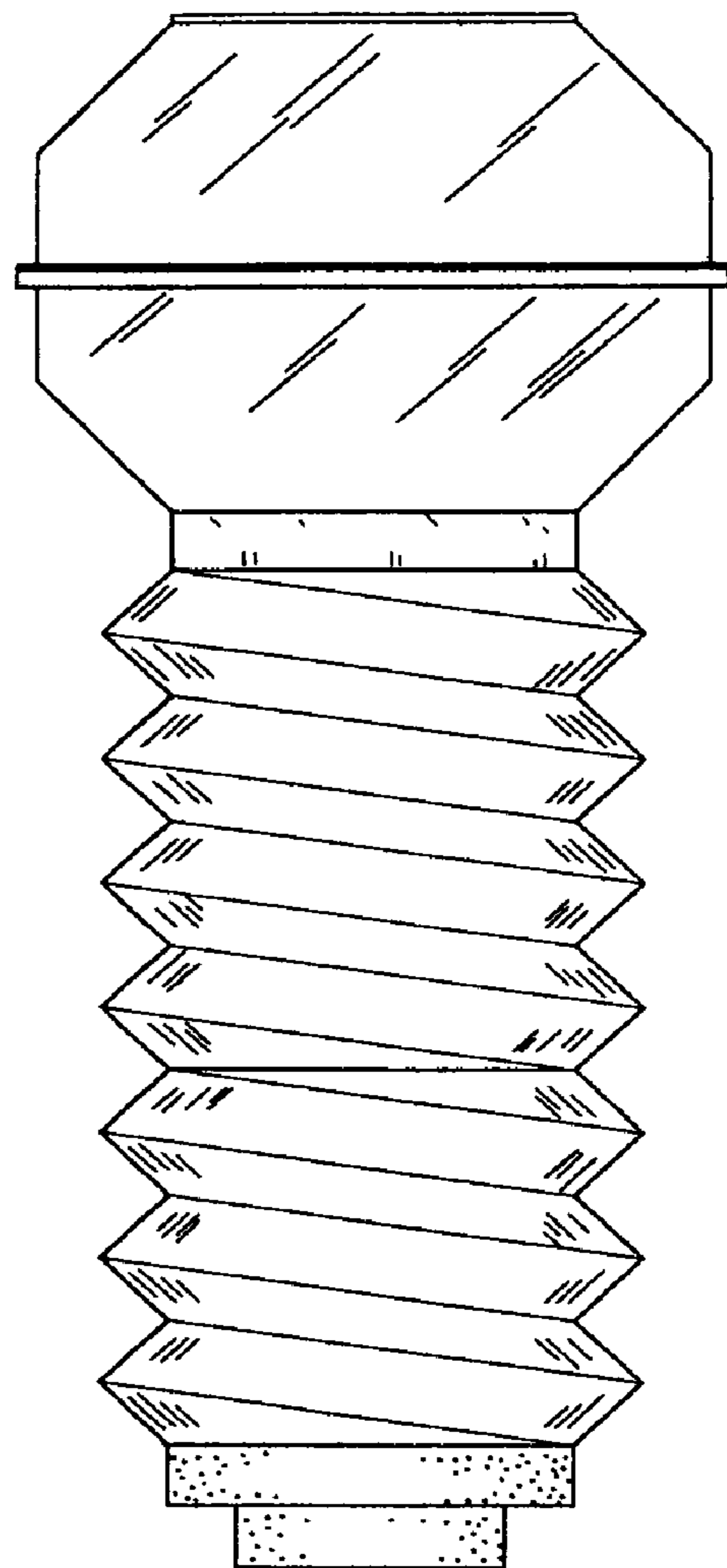


FIG. 2

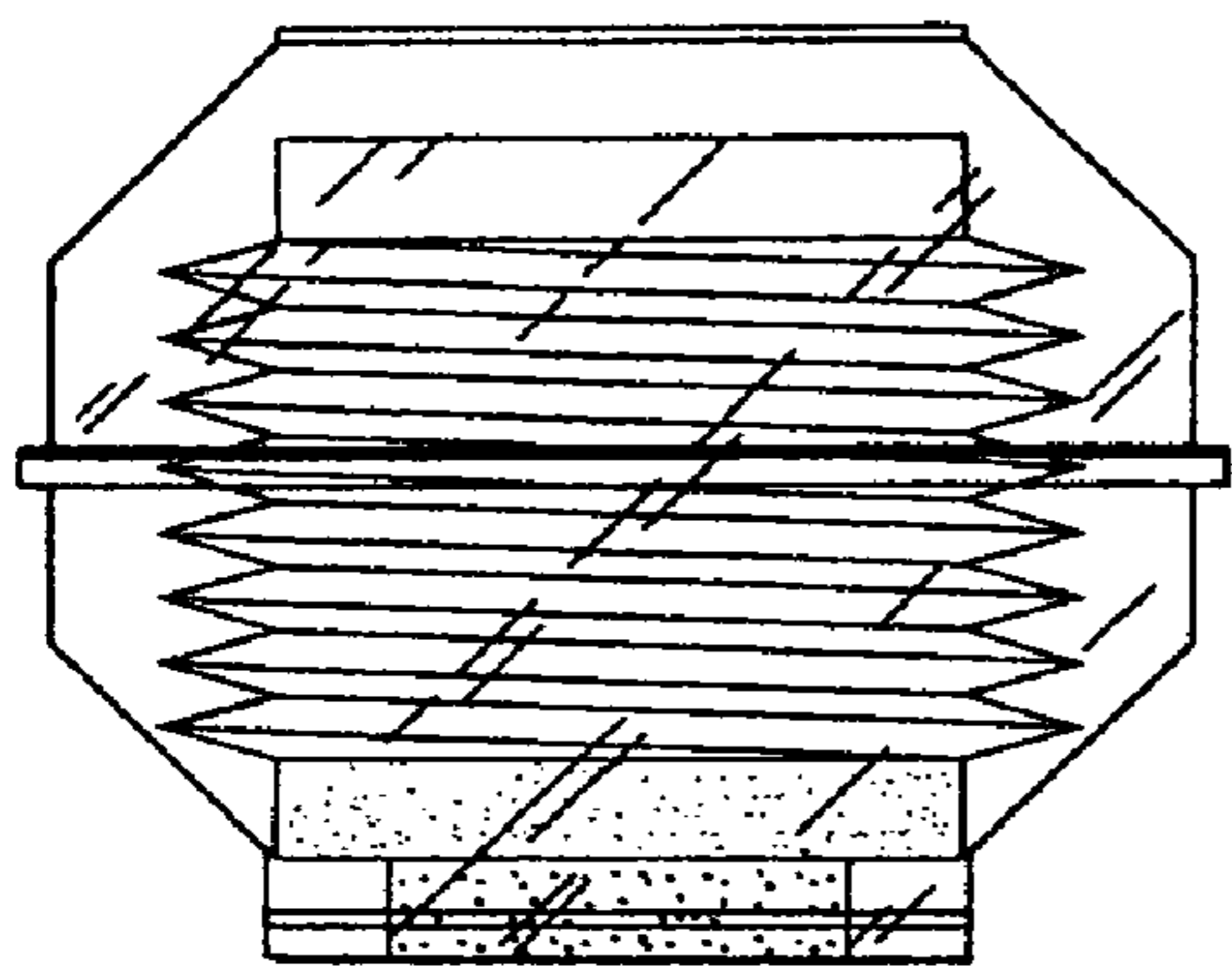


FIG. 3

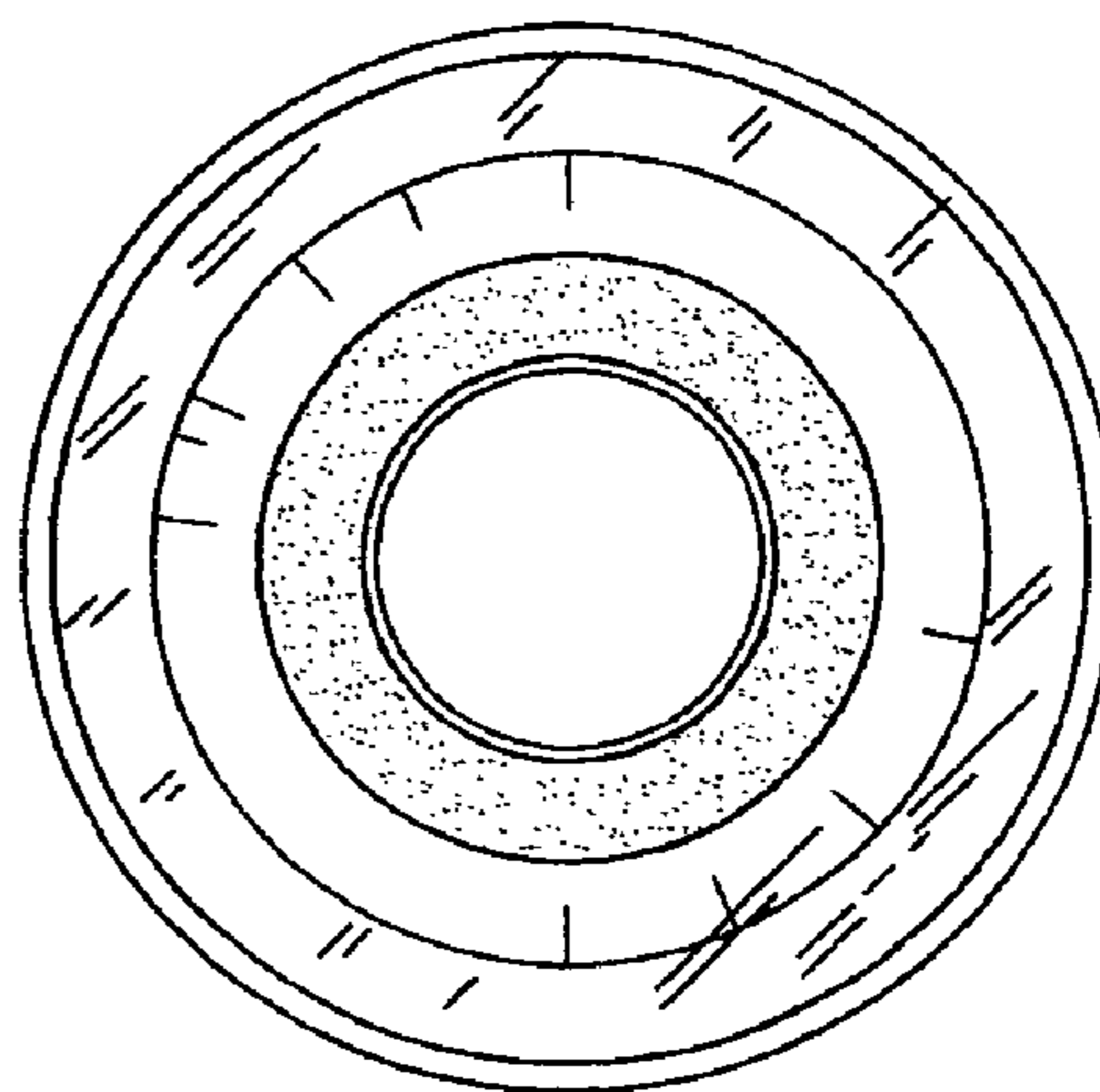


FIG. 4

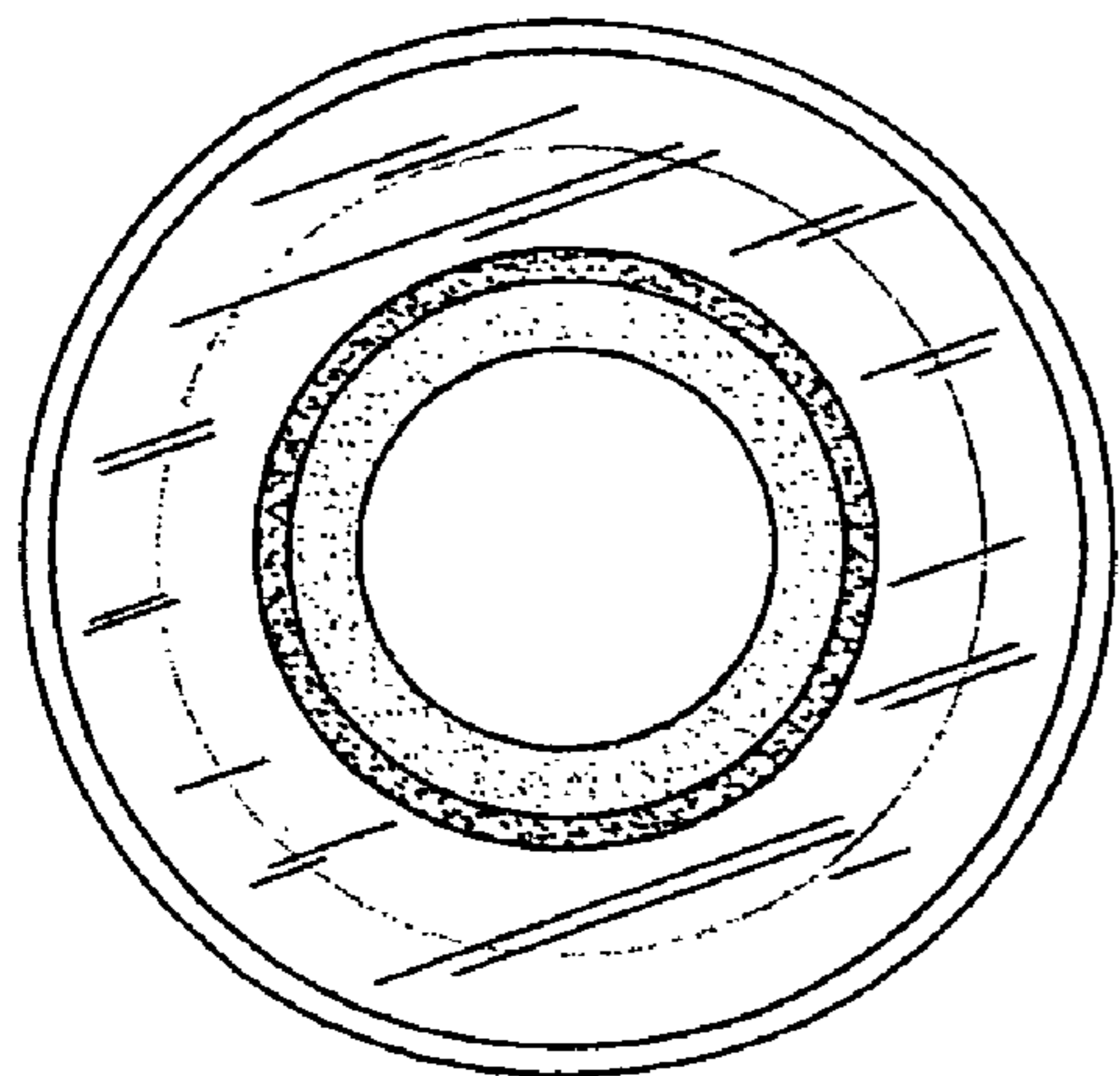


FIG. 5

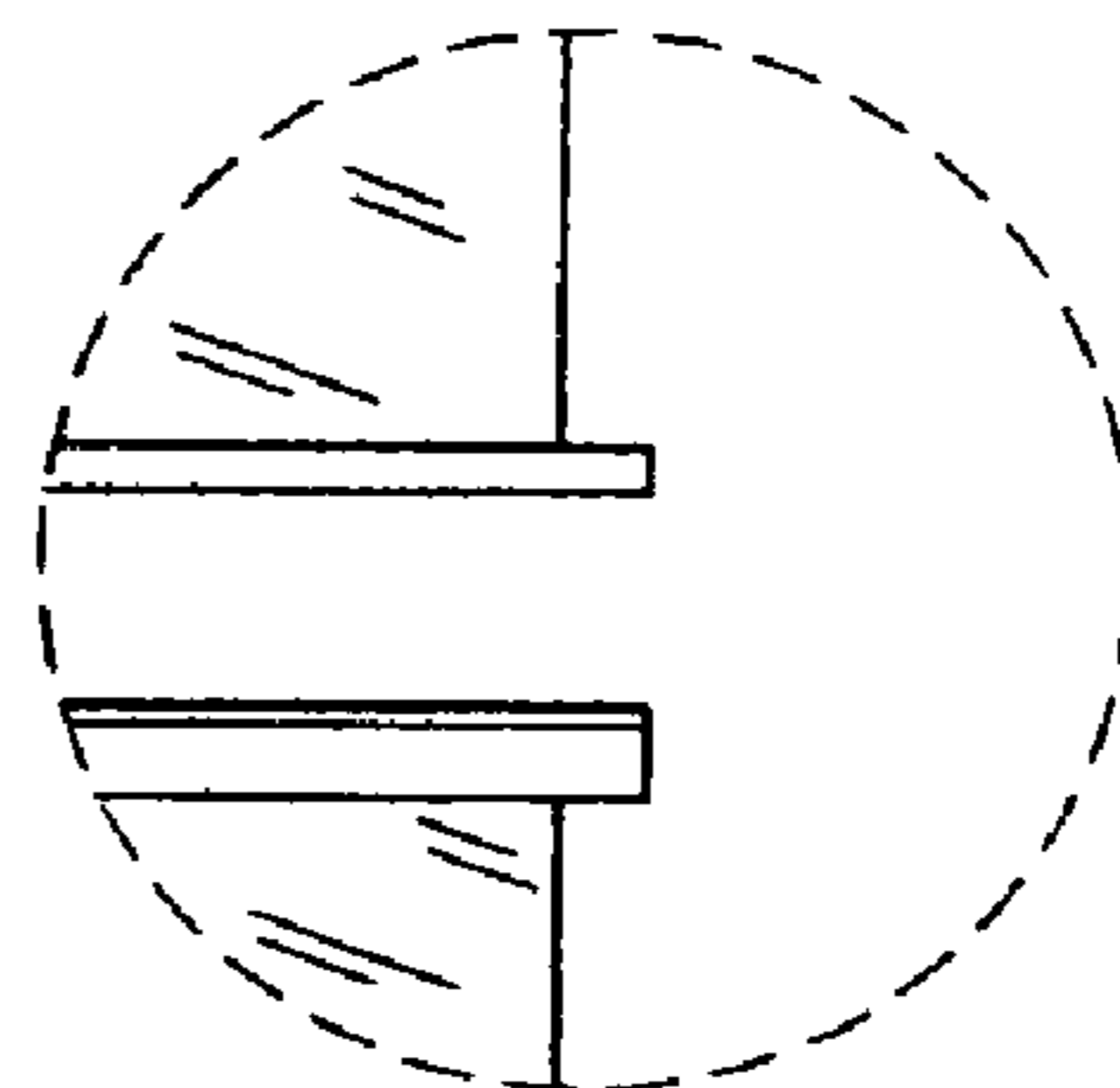


FIG. 6