



US00D590224S

(12) **United States Design Patent**
Honsa

(10) **Patent No.:** **US D590,224 S**
(45) **Date of Patent:** **** Apr. 14, 2009**

(54) **POWER TOOL**

(75) Inventor: **Thomas W. Honsa**, Milan, IL (US)

(73) Assignee: **Honsa Ergonomic Technologies, Inc.**,
Milan, IL (US)

(**) Term: **14 Years**

(21) Appl. No.: **29/323,801**

(22) Filed: **Aug. 29, 2008**

(51) **LOC (9) Cl.** **08-01**

(52) **U.S. Cl.** **D8/61**

(58) **Field of Classification Search** D8/61-64,
D8/66-70; 81/57, 57.11, 57.14, 57.26, 429,
81/464, 469; 173/90, 114, 15, 47, 48, 109,
173/169; 30/375, 376, 377, 388, 389, 390,
30/391, 392, 393; 91/317, 239

See application file for complete search history.

(56) **References Cited**

U.S. PATENT DOCUMENTS

| | | | | | |
|--------------|------|---------|-------------------|-------|---------|
| 1,604,011 | A * | 10/1926 | Zimmermann | | 91/239 |
| 2,788,768 | A * | 4/1957 | Fischer | | 91/317 |
| D464,548 | S * | 10/2002 | Morgan | | D8/64 |
| D565,915 | S * | 4/2008 | Su | | D8/61 |
| 2002/0134562 | A1 * | 9/2002 | Paul | | 173/114 |
| 2002/0197939 | A1 * | 12/2002 | Frauhammer et al. | | 451/64 |

2004/0003931 A1* 1/2004 Mueller et al. 173/90
2004/0206859 A1* 10/2004 Chong et al. 248/121

* cited by examiner

Primary Examiner—Cathron C Brooks

Assistant Examiner—Austin Murphy

(74) *Attorney, Agent, or Firm*—Hamilton IP Law, PC; Jay R. Hamilton; Charles A. Damschen

(57) **CLAIM**

The ornamental design for a power tool, as shown and described.

DESCRIPTION

Applicant filed a Utility patent application having Ser. No. 12/202,196 on Aug. 29, 2008.

FIG. 1 is a front perspective view showing my new design;

FIG. 2 is a right side view thereof;

FIG. 3 is a left side view thereof;

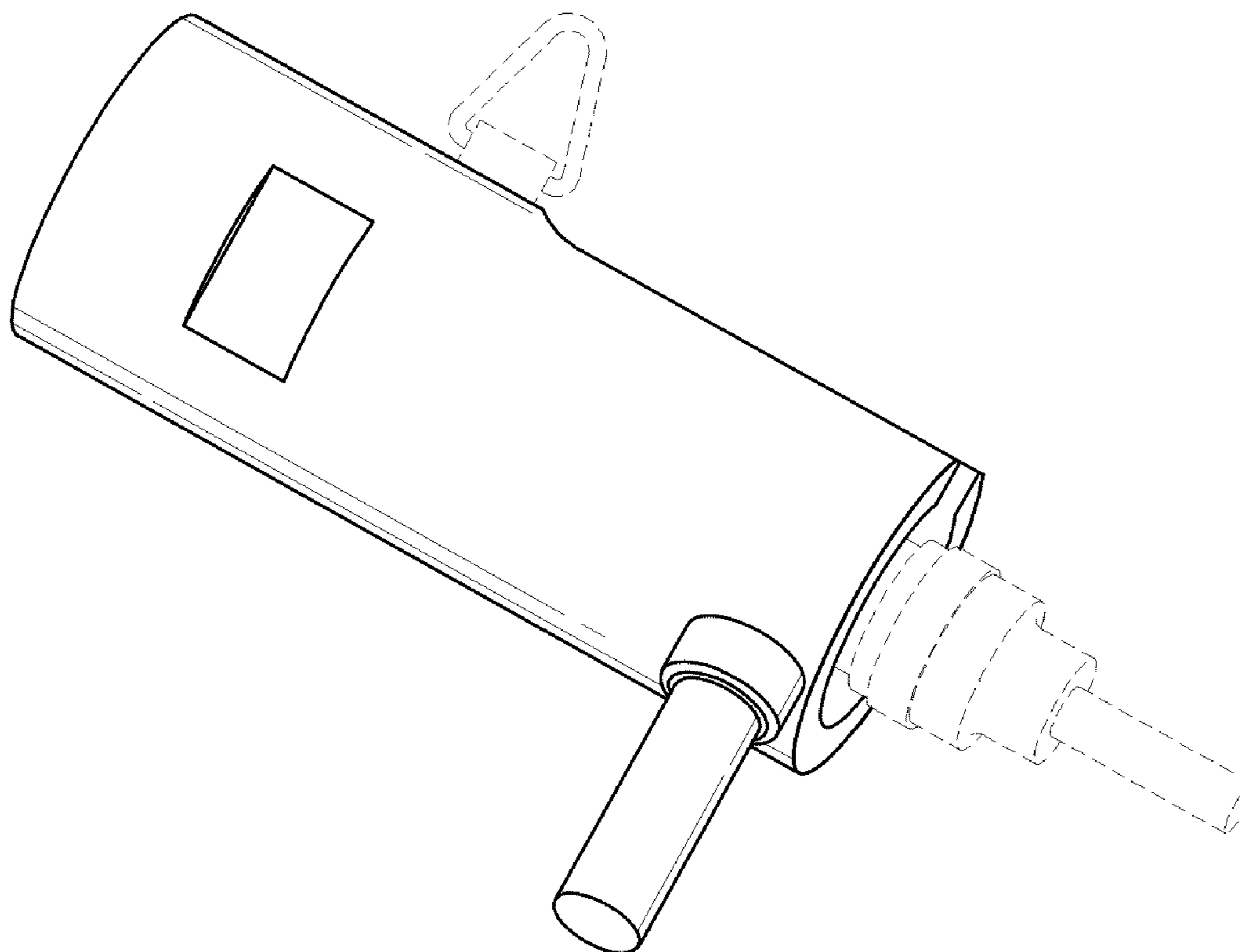
FIG. 4 is a front view thereof;

FIG. 5 top view thereof; and,

FIG. 6 is a left perspective view thereof.

The broken lines shown in the drawings form no part of the claimed design.

1 Claim, 6 Drawing Sheets



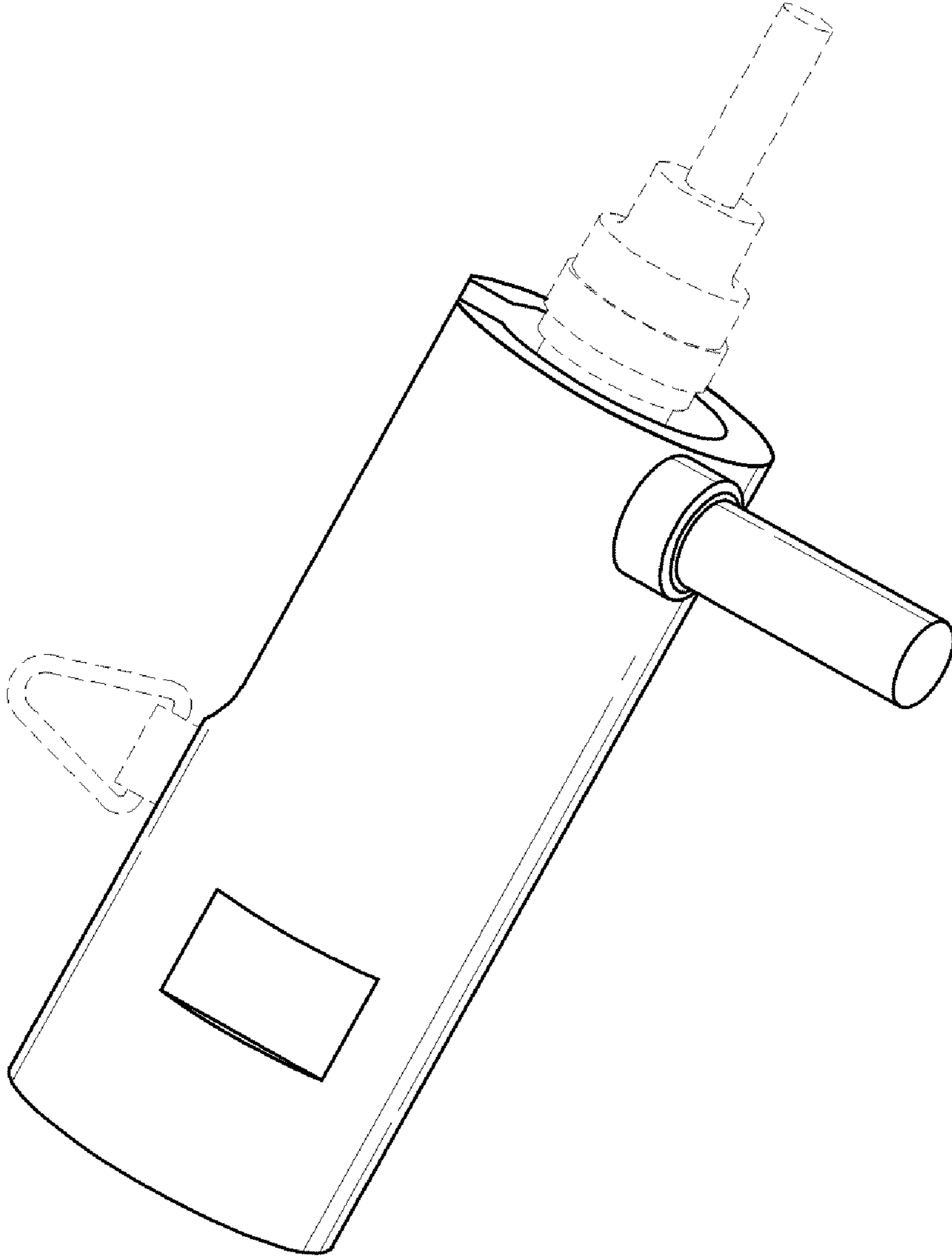


FIG. 1

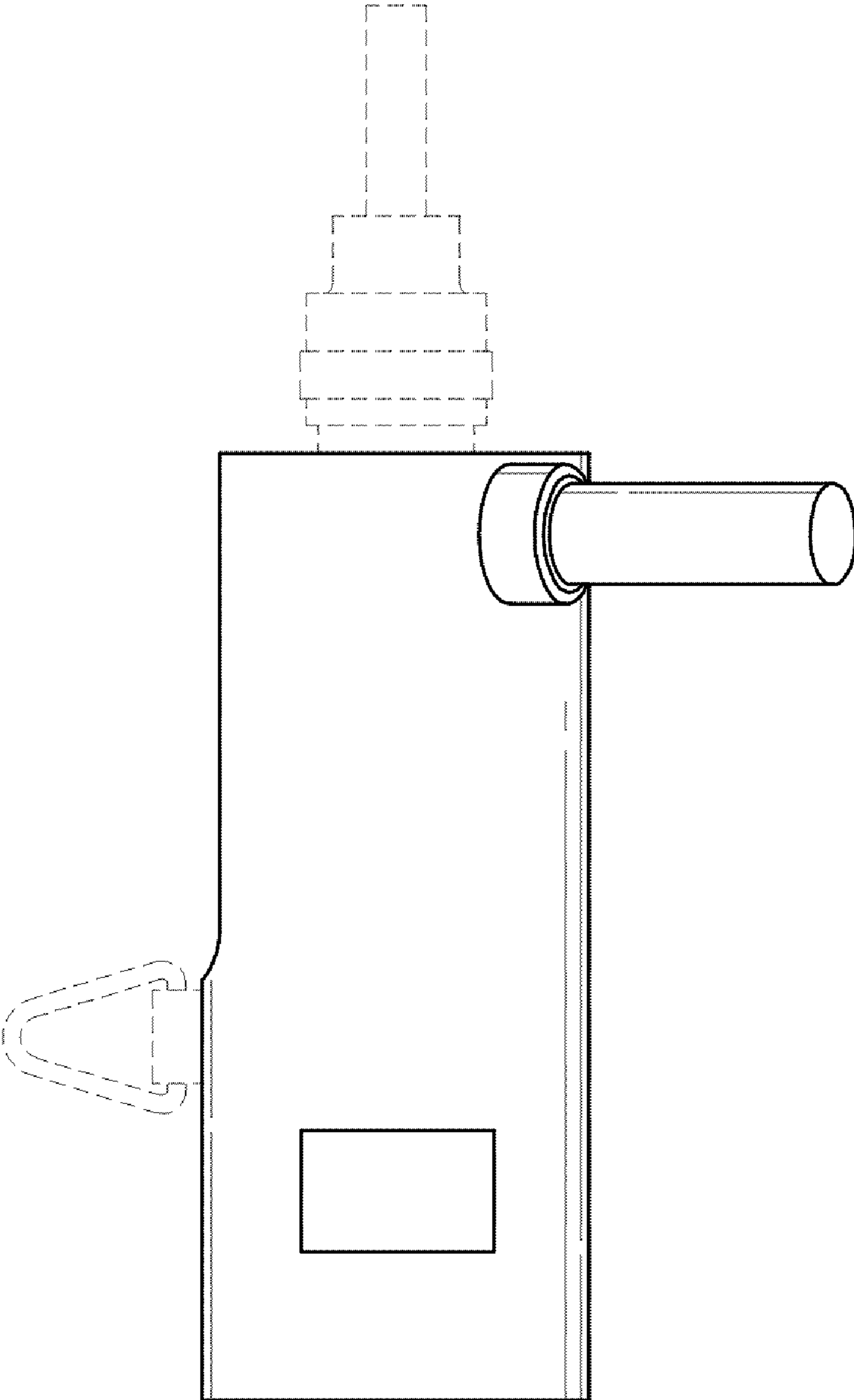


FIG. 2

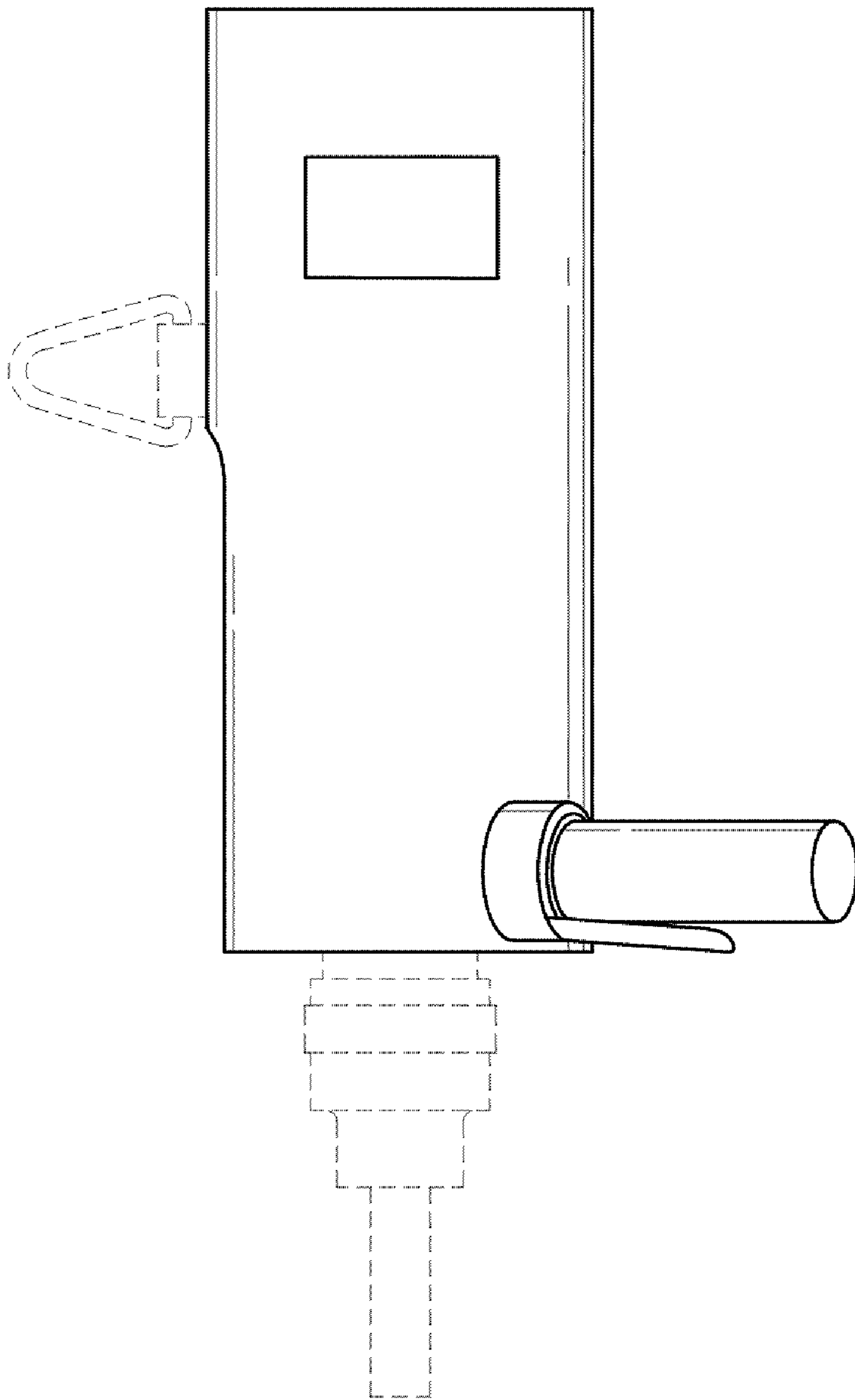


FIG. 3

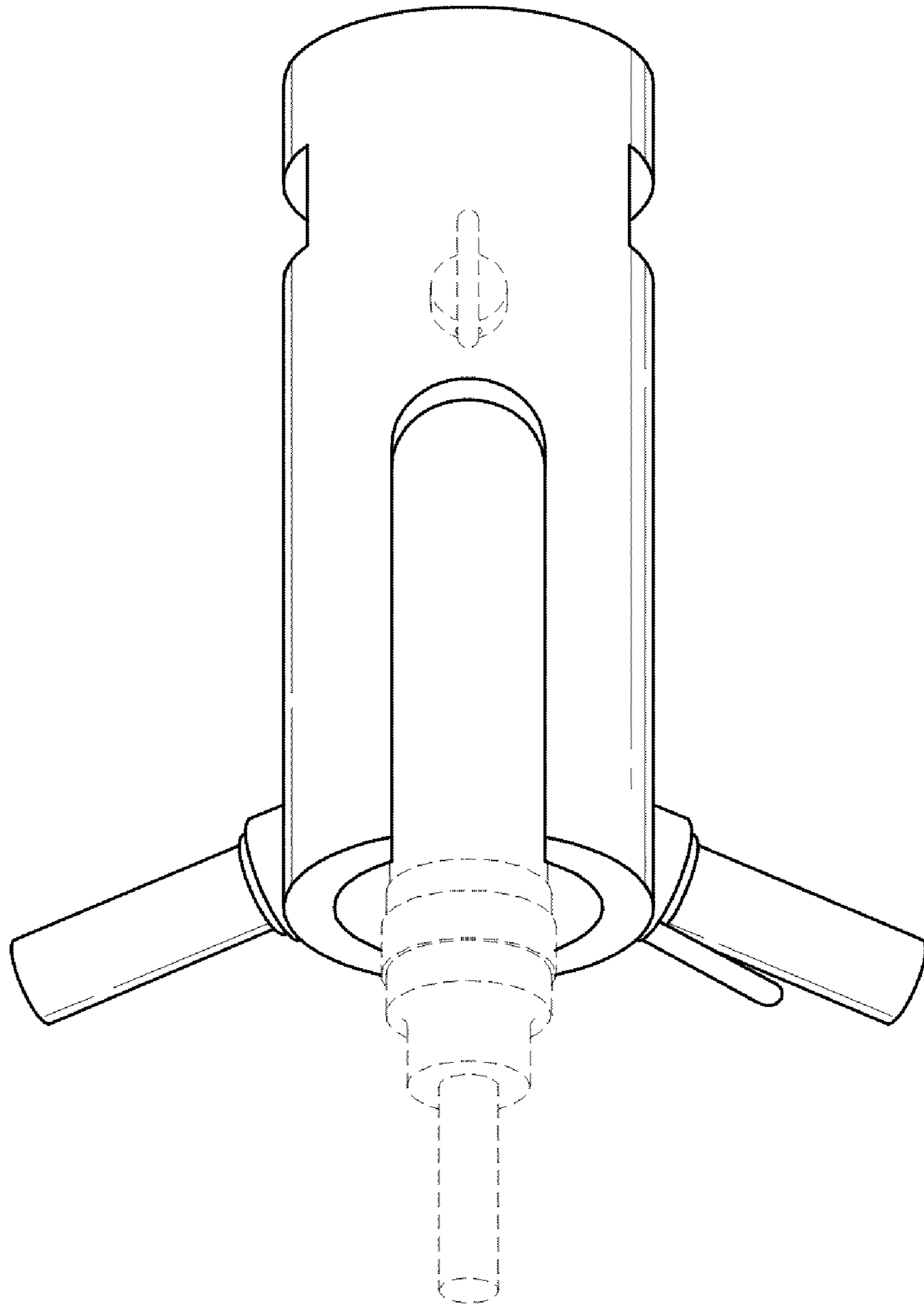


FIG. 4

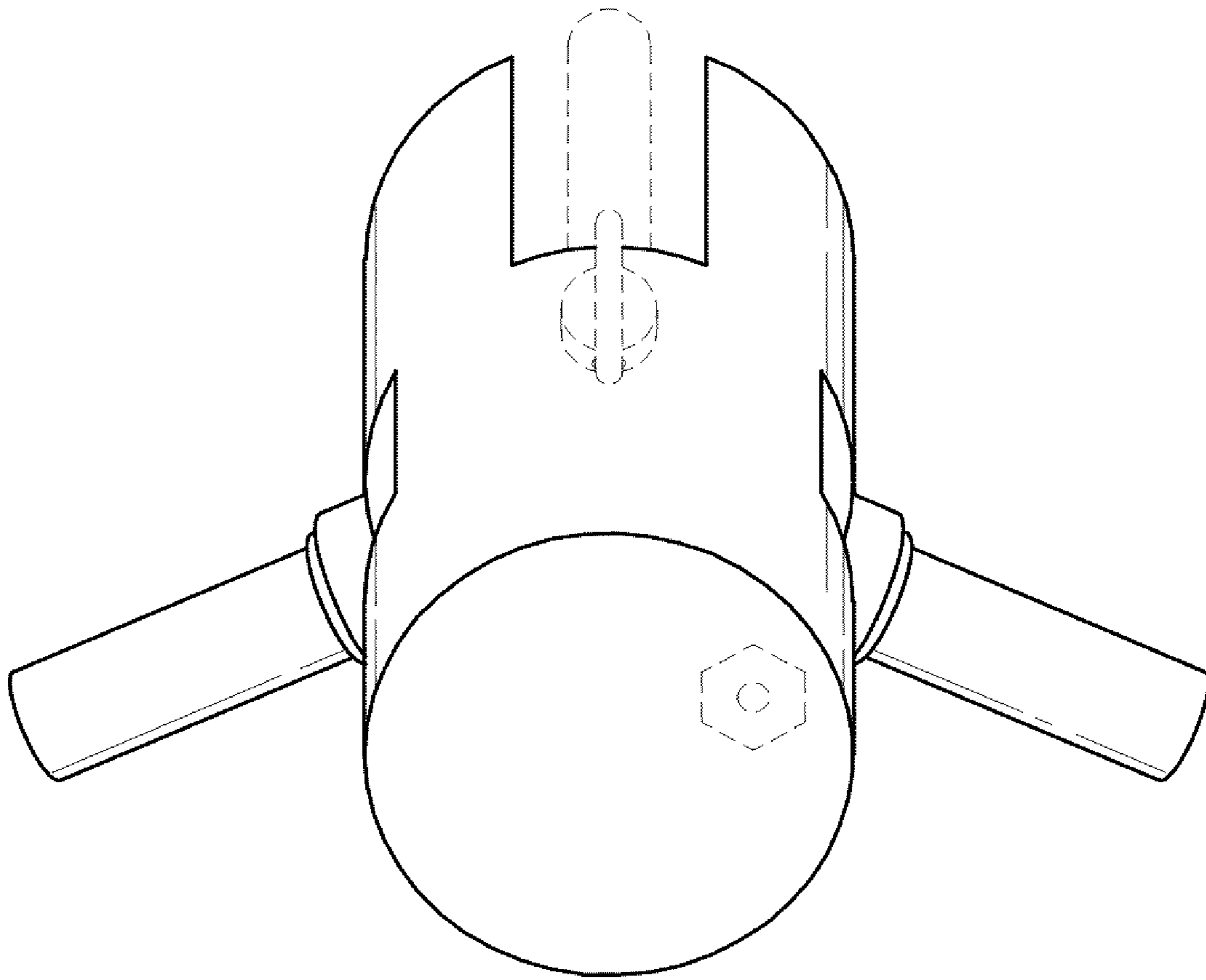


FIG. 5

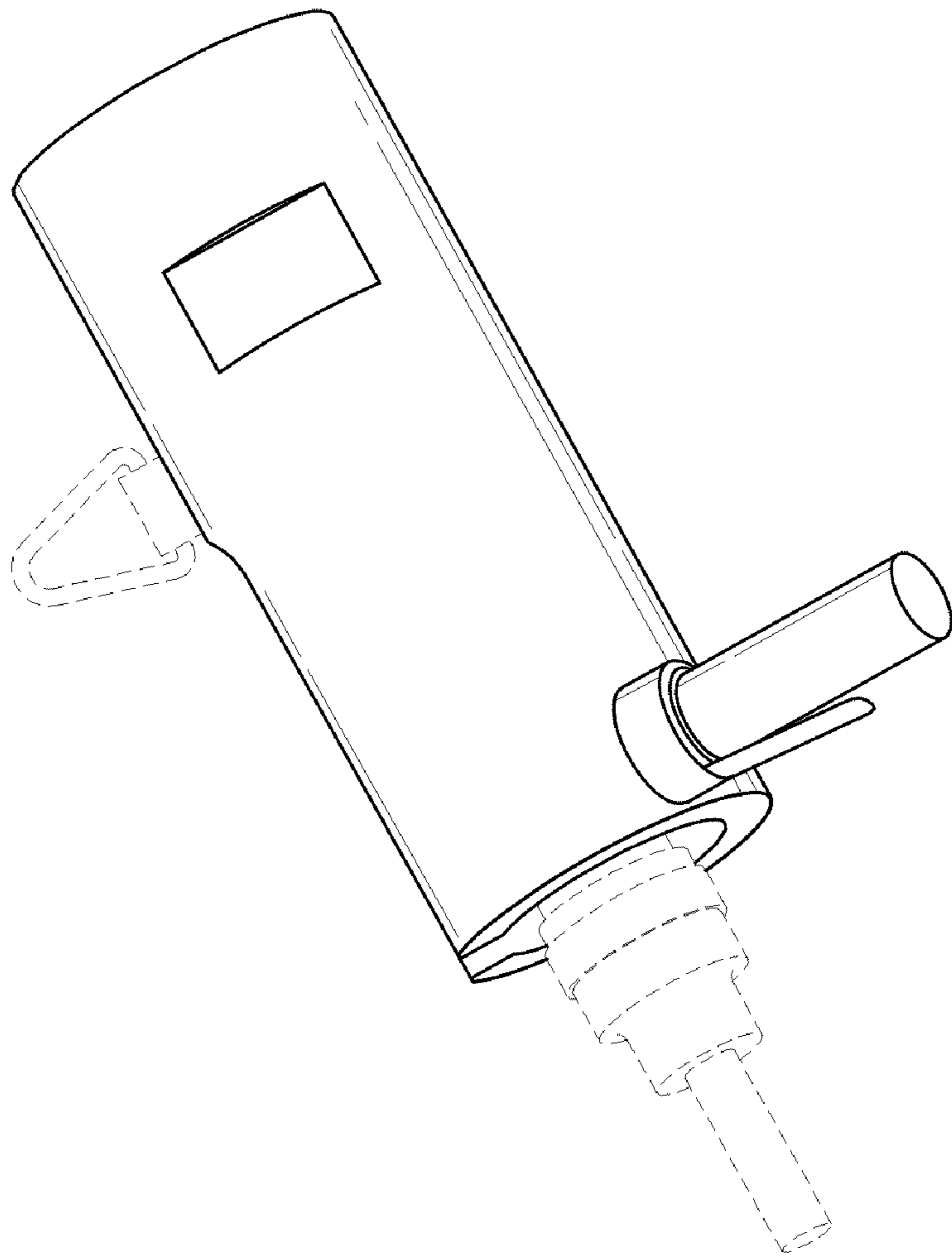


FIG. 6