

US00D590222S

(12) **United States Design Patent**
Krause et al.

(10) **Patent No.:** **US D590,222 S**
(45) **Date of Patent:** **** Apr. 14, 2009**

(54) **SHOVEL HOE**

(76) Inventors: **Carl Robert Krause**, 243 Lake Ella Rd.,
Fruitland Park, FL (US) 34731; **John L.
Schaller**, 707 Cindy Ave., Fruitland
Park, FL (US) 34731

(**) Term: **14 Years**

(21) Appl. No.: **29/303,370**

(22) Filed: **Feb. 7, 2008**

Related U.S. Application Data

(63) Continuation-in-part of application No. 29/271,929,
filed on Jan. 30, 2007, now abandoned.

(51) **LOC (9) Cl.** **08-01**

(52) **U.S. Cl.** **D8/10**

(58) **Field of Classification Search** D8/1,
D8/7, 10, 11; 30/314; 7/116; 172/387; 294/49
See application file for complete search history.

(56) **References Cited**

U.S. PATENT DOCUMENTS

1,478,204	A	12/1923	Wiprud	
1,504,913	A	8/1924	Anselmo	
1,689,886	A	10/1928	Meents	
2,931,445	A *	4/1960	Meredich 172/375
3,824,641	A	7/1974	Shandel	
D272,799	S	2/1984	Pluss	
D376,519	S	12/1996	Yates	
D383,951	S	9/1997	Dutchak	
5,791,708	A	8/1998	Capriotti	
D431,980	S	10/2000	Yarbrough	
6,694,717	B1	2/2004	Dedrick	
D500,432	S	1/2005	Villani	
D578,846	S *	10/2008	Coats D8/10

* cited by examiner

Primary Examiner—Holly H Baynham

Assistant Examiner—Sheryl Lane

(74) *Attorney, Agent, or Firm*—Brian S. Steinberger; Law
Offices of Brian S. Steinberger, P.A.

(57) **CLAIM**

The ornamental design for a shovel hoe, as shown and
described.

DESCRIPTION

FIG. 1 is a front view of the novel shovel hoe design.

FIG. 2 is a rear view of the design of FIG. 1.

FIG. 3 is a left side view of the design of FIG. 1.

FIG. 4 is a right side view of the design of FIG. 1.

FIG. 5 is a top view of the design of FIG. 1.

FIG. 6 is a bottom view of the design of FIG. 1.

FIG. 7 is an upper front view of the design of FIG. 1.

FIG. 8 is a lower front view of the design of FIG. 1.

FIG. 9 is an upper right front perspective view of the design of
FIG. 1.

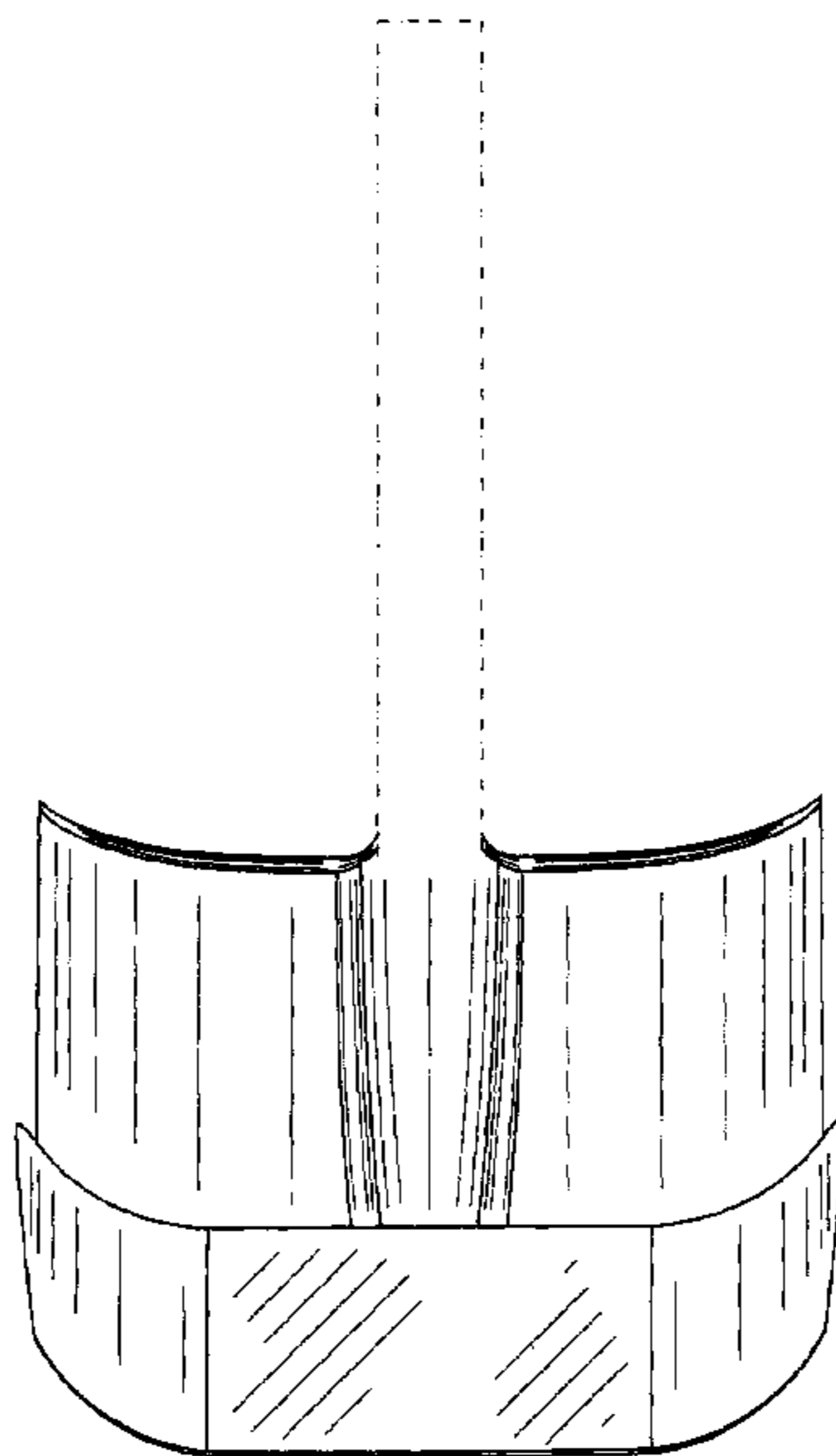
FIG. 10 is a lower right front perspective view of the design of
FIG. 1.

FIG. 11 is an upper right rear perspective view of the design
of FIG. 1; and,

FIG. 12 is a lower right rear perspective view of the design of
FIG. 1.

The broken lines showing of an upwardly raised attachment
section are for illustrative purposes and form no part of the
claimed design.

1 Claim, 12 Drawing Sheets



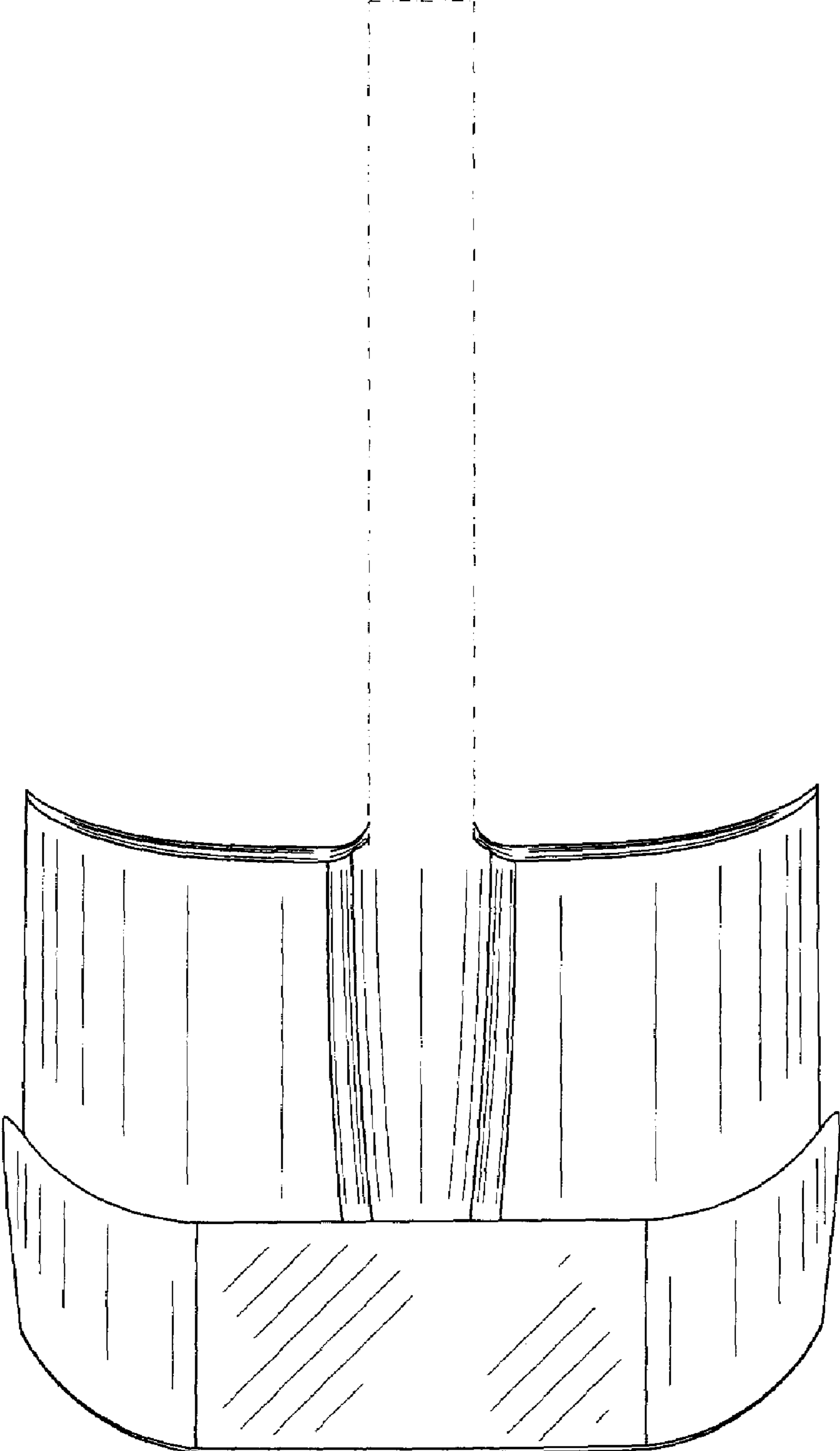


FIG. 1

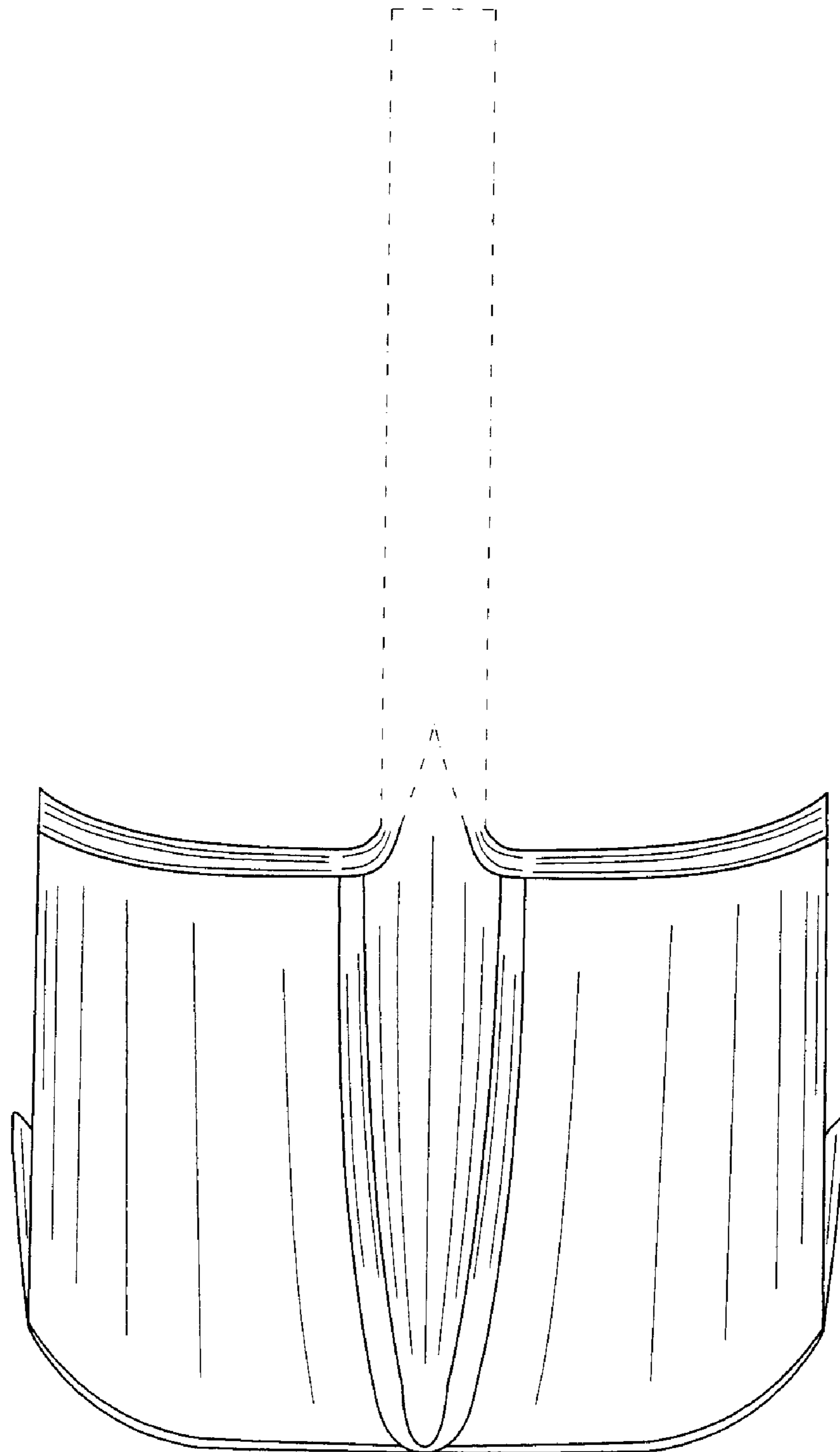


FIG. 2

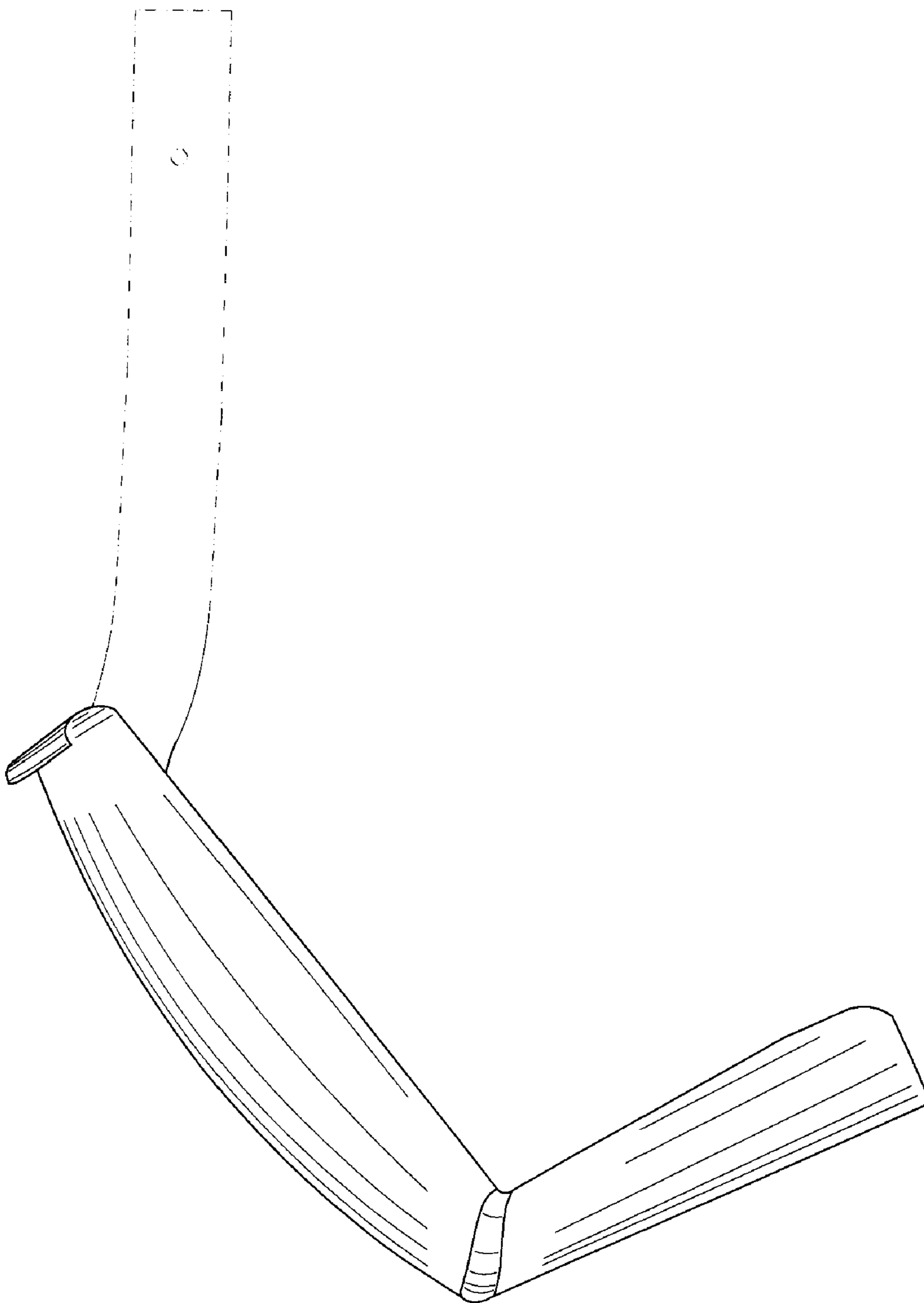


FIG. 3

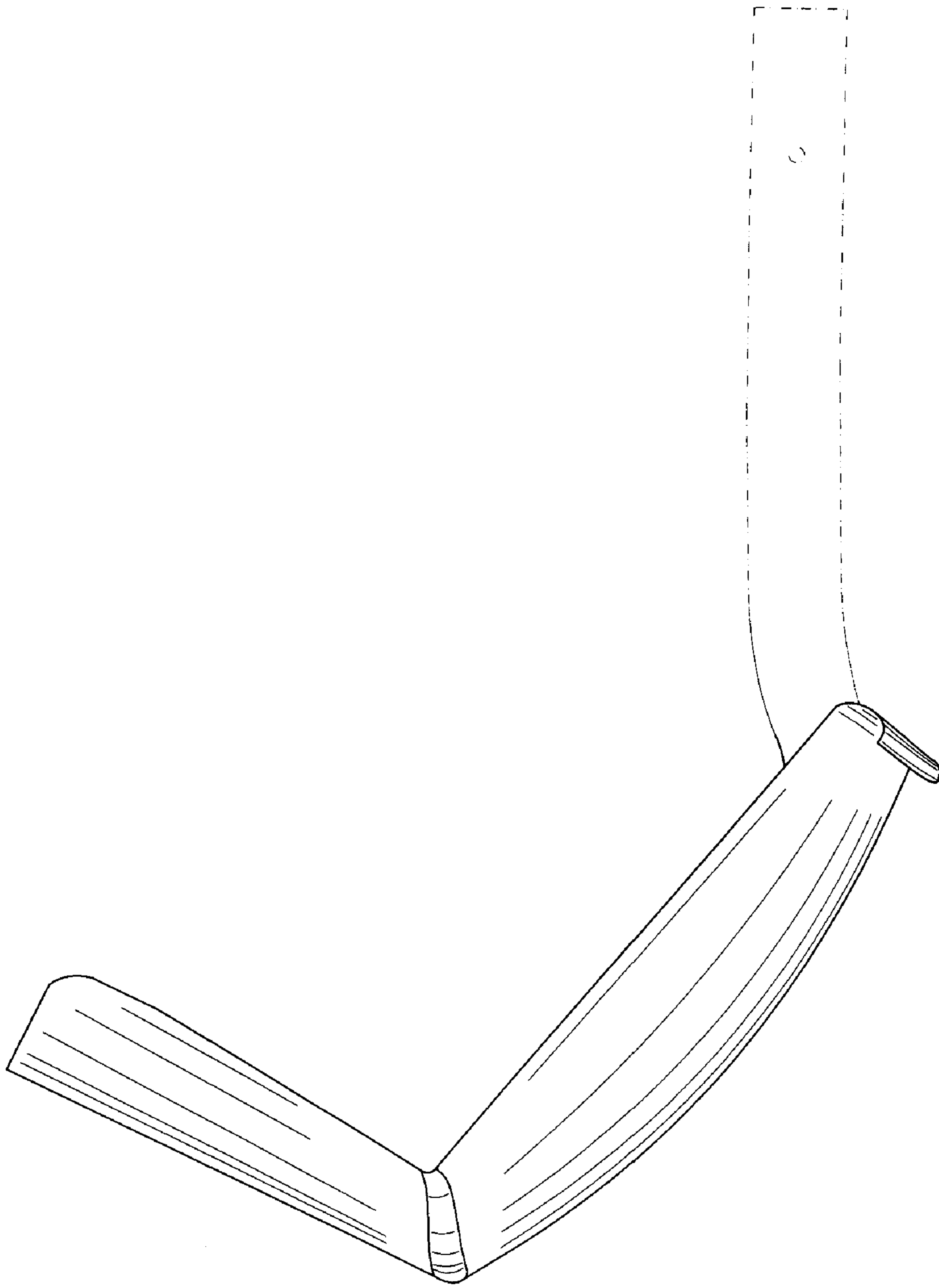


FIG. 4

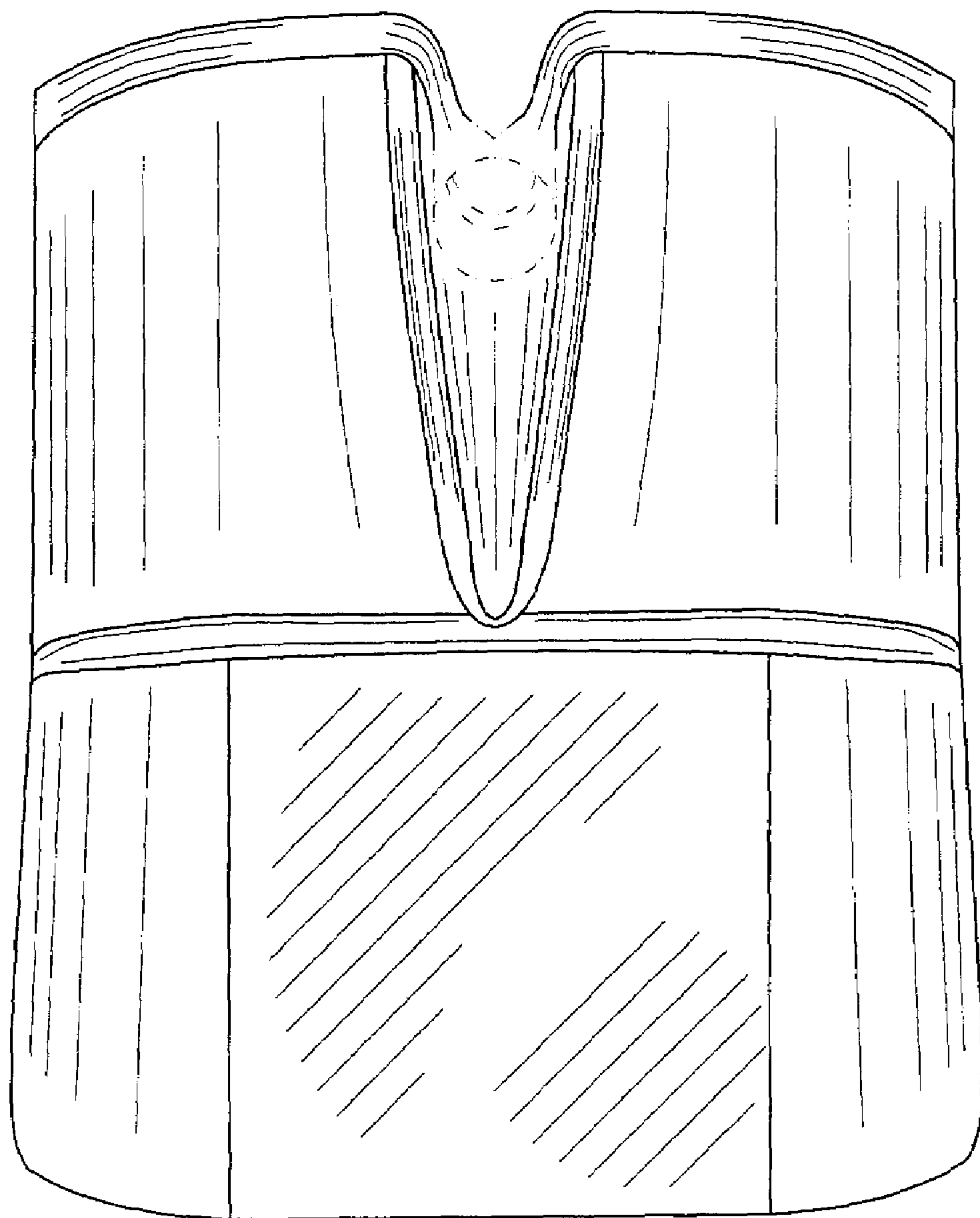


FIG. 5

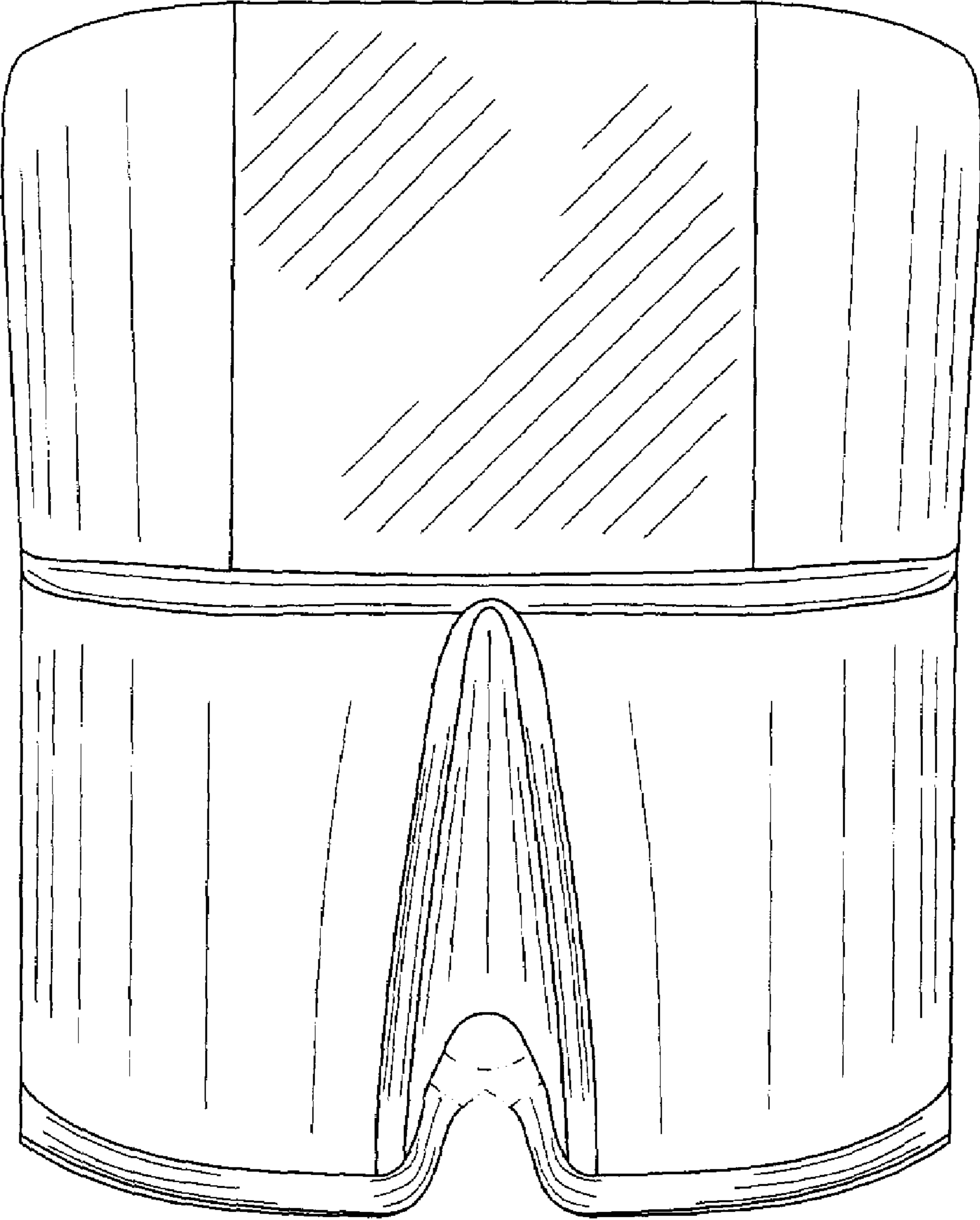


FIG. 6

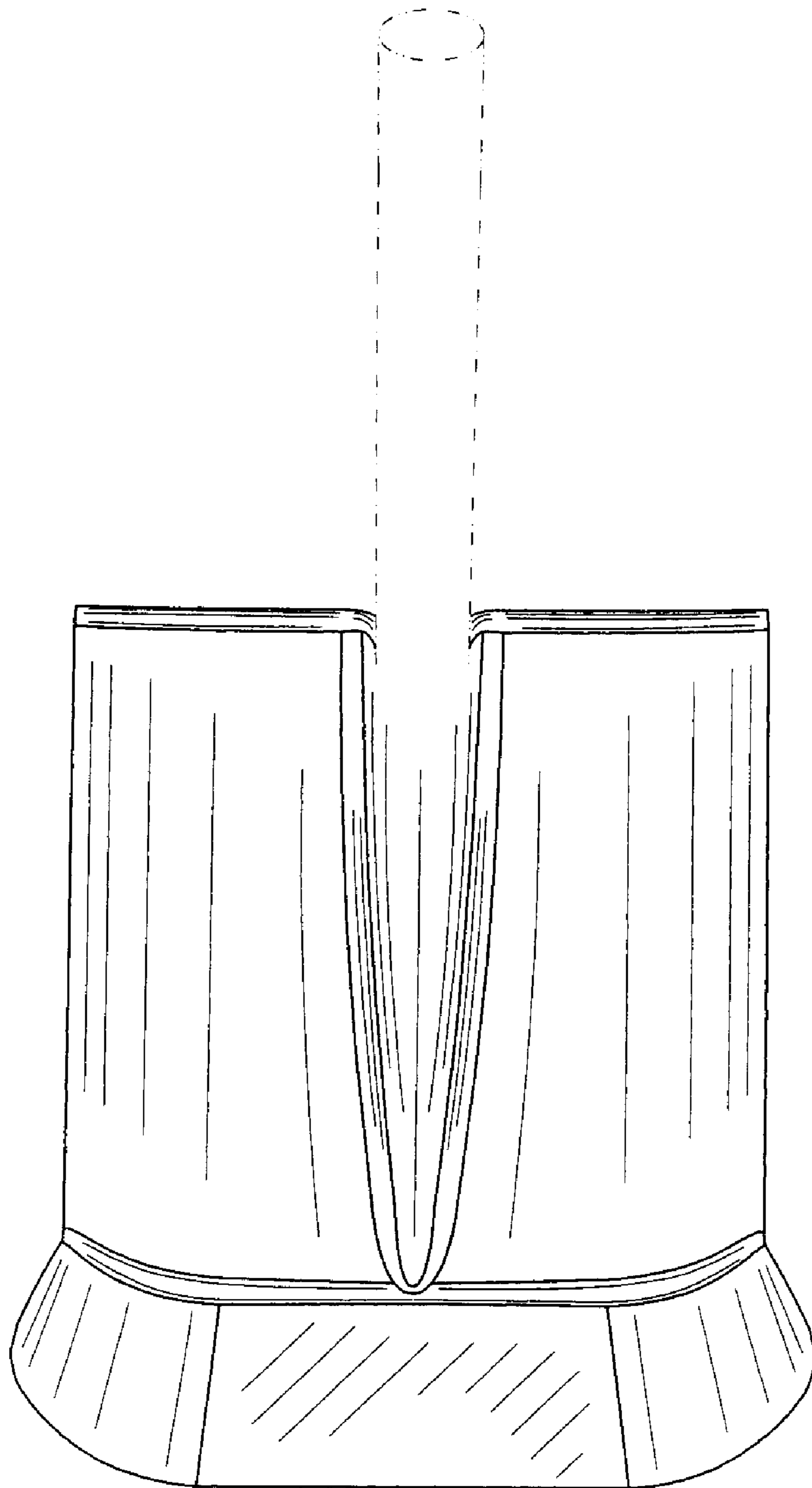


FIG. 7

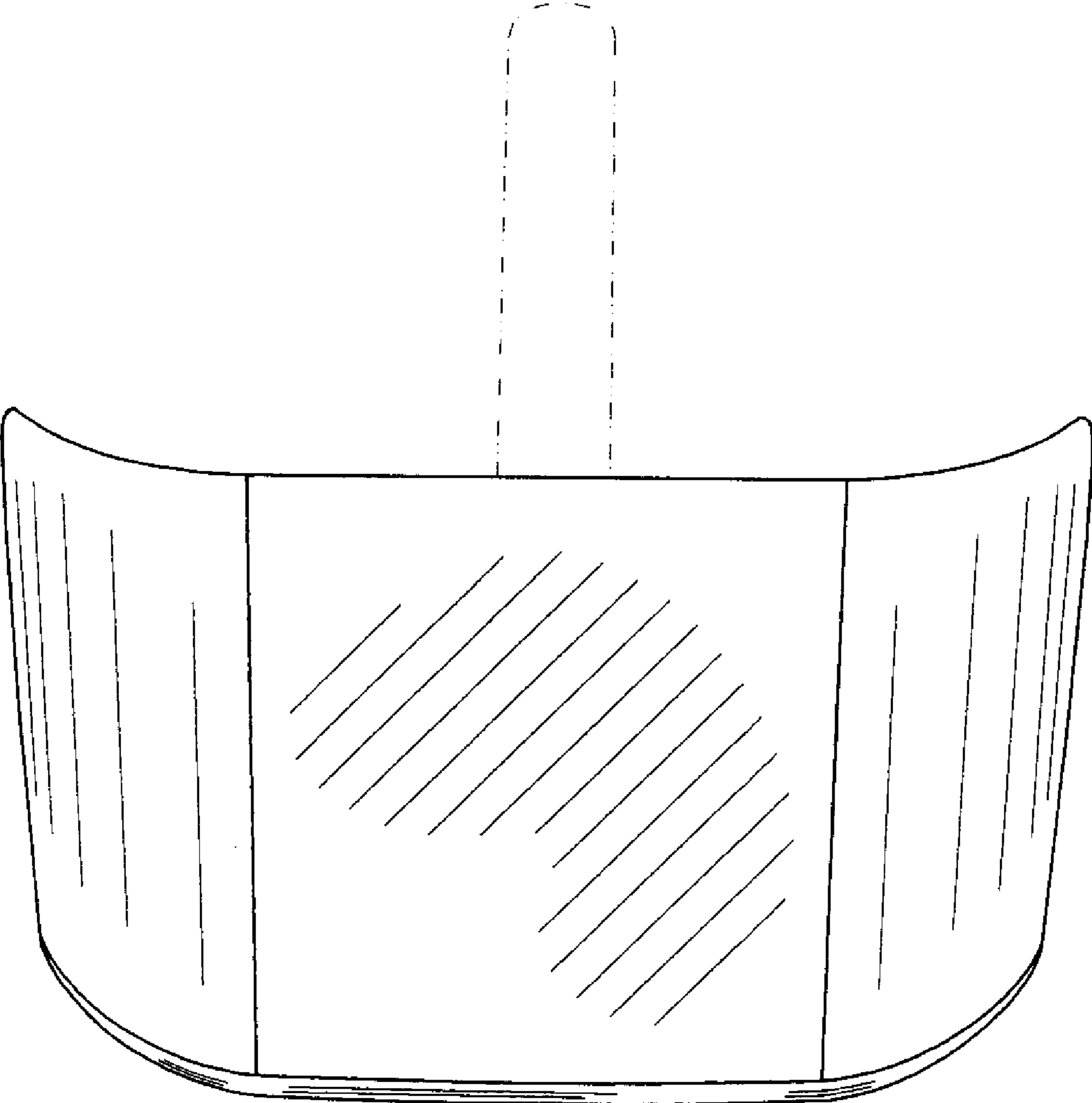


FIG. 8

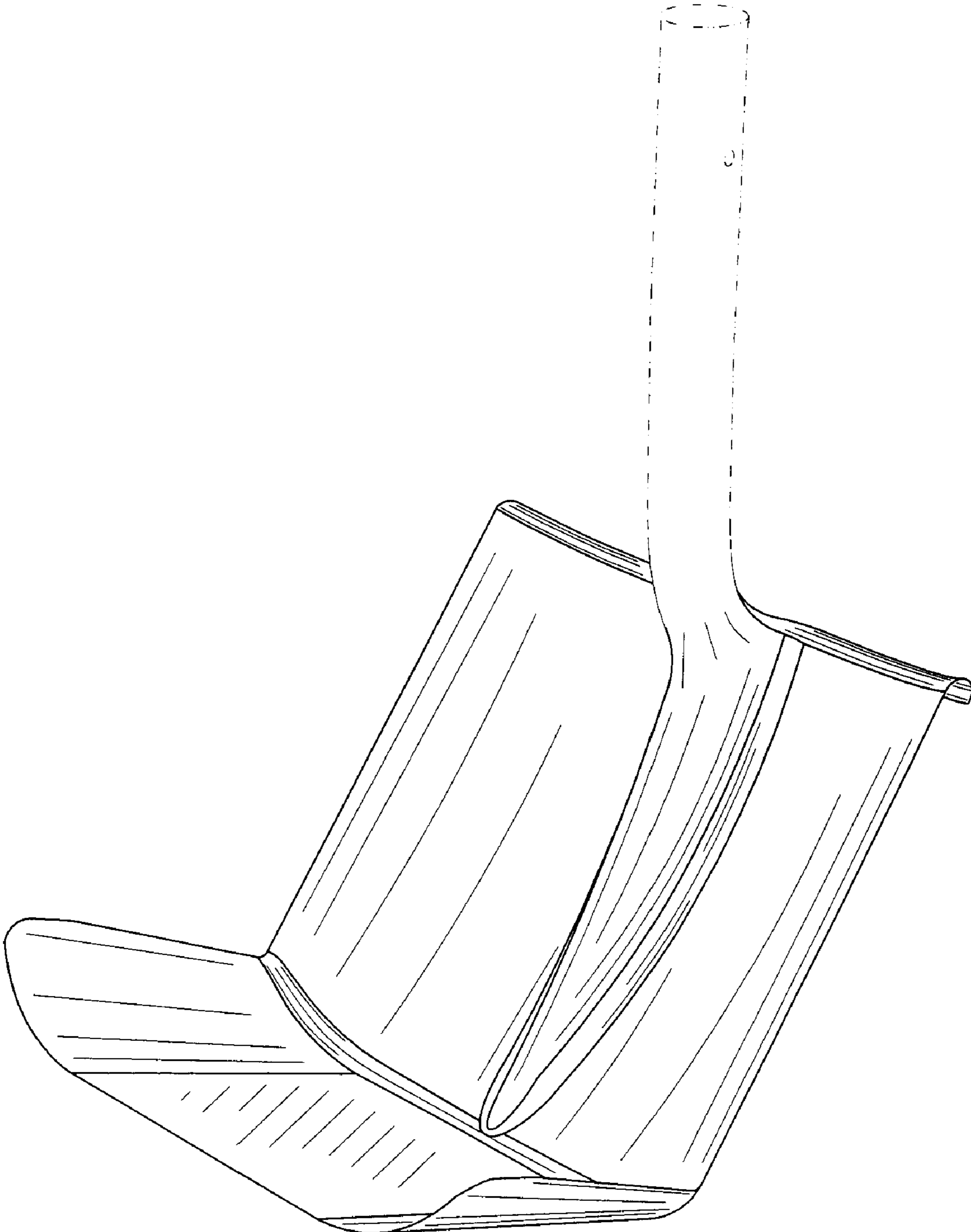


FIG. 9

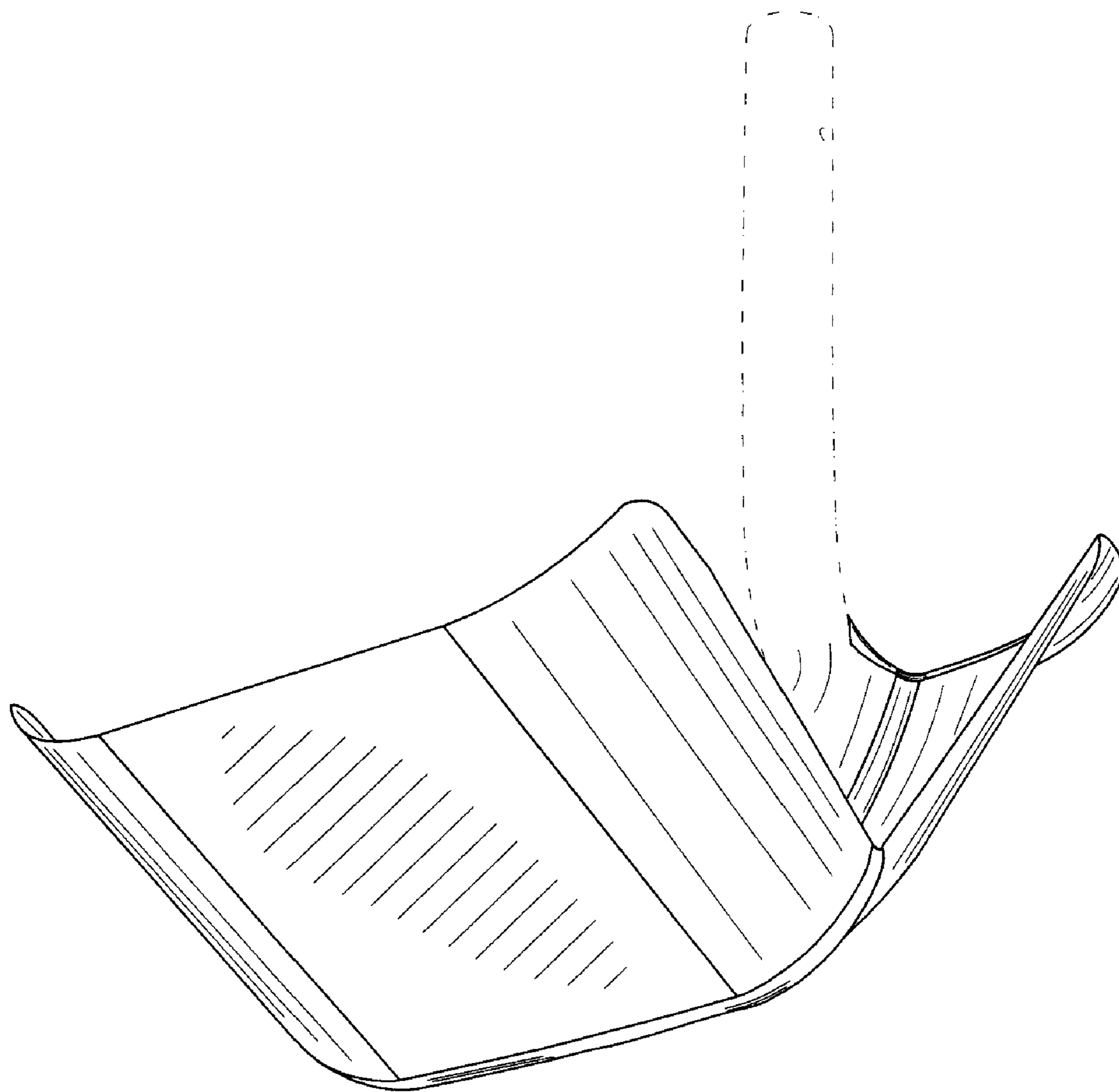


FIG. 10

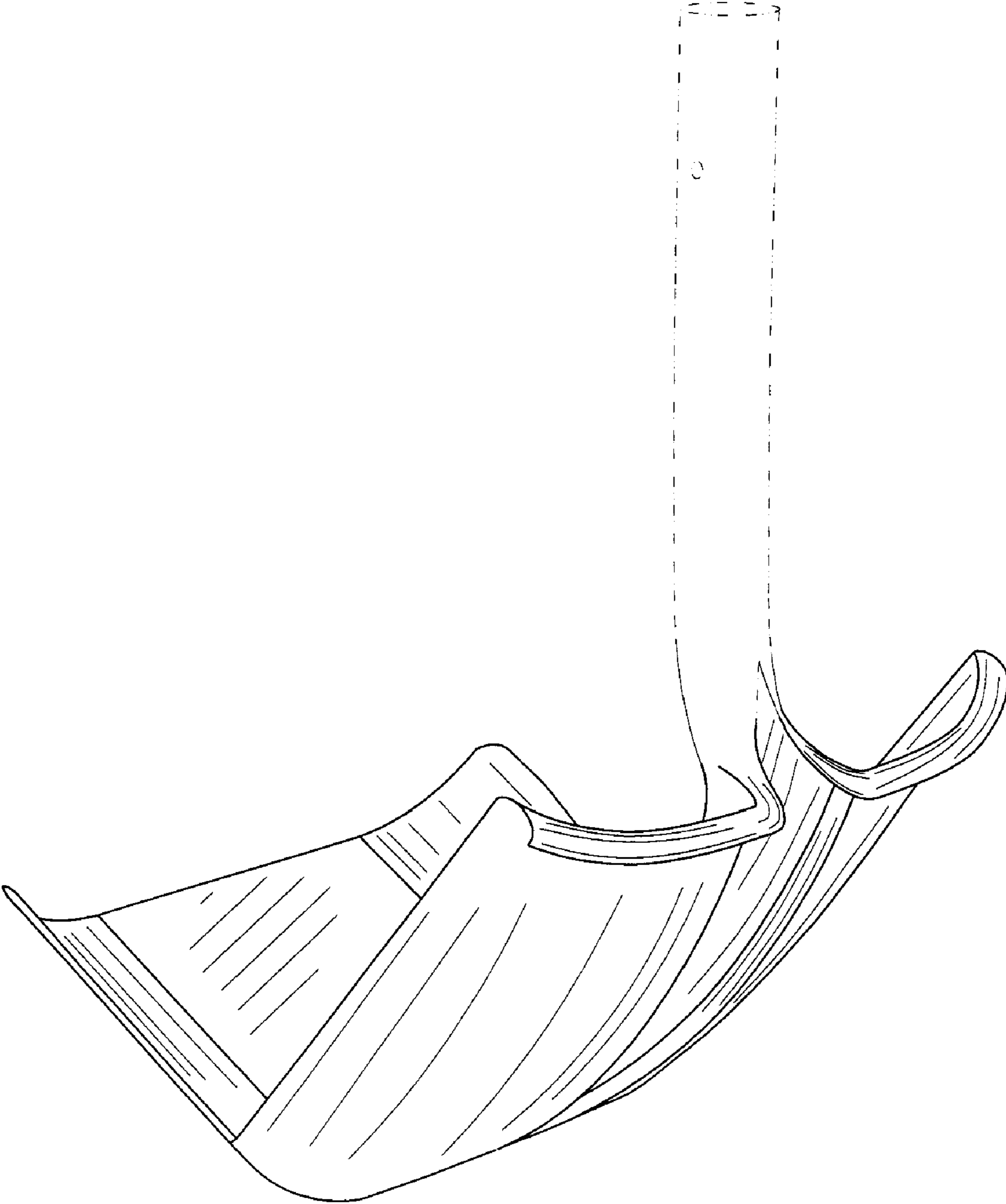


FIG. 11

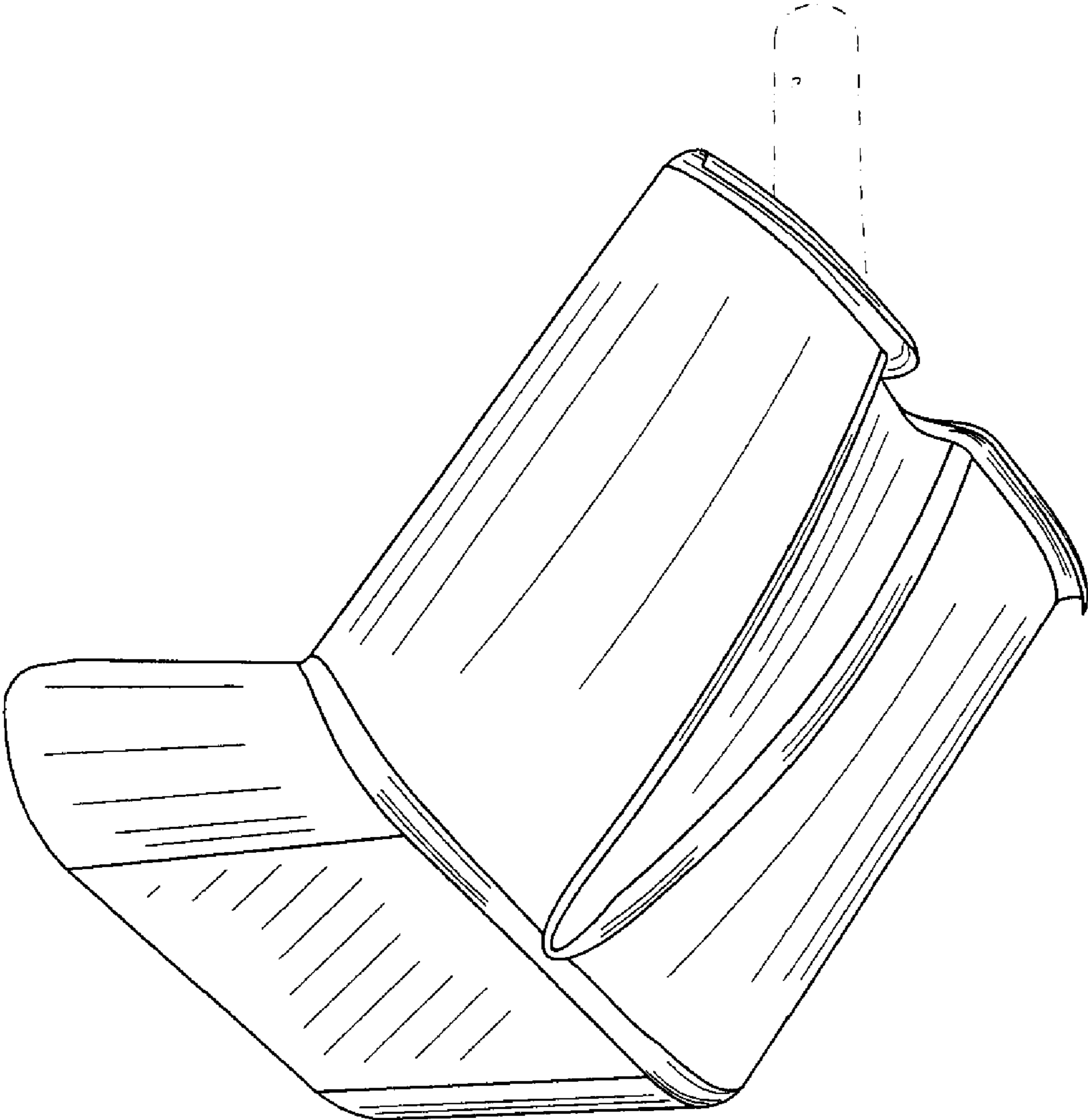


FIG. 12