

US00D590221S

(12) **United States Design Patent**  
**Swanson**

(10) **Patent No.:** **US D590,221 S**

(45) **Date of Patent:** **\*\* Apr. 14, 2009**

(54) **VEGETATION TRIMMER**

(75) Inventor: **Richard C. Swanson**, Orchard Park, NY  
(US)

(73) Assignee: **Darien Group Inc.**, Darien Center, NY  
(US)

(\*\*) Term: **14 Years**

(21) Appl. No.: **29/282,745**

(22) Filed: **Jul. 27, 2007**

(51) **LOC (9) Cl.** ..... **08-01**

(52) **U.S. Cl.** ..... **D8/8**

(58) **Field of Classification Search** ..... D8/8,  
D8/9; 30/276, 347, 208, 210, 228; 56/12.7  
See application file for complete search history.

(56) **References Cited**

**U.S. PATENT DOCUMENTS**

3,564,713	A *	2/1971	Congdon	.....	30/208
D353,750	S *	12/1994	Abe	.....	D8/8
6,105,253	A	8/2000	Kolbert		
D443,188	S *	6/2001	Shih	.....	D8/8
6,886,258	B2	5/2005	Swanson		

D518,690	S *	4/2006	Grey	.....	D8/8
D548,028	S *	8/2007	Mooney et al.	.....	D8/8
2005/0172600	A1	8/2005	Wilson		

\* cited by examiner

*Primary Examiner*—Holly H Baynham

*Assistant Examiner*—Sheryl Lane

(74) *Attorney, Agent, or Firm*—Hodgson Russ LLP

(57) **CLAIM**

The ornamental design for a vegetation trimmer, as shown and described.

**DESCRIPTION**

FIG. 1 is a front perspective view of my new design.

FIG. 2 is a left-side elevational view thereof;

FIG. 3 is a right-side elevational view thereof;

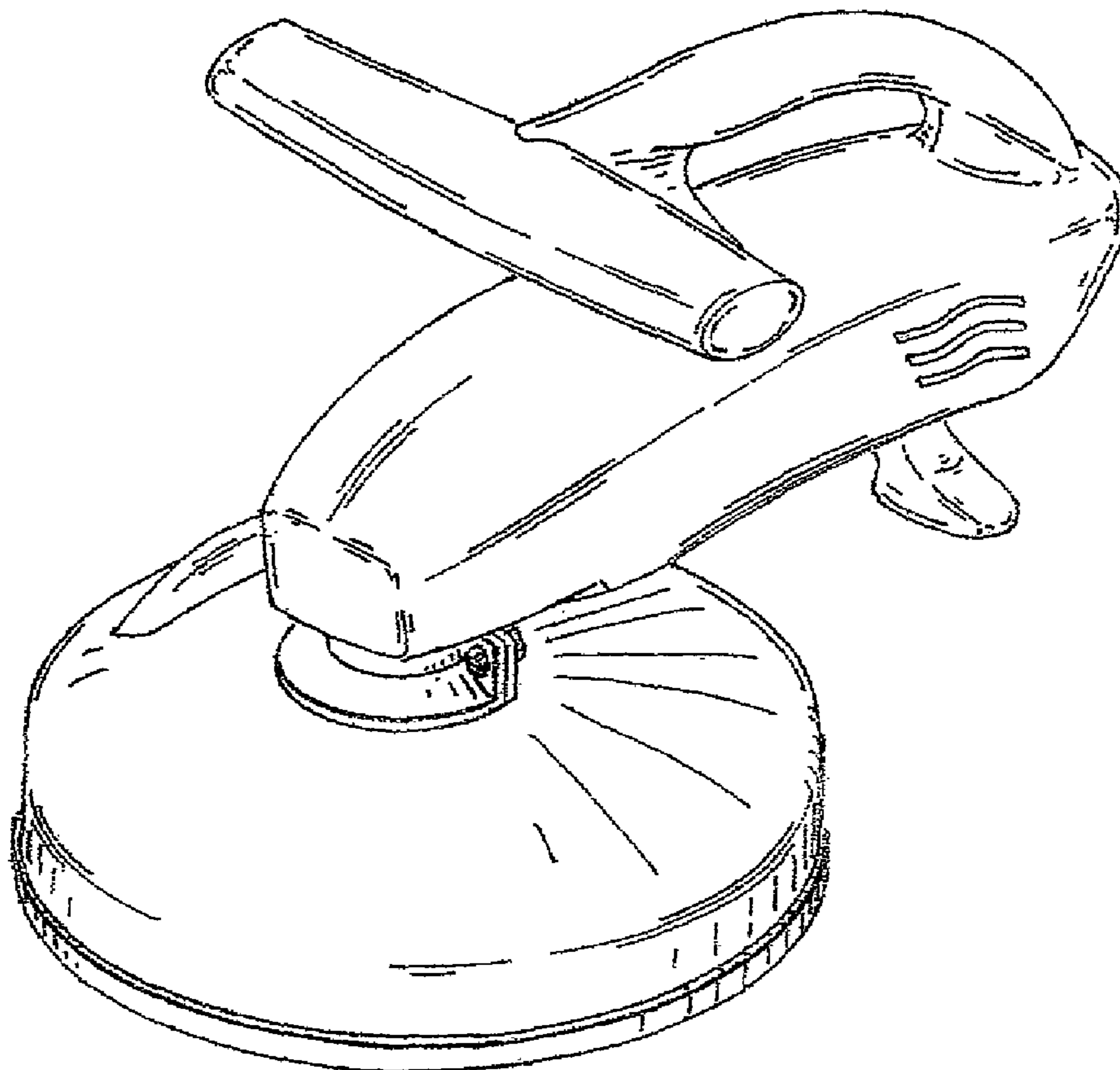
FIG. 4 is a front elevational view thereof;

FIG. 5 is a rear elevational view thereof;

FIG. 6 is a top plan view thereof; and,

FIG. 7 is a bottom plan view thereof.

**1 Claim, 3 Drawing Sheets**



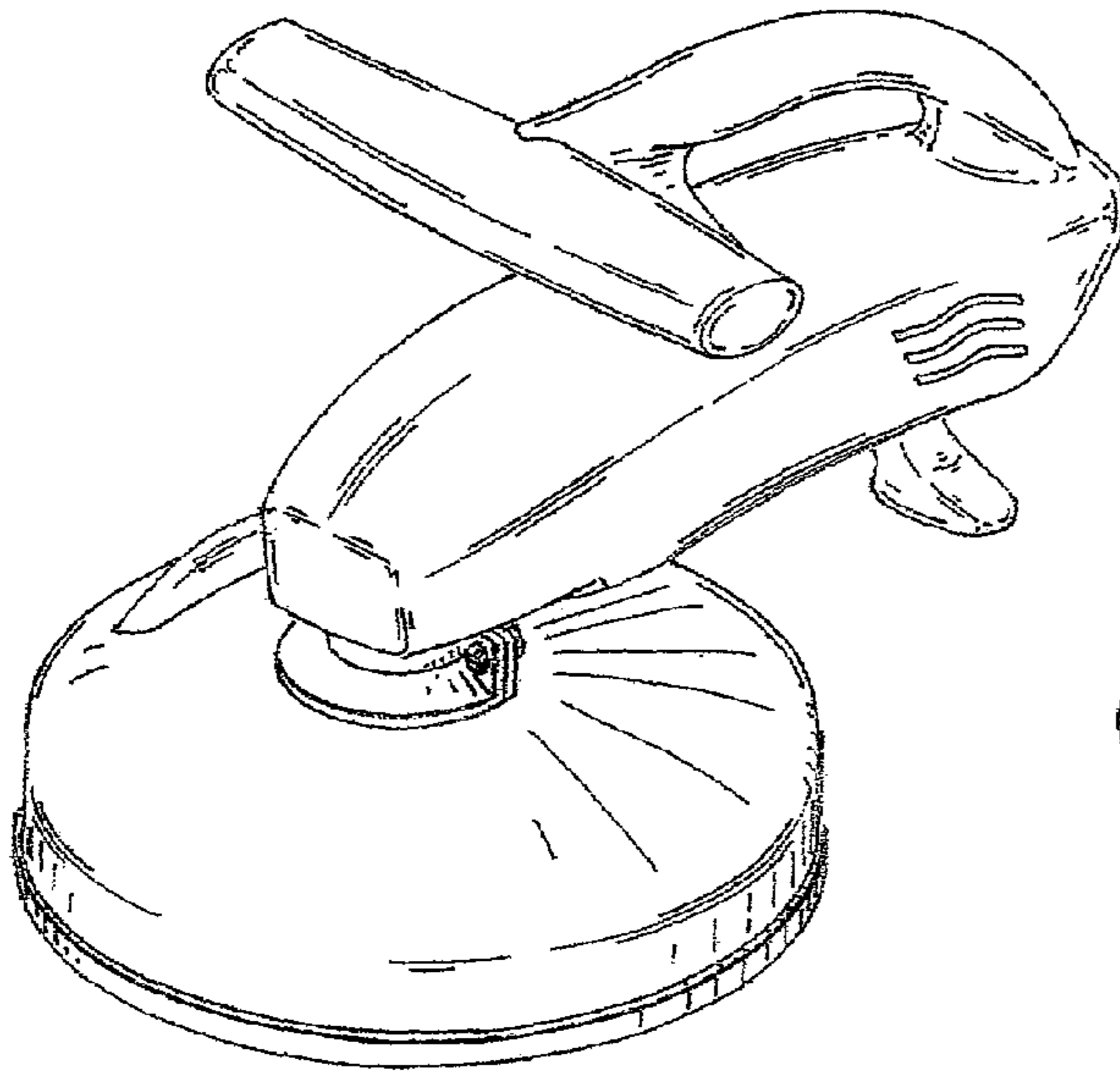


FIG. 1

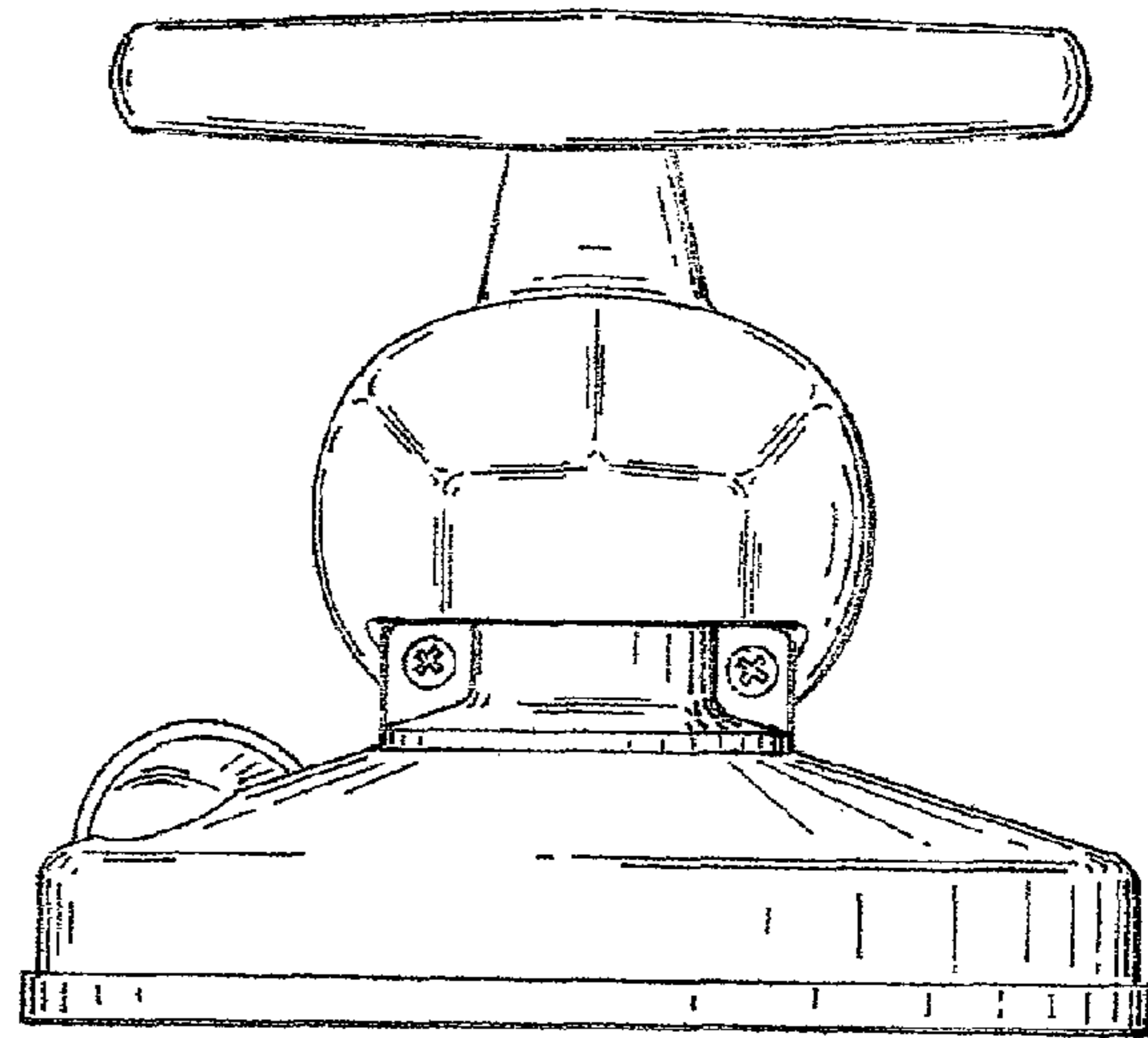


FIG. 4

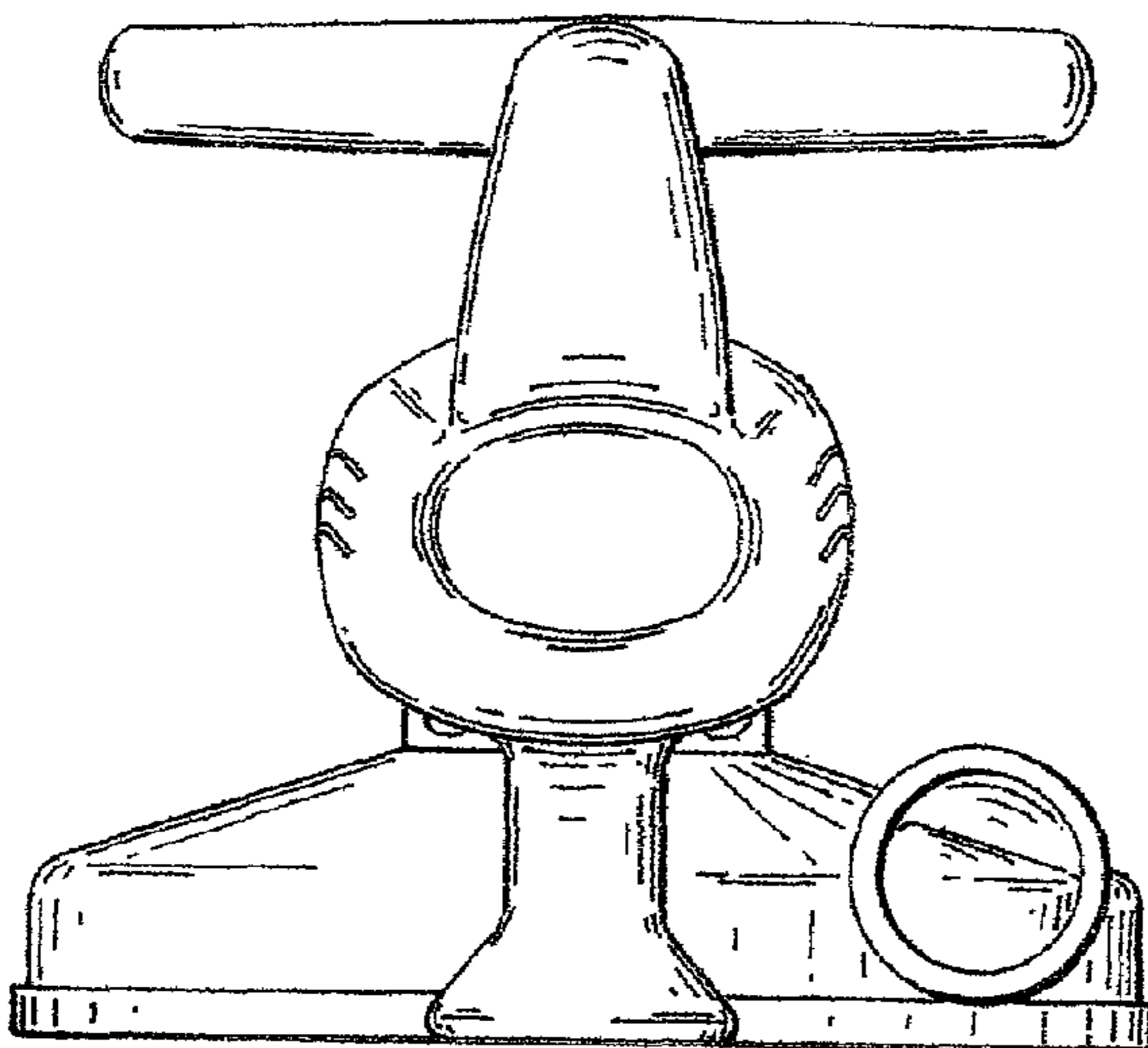


FIG. 5

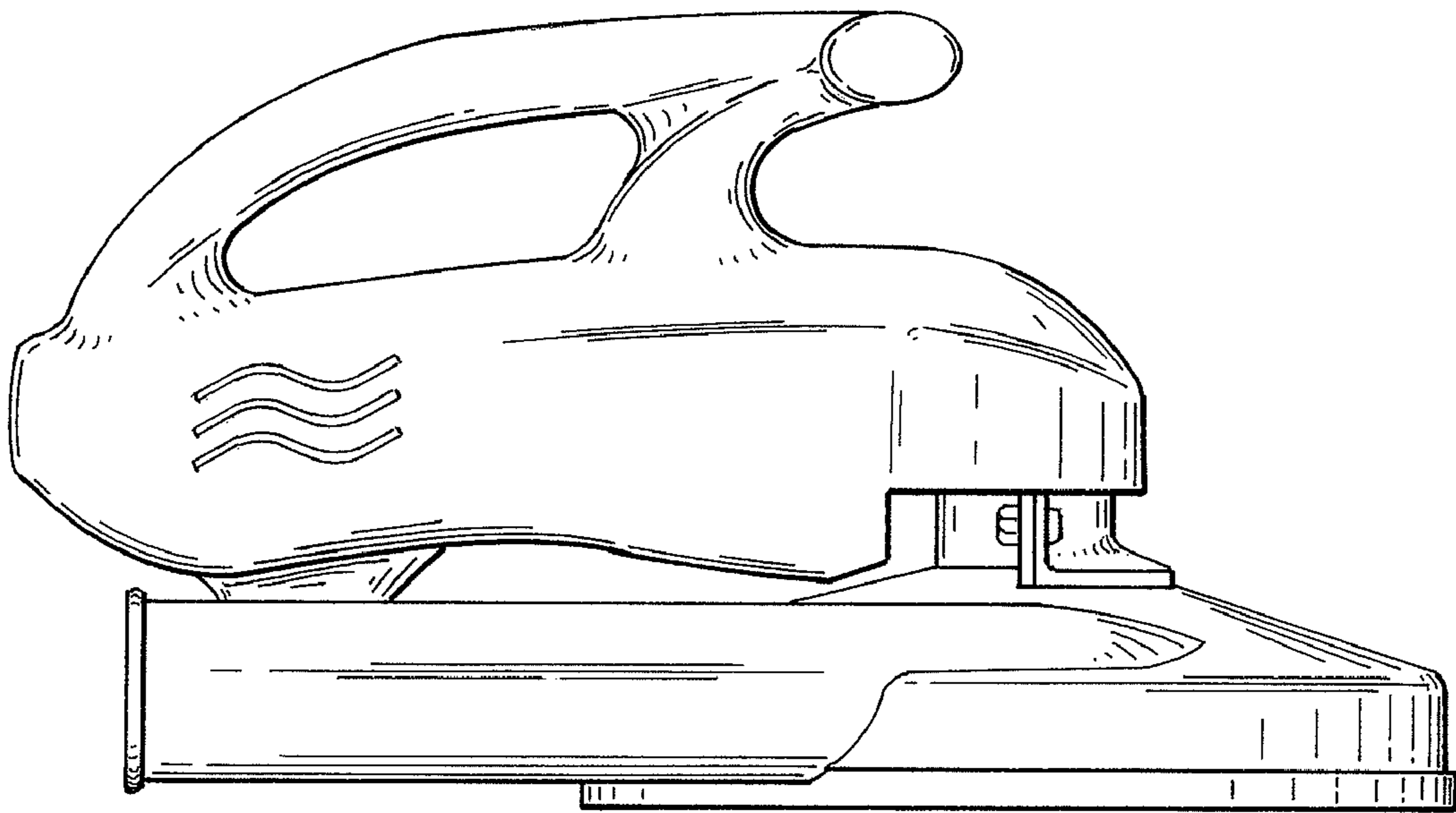


FIG. 2

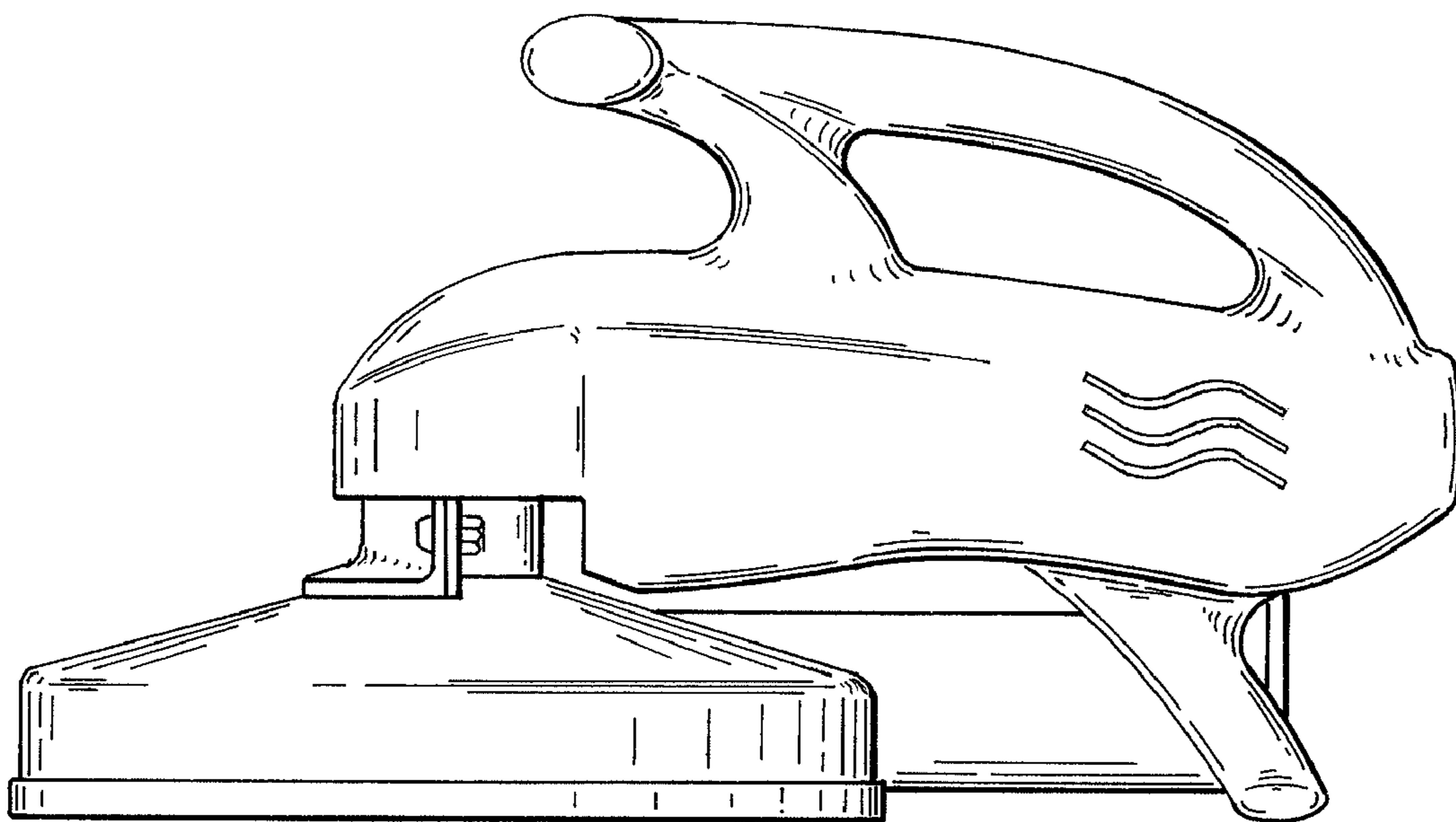


FIG. 3

FIG. 6

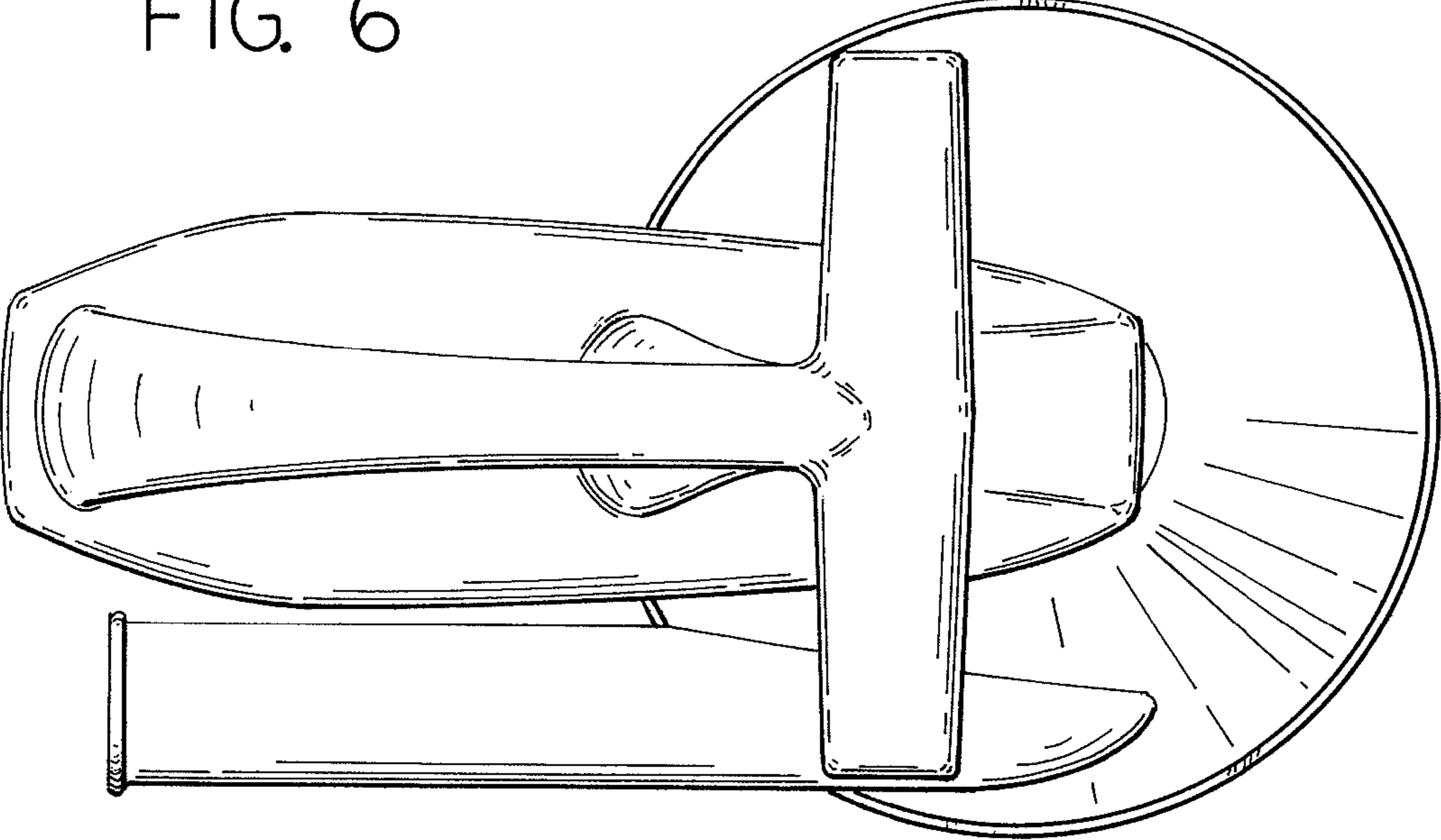


FIG. 7

