



US00D590213S

(12) **United States Design Patent**
Young et al.

(10) **Patent No.:** **US D590,213 S**
(45) **Date of Patent:** **** Apr. 14, 2009**

(54) **NAPKIN HOLDER**

(75) Inventors: **Michael Young**, 1103 Rainbow Ct., Mukwanago, WI (US) 53121; **Paul Omdoll**, S72 W23135 Vista Del Tierra, Waukesha, WI (US) 53189; **Nisha Gupta**, S53W25834 Hazelhurst La., Waukesha, WI (US) 53189; **Scott Collins**, 4504 W. Dunwood Rd., Milwaukee, WI (US) 53223; **James Walsh**, 8100 Chestnut St., Milwaukee, WI (US) 53213; **Craig Fluegge**, W174 N9521 Devonwood Rd., Milwaukee, WI (US) 53051

(73) Assignees: **Paul Omdoll**, Waukesha, WI (US); **Craig Fluegge**, Menomonee Falls, WI (US); **Nisha Gupta**, Waukesha, WI (US); **Michael Young**, Mukwonago, WI (US); **James Walsh**, Wauwatosa, WI (US); **Scott Collins**, Milwaukee, WI (US)

(**) Term: **14 Years**

(21) Appl. No.: **29/325,053**

(22) Filed: **Sep. 25, 2008**

Related U.S. Application Data

(63) Continuation of application No. 10/891,429, filed on Jul. 14, 2004, which is a continuation-in-part of application No. 29/186,425, filed on Jul. 15, 2003, now Pat. No. Des. 493,312.

(51) **LOC (9) Cl.** **09-03**

(52) **U.S. Cl.** **D7/631**

(58) **Field of Classification Search** D6/518–525;
D7/631–634; 206/409, 233, 494; 221/30–33,
221/45, 208

See application file for complete search history.

(56) **References Cited**

U.S. PATENT DOCUMENTS

1,513,792 A	11/1924	Arelt
3,589,555 A	6/1971	Burkhalter
3,765,565 A	10/1973	Fietzer et al.
4,127,954 A	12/1978	Hausmann
4,155,484 A	5/1979	Pastore
4,329,001 A	5/1982	Filipowicz et al.

(Continued)

OTHER PUBLICATIONS

SCA Tissue, Xpressnap Brochure.
Georgia Pacific, EasyNap Brochure.

Primary Examiner—Brian N Vinson

(74) *Attorney, Agent, or Firm*—Boyle Fredrickson, S.C.

(57) **CLAIM**

The ornamental design for a napkin holder, as shown and described.

DESCRIPTION

FIG. 1 is a top, front, and right side perspective view of a napkin holder showing our new design;

FIG. 2 is a top, rear, and right side perspective view thereof;

FIG. 3 is a top plan view thereof;

FIG. 4 is a left side elevational view thereof;

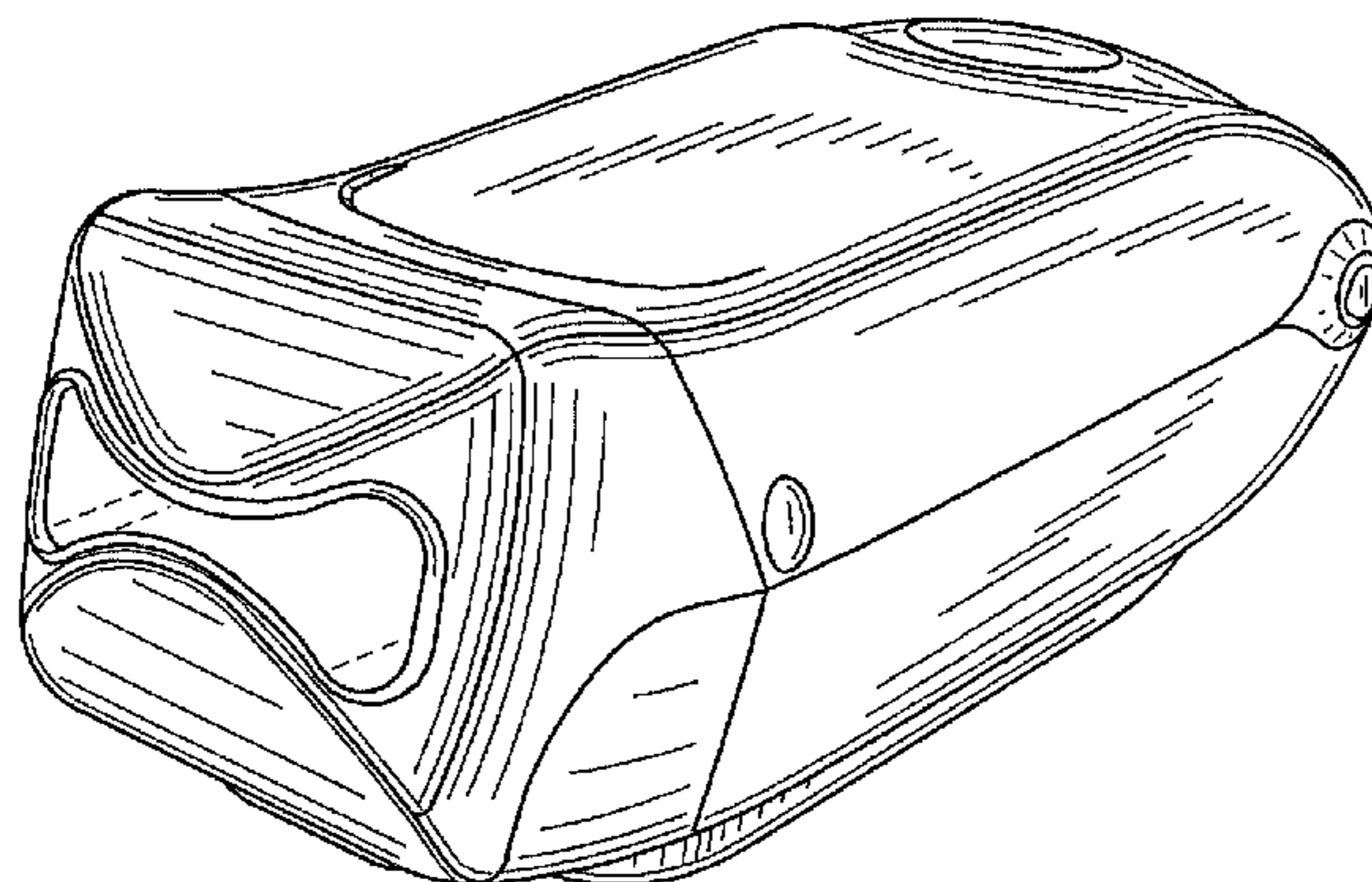
FIG. 5 is a bottom plan view thereof

FIG. 6 is a front elevational view thereof; and,

FIG. 7 is a rear elevational view thereof.

The broken-line disclosure in the views is understood to be for illustrative purposes only and forms no part of the claimed design.

1 Claim, 3 Drawing Sheets



US D590,213 S

Page 2

U.S. PATENT DOCUMENTS

D277,911 S	3/1985	Lunden	5,950,863 A	9/1999	Schutz et al.	
4,706,844 A	11/1987	Omdoll et al.	6,230,929 B1	5/2001	Phelps et al.	
D296,064 S	6/1988	Omdoll et al.	6,334,544 B1	1/2002	Christensen et al.	
4,838,454 A	6/1989	Salzmann et al.	6,352,172 B1	3/2002	Chan et al.	
5,076,466 A	12/1991	Petterson et al.	6,378,726 B1	4/2002	Chan et al.	
5,100,020 A	3/1992	Petterson et al.	6,585,129 B2	7/2003	Moody et al.	
5,102,007 A	4/1992	Petterson et al.	6,824,007 B2	11/2004	Timmers et al.	
5,131,561 A	7/1992	Casperson et al.	D528,871 S *	9/2006	Zeiron	D7/631
5,156,293 A	10/1992	Petterson et al.	D552,428 S *	10/2007	Zeiron	D7/631
D332,193 S	1/1993	Petterson et al.	D571,159 S *	6/2008	Pommier et al.	D7/631
D337,227 S	7/1993	Giugiaro	2003/0062375 A1	4/2003	Christensen et al.	
D339,015 S	9/1993	Giugiaro				

* cited by examiner

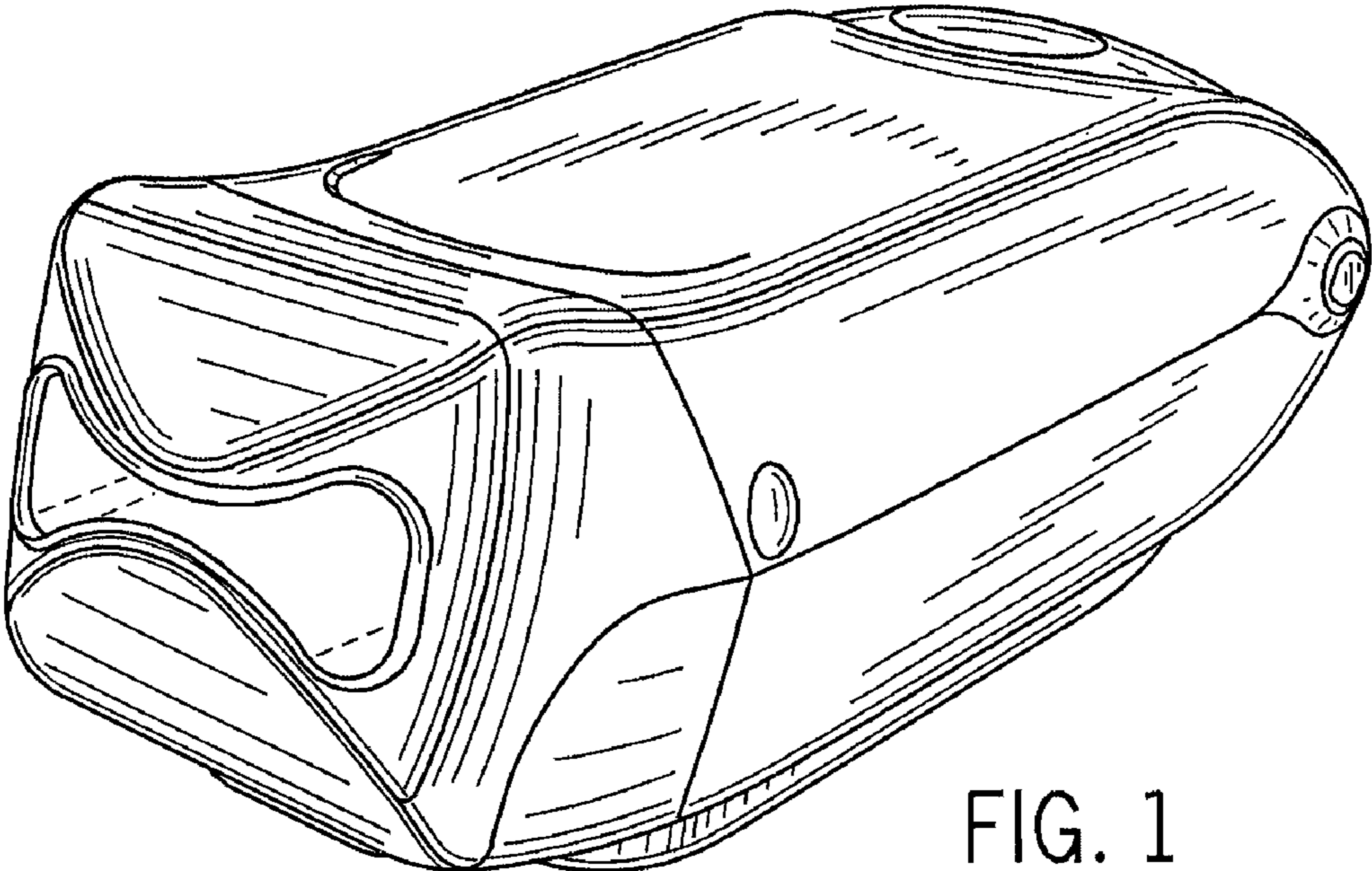


FIG. 1

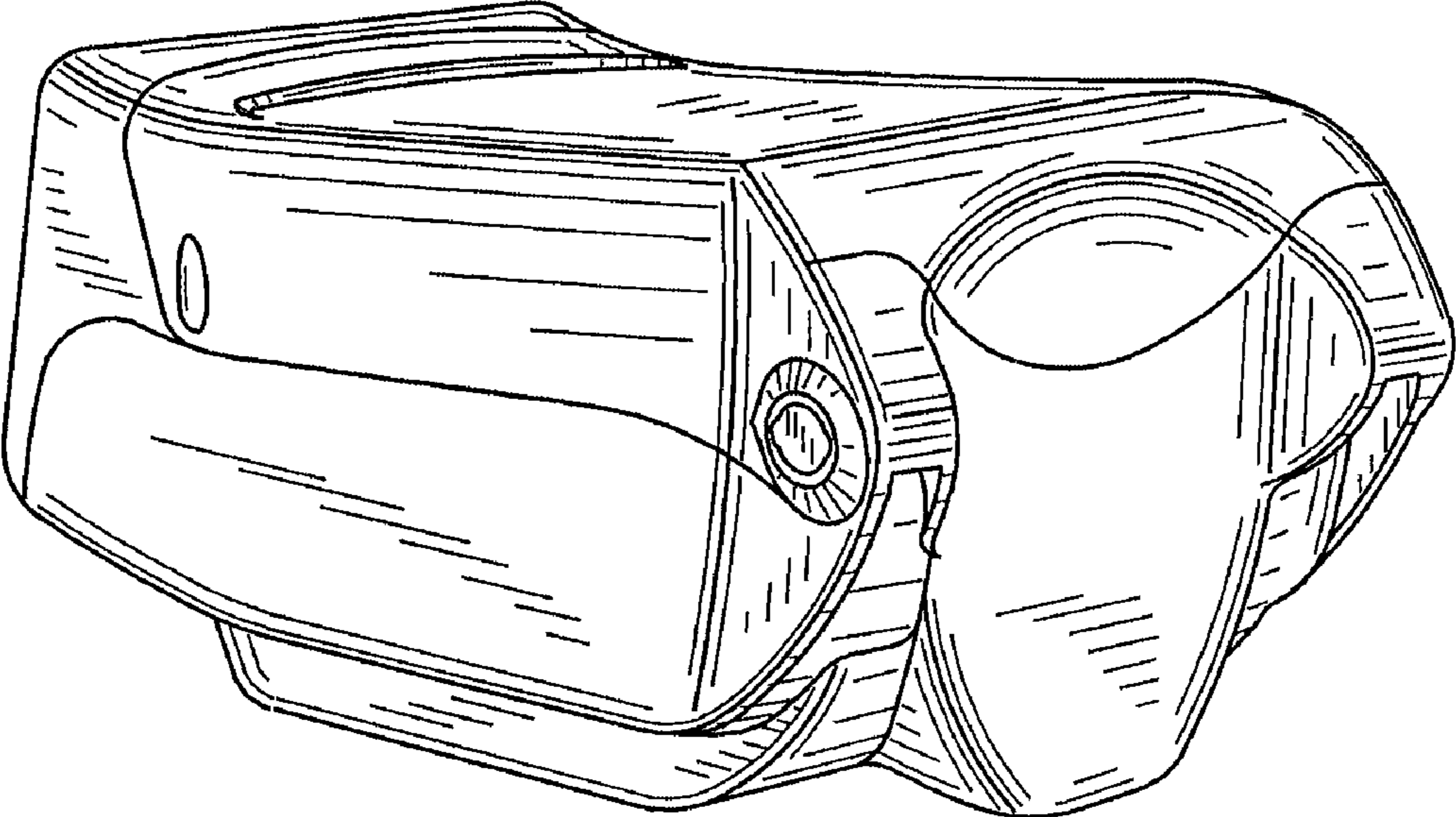


FIG. 2

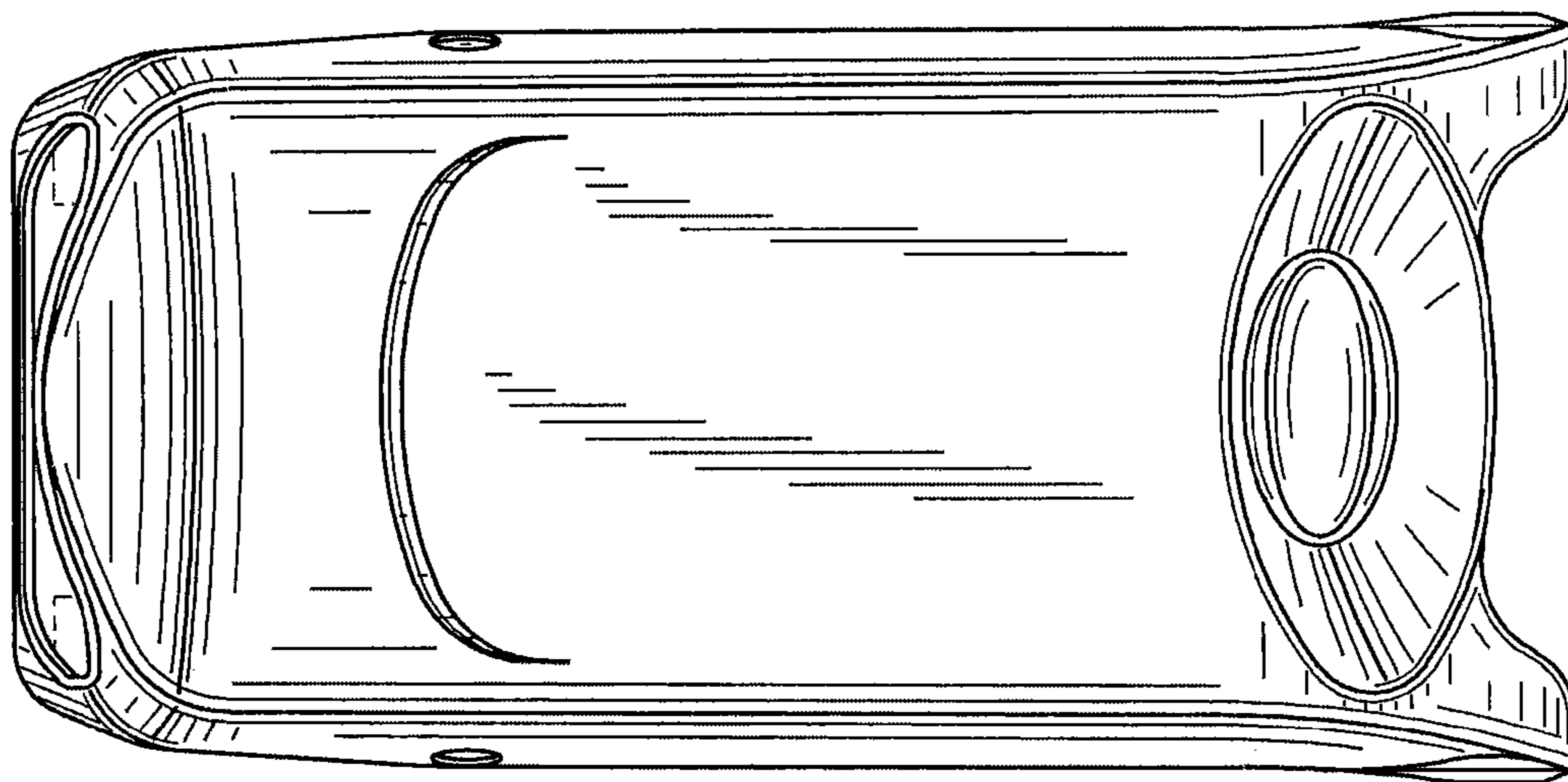


FIG. 3

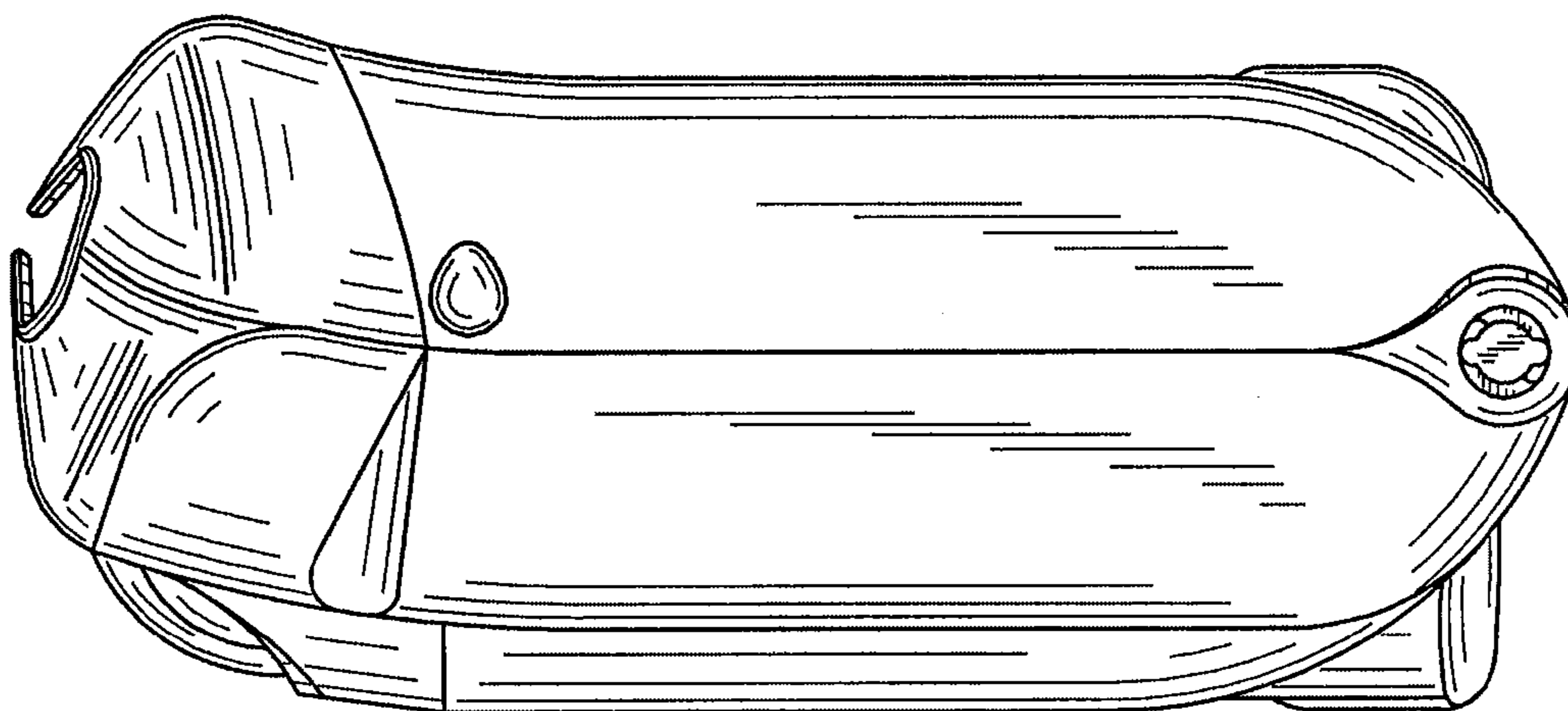


FIG. 4

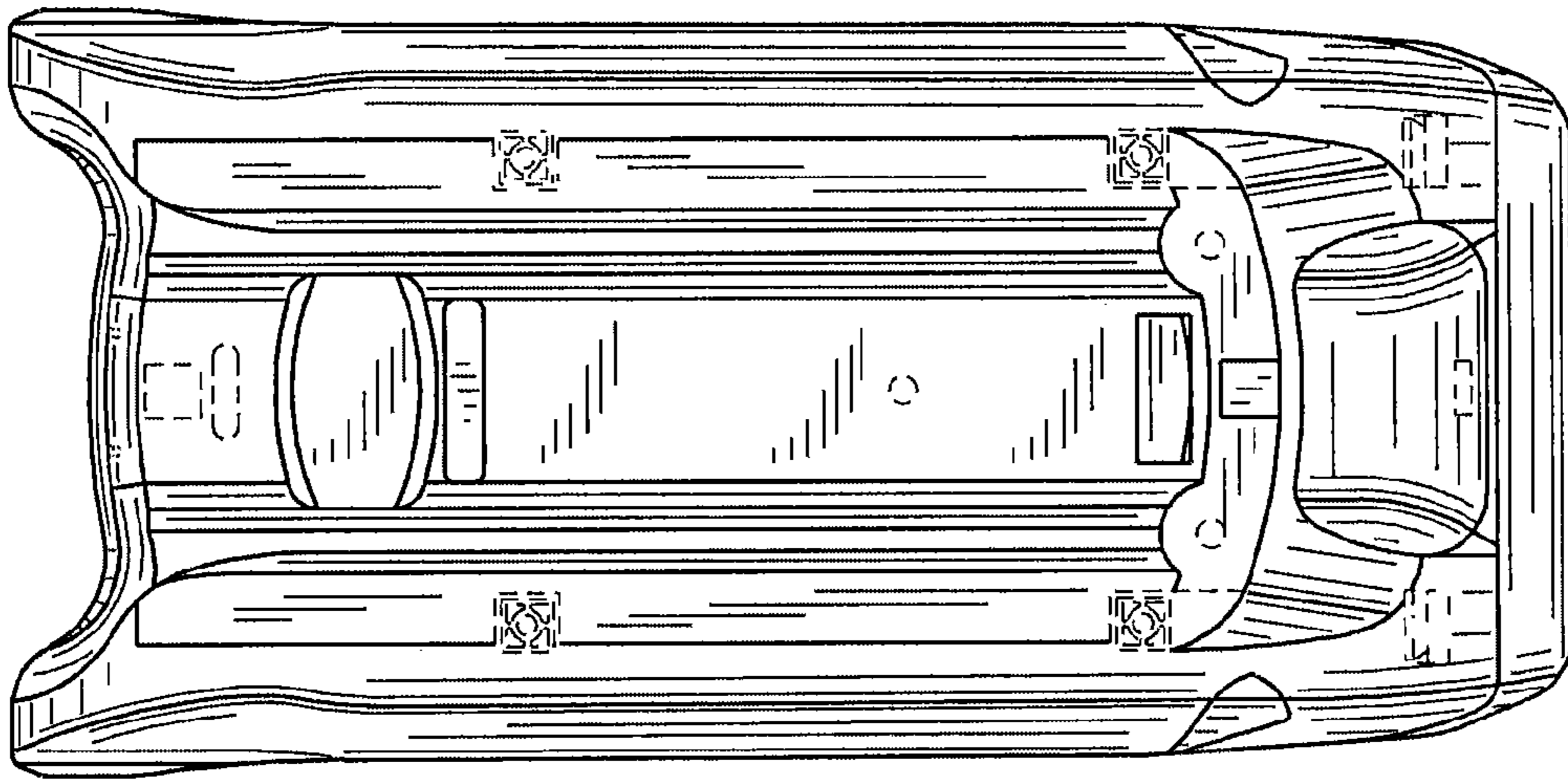


FIG. 5

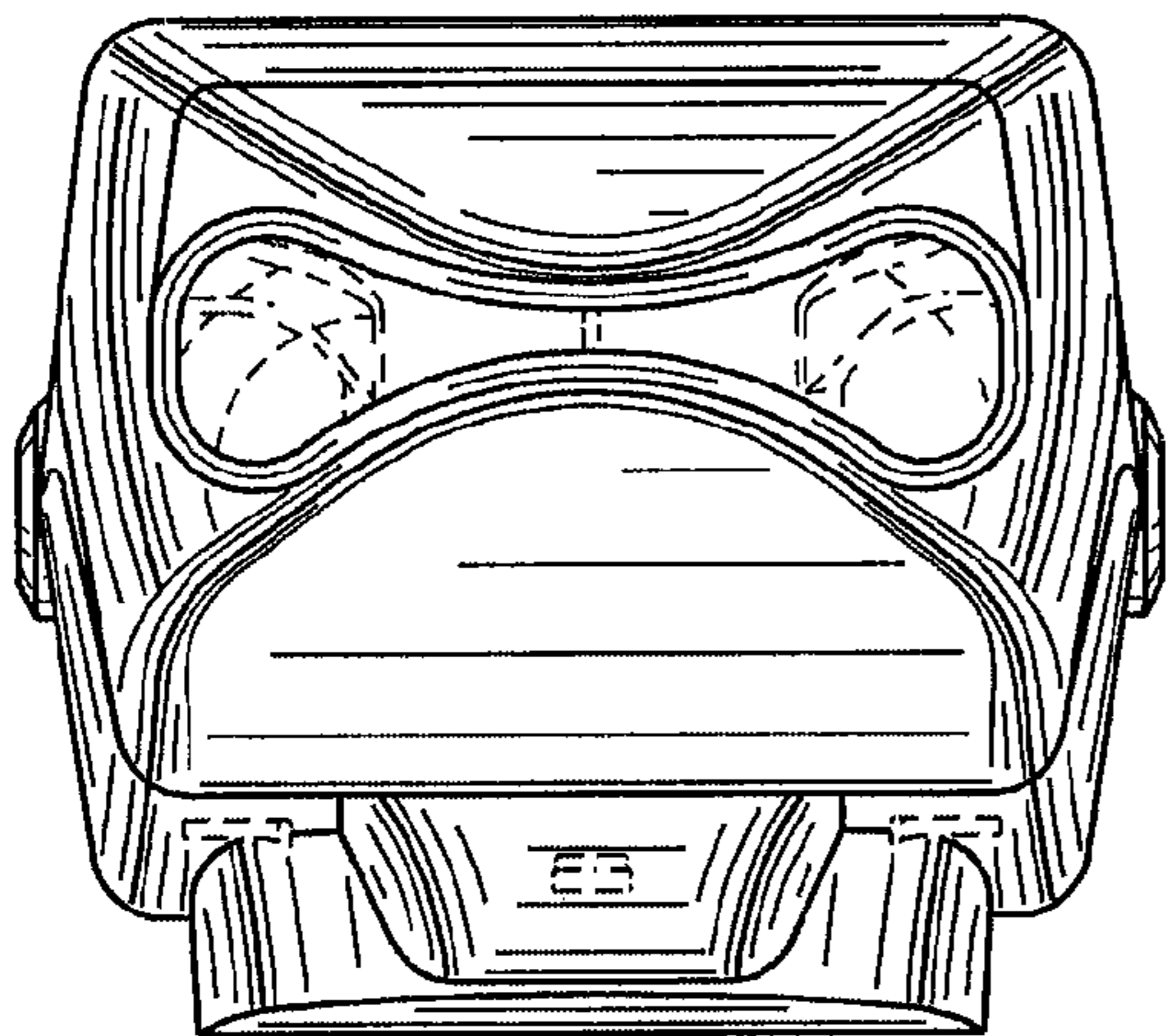


FIG. 6

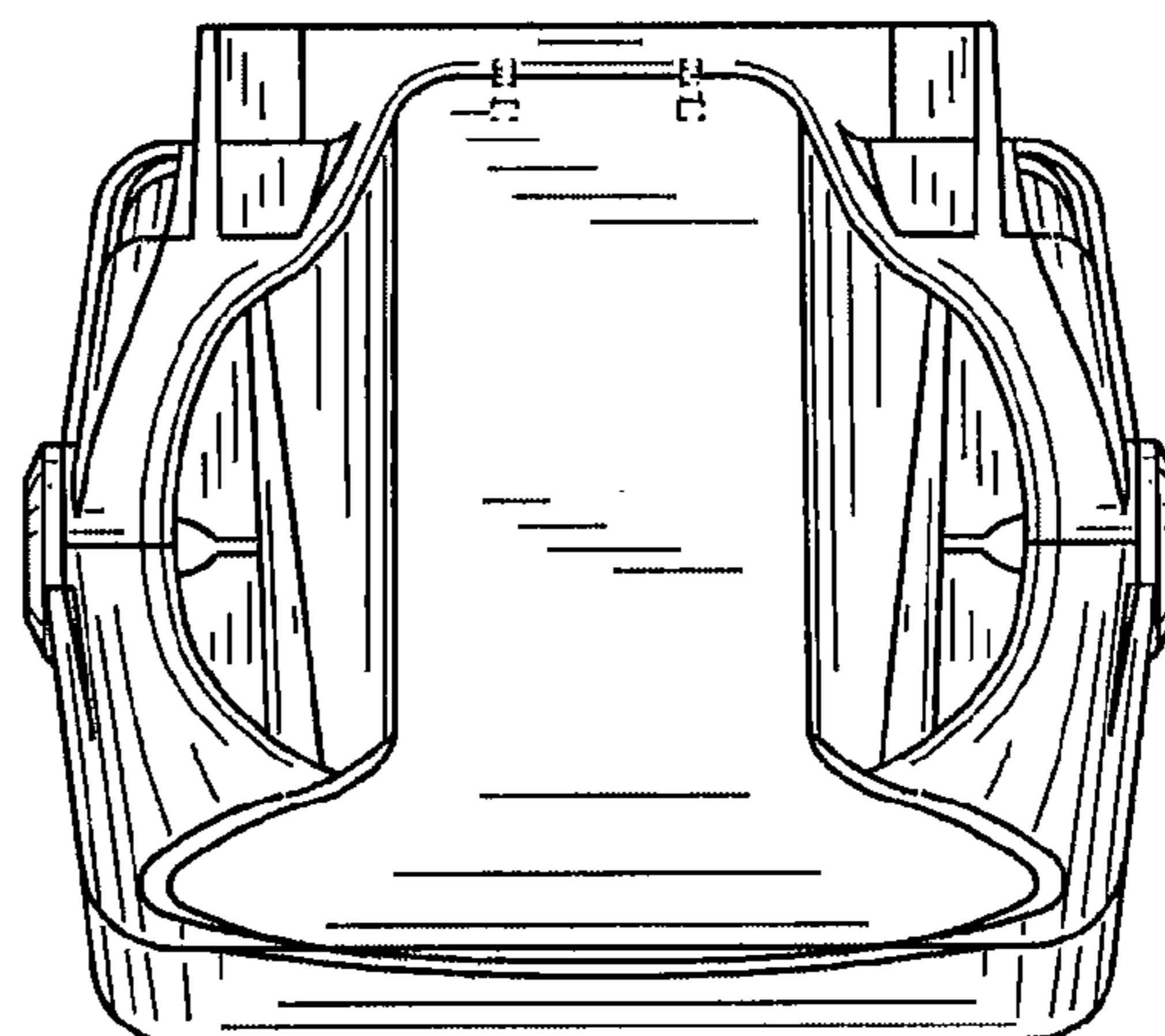


FIG. 7