



US00D590208S

(12) **United States Design Patent**  
**de Buyer**

(10) **Patent No.:** **US D590,208 S**

(45) **Date of Patent:** **\*\* Apr. 14, 2009**

(54) **BLADE**

(76) Inventor: **Julien de Buyer**, BP 2 - F 88340, Le Val d'Ajol (FR)

(\*\*) Term: **14 Years**

(21) Appl. No.: **29/297,620**

(22) Filed: **Nov. 14, 2007**

(51) **LOC (9) Cl.** ..... **31-00**

(52) **U.S. Cl.** ..... **D7/412**

(58) **Field of Classification Search** ..... D7/412,  
D7/673; D8/20, 70, 98; D15/138; 83/698.11  
See application file for complete search history.

(56) **References Cited**

U.S. PATENT DOCUMENTS

5,848,473	A *	12/1998	Brandenburg, Jr.	30/514
D406,023	S *	2/1999	Okada	D8/20
D430,177	S *	8/2000	Fuchs et al.	D15/139
D440,475	S *	4/2001	Fuchs et al.	D8/70
6,318,222	B1 *	11/2001	Weinman, Jr.	83/13
6,732,622	B2 *	5/2004	Vincent	83/247
6,948,670	B2 *	9/2005	Kujawski et al.	241/169
7,143,677	B2 *	12/2006	Zeder et al.	83/698.11

D574,675 S \* 8/2008 Debuyer ..... D7/673  
2006/0283299 A1 \* 12/2006 Mellen et al. .... 83/401

\* cited by examiner

*Primary Examiner*—Philip S Hyder

(74) *Attorney, Agent, or Firm*—Squire, Sanders & Dempsey, L.L.P.

(57) **CLAIM**

The ornamental design for a blade, as shown and described.

**DESCRIPTION**

FIG. 1 is a perspective view of a blade;

FIG. 2 is a front view thereof;

FIG. 3 is a rear view thereof;

FIG. 4 is a left side view thereof;

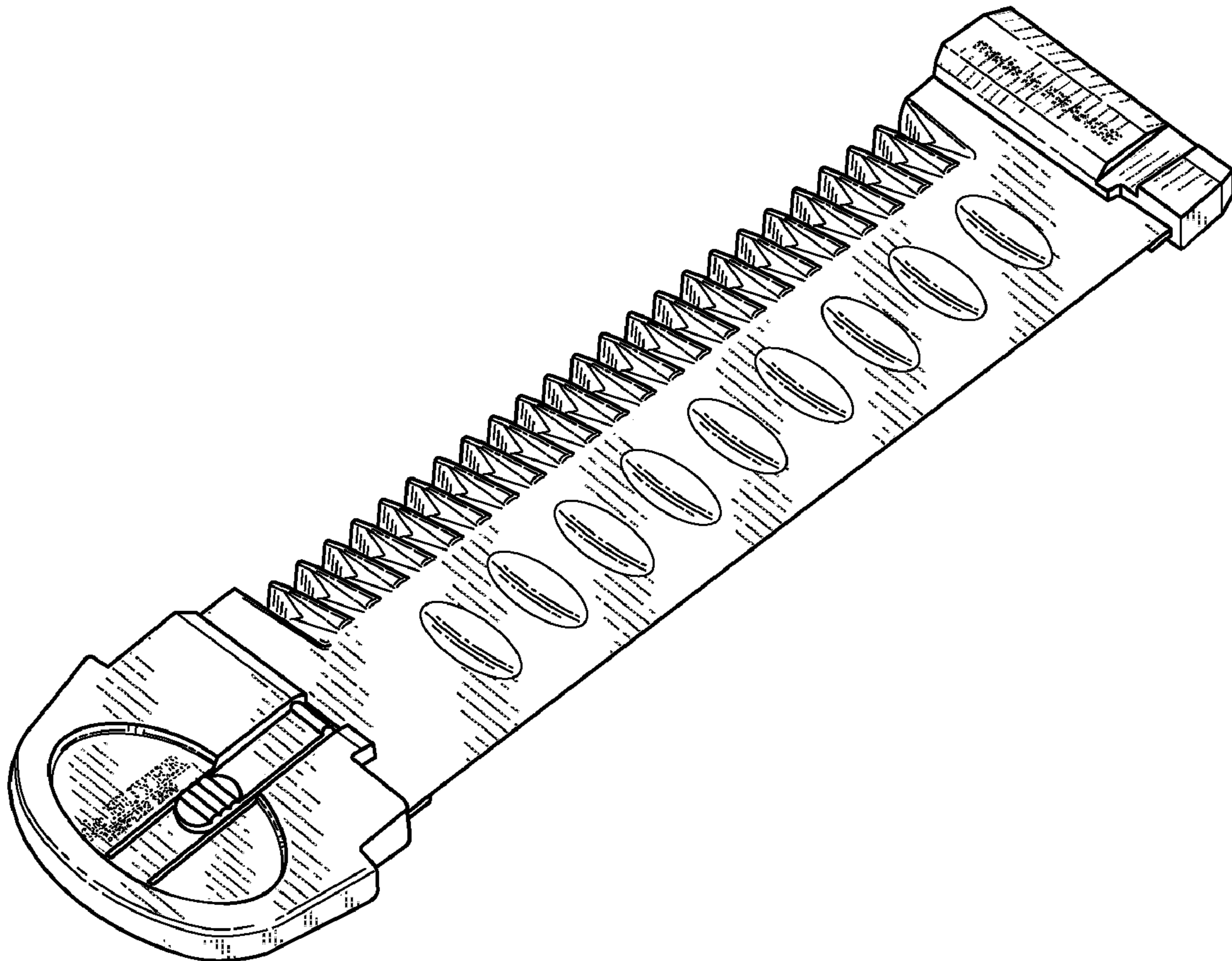
FIG. 5 is a right side view thereof;

FIG. 6 is a top view thereof; and,

FIG. 7 is a bottom view thereof.

The broken line showing of blade is for the purpose of illustrating portions of the blade and forms no part of the claimed design.

**1 Claim, 4 Drawing Sheets**



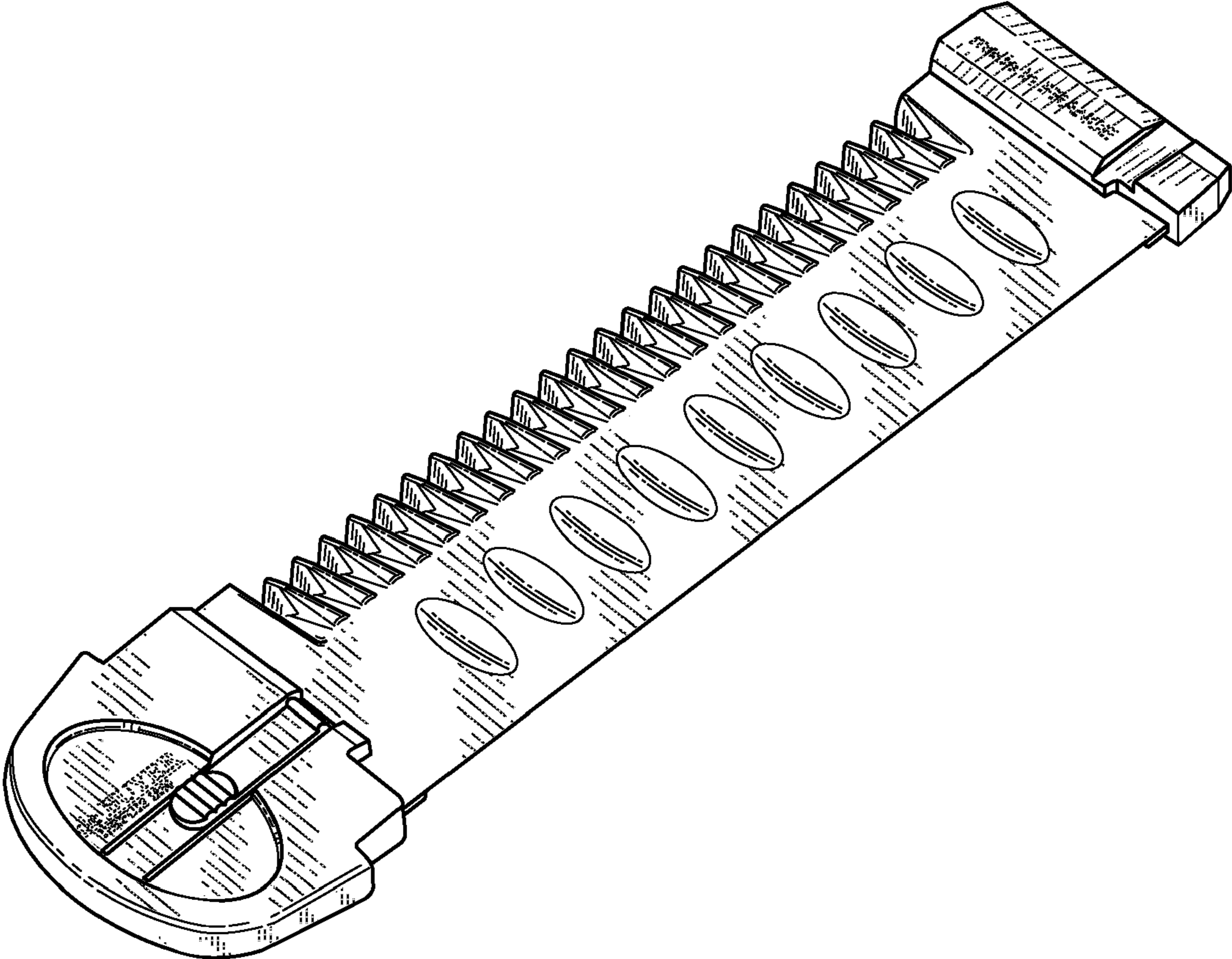


FIG. 1



FIG. 2



FIG. 3

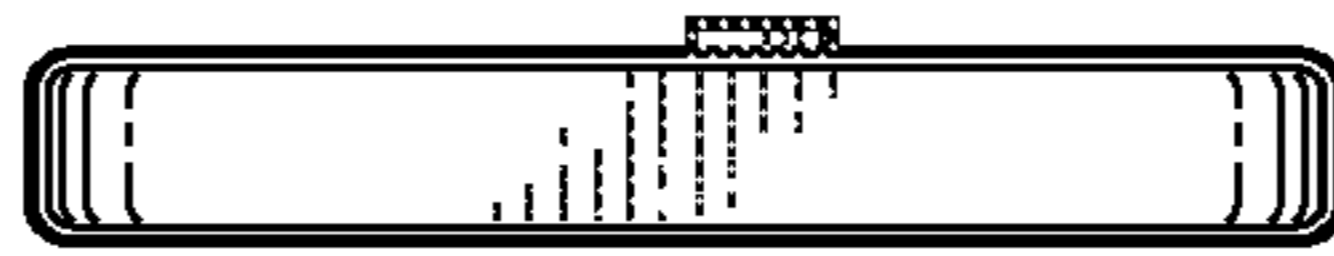


FIG. 4

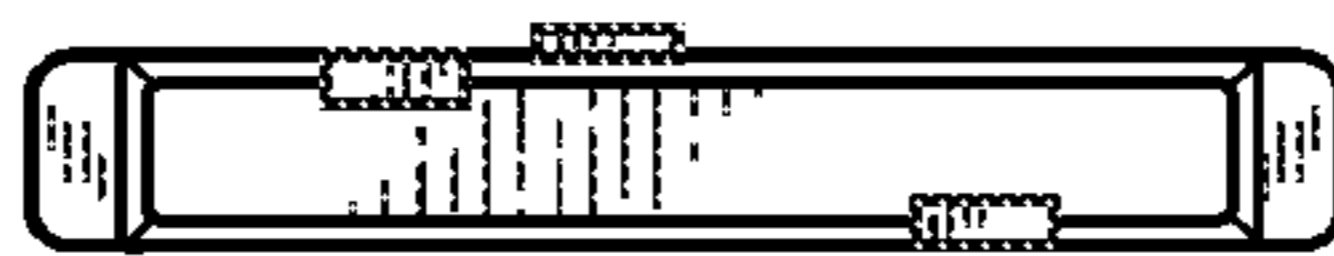


FIG. 5

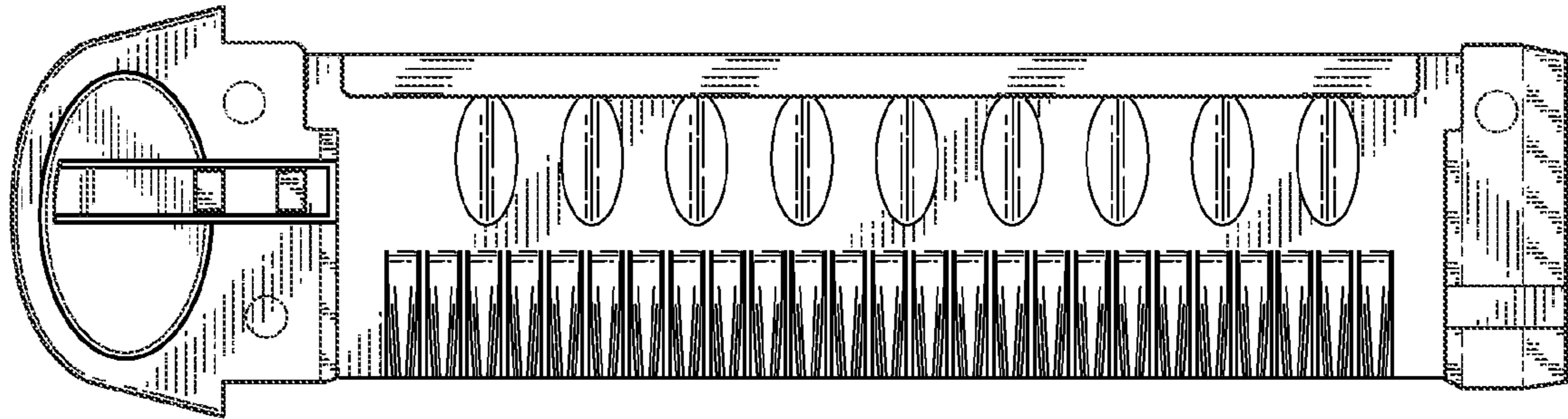


FIG. 6

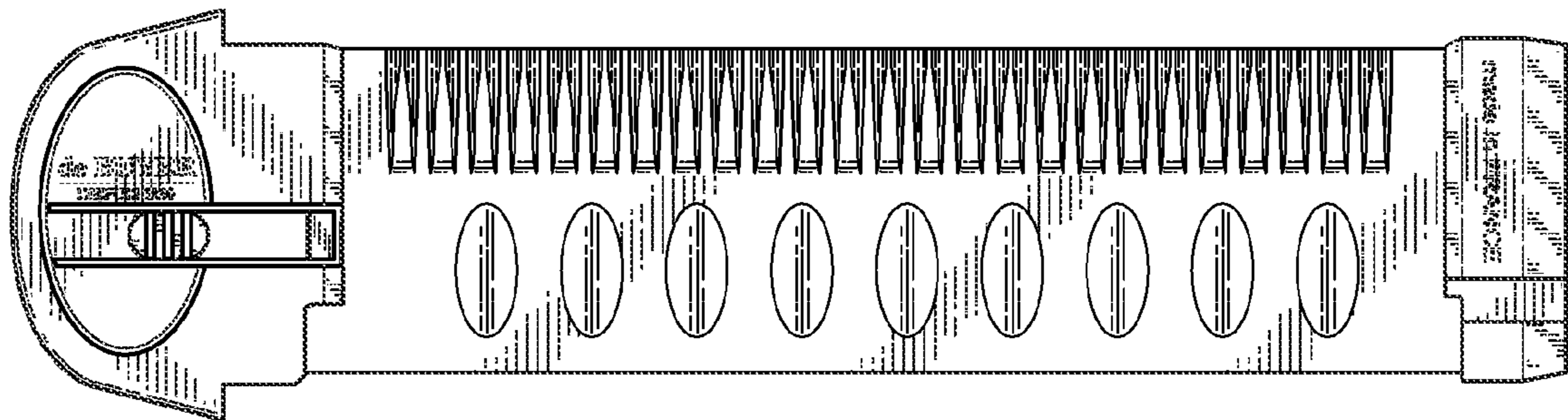


FIG. 7