



US00D590205S

(12) **United States Design Patent**
Tetreault et al.

(10) **Patent No.:** **US D590,205 S**

(45) **Date of Patent:** **** Apr. 14, 2009**

(54) **ELECTRIC SKILLET**

(75) Inventors: **Joel Tetreault**, Haskins, OH (US);
Kevin O'Doherty, Kowloon Bay (HK);
Liu Wai Hung, Kowloon Bay (HK); **Lee Chak Por**, Kowloon Bay (HK)

(73) Assignee: **Calphalon Corporation**, Freeport, IL (US)

(**) Term: **14 Years**

(21) Appl. No.: **29/290,666**

(22) Filed: **Dec. 31, 2007**

(51) **LOC (9) Cl.** **07-02**

(52) **U.S. Cl.** **D7/360**

(58) **Field of Classification Search** D7/323,
D7/337, 354-361, 365, 376-379, 383-384,
D7/545, 560; D21/525; 99/324-325, 329 R,
99/330-340, 347, 403, 410-413, 419, 473;
219/386, 401, 428-432, 435-436, 440-441;
220/203.01, 203.07, 303, 435, 573.1, 912

See application file for complete search history.

(56) **References Cited**

U.S. PATENT DOCUMENTS

D420,246 S *	2/2000	Alonge et al.	D7/360
D433,869 S *	11/2000	Wong et al.	D7/360
D453,091 S *	1/2002	Gouthiere	D7/360
D479,432 S *	9/2003	Barker	D7/360
D520,806 S *	5/2006	Ryan	D7/354
D525,479 S *	7/2006	Olsen et al.	D7/360

D528,353 S *	9/2006	Brady et al.	D7/360
D537,670 S *	3/2007	Genslak et al.	D7/354
7,291,812 B2 *	11/2007	Kaney et al.	219/435
D556,504 S *	12/2007	Averty	D7/360
D566,457 S *	4/2008	Ryan	D7/360
D568,676 S *	5/2008	Steiner et al.	D7/354

* cited by examiner

Primary Examiner—Caron D. Veynar

Assistant Examiner—Ricky Pham

(74) *Attorney, Agent, or Firm*—Foley & Lardner LLP

(57) **CLAIM**

We claim the ornamental design for an electric skillet, as shown and described.

DESCRIPTION

FIG. 1 is a top frontal perspective view of an electric skillet according to our new design;

FIG. 2 is a front view of the electric skillet shown in FIG. 1;

FIG. 3 is a back view of the electric skillet shown in FIG. 1;

FIG. 4 is a left side view of the electric skillet shown in FIG. 1;

FIG. 5 is a right side view of the electric skillet shown in FIG. 1;

FIG. 6 is a top view of the electric skillet shown in FIG. 1; and,

FIG. 7 is a bottom view of the electric skillet shown in FIG. 1.

The broken lines in the drawings are for illustrative purposes only and form no part of the claimed design.

1 Claim, 4 Drawing Sheets

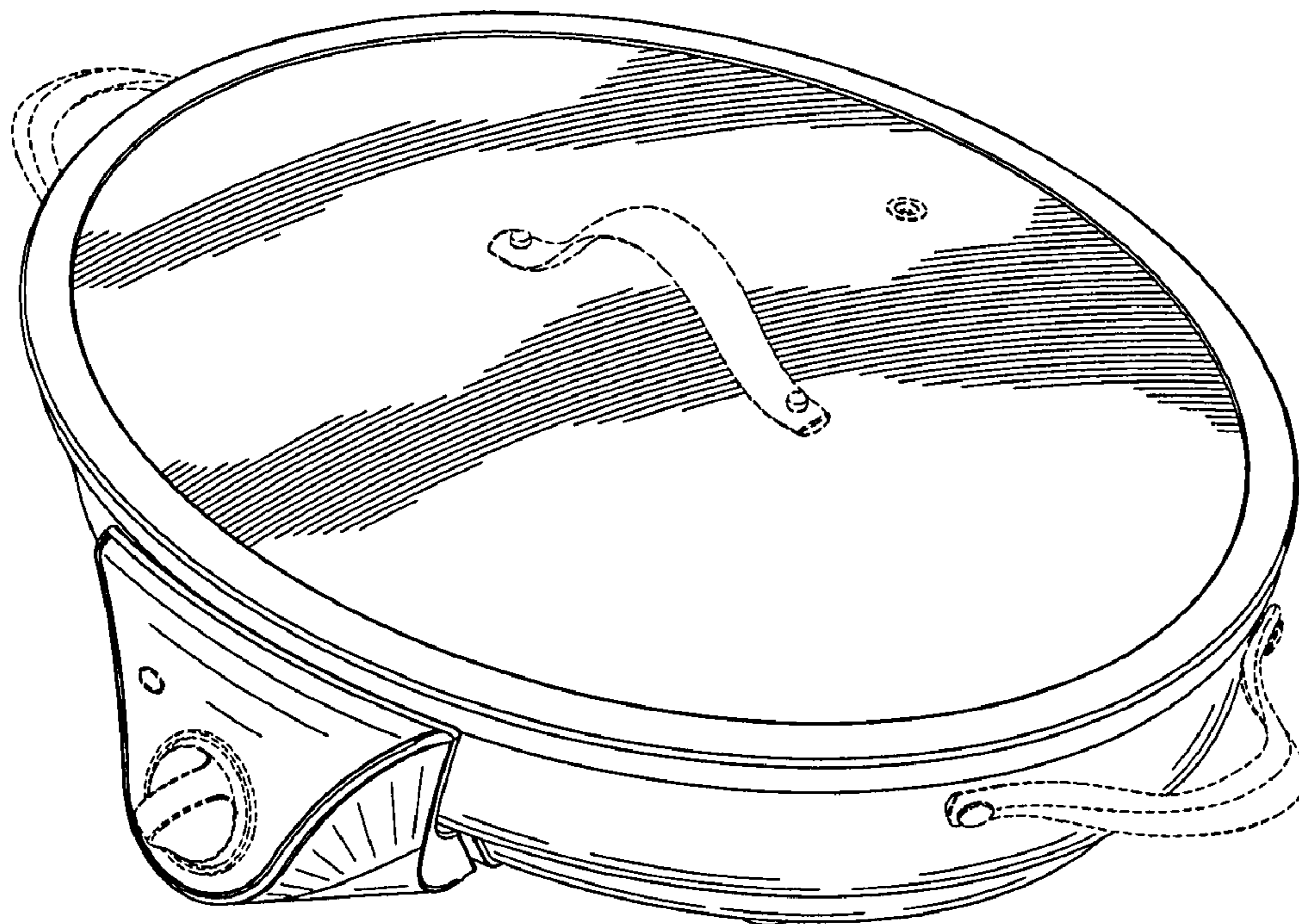


Fig. 1

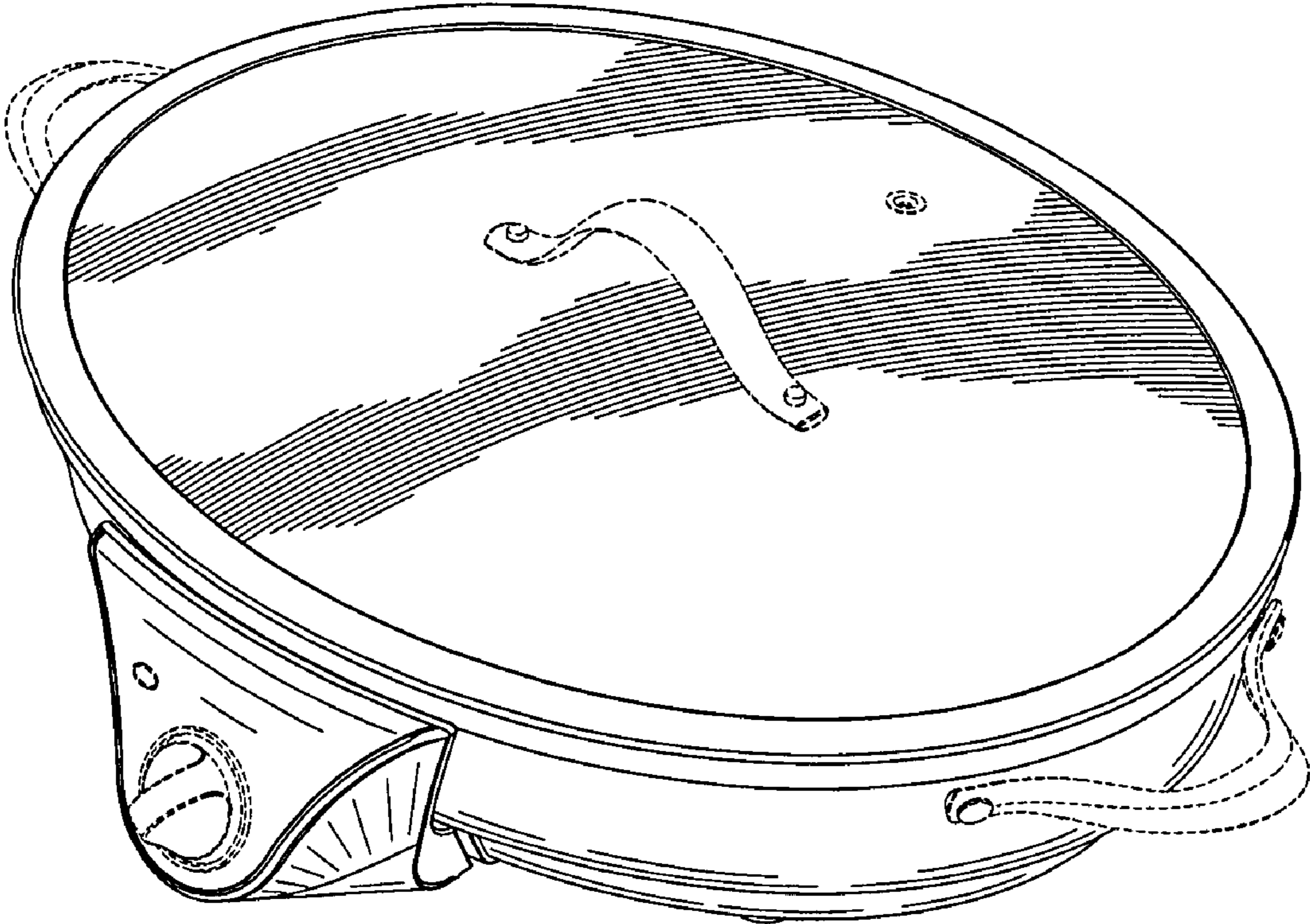


Fig. 2

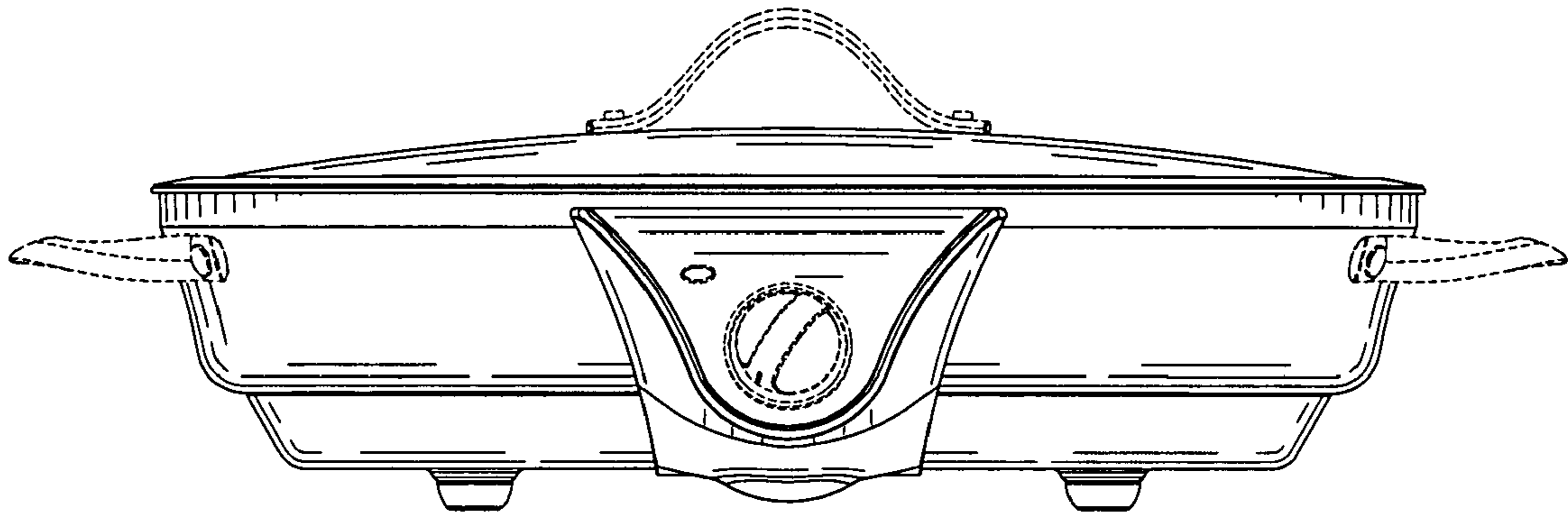


Fig. 3

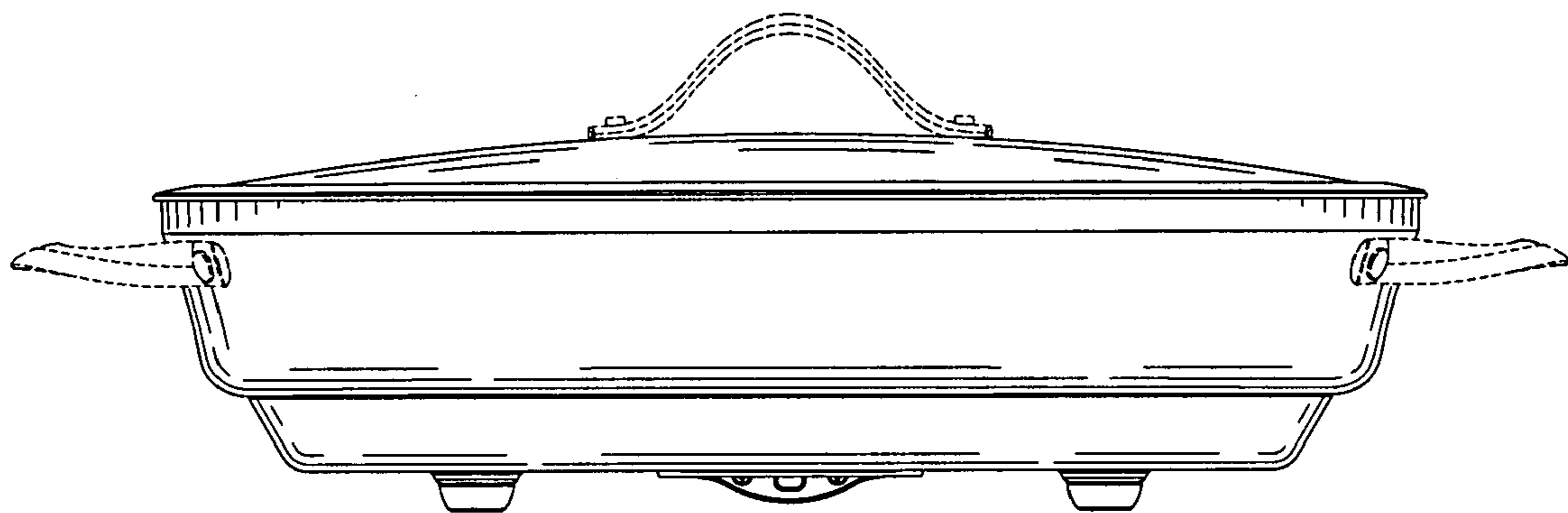


Fig. 4

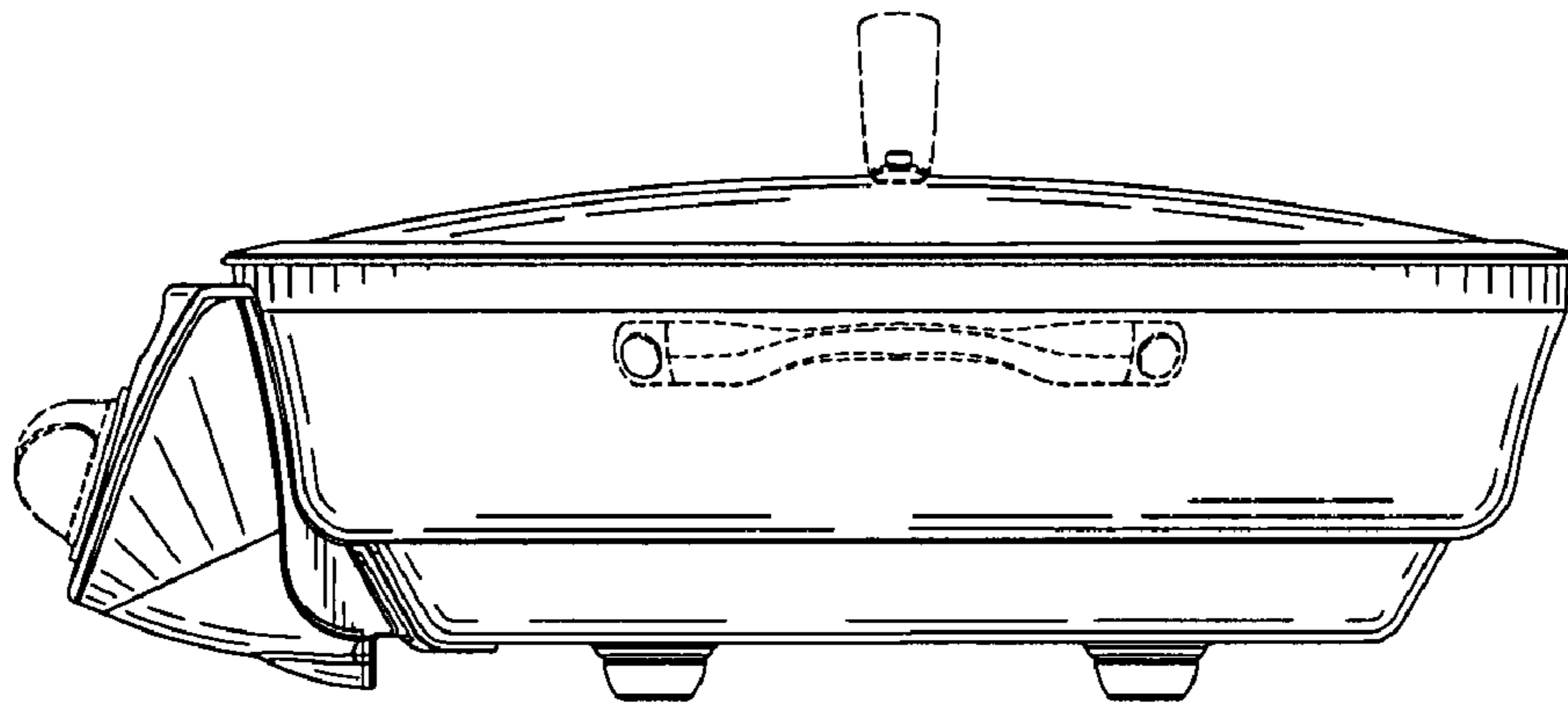


Fig. 5

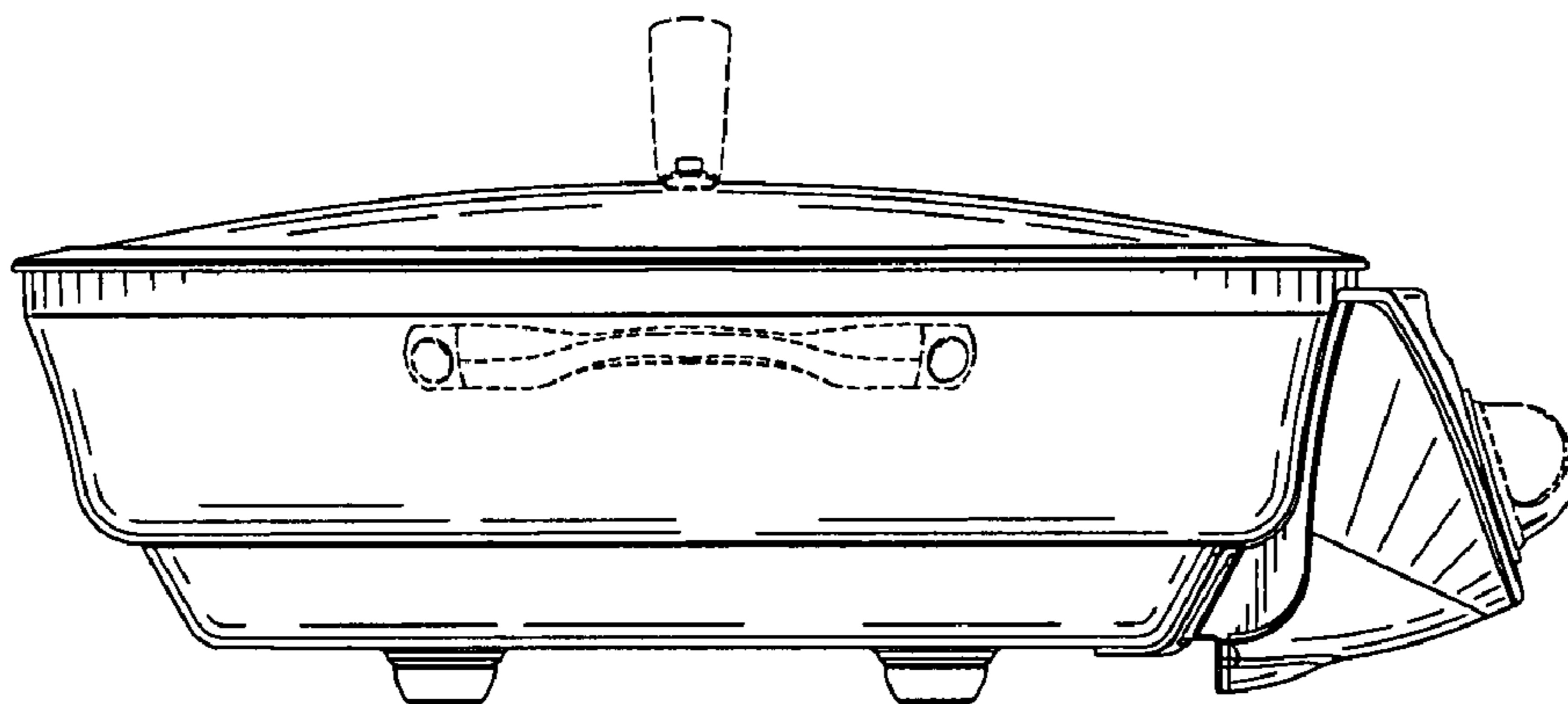


Fig. 6

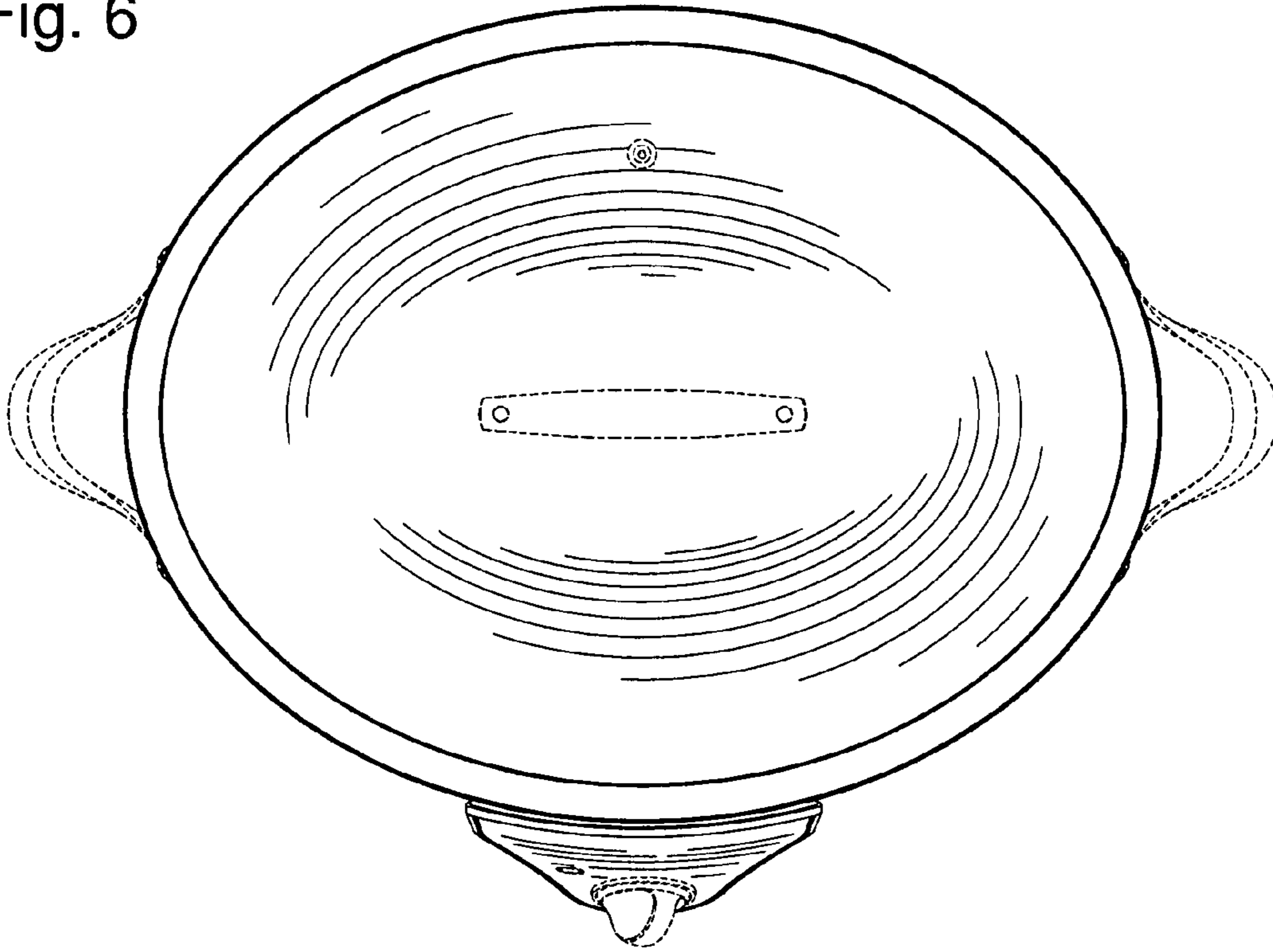


Fig. 7

