



US00D590204S

(12) **United States Design Patent**
Tetreault et al.

(10) **Patent No.:** **US D590,204 S**

(45) **Date of Patent:** **** Apr. 14, 2009**

(54) **SLOW COOKER**

(75) Inventors: **Joel Tetreault**, Haskins, OH (US);
Kevin O'Doherty, Kowloon Bay (HK);
Liu Wai Hung, Kowloon Bay (HK); **Lee Chak Por**, Kowloon Bay (HK)

(73) Assignee: **Calphalon Corporation**, Freeport, IL (US)

(**) Term: **14 Years**

(21) Appl. No.: **29/290,677**

(22) Filed: **Jan. 2, 2008**

(51) **LOC (9) Cl.** **07-02**

(52) **U.S. Cl.** **D7/354**

(58) **Field of Classification Search** D7/323,
D7/337, 354–361, 365, 376–379, 383–384,
D7/545, 560; D21/525; 99/324–325, 329 R,
99/330–340, 347, 403, 410–413, 419, 473;
219/386, 401, 428–432, 435–436, 440–441;
220/203.01, 203.07, 303, 573.1, 912

See application file for complete search history.

(56) **References Cited**

U.S. PATENT DOCUMENTS

D503,584 S * 4/2005 White et al. D7/355
D520,806 S * 5/2006 Ryan D7/354
D523,687 S * 6/2006 Jian D7/360

D537,670 S * 3/2007 Genslak et al. D7/354
7,291,812 B2 * 11/2007 Kaney et al. 219/435
D556,504 S * 12/2007 Averty D7/360
D566,457 S * 4/2008 Ryan D7/360
D568,676 S * 5/2008 Steiner et al. D7/354
2005/0173402 A1 * 8/2005 White et al. 219/432

* cited by examiner

Primary Examiner—Caron D. Veynar

Assistant Examiner—Ricky Pham

(74) *Attorney, Agent, or Firm*—Foley & Lardner LLP

(57) **CLAIM**

We claim the ornamental design for a slow cooker, as shown and described.

DESCRIPTION

FIG. 1 is a top frontal perspective view of a slow cooker according to my new design;

FIG. 2 is a front view of the slow cooker shown in FIG. 1;

FIG. 3 is a rear view of the slow cooker shown in FIG. 1;

FIG. 4 is a right side view of the slow cooker shown in FIG. 1;

FIG. 5 is a left side view of the slow cooker shown in FIG. 1;

FIG. 6 is a top view of the slow cooker shown in FIG. 1; and,

FIG. 7 is a bottom view of the slow cooker shown in FIG. 1.

The broken lines in the drawings are for illustrative purposes only and form no part of the claimed design.

1 Claim, 4 Drawing Sheets

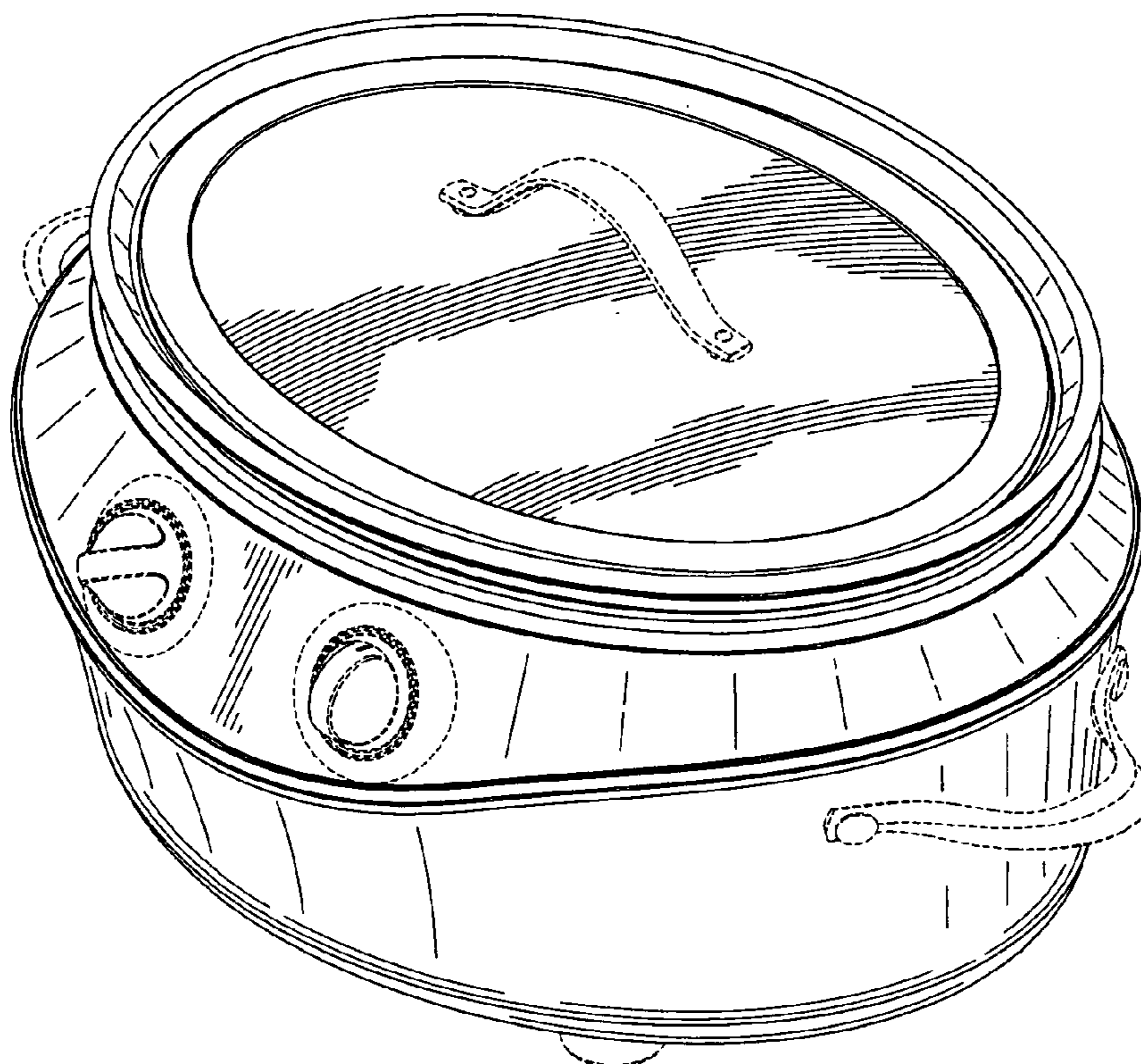


Fig. 1

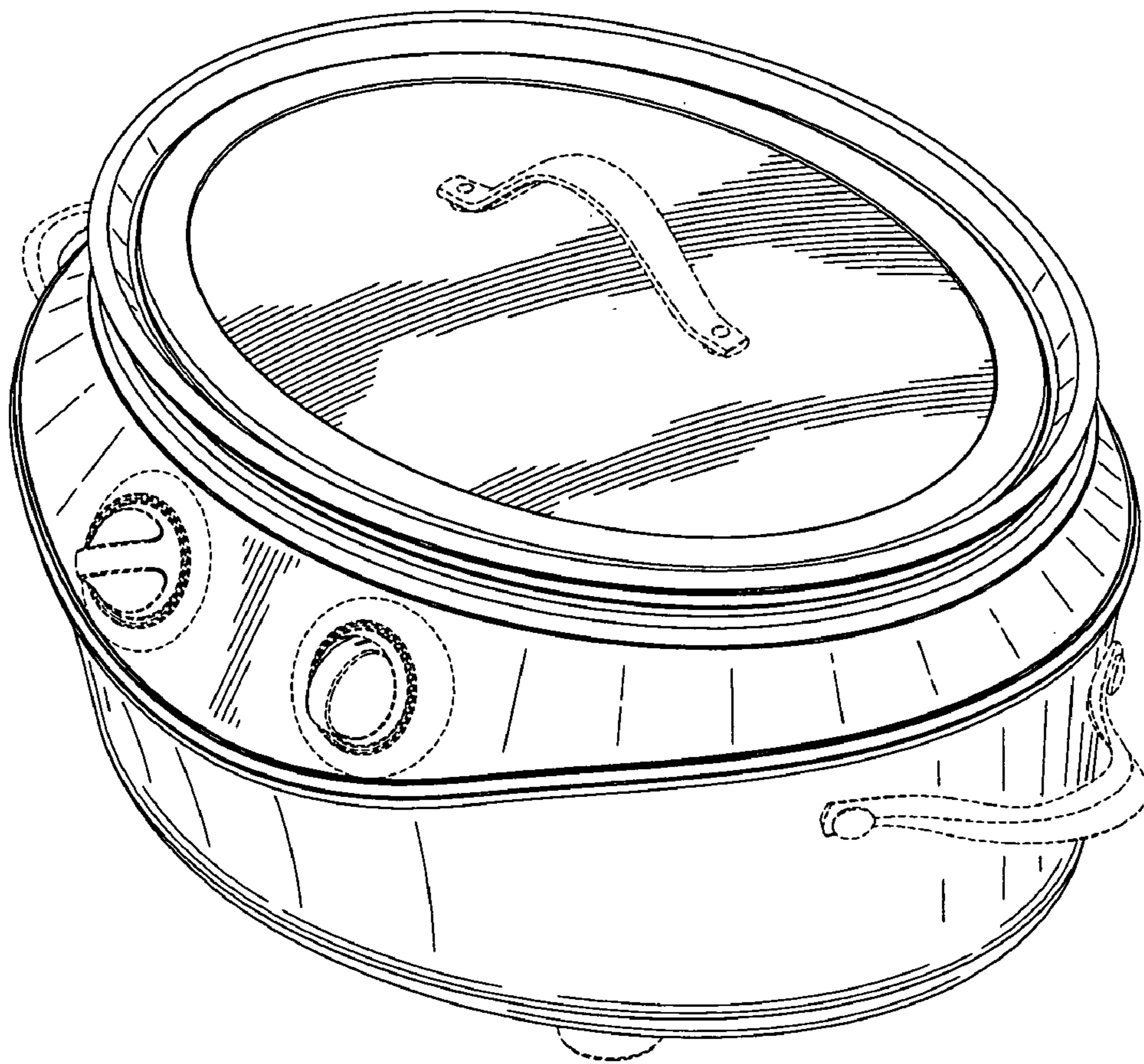


Fig. 2

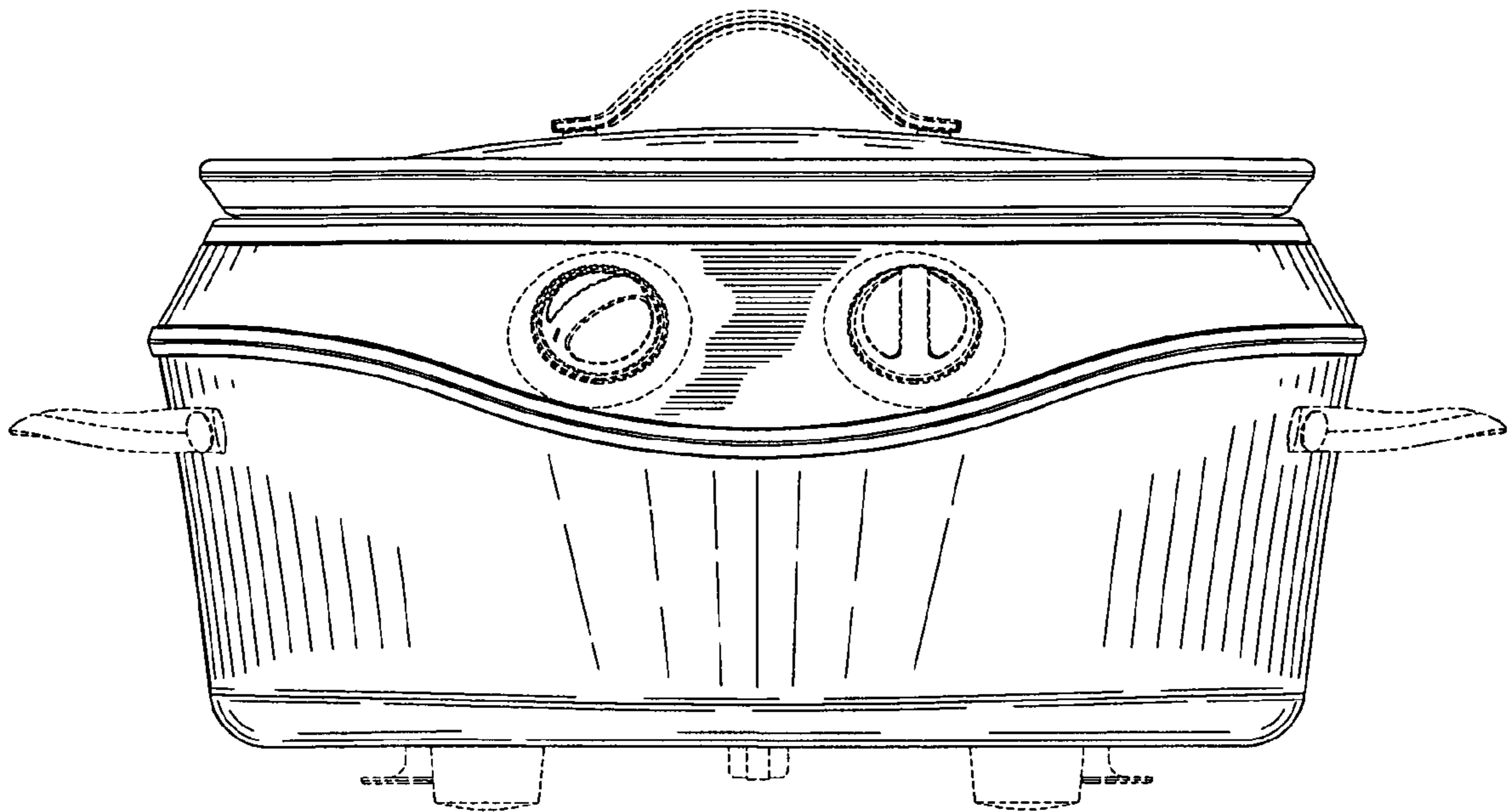


Fig. 3

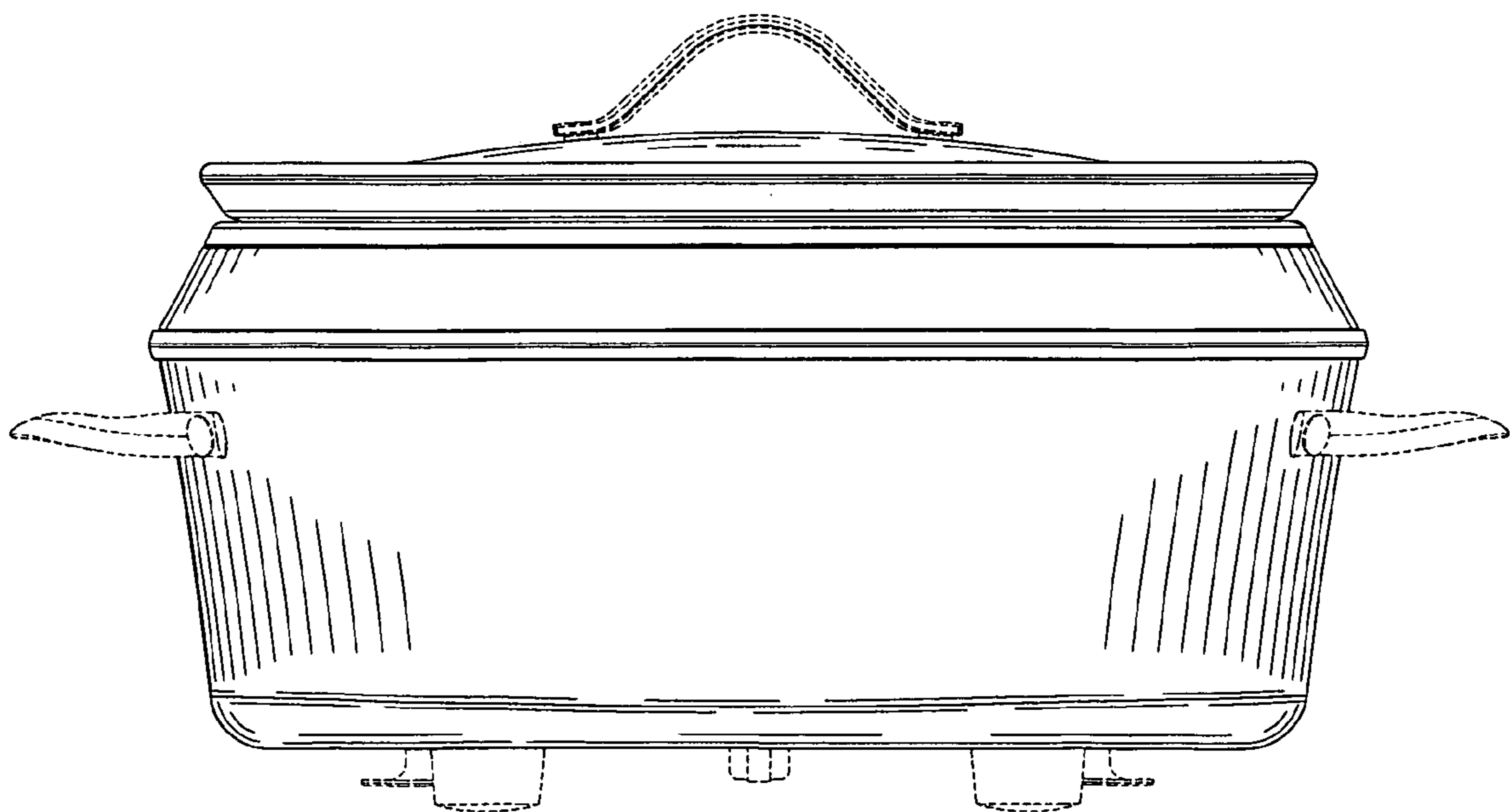


Fig. 4

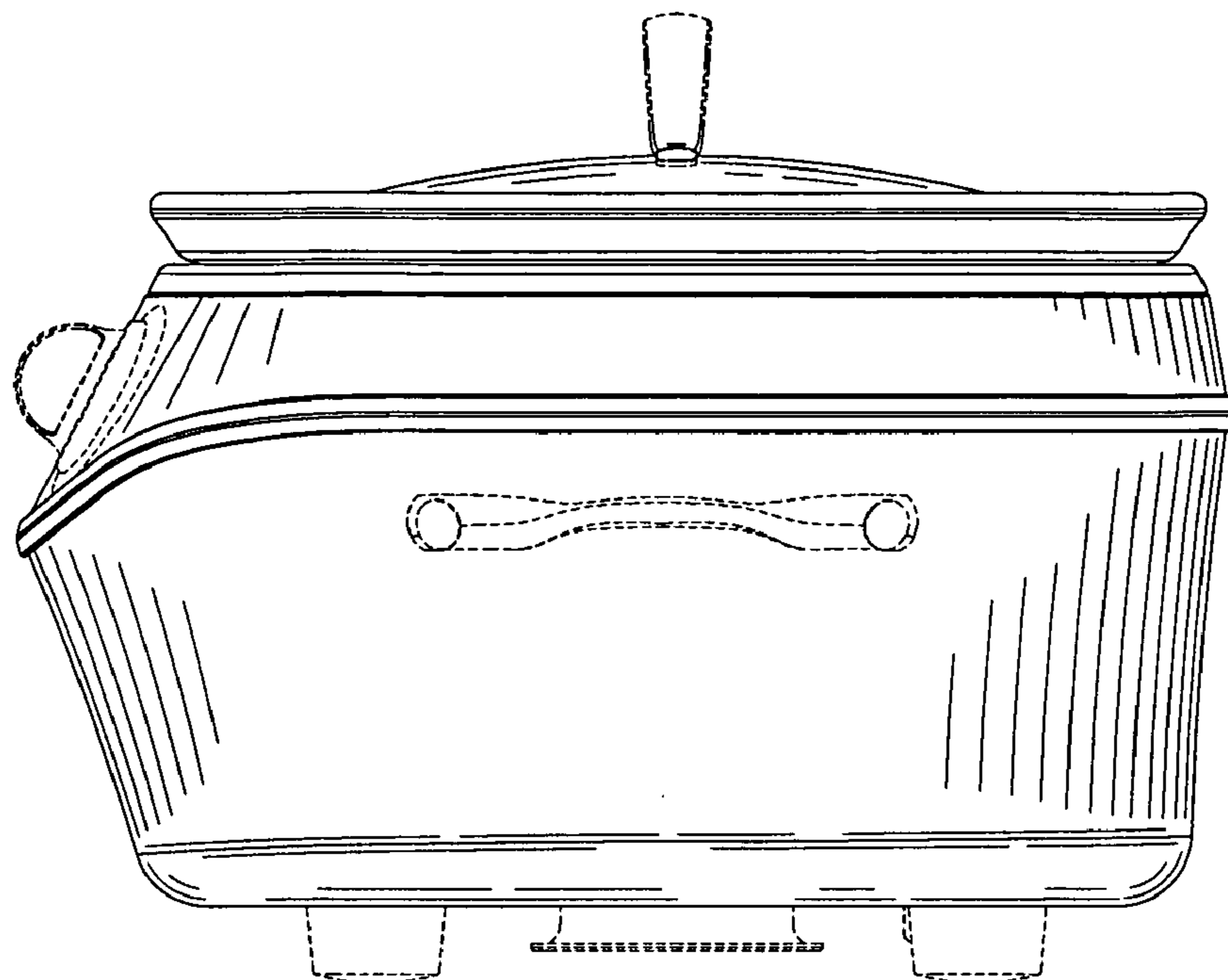


Fig. 5

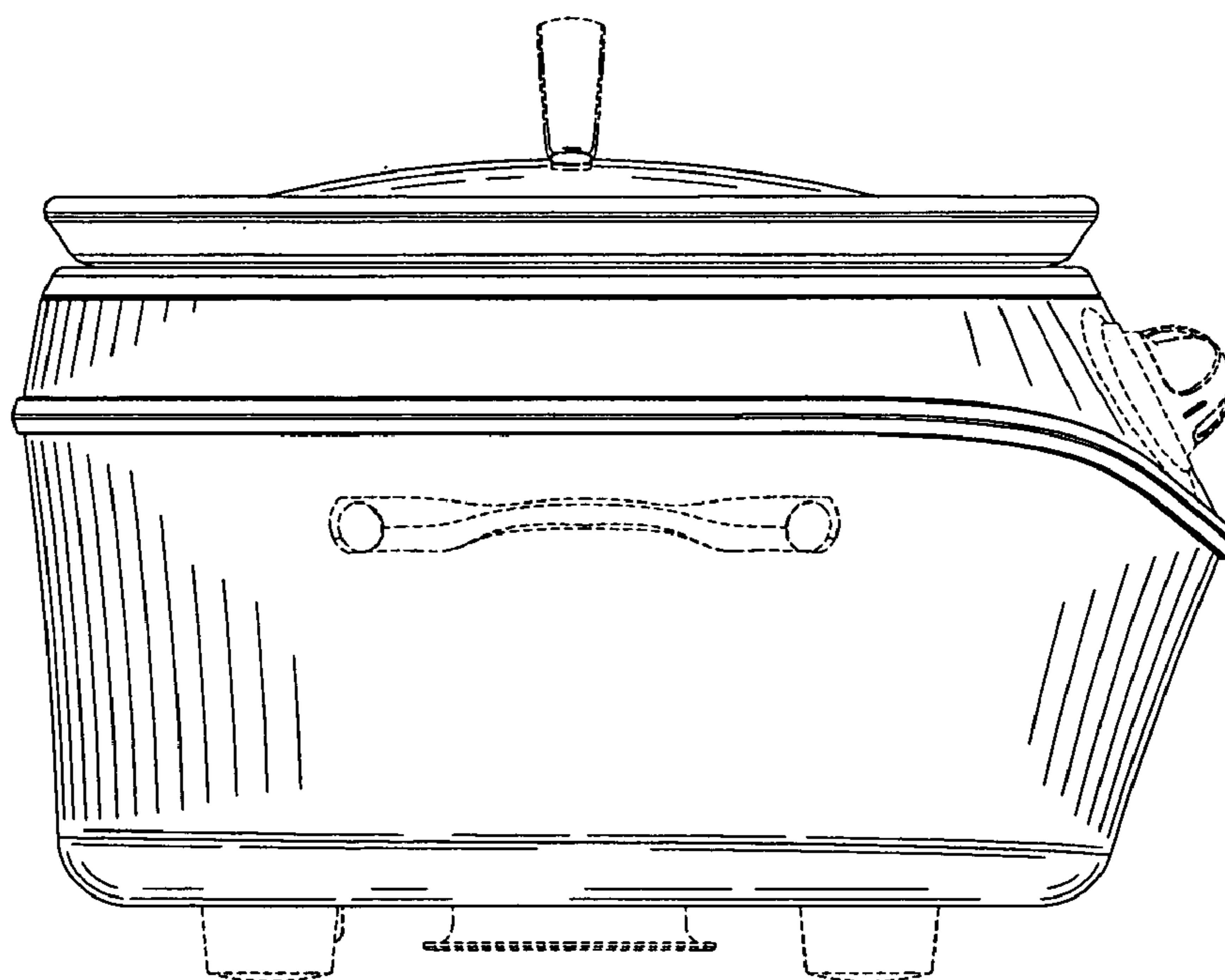


Fig. 6

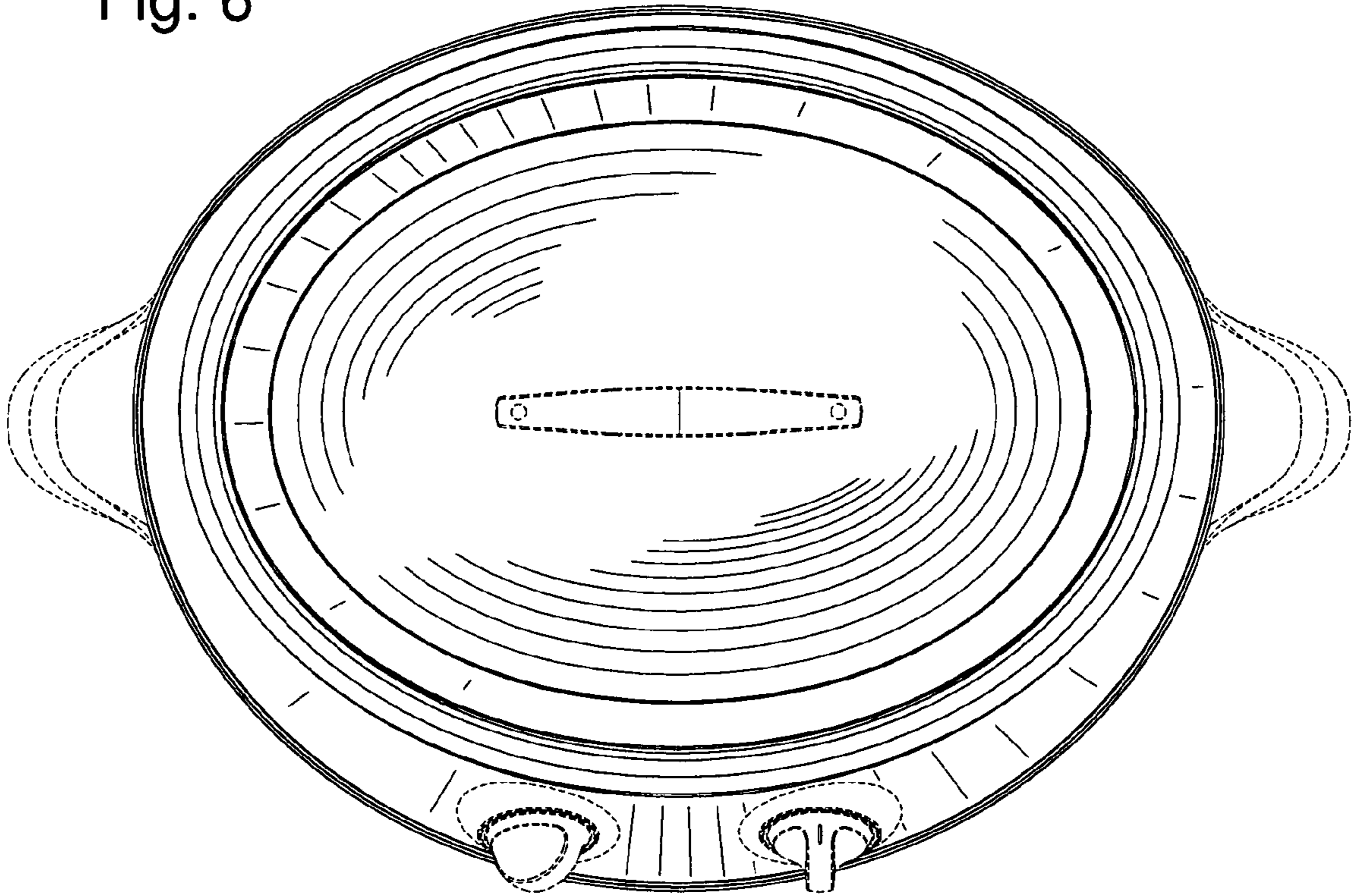


Fig. 7

