



US00D590202S

(12) **United States Design Patent**
Gadgil et al.

(10) **Patent No.:** **US D590,202 S**
(45) **Date of Patent:** **** Apr. 14, 2009**

(54) **FUEL EFFICIENT PORTABLE STOVE FOR USE WITH A ROUND-BOTTOM POT**

(75) Inventors: **Ashok J. Gadgil**, El Cerrito, CA (US);
Ken P. Chow, Moraga, CA (US);
Howdy Goudey, El Cerrito, CA (US)

(73) Assignee: **The Regents of the University of California**, Oakland, CA (US)

(**) Term: **14 Years**

(21) Appl. No.: **29/317,650**

(22) Filed: **May 2, 2008**

(51) **LOC (9) Cl.** **07-02**

(52) **U.S. Cl.** **D7/339**

(58) **Field of Classification Search** D7/339,
D7/332-337, 402-405, 354, 213; 126/25 A,
126/25 AA, 9 R, 9 A, 9 B, 37 R, 41 R, 40,
126/50, 12, 276, 8, 304 R; 99/481-482;
312/249.13, 249.8, 351.2; D23/332

See application file for complete search history.

(56) **References Cited**

U.S. PATENT DOCUMENTS

4,489,706 A *	12/1984	Hait	126/9 R
D453,372 S *	2/2002	Pecoskie	D23/332
D463,948 S *	10/2002	Innes	D7/332
D481,903 S *	11/2003	Hester	D7/332
D548,513 S *	8/2007	Huang	D7/332
D555,417 S *	11/2007	Bellini et al.	D7/323

OTHER PUBLICATIONS

Amrose, Susan, "Development and Testing of the Berkeley Darfur Stove" (Feb. 29, 2008). /Lawrence Berkeley National Laboratory./ Paper LBNL-116E.
Chen, Allan, "A Mission to Darfur", <http://www.lbl.gov/Science-Articles/Archive/sabl/2006/Mar/01-Darfur.html>, Mar. 31, 2006.
Galitsky, Christina et al., "Fuel Efficient Stoves for Darfur Camps of Internally Displaced Persons—Report of Field Trip to North and South Darfur, Nov. 16-Dec. 17, 2005" (Feb. 1, 2006). /Lawrence Berkeley National Laboratory./ Paper LBNL-59540.

Goodwin, Jan, "Fueling Hope", The Oprah Magazine, Jun. 2007.
Henry, Neil, "Hot Idea", <http://www.smithsonianmag.com/specialsections/Innovators/galitsky.html>, Oct. 2007.
Sheridan, Barrett, "The Flames of Hope", <http://www.newsweek.com/id/33259>, Aug. 15, 2007.
Pinck, Pascal, "Berkeley scientists work scrap metal for Darfur", <http://www.washingtonpost.com/wp-dyn/content/article/2007/08/07/AR2007080701050.html>, Aug. 7, 2007.
"EWB Volunteer Profile: Brian Tachibana", EWB-SFP Newsletter, Spring 2007.
2006 Updates, Darfur Cookstoves, <http://darfurstoves.lbl.gov/updates2006.html>.
2007 Updates, Darfur Cookstoves, <http://darfurstoves.lbl.gov/updates2007.htm>.
2008 Updates, Darfur Cookstoves, <http://darfurstoves.lbl.gov/updates2008.html>.
"Breakthrough Award", Popular Mechanics, Nov. 2007, p. 81.
"Making a Difference in Darfur", UCLA Engineering News Center.

* cited by examiner

Primary Examiner—Catherine R Oliver
(74) *Attorney, Agent, or Firm*—Robin C. Chiang; Lawrence Berkeley National Laboratory

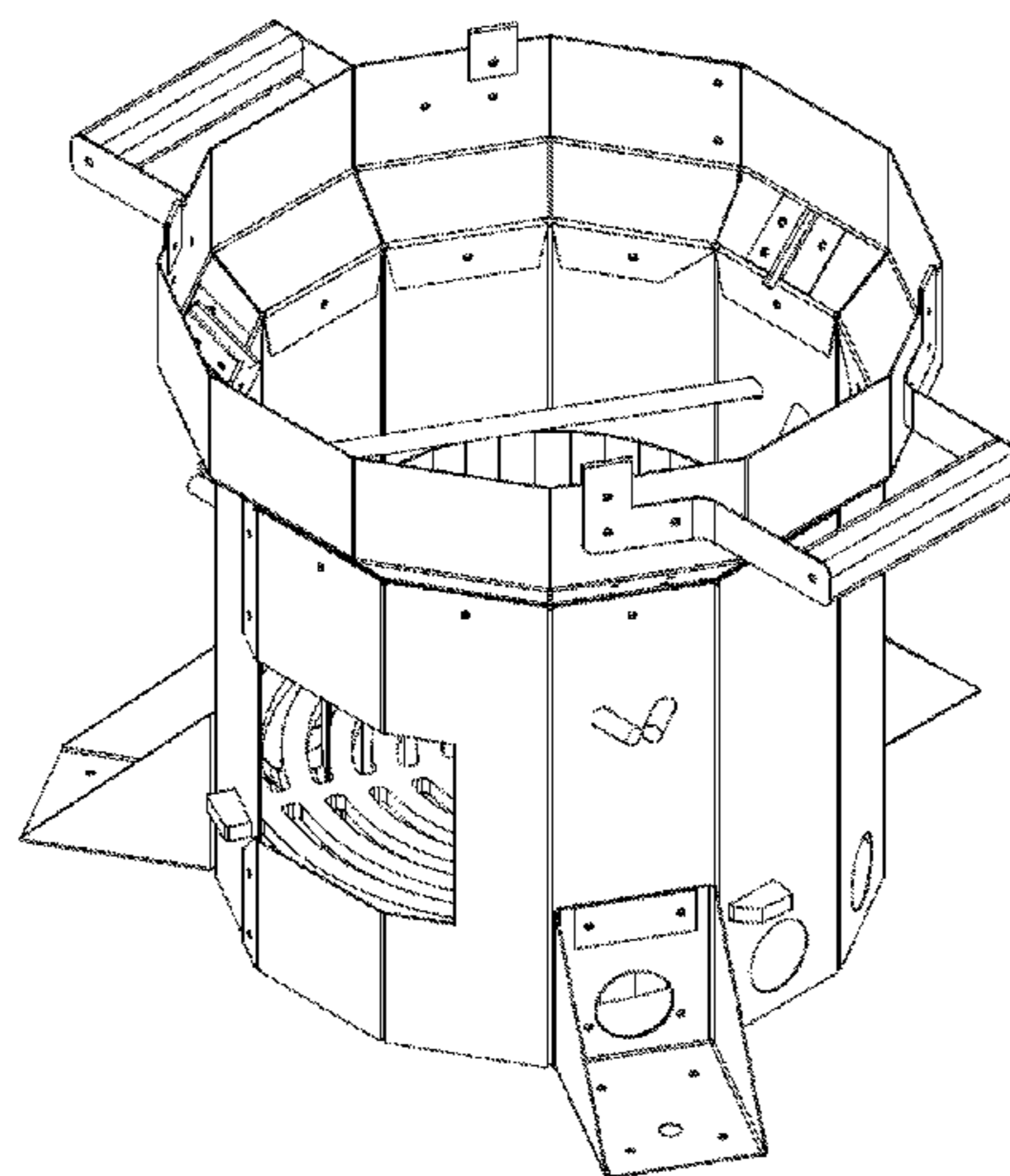
(57) **CLAIM**

I claim the ornamental design for a fuel efficient portable stove for use with a round-bottom pot, as shown and described.

DESCRIPTION

FIG. 1 is a top view of the stove.
FIG. 2 is a bottom view of the stove.
FIG. 3 is a front view of the stove.
FIG. 4 is a side view of the stove.
FIG. 5 is a rear view of the stove.
FIG. 6 is a perspective three-dimensional view from above of the stove; and,
FIG. 7 is a perspective three-dimensional view from below of the stove.

1 Claim, 7 Drawing Sheets



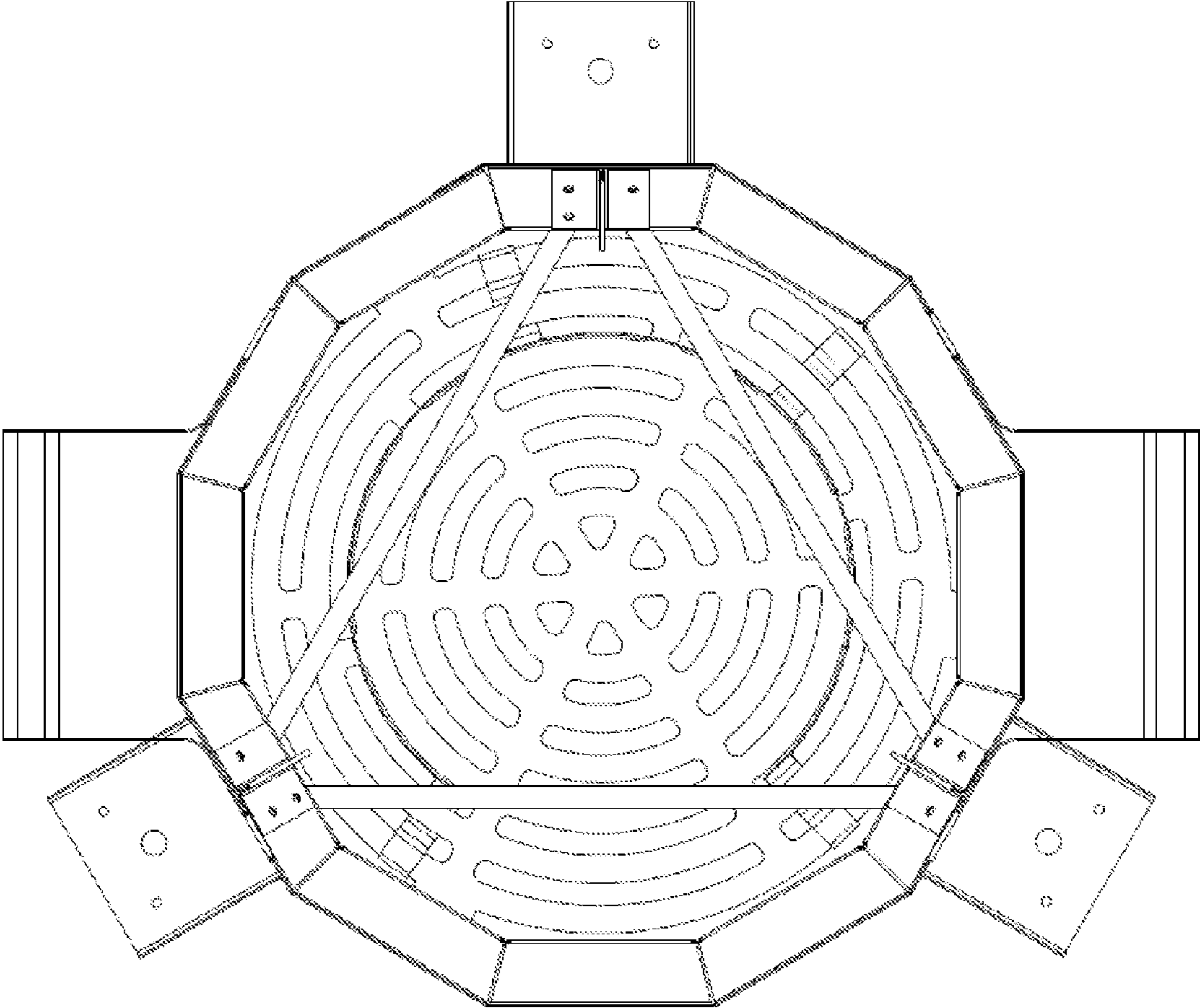


Figure 1

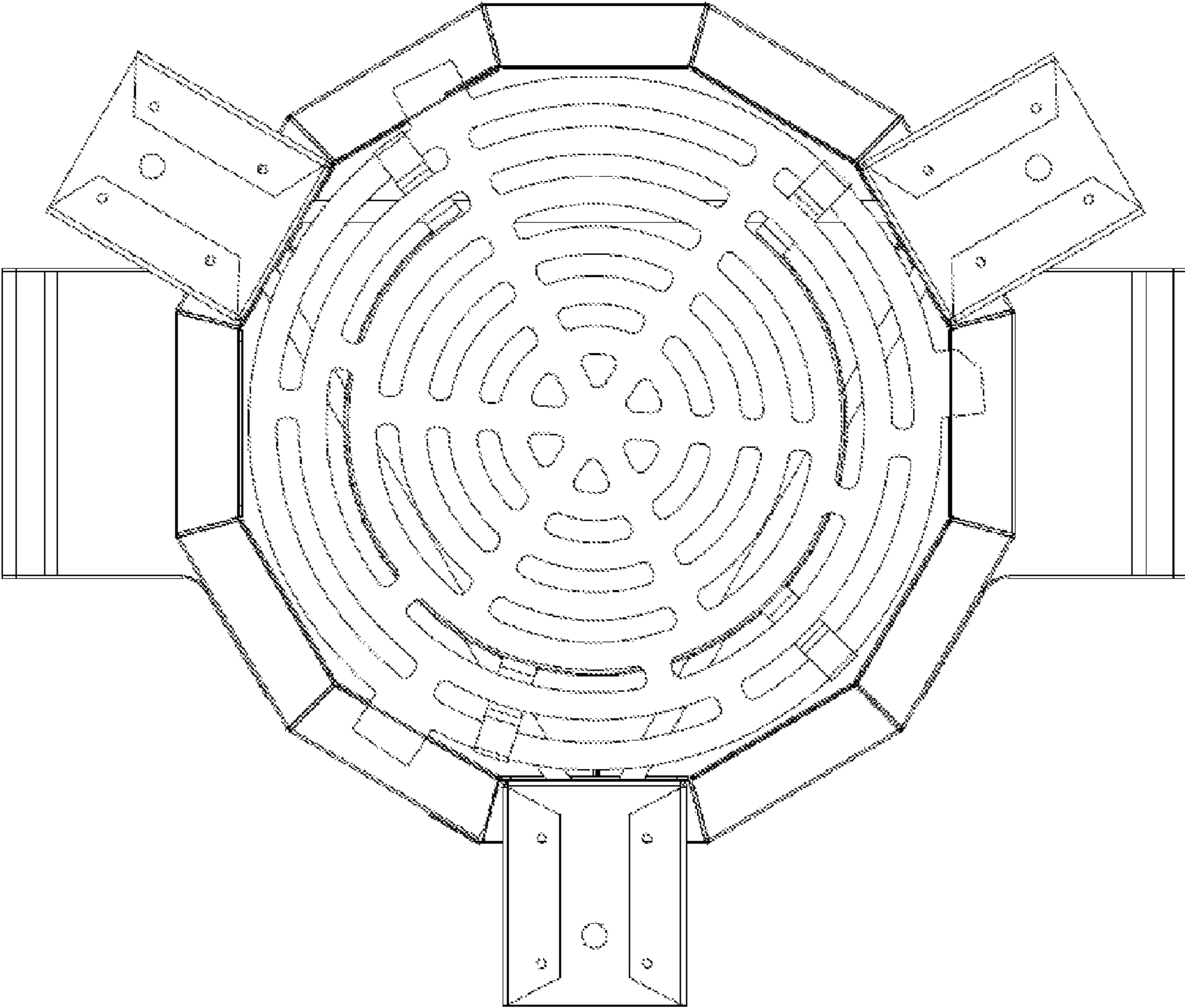


Figure 2

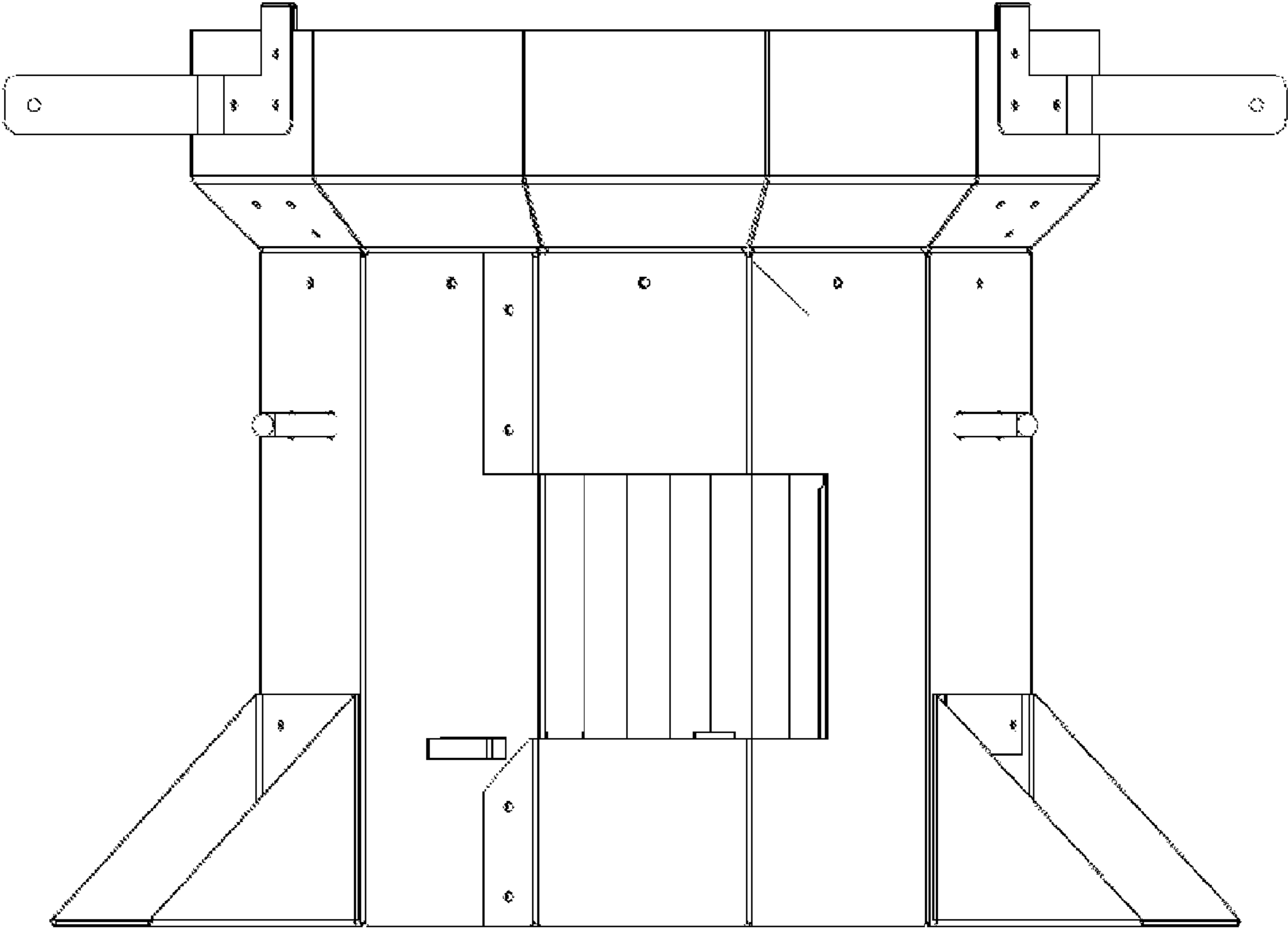


Figure 3

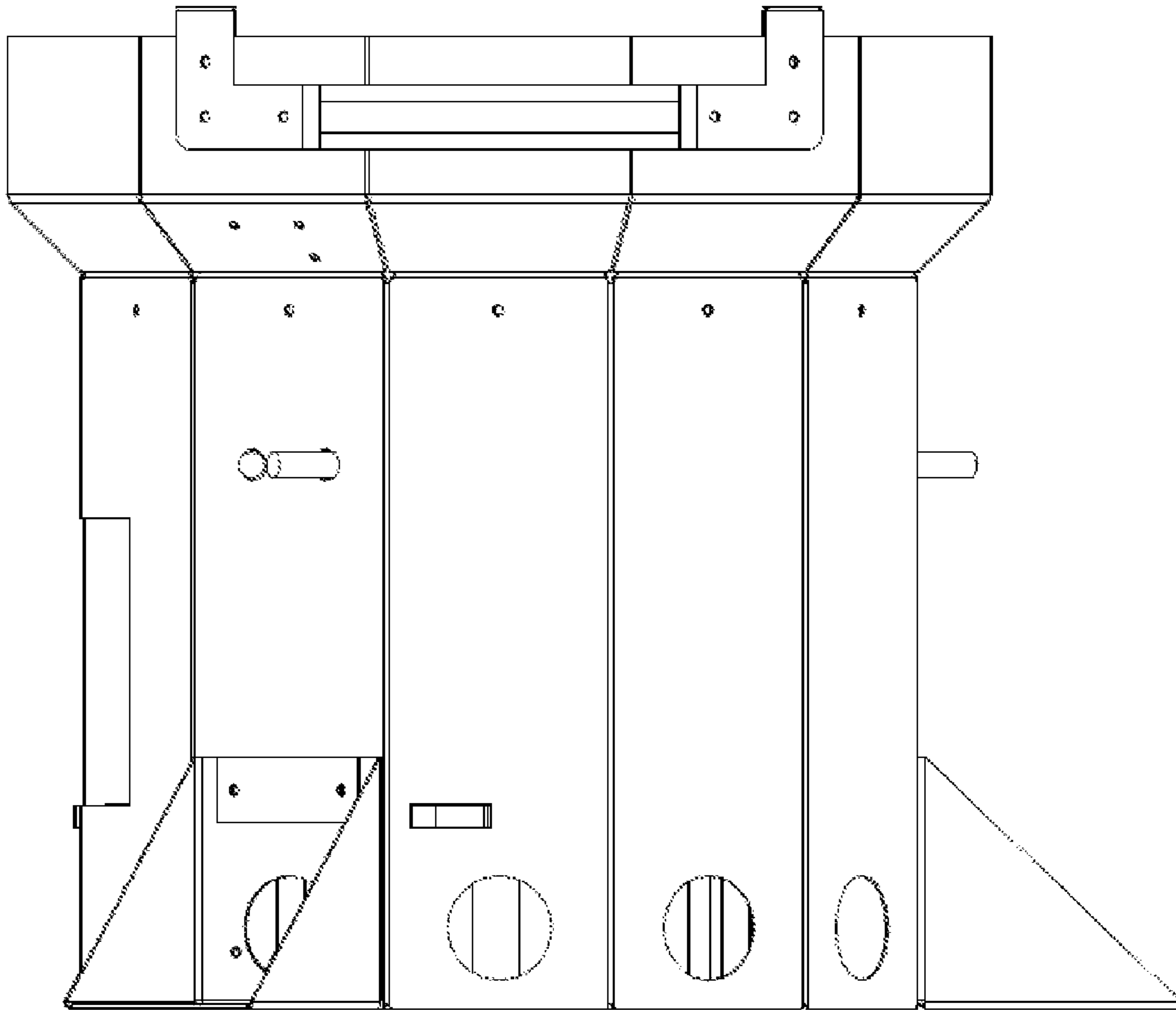


Figure 4

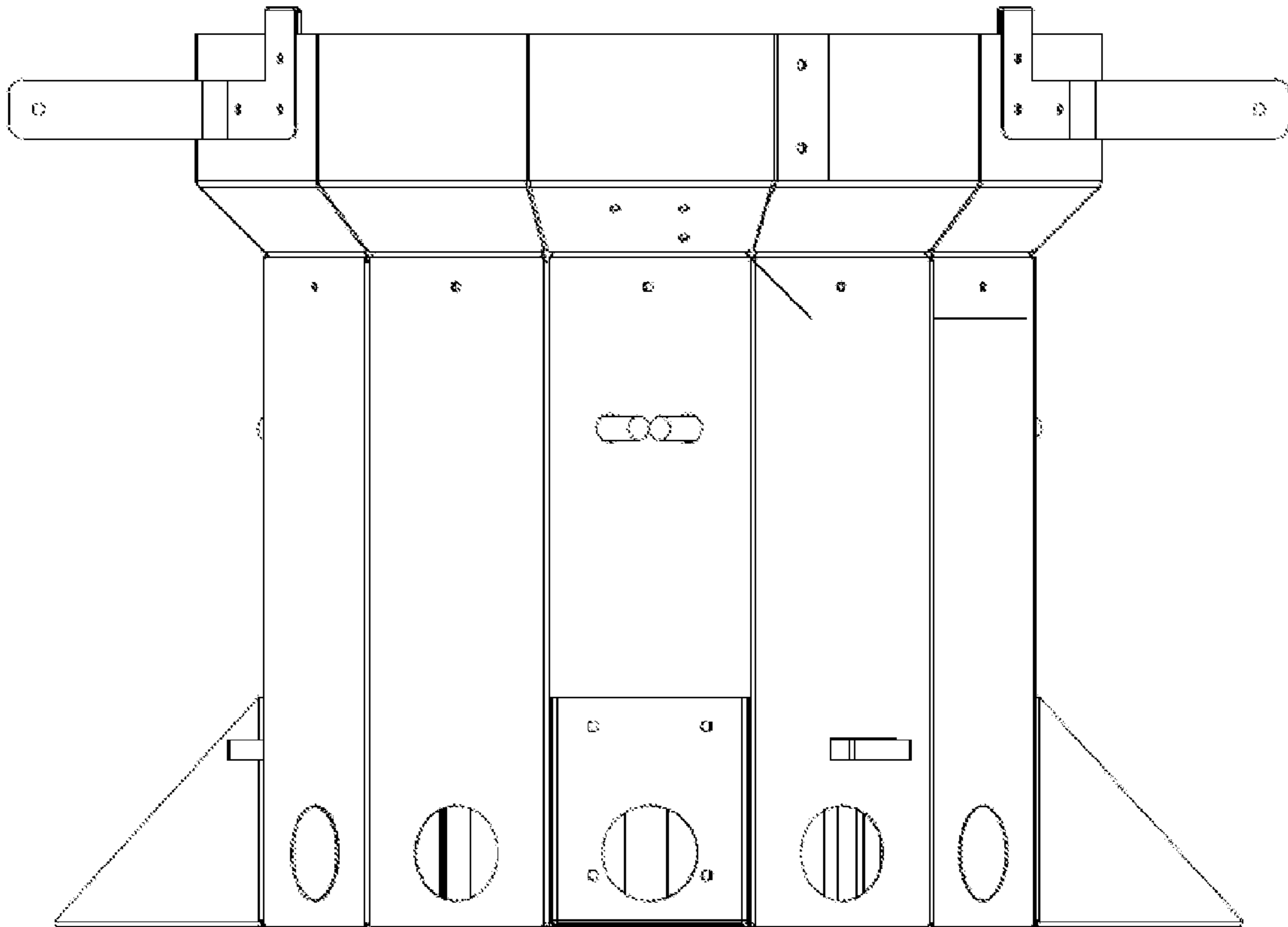


Figure 5

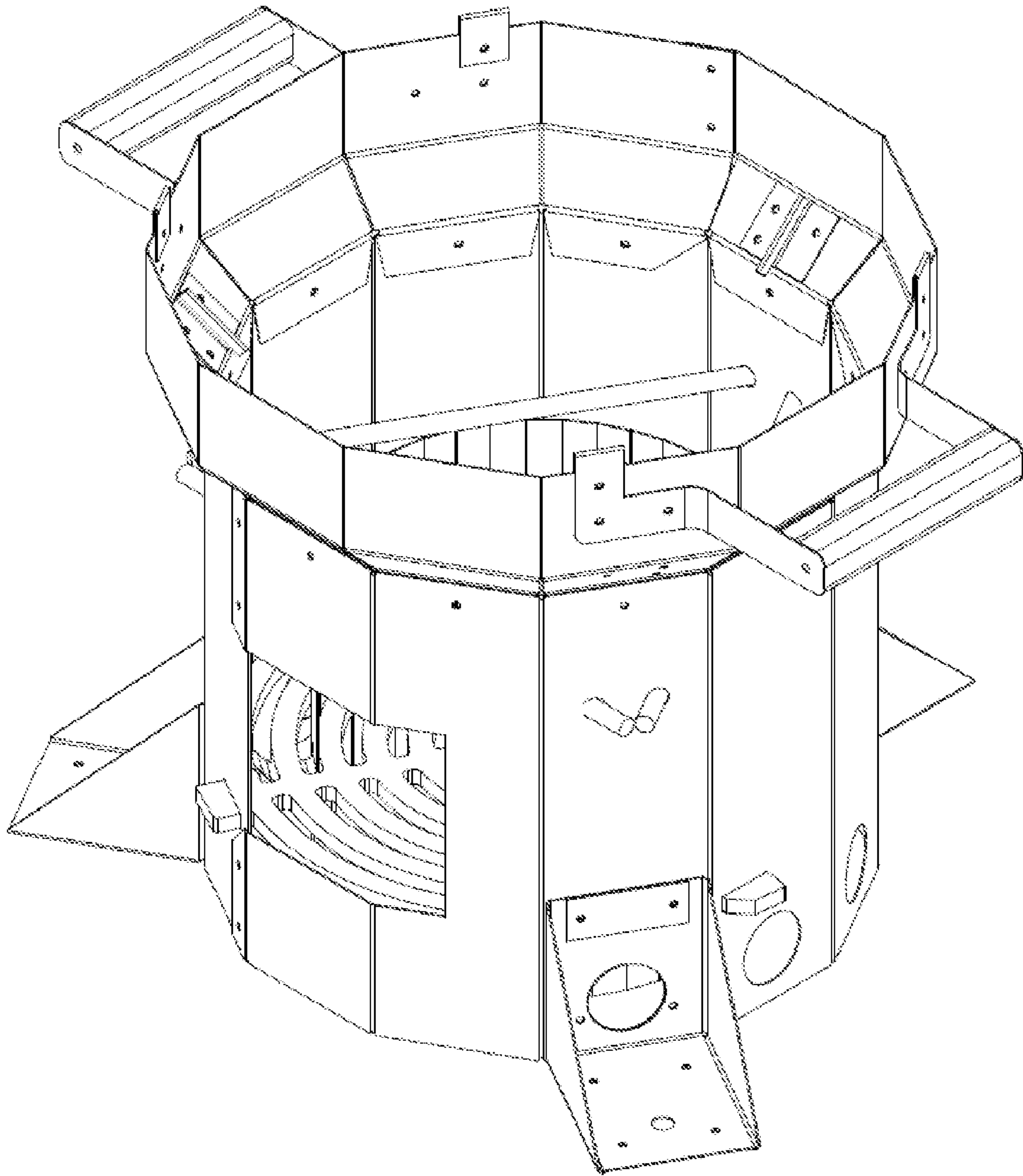


Figure 6

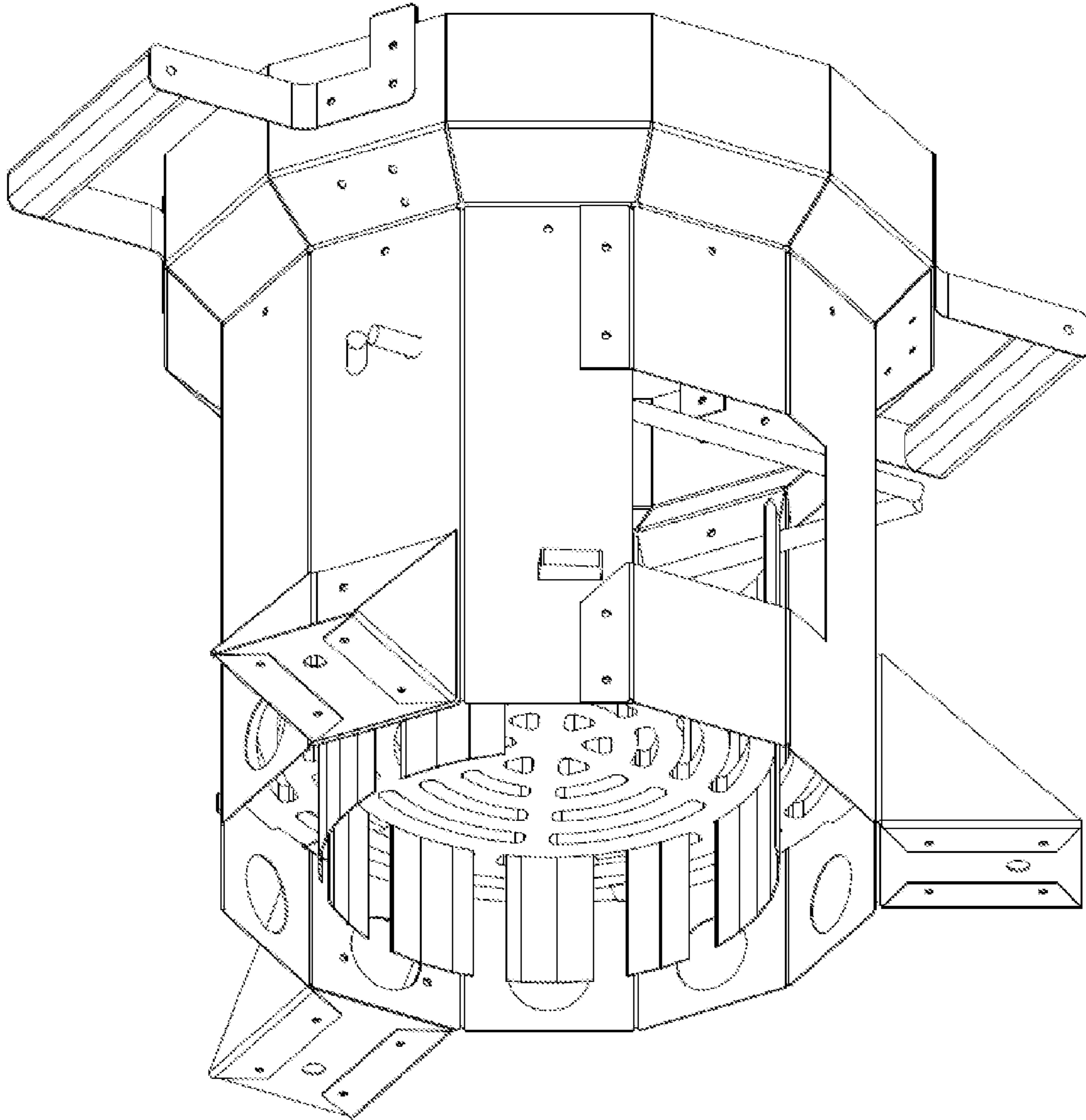


Figure 7