



US00D590201S

(12) **United States Design Patent**
Zagar

(10) **Patent No.:** **US D590,201 S**

(45) **Date of Patent:** **** Apr. 14, 2009**

(54) **COMBINED BARBEQUE TABLE AND GRILL**

(75) Inventor: **Stephen Zagar**, Woodside (AU)

(73) Assignee: **Zagreb Investments Pty. Ltd.**,
Woodside (AU)

(**) Term: **14 Years**

(21) Appl. No.: **29/294,298**

(22) Filed: **Jan. 3, 2008**

(30) **Foreign Application Priority Data**

Jul. 6, 2007 (AU) 18738/2007

(51) **LOC (9) Cl.** **15-05**

(52) **U.S. Cl.** **D7/335**

(58) **Field of Classification Search** D7/332,
D7/334-337, 402-405, 407; 126/25 R, 29-30,
126/25 A, 25 AA, 9 R, 38, 37 R, 41 R, 40,
126/39 E, 39 H, 50, 276, 268, 519, 506; 99/481-482,
99/646 R; D6/480, 486; 108/50.13, 150,
108/51.1, 11; 312/236, 223.1, 351.2, 351.11,
312/100

See application file for complete search history.

(56) **References Cited**

U.S. PATENT DOCUMENTS

D131,939 S * 4/1942 Robinson D7/332
D253,931 S * 1/1980 DeVischer et al. D7/332

D280,580 S * 9/1985 Appel et al. D6/486
D286,002 S * 10/1986 Brix D7/332
D389,009 S * 1/1998 Baykal D7/335
D394,779 S * 6/1998 Hilvitz D7/335
D449,490 S * 10/2001 Frederick D7/332
D579,708 S * 11/2008 Chen D7/332

* cited by examiner

Primary Examiner—Ruth McInroy

(74) *Attorney, Agent, or Firm*—Olson & Cepuritis, Ltd.

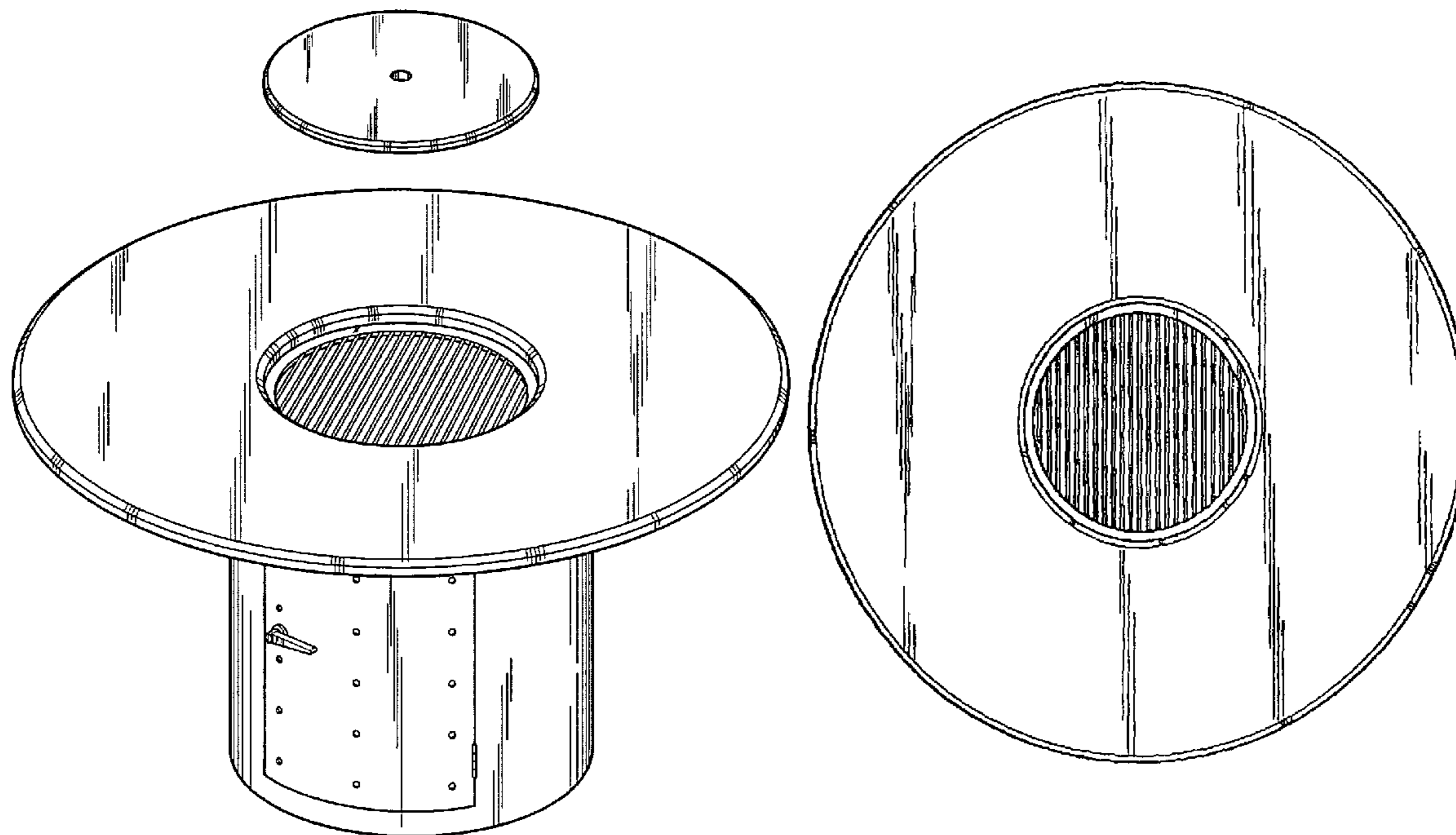
(57) **CLAIM**

The ornamental design for a combined barbeque table and grill, as shown and described.

DESCRIPTION

FIG. 1 is a front perspective view of a combined barbeque table and grill showing my new design with the lid removed; FIG. 2 is a top plan view thereof; FIG. 3 is a rear elevation view thereof; FIG. 4 is a top plan view thereof, with the lid in place; and, FIG. 5 is a front elevation view thereof.

1 Claim, 3 Drawing Sheets



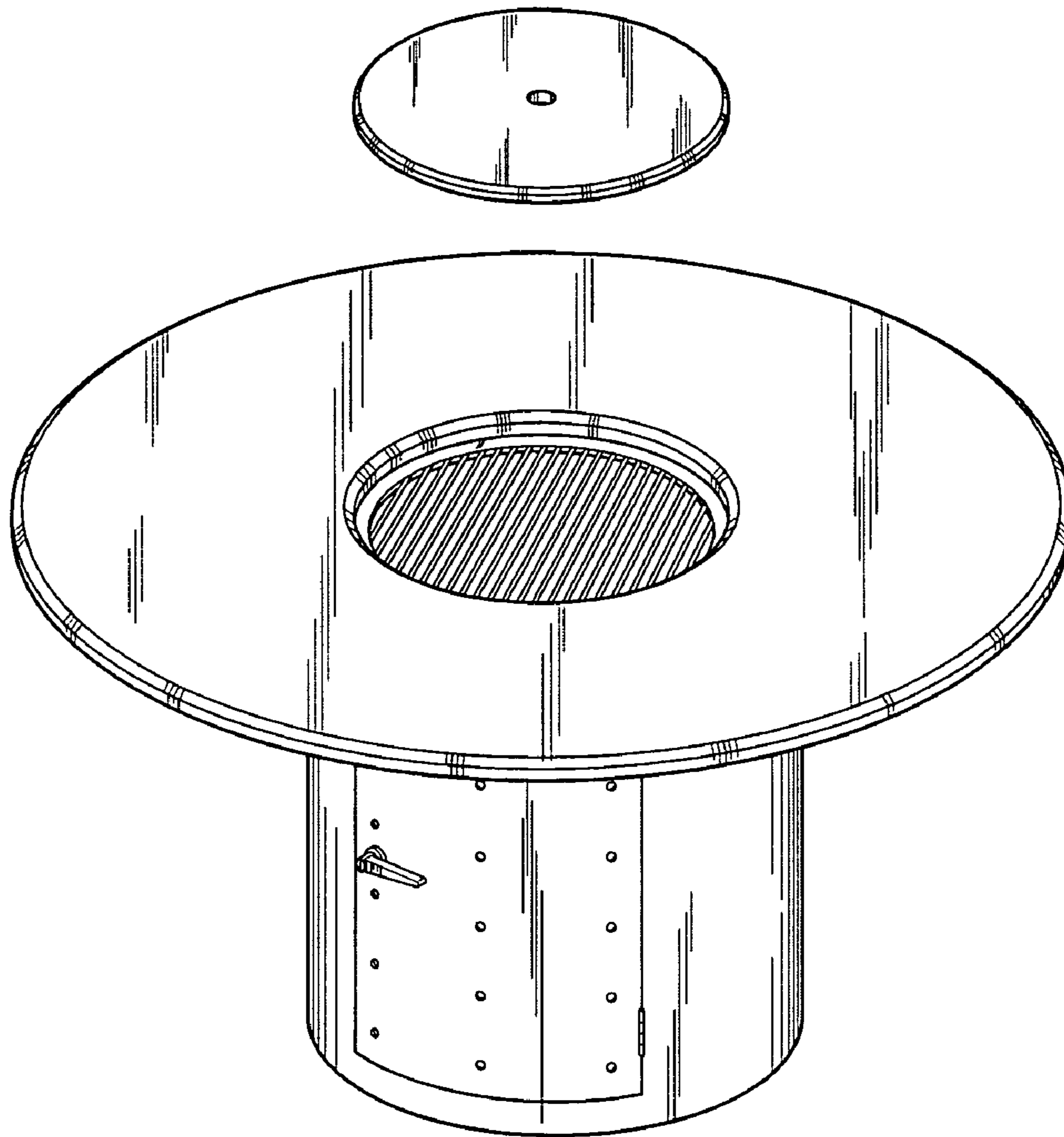


Fig 1

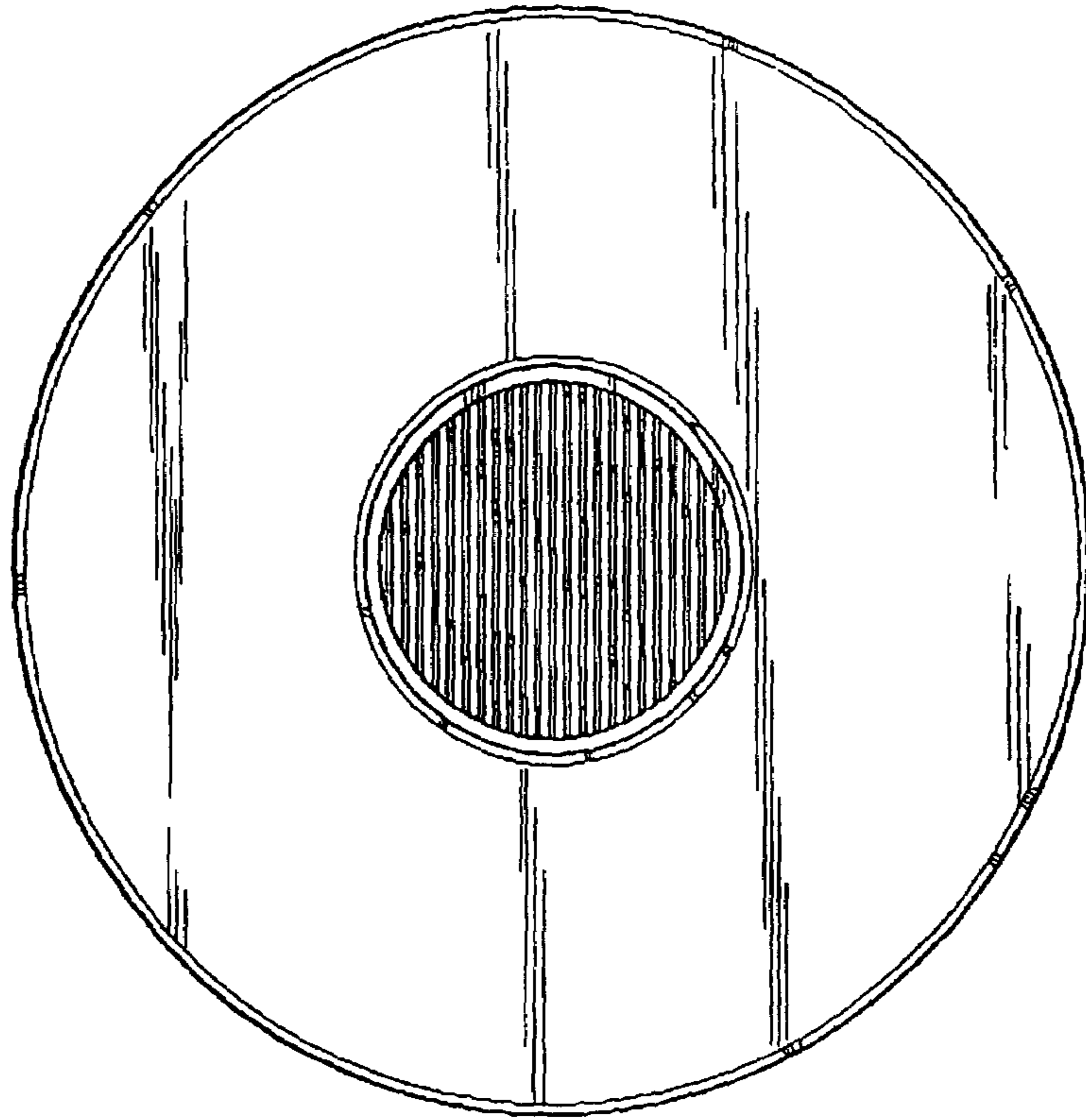


Fig 2

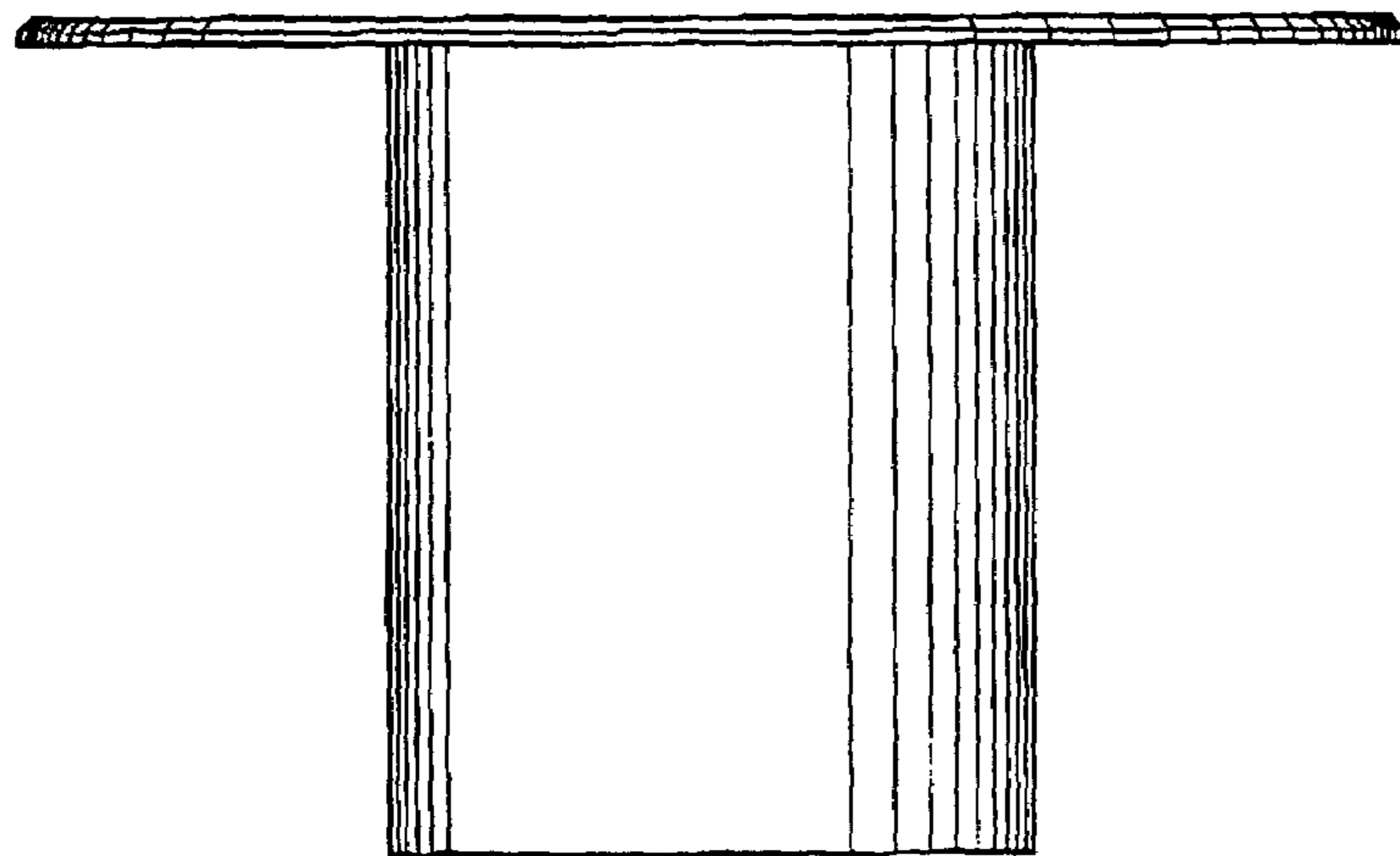


Fig 3

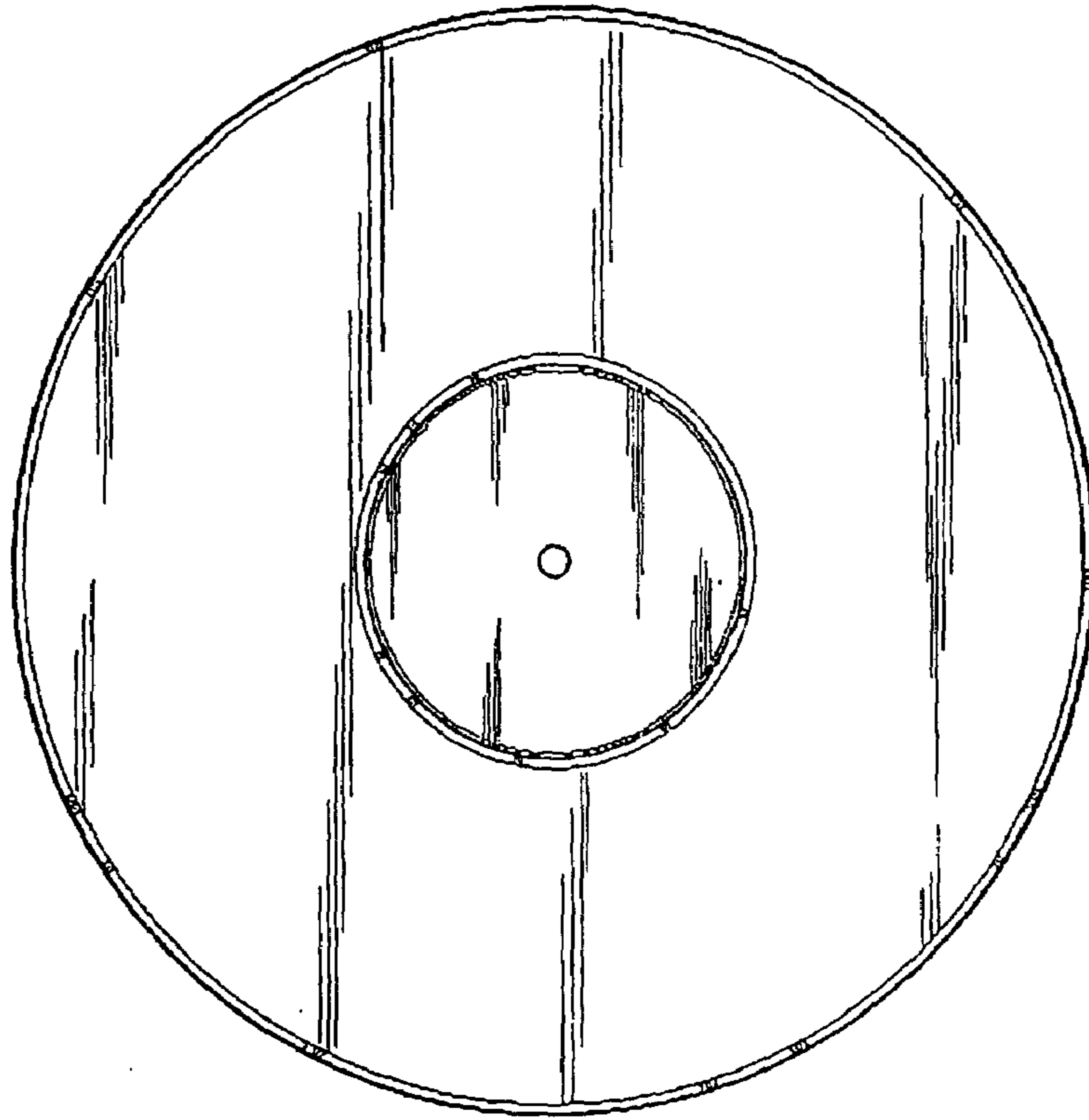


Fig 4

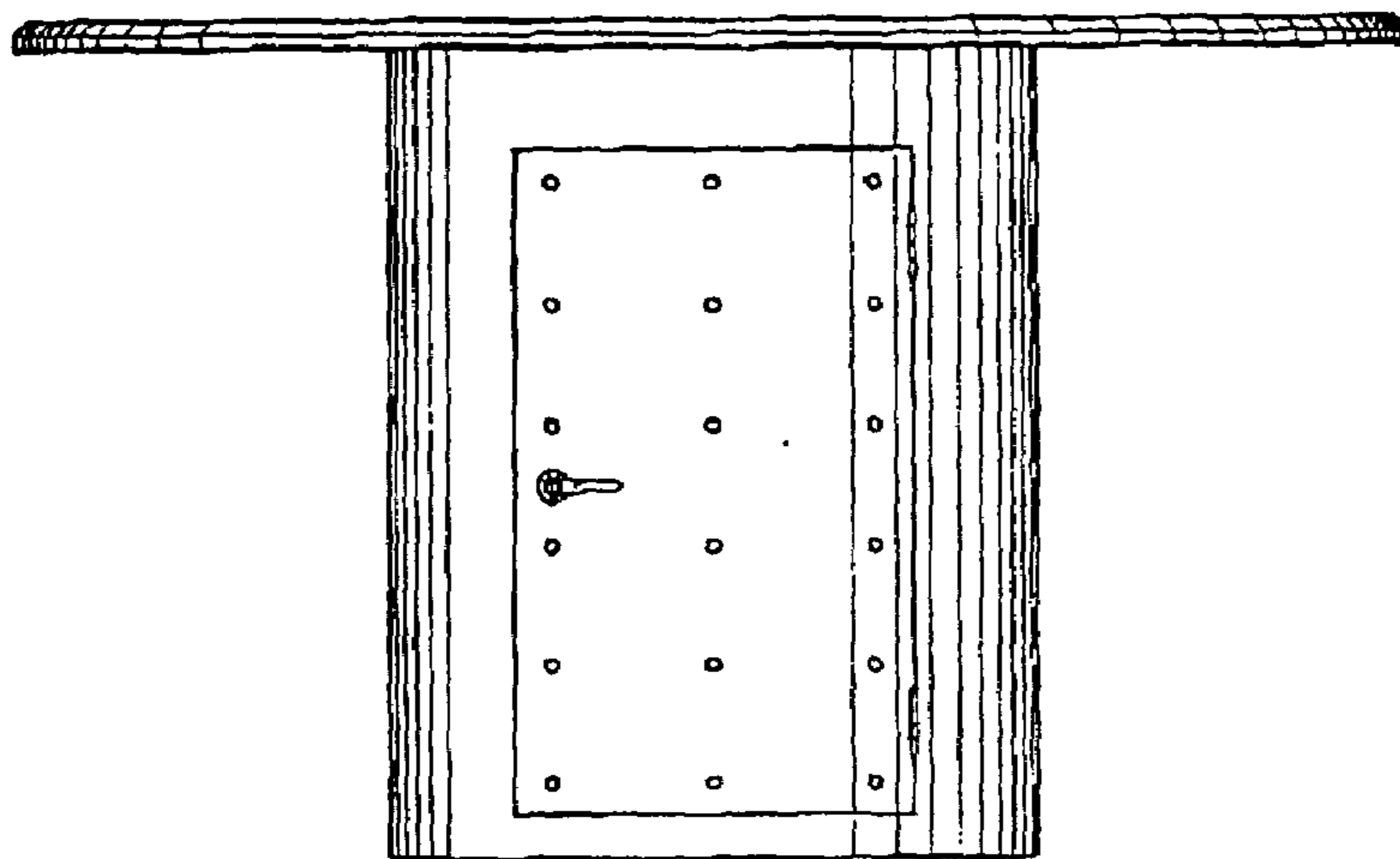


Fig 5