

US00D590200S

(12) **United States Design Patent**
Mullen

(10) **Patent No.:** **US D590,200 S**

(45) **Date of Patent:** **** Apr. 14, 2009**

(54) **TOASTER**

(75) Inventor: **Darren Mullen**, Hampshire (GB)

(73) Assignee: **Kenwood Limited** (GB)

(**) Term: **14 Years**

(21) Appl. No.: **29/320,012**

(22) Filed: **Jun. 18, 2008**

(30) **Foreign Application Priority Data**

Jun. 5, 2008 (EM) 000946884

(51) **LOC (9) Cl.** **07-02**

(52) **U.S. Cl.** **D7/330**

(58) **Field of Classification Search** D7/323,
D7/328-333, 340-341, 346, 354-365, 367,
D7/385, 390, 402, 405-411; D13/158, 162,
D13/162.1, 163; 99/331-332, 357, 375,
99/385; 219/214, 388, 405, 443.1, 450.1,
219/492, 532

See application file for complete search history.

(56) **References Cited**

U.S. PATENT DOCUMENTS

D450,975 S * 11/2001 Aeschbacher D7/330
D489,565 S * 5/2004 Averty D7/330
D505,585 S * 5/2005 MacWilliam D7/330

D506,348 S * 6/2005 Josancy D7/330
D524,591 S * 7/2006 Averty D7/330
D525,473 S * 7/2006 Brown D7/330
D525,817 S * 8/2006 Brown D7/330
D547,591 S * 7/2007 De'Longhi D7/330

* cited by examiner

Primary Examiner—Caron Veynar

Assistant Examiner—Ricky Pham

(74) *Attorney, Agent, or Firm*—Fleit Gibbons Gutman
Bongini & Bianco PL; Paul D. Bianco; Martin Fleit

(57) **CLAIM**

The ornamental design for a toaster, as shown and described.

DESCRIPTION

FIG. 1 is a perspective view from above with slot width minimized;

FIG. 2 is a perspective view from above with slot width maximized;

FIG. 3 is a front elevation;

FIG. 4 is a rear elevation;

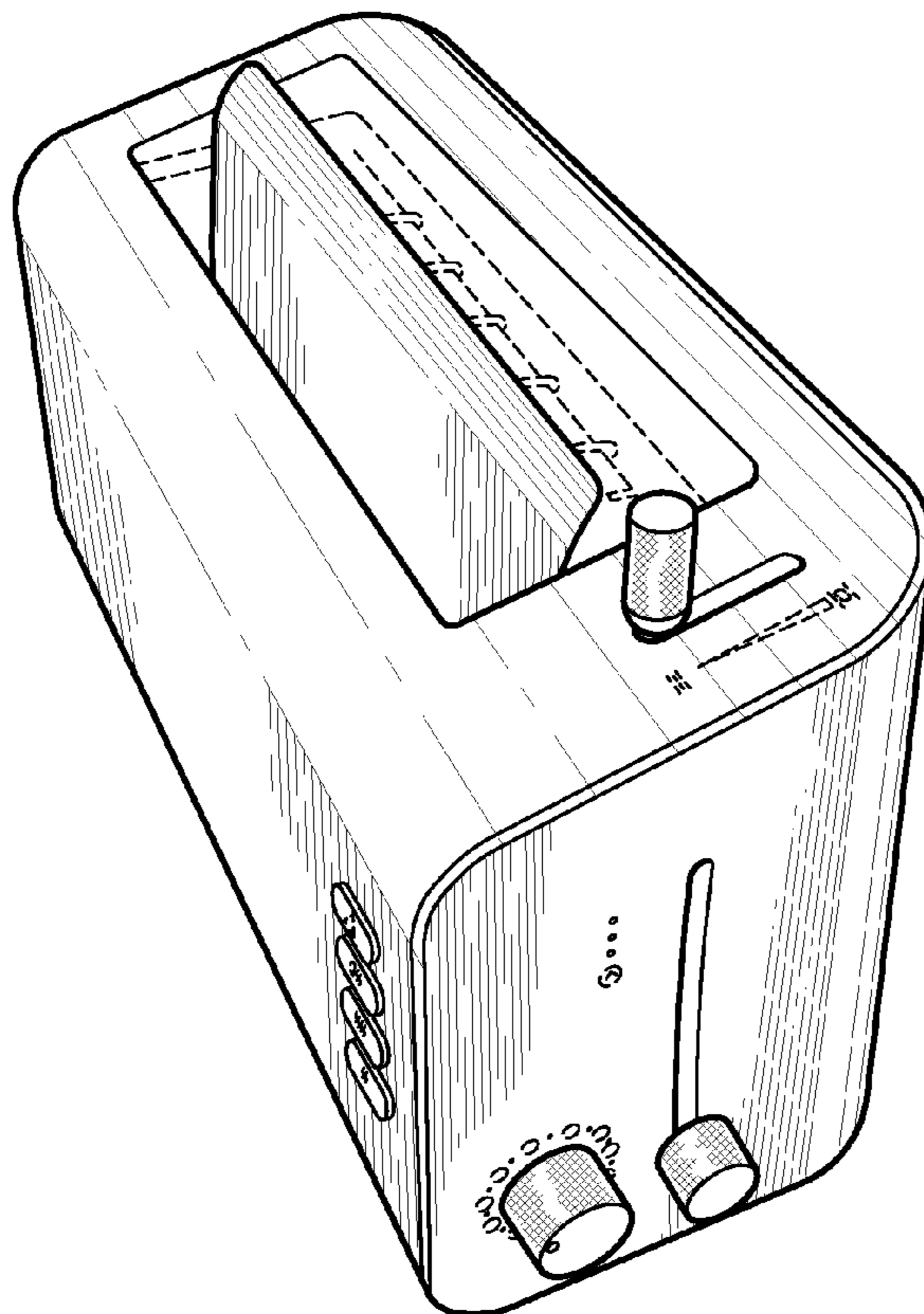
FIG. 5 is an elevation from a first side;

FIG. 6 is an elevation from a second side;

FIG. 7 is a top plan view with slot width maximized; and,

FIG. 8 is a bottom view.

1 Claim, 8 Drawing Sheets



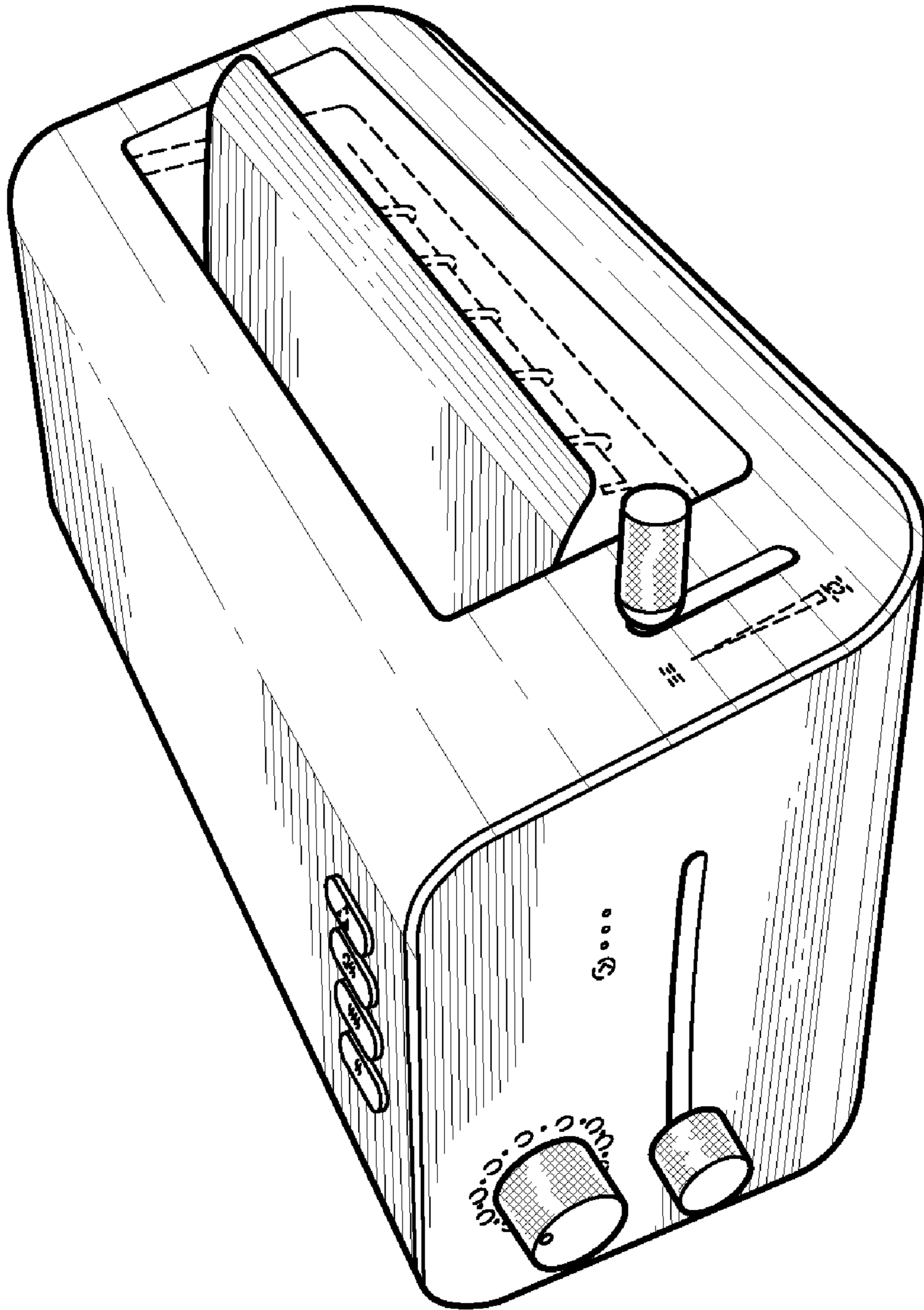


FIG. 1

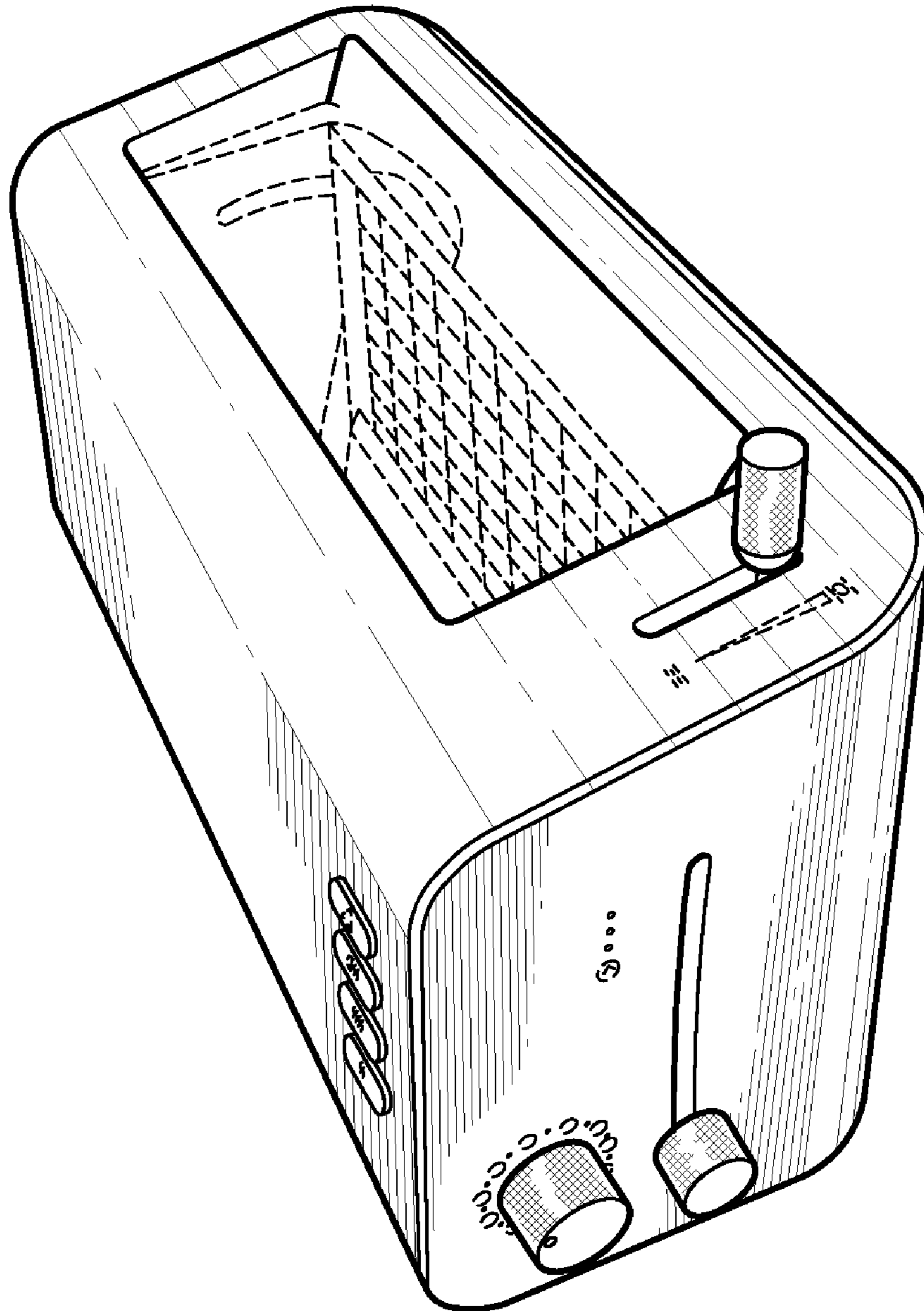


FIG. 2

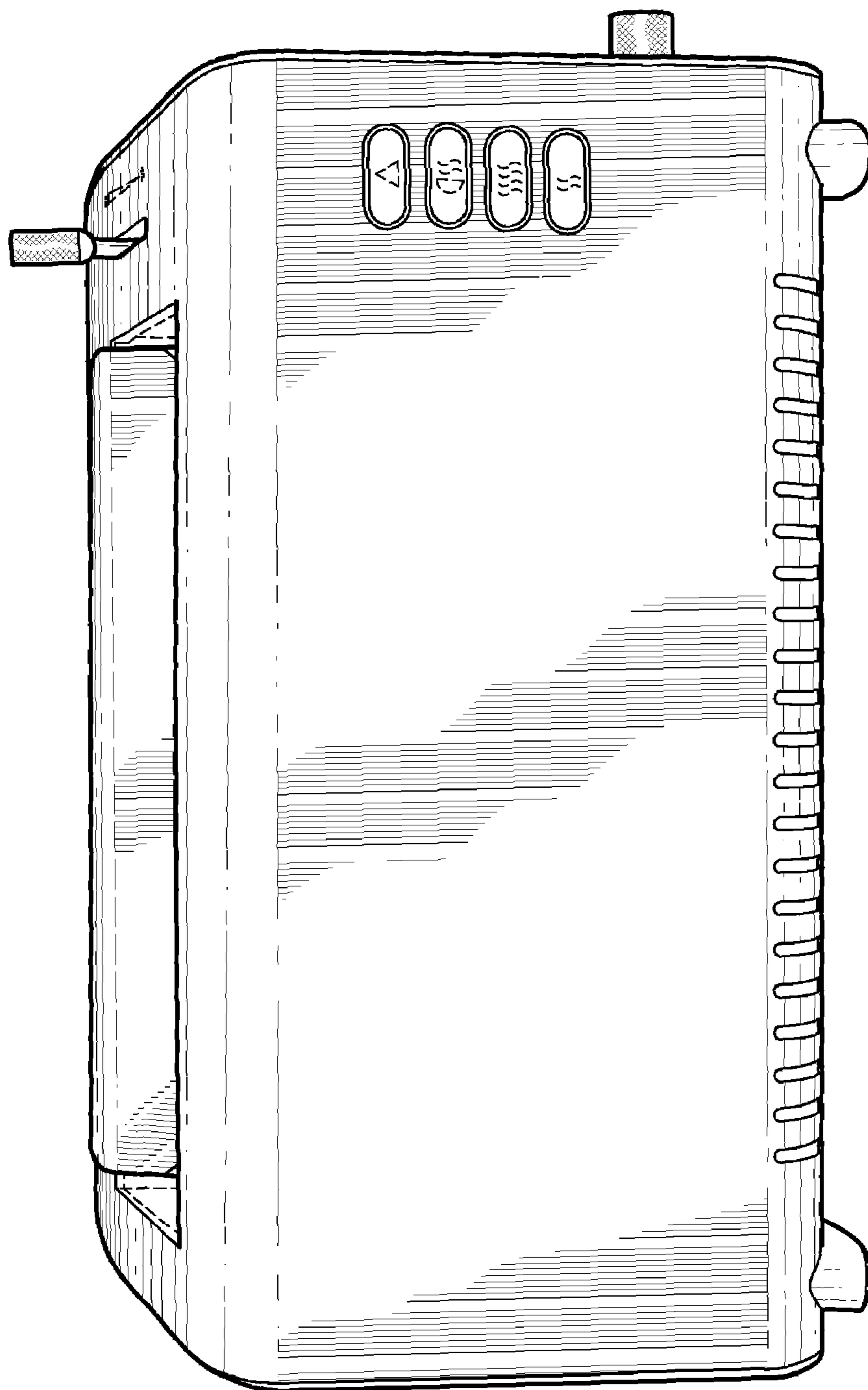


FIG. 3

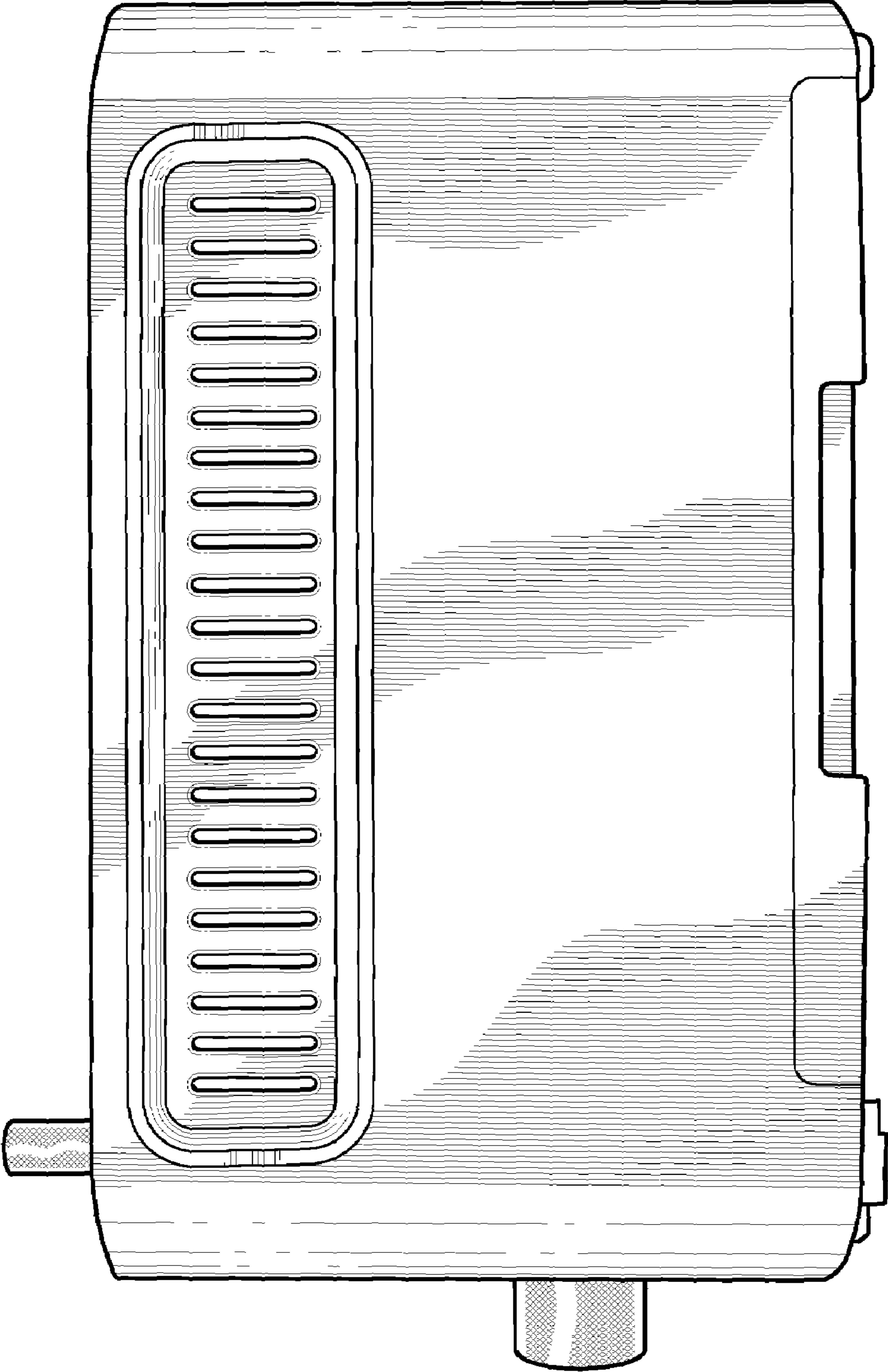


FIG. 4

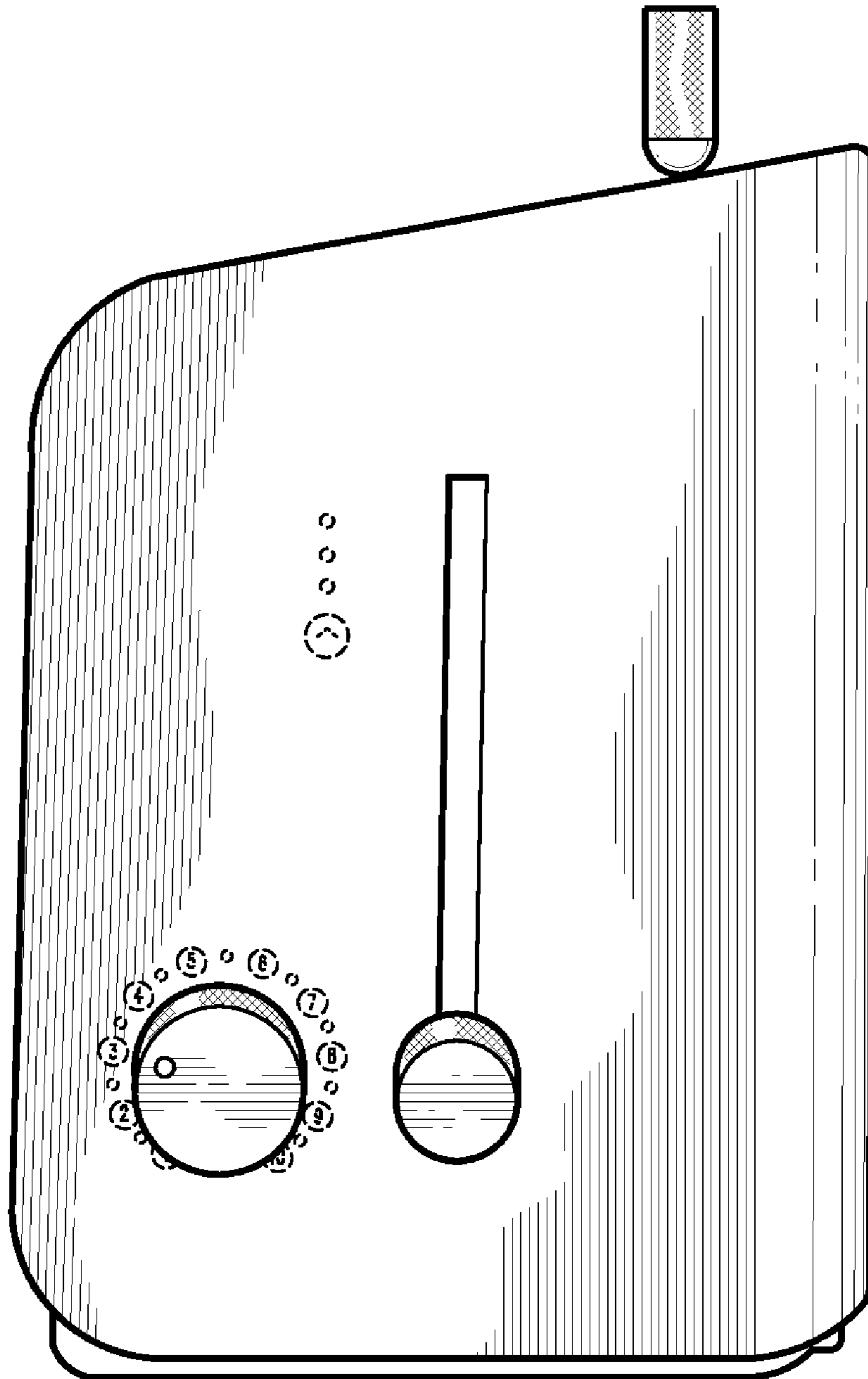


FIG. 5

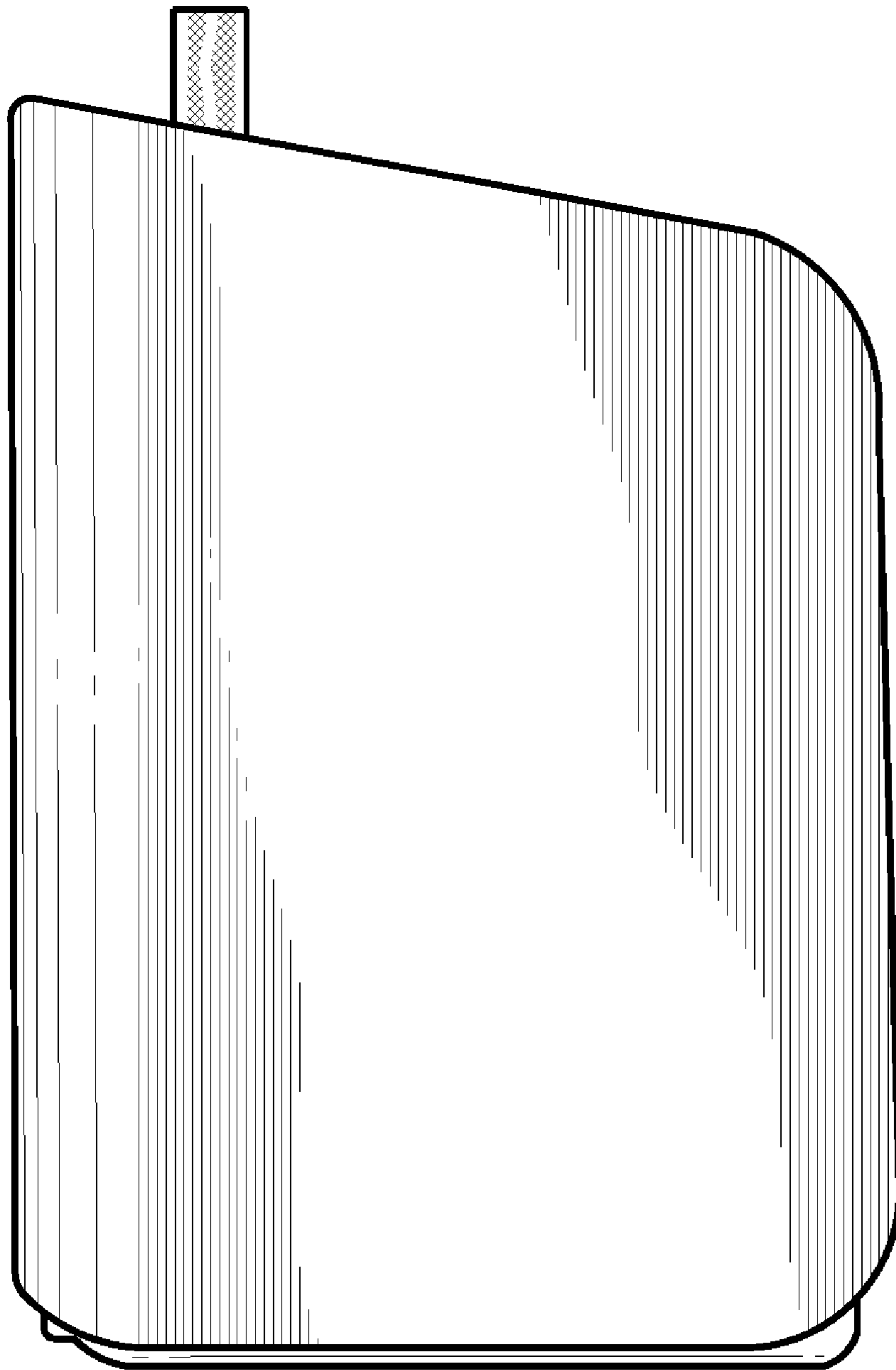


FIG. 6

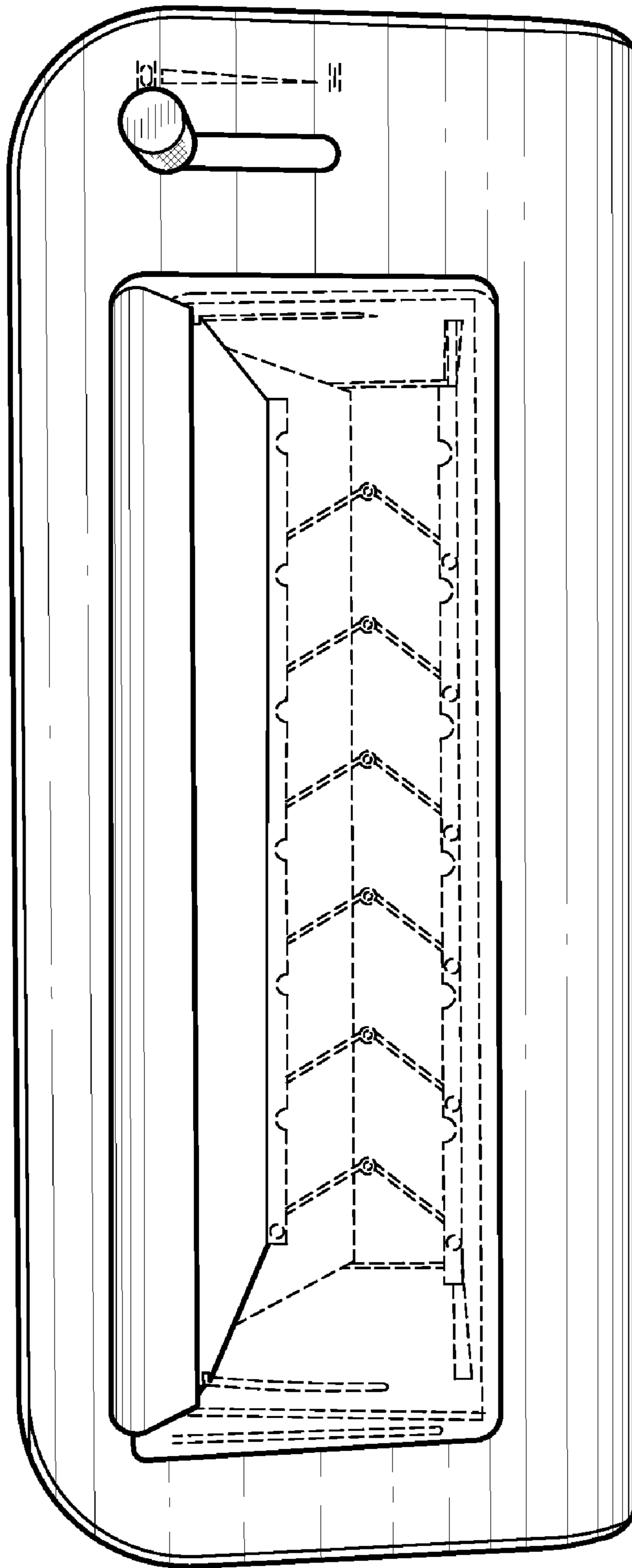


FIG. 7

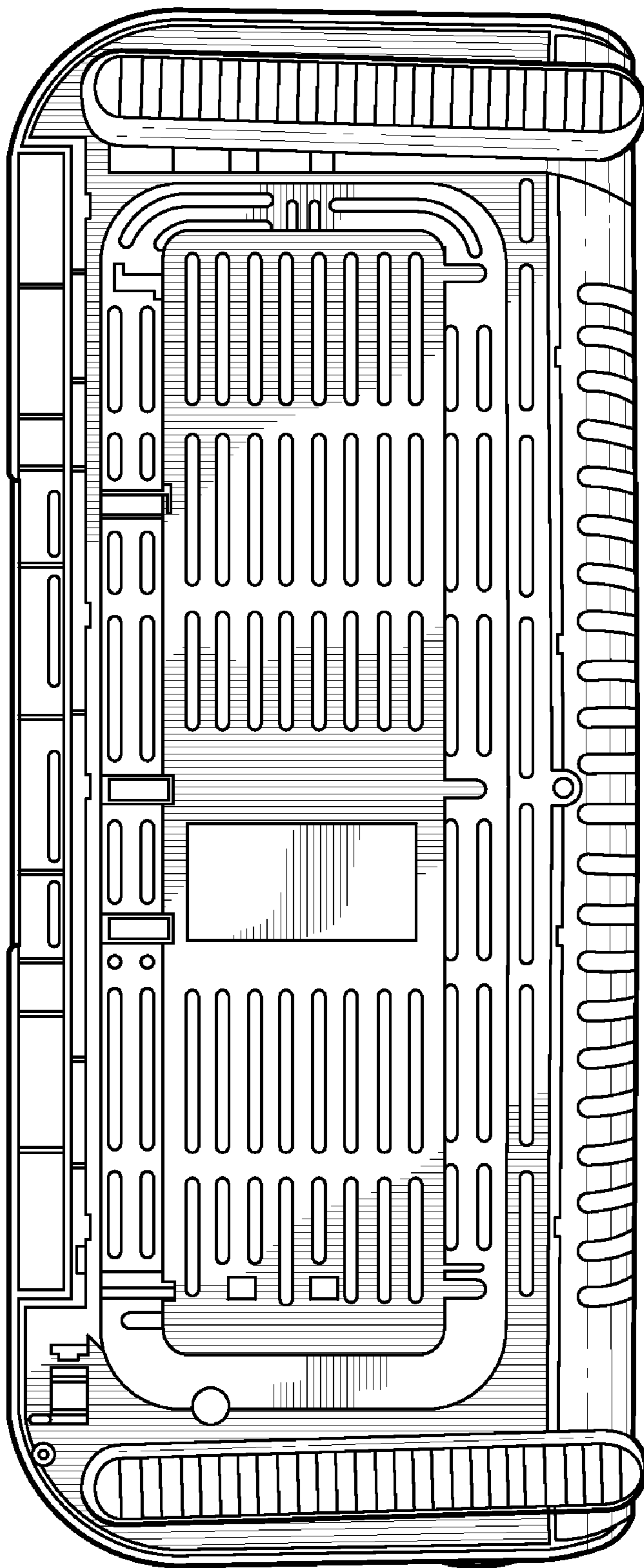


FIG. 8