

US00D590193S

(12) **United States Design Patent**  
**Held**

(10) **Patent No.:** **US D590,193 S**

(45) **Date of Patent:** **\*\* Apr. 14, 2009**

(54) **FITTING FOR FURNITURE**

(75) Inventor: **Wolfgang Held**, Hard (AT)

(73) Assignee: **Julius Blum GmbH**, Höchst (AT)

(\*\*) Term: **14 Years**

(21) Appl. No.: **29/290,170**

(22) Filed: **Oct. 26, 2007**

(30) **Foreign Application Priority Data**

May 3, 2007 (EM) ..... 000717137-0001

(51) **LOC (9) Cl.** ..... **06-01**

(52) **U.S. Cl.** ..... **D6/501**

(58) **Field of Classification Search** ..... D6/334-336,  
D6/356, 366, 367, 368, 375, 376, 379, 380,  
D6/491, 500-502; 297/411.2, 411.23, 411.26,  
297/411.3, 411.35, 411.36, 411.38, 463.1,  
297/463.2

See application file for complete search history.

(56) **References Cited**

**U.S. PATENT DOCUMENTS**

D296,094 S \* 6/1988 Sheek ..... D6/500  
D313,963 S \* 1/1991 Gunnarsson et al. .... D6/501  
D343,537 S \* 1/1994 Harde ..... D6/501

D358,956 S \* 6/1995 Mitjans ..... D6/501  
D376,060 S \* 12/1996 Cohen ..... D6/501  
D376,431 S \* 12/1996 Roach ..... D6/501  
5,823,624 A \* 10/1998 Dahlbacka ..... 297/411.36  
D534,005 S \* 12/2006 Beermann ..... D6/356  
D543,737 S \* 6/2007 Held ..... D6/500  
D557,949 S \* 12/2007 Moorhouse et al. .... D6/501

\* cited by examiner

*Primary Examiner*—Mimosa De

(74) *Attorney, Agent, or Firm*—Wenderoth, Lind & Ponack,  
L.L.P.

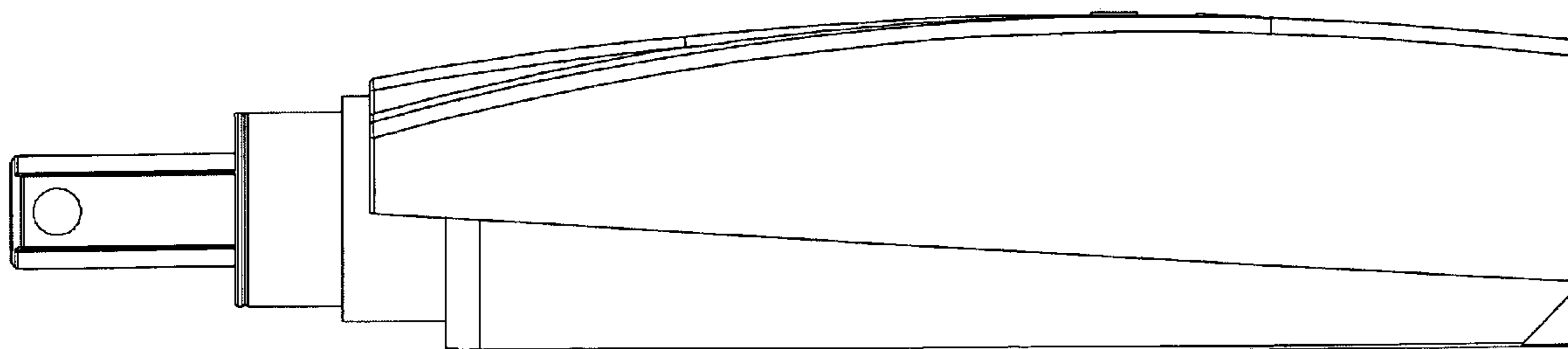
(57) **CLAIM**

The ornamental design for a fitting for furniture, as shown and described.

**DESCRIPTION**

FIG. 1 is a right side view of a fitting for furniture;  
FIG. 2 is a left side view of the fitting for furniture;  
FIG. 3 is a front view of the fitting for furniture;  
FIG. 4 is a back view of the fitting for furniture;  
FIG. 5 is a bottom view of the fitting for furniture;  
FIG. 6 is a top view of the fitting for furniture; and,  
FIG. 7 is a perspective view of the fitting furniture of FIG. 1.

**1 Claim, 3 Drawing Sheets**



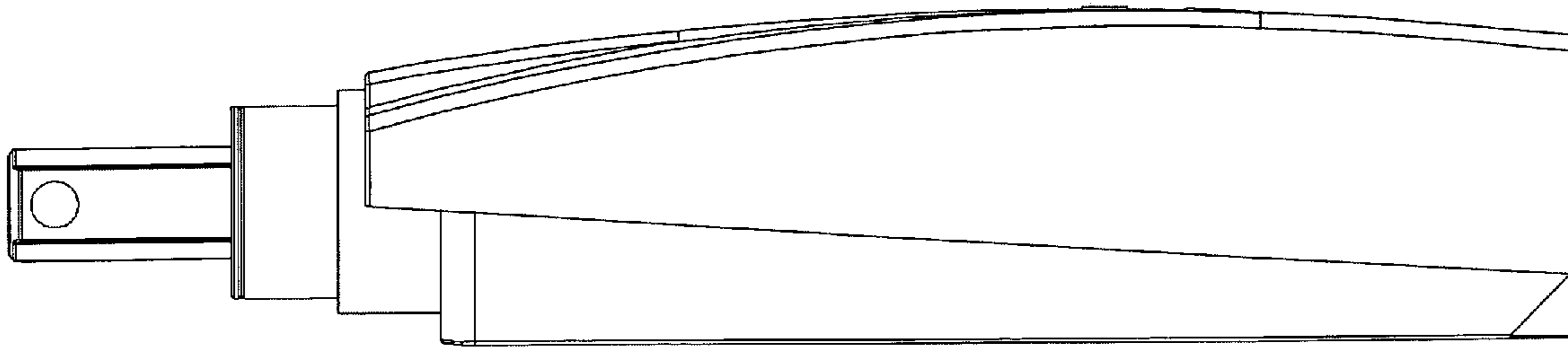


Fig. 1

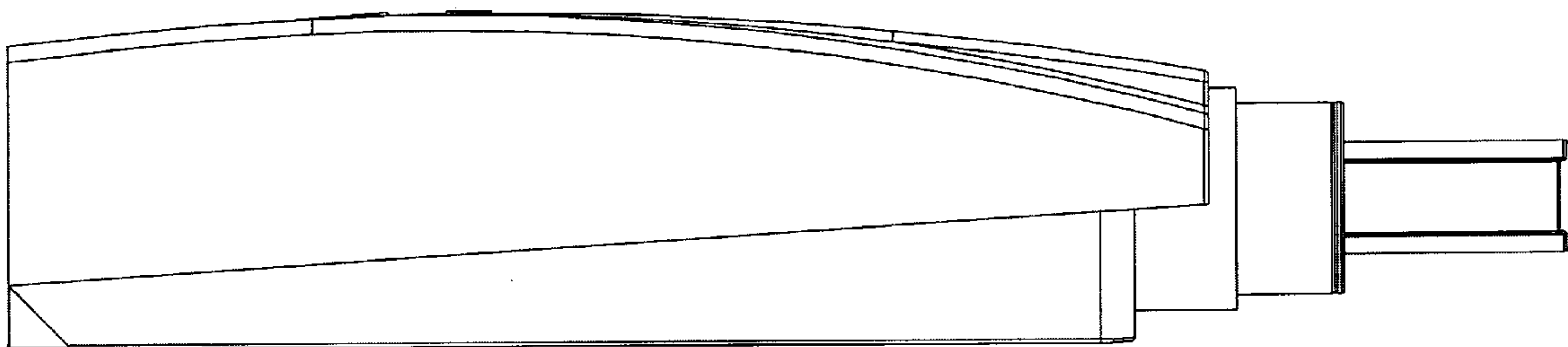


Fig. 2

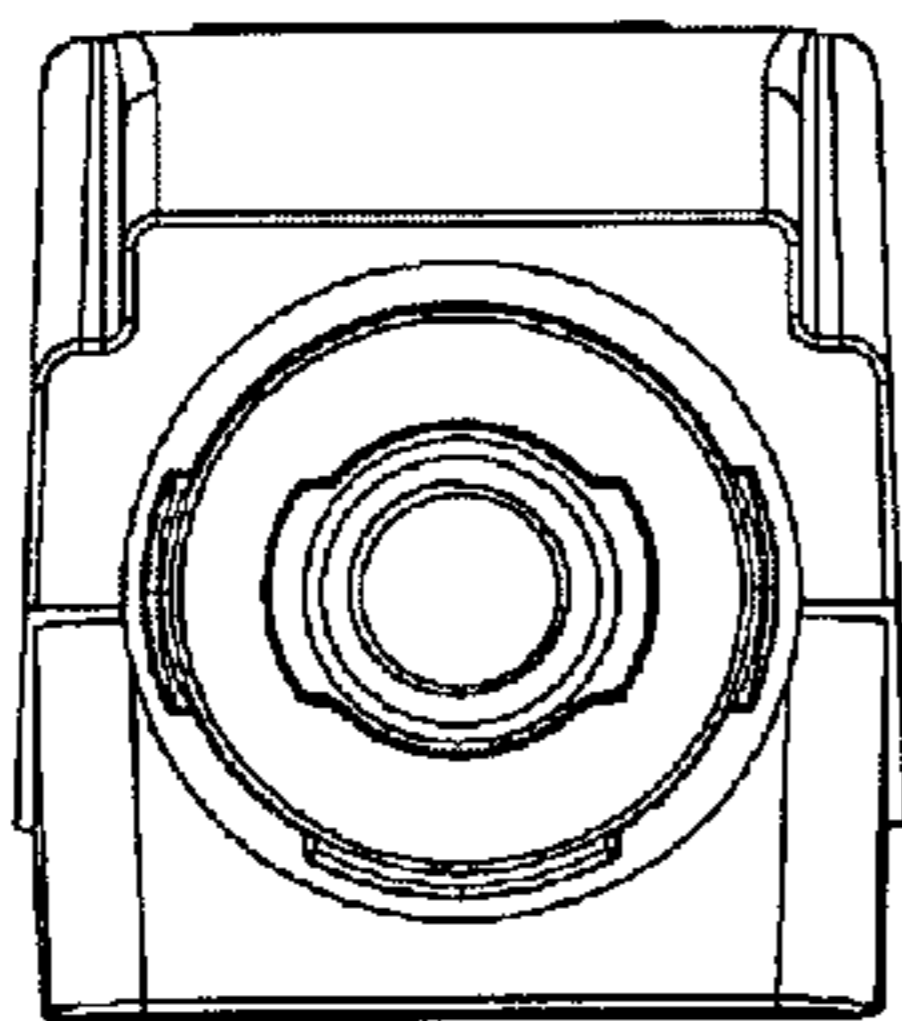


Fig. 3

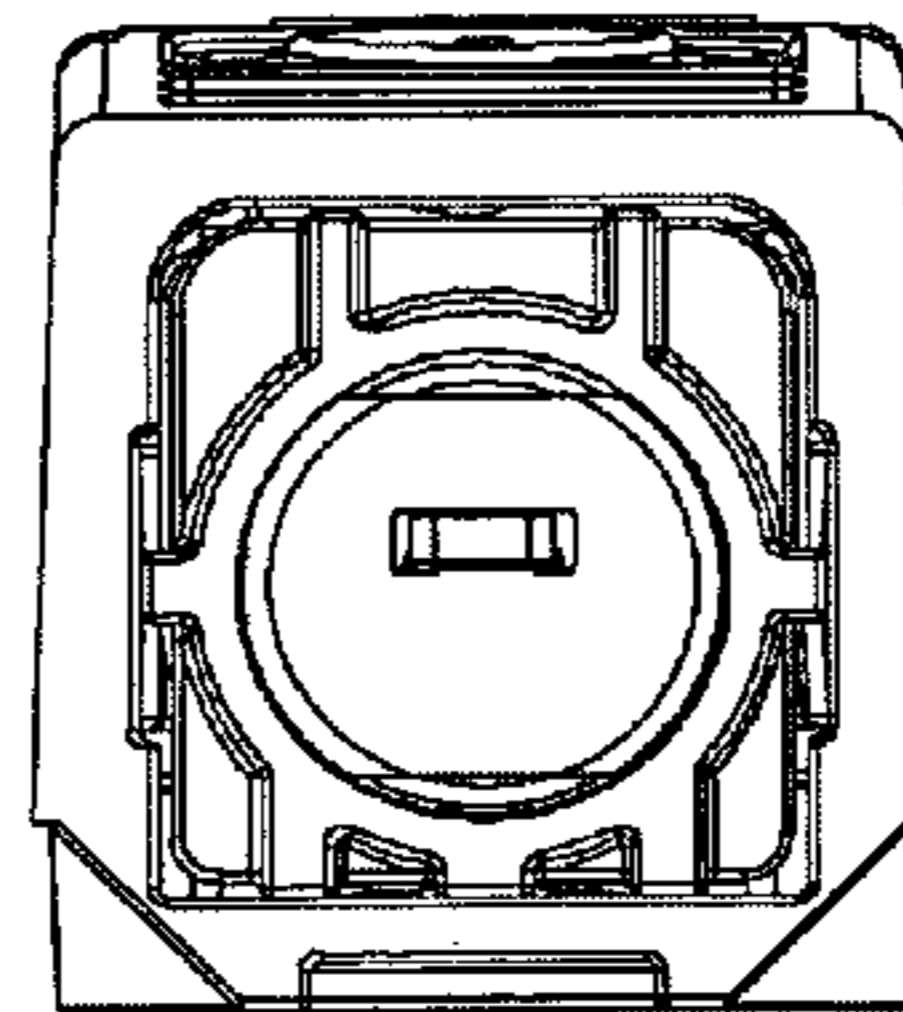


Fig. 4

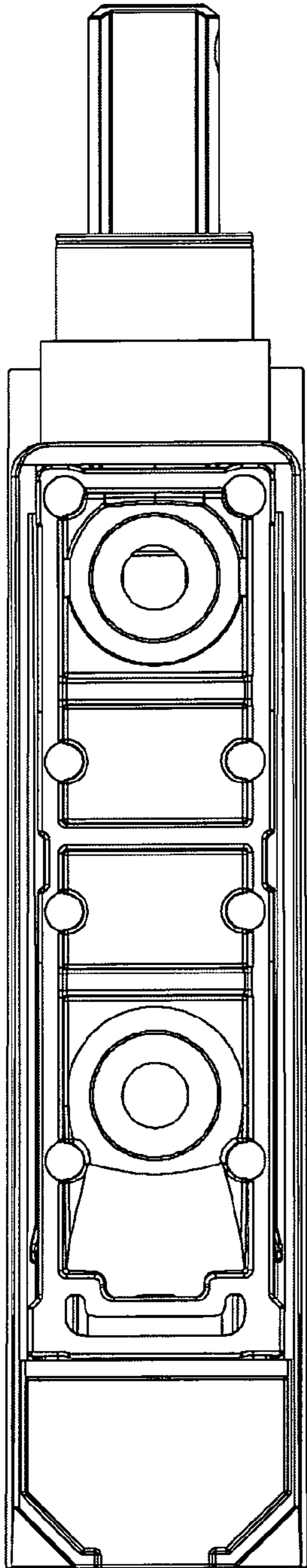


Fig. 5

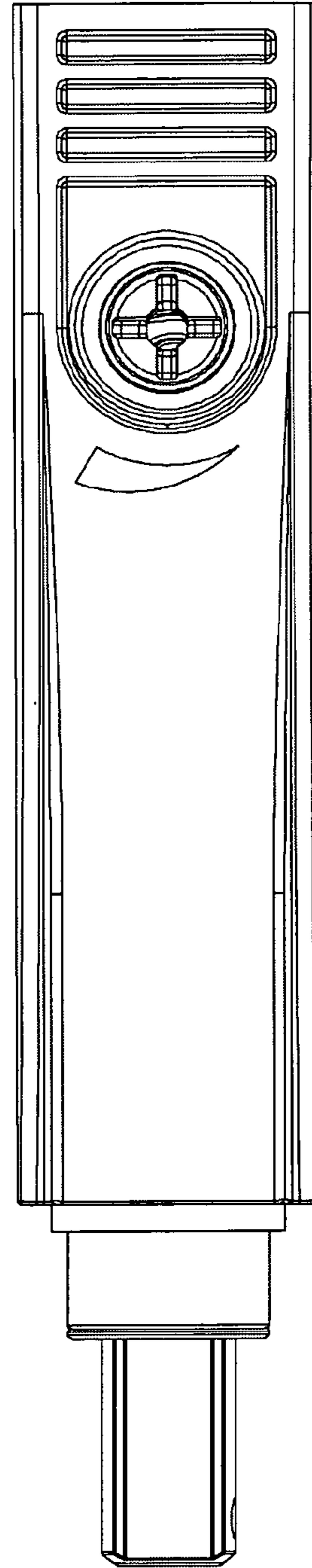


Fig. 6

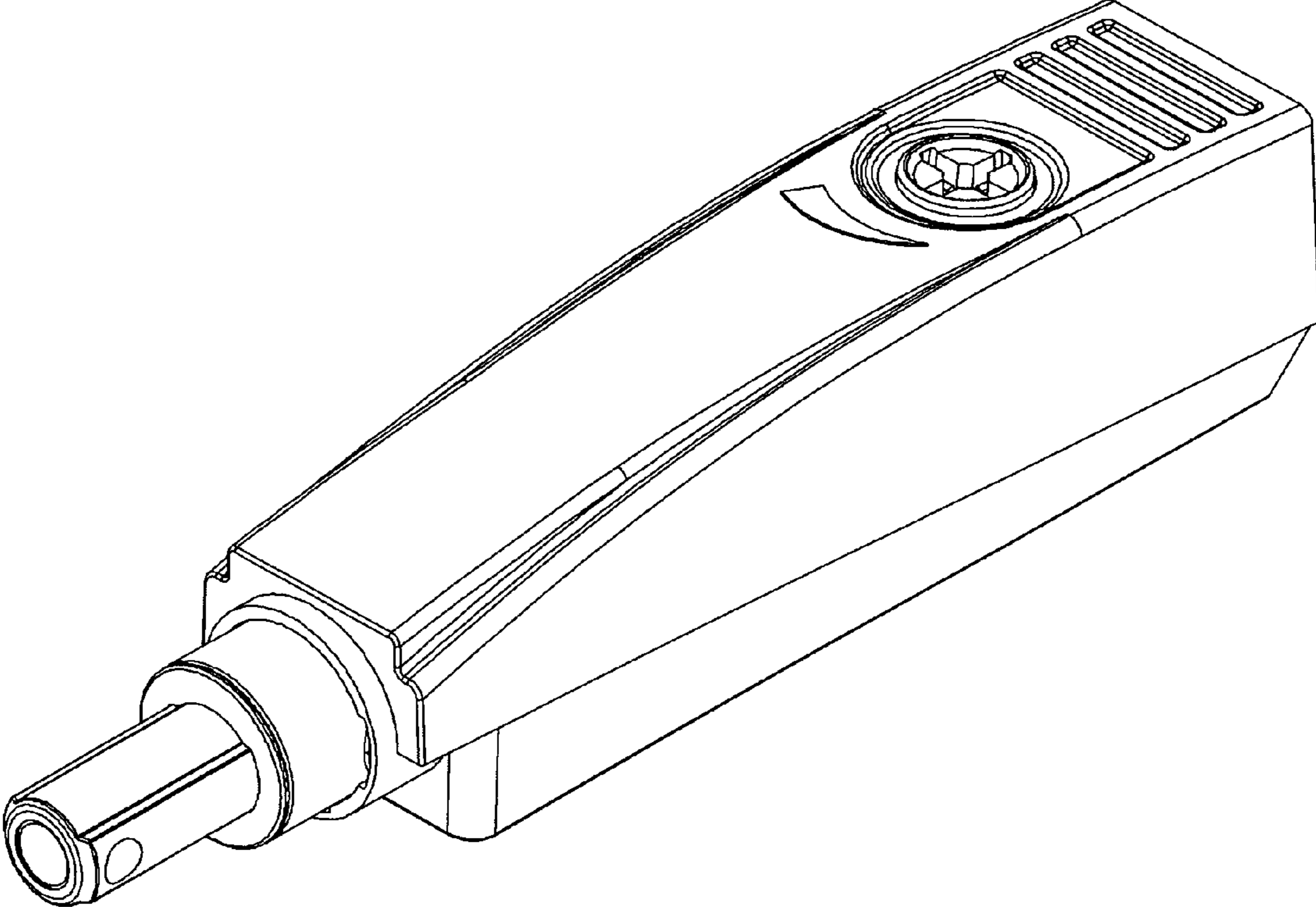


Fig. 7