



US00D590192S

(12) **United States Design Patent**
Rafferty et al.

(10) **Patent No.:** **US D590,192 S**
(45) **Date of Patent:** **** Apr. 14, 2009**

(54) **ELASTIC CHAIR**

D448,184 S * 9/2001 Hoisl D6/368
D543,397 S * 5/2007 Loew et al. D6/502

(75) Inventors: **William Rafferty**, Canton, OH (US);
Derek Perkins, Provo, UT (US)

OTHER PUBLICATIONS

Applicant's product catalog 2006.

(73) Assignee: **Seatability, LLC**, Provo, UT (US)

* cited by examiner

(**) Term: **14 Years**

Primary Examiner—Mimosa De

(21) Appl. No.: **29/318,661**

(74) *Attorney, Agent, or Firm*—Bateman IP Law Group

(22) Filed: **May 23, 2008**

(57) **CLAIM**

(51) **LOC (9) Cl.** **06-01**

The ornamental design for a elastic chair, as shown and described.

(52) **U.S. Cl.** **D6/500; D6/366; D6/370**

(58) **Field of Classification Search** D6/334–336,
D6/360, 364, 365, 366, 367, 368, 369, 370,
D6/374, 376, 379, 380, 500–502; 297/411.2,
297/411.27, 411.36, 452.29, 300.1, 452.63
See application file for complete search history.

DESCRIPTION

FIG. 1 shows a perspective view of a elastic chair made in accordance with the design of the present invention;

(56) **References Cited**

U.S. PATENT DOCUMENTS

D102,045 S * 11/1936 Wexelblatt D6/370
D287,437 S * 12/1986 Frinier et al. D6/373
D381,536 S * 7/1997 Kane D6/500
D383,627 S * 9/1997 Kane D6/500
D385,442 S * 10/1997 Kane D6/500
D434,919 S * 12/2000 Tseng D6/370
D437,136 S * 2/2001 Tseng D6/370

FIG. 2 shows a front view of the elastic chair of FIG. 1;

FIG. 3 shows a back view of the elastic chair of FIG. 1;

FIG. 4 shows an left side view of the elastic chair of FIG. 1;

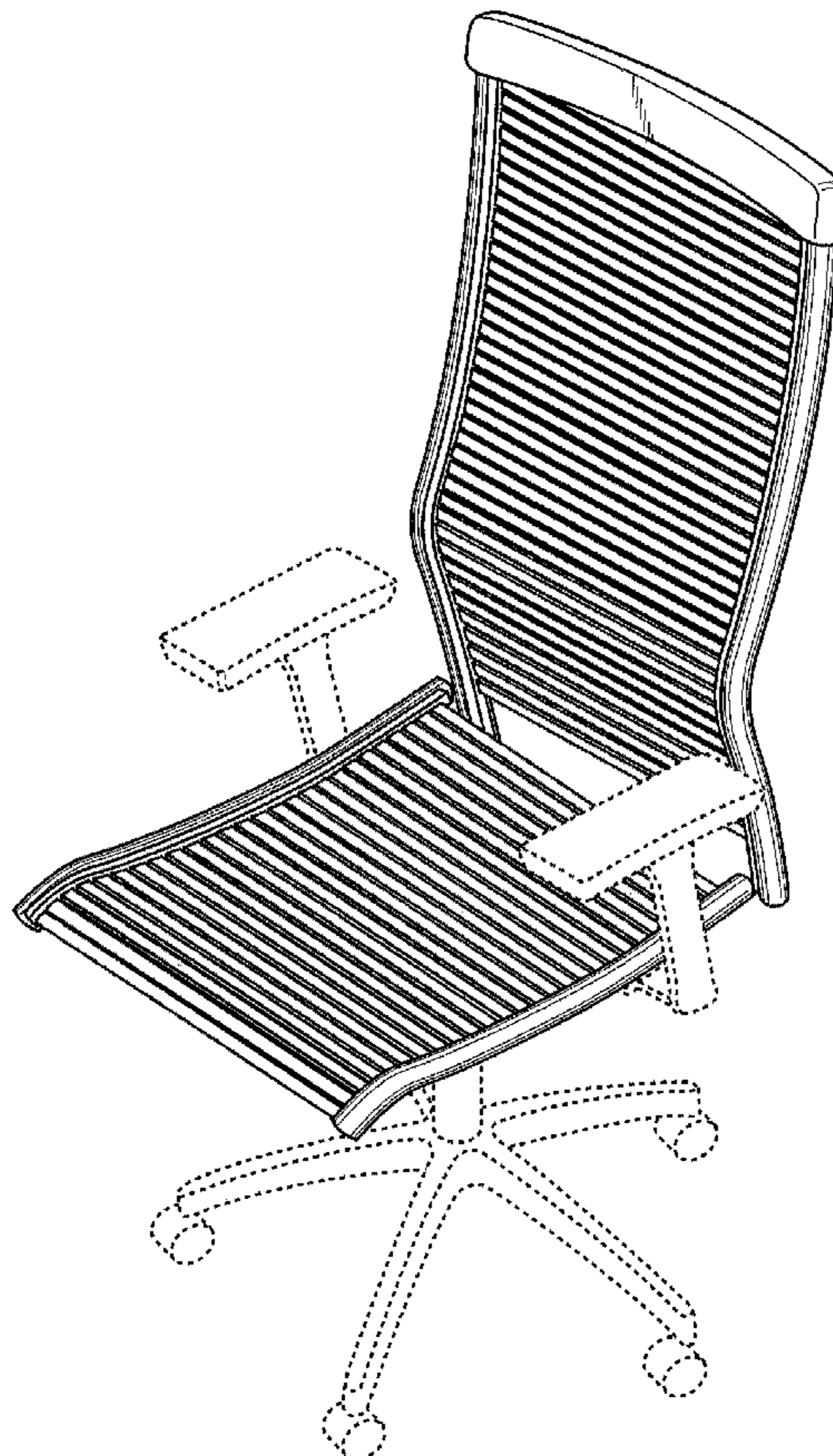
FIG. 5 shows an right side view of the elastic chair of FIG. 1;

FIG. 6 shows an top view of the elastic chair of FIG. 1;

FIG. 7 shows a bottom view of the elastic chair of FIG. 1; and,

FIG. 8 shows a close-up view of a portion of the chair rail, bracket and elastics of the elastic chair of FIG. 1.

1 Claim, 7 Drawing Sheets



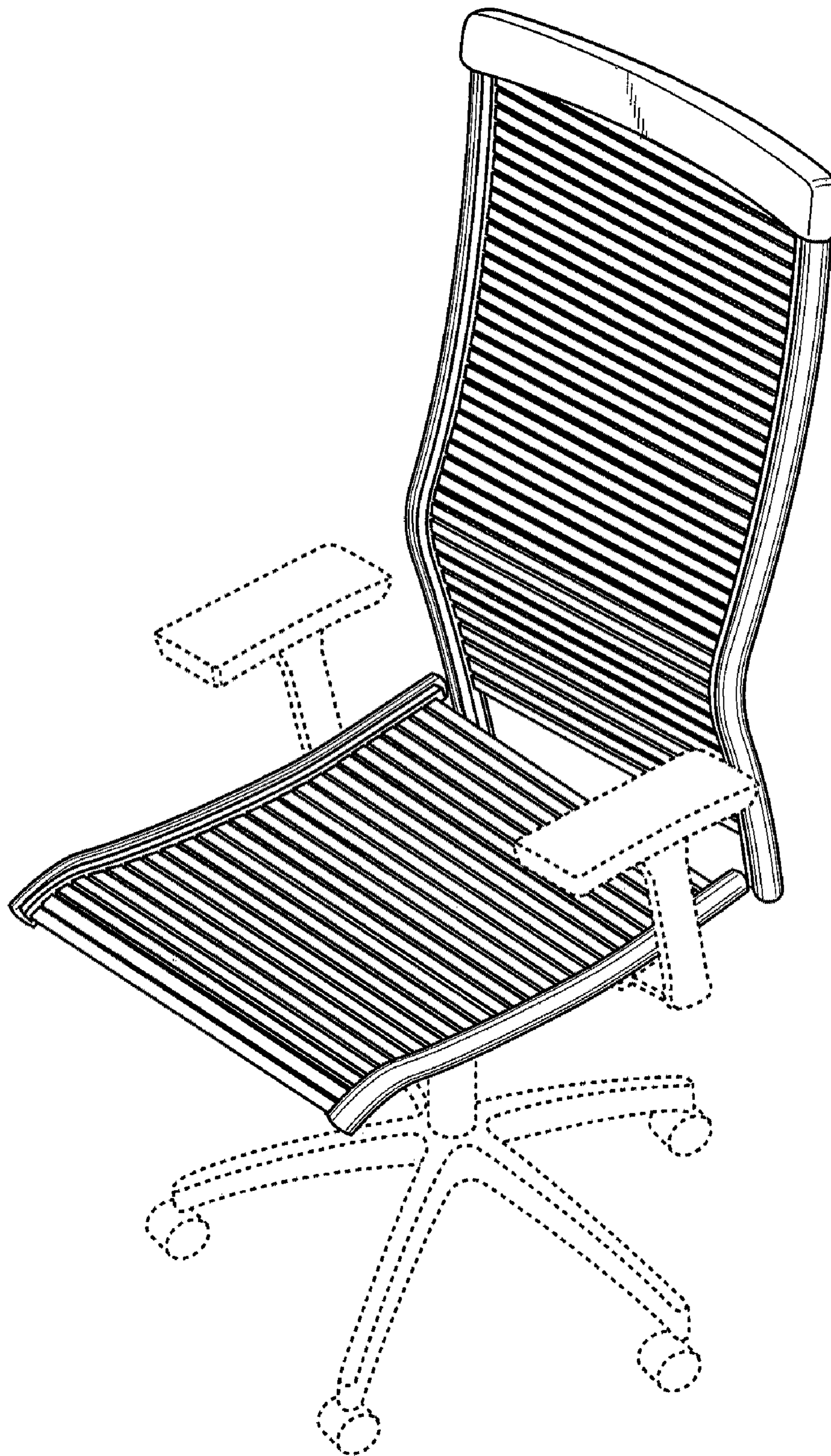


Fig. 1

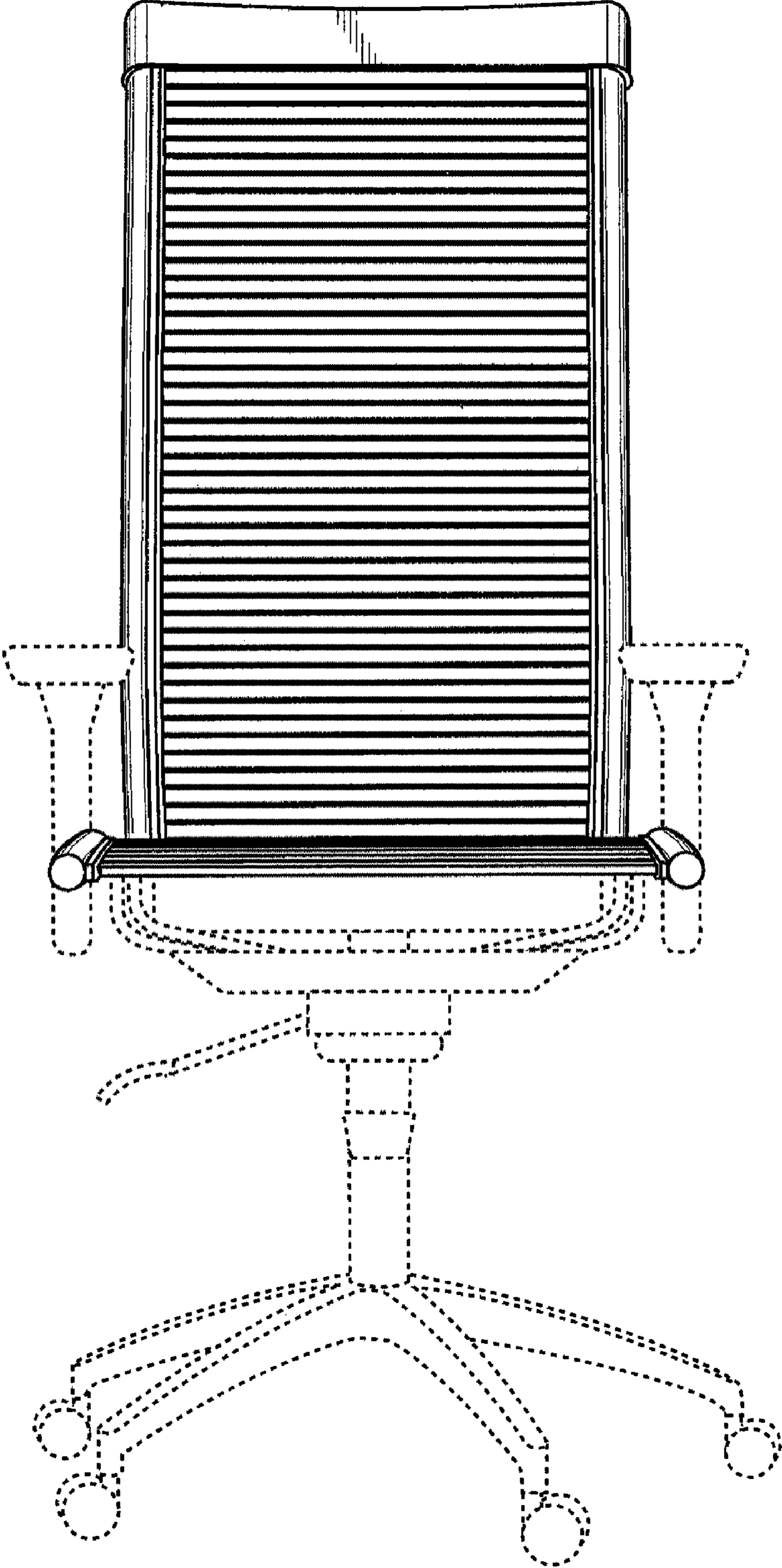


Fig. 2

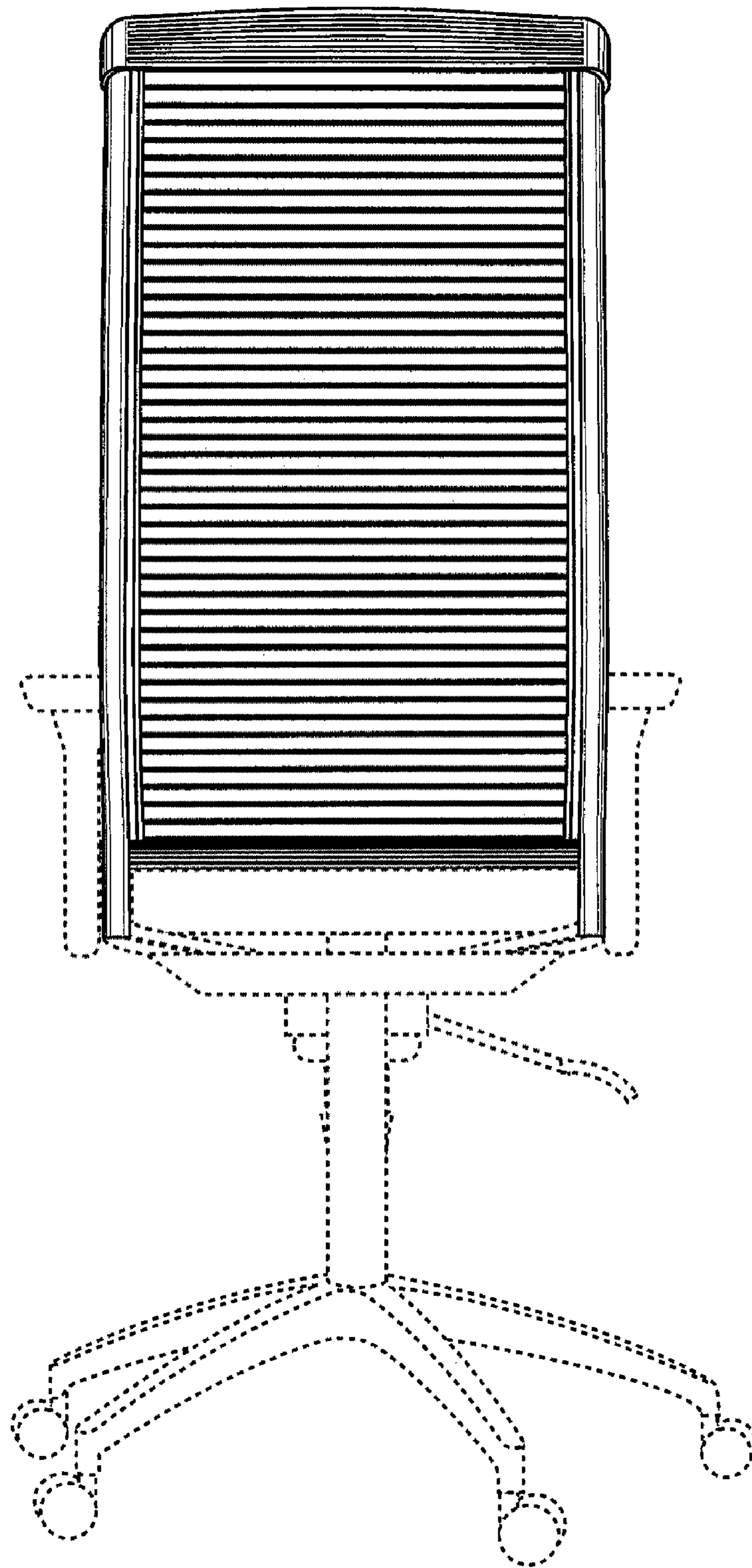


Fig. 3

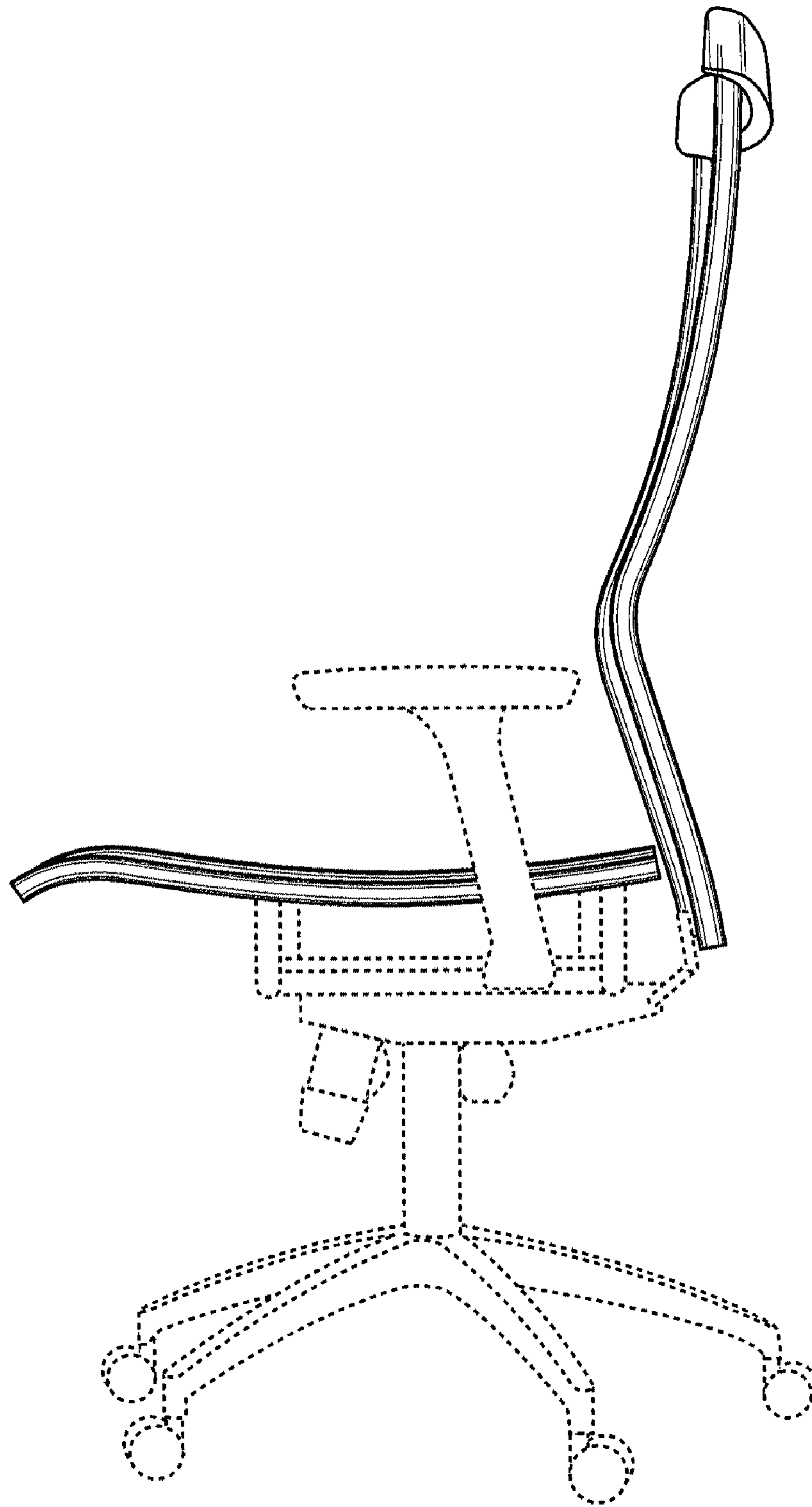


Fig. 4

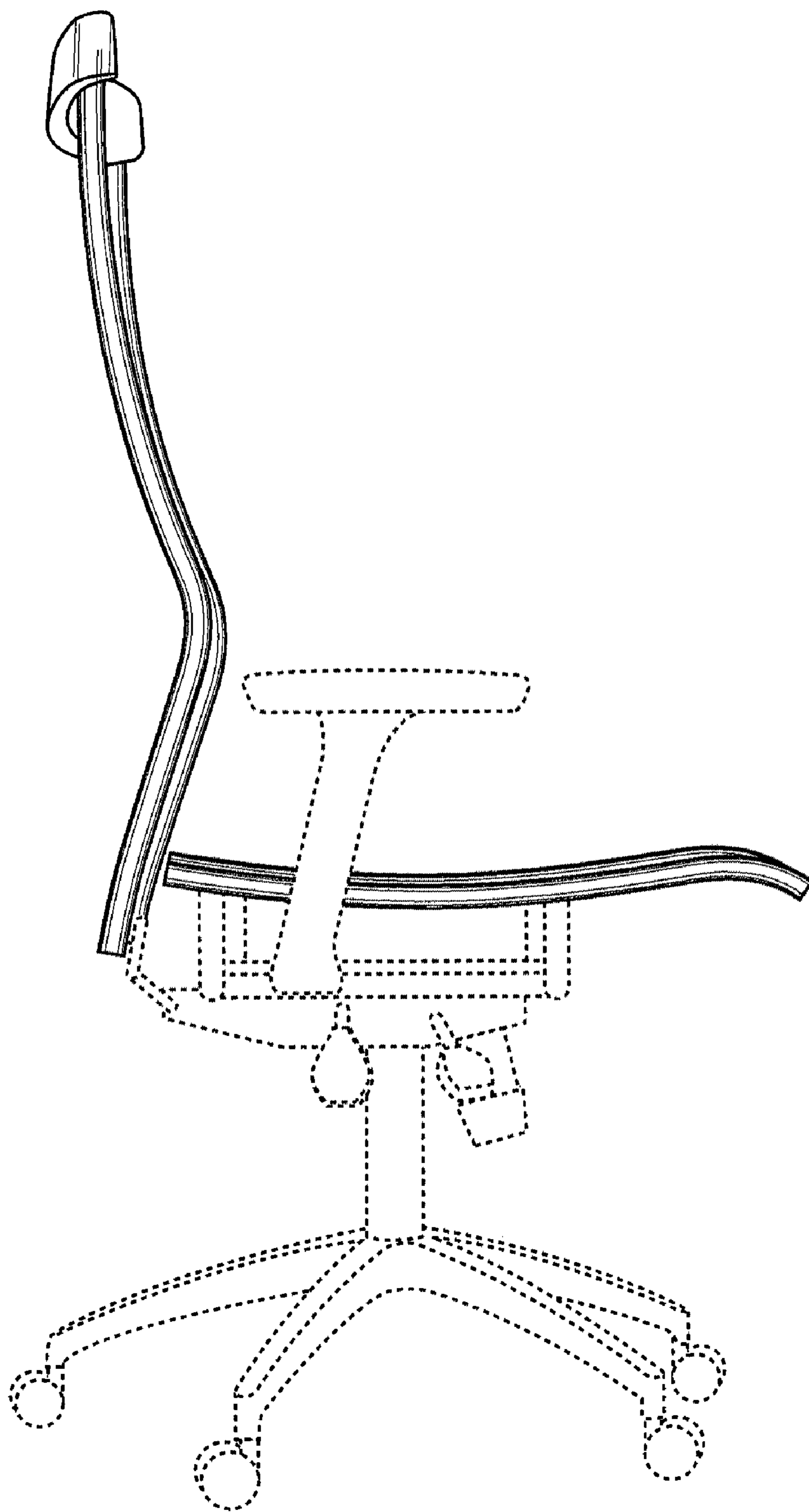


Fig. 5

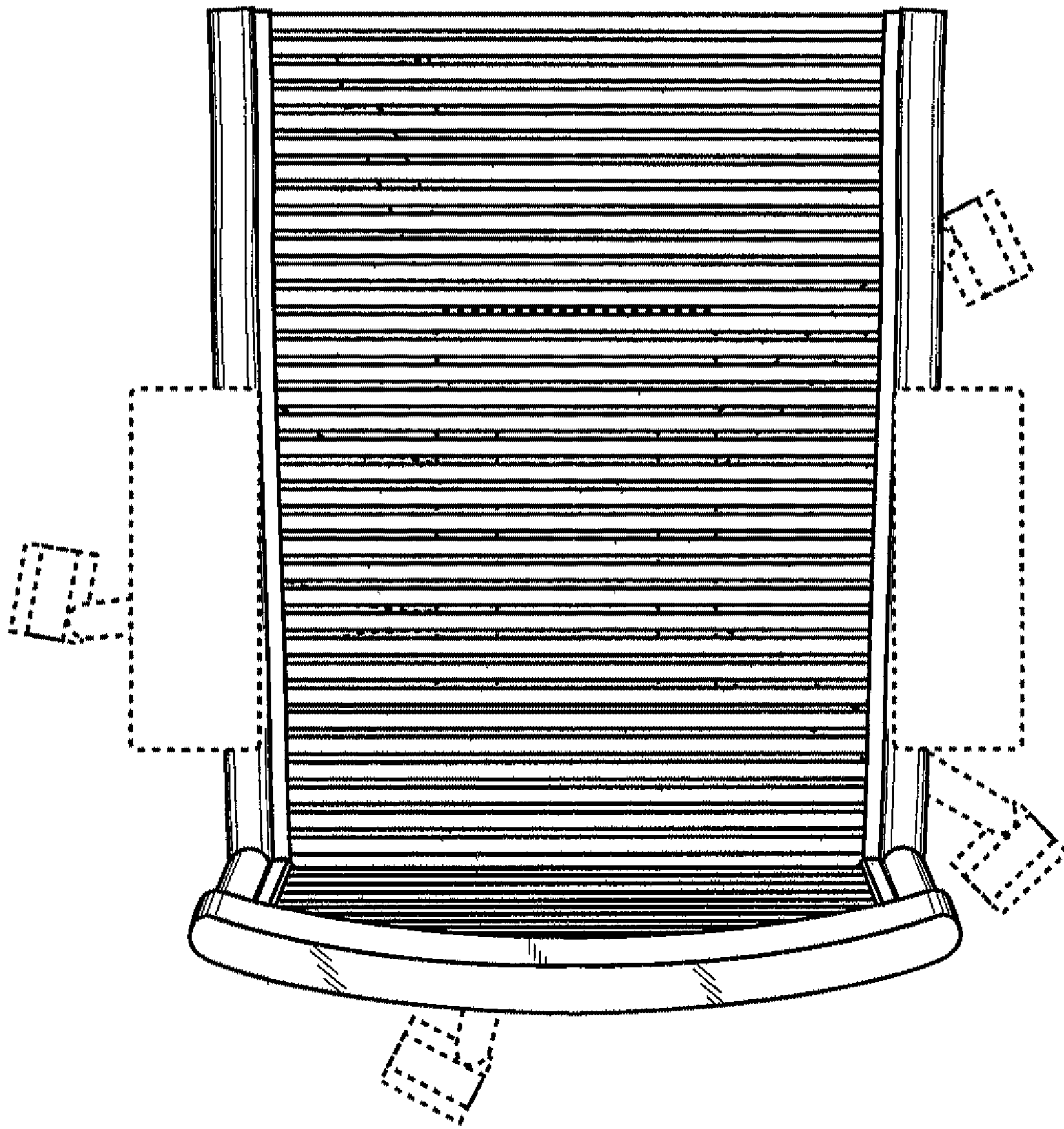


Fig. 6

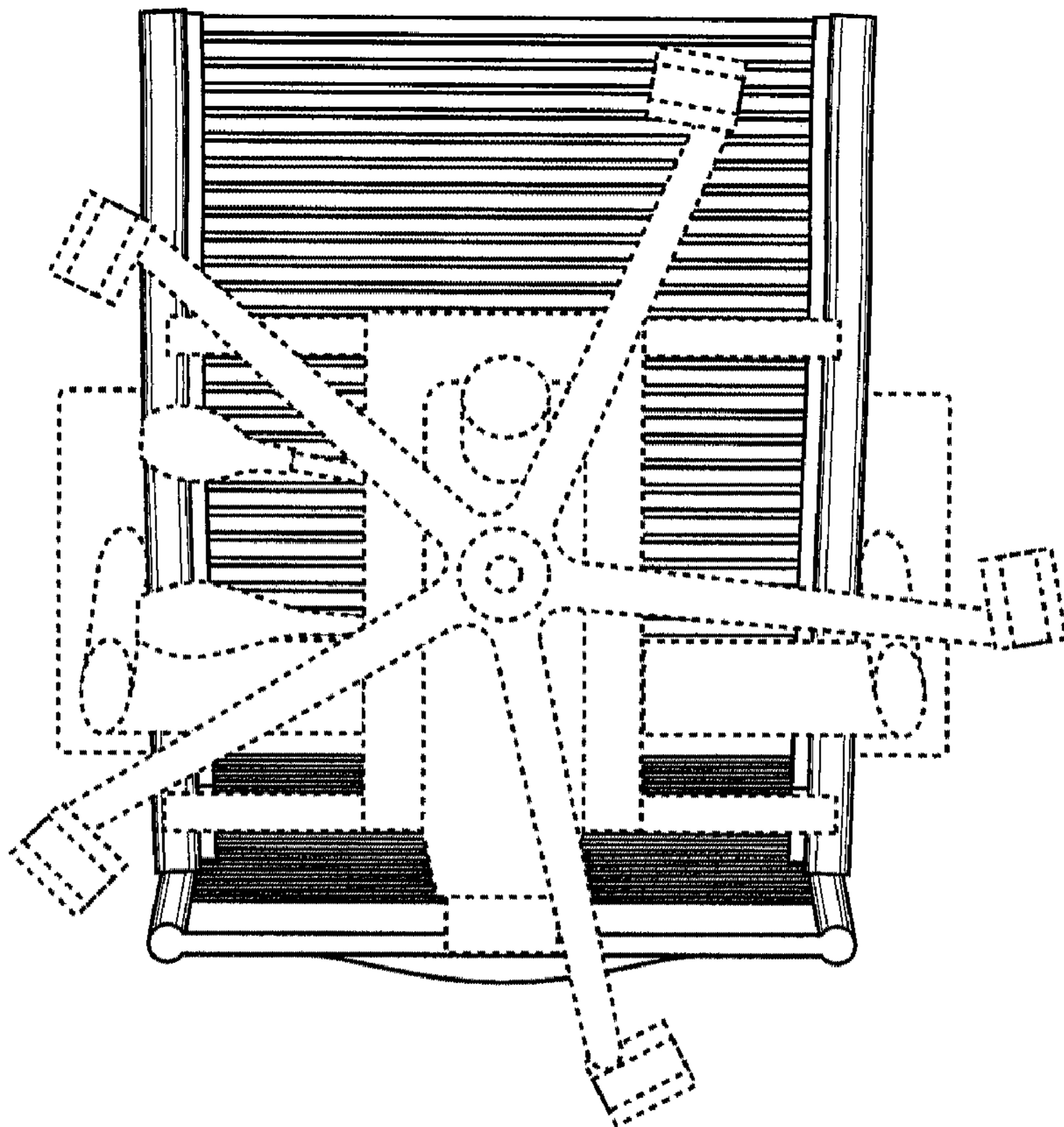


Fig. 7

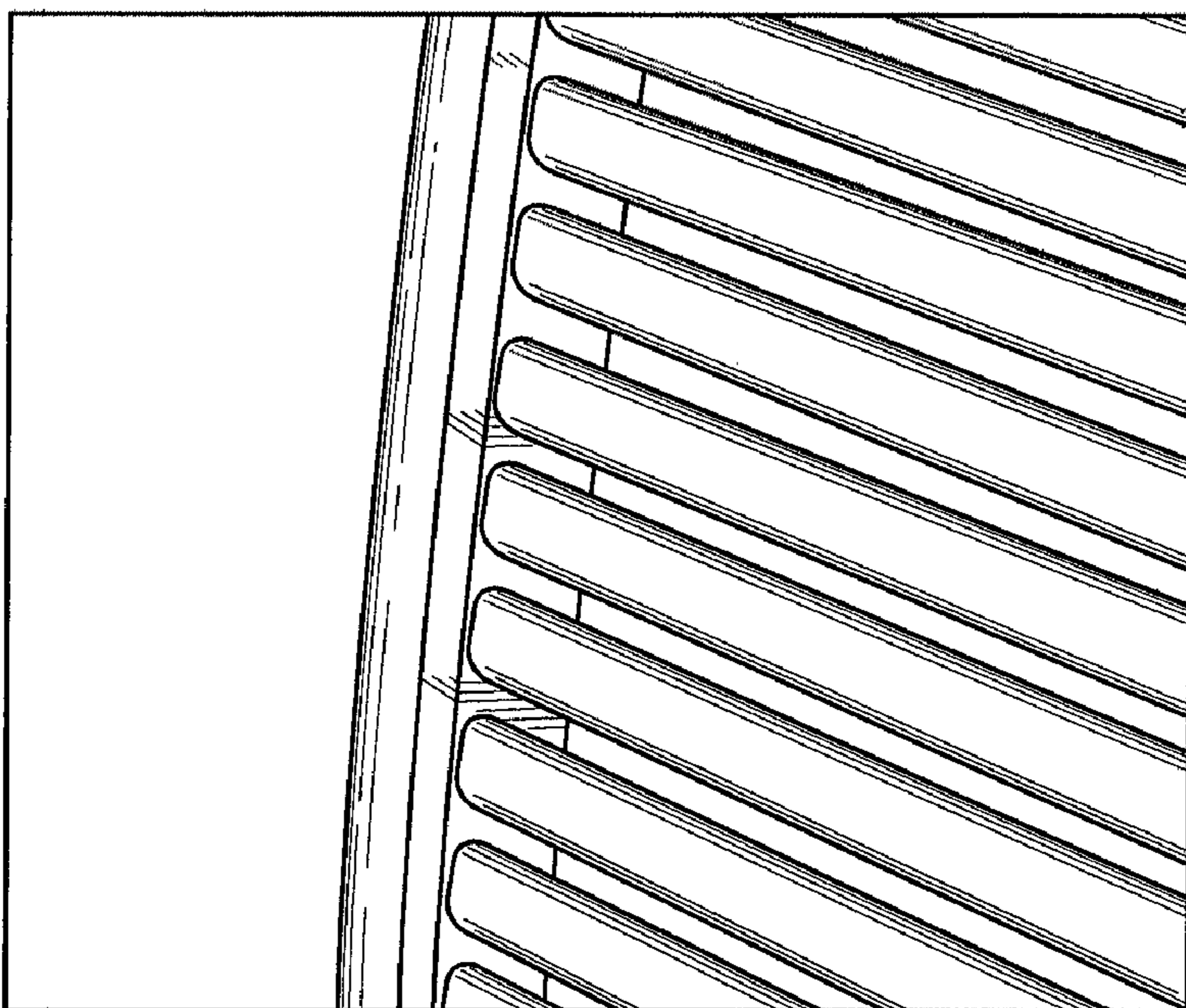


Fig. 8