



US00D590189S

(12) **United States Design Patent**
Held

(10) **Patent No.:** **US D590,189 S**

(45) **Date of Patent:** **** Apr. 14, 2009**

(54) **COVERS FOR FURNITURE FITTINGS**

(57) **CLAIM**

(75) Inventor: **Wolfgang Held**, Hard (AT)

The ornamental design for covers for furniture fittings, as shown and described.

(73) Assignee: **Julius Blum GmbH**, Höchst (AT)

(**) Term: **14 Years**

DESCRIPTION

(21) Appl. No.: **29/274,584**

FIG. 1 is a perspective side view of a cover for a furniture fitting of the first embodiment;

(22) Filed: **May 7, 2007**

FIG. 2 is a front view of the cover for a furniture fitting of the first embodiment;

(51) **LOC (9) Cl.** **06-01**

FIG. 3 is a bottom view of the cover for a furniture fitting of the first embodiment;

(52) **U.S. Cl.** **D6/500**

FIG. 4 is a top view of the cover for a furniture fitting of the first embodiment;

(58) **Field of Classification Search** D6/334-336,
D6/356, 366, 367, 375, 376, 379, 380, 491,
D6/500-502; 297/411.2, 411.23, 411.26,
297/411.35, 411.36, 411.38, 463.1, 463.2

FIG. 5 is a right side view of the cover for a furniture fitting of the first embodiment;

See application file for complete search history.

FIG. 6 is a left side view of the cover for a furniture fitting of the first embodiment;

(56) **References Cited**

FIG. 7 is a back view of the cover for a furniture fitting of the first embodiment;

U.S. PATENT DOCUMENTS

D296,094	S	*	6/1988	Sheek	D6/500
4,807,935	A	*	2/1989	King	297/411.38
D343,537	S	*	1/1994	Harde	D6/501
D376,060	S	*	12/1996	Cohen	D6/501
5,590,934	A	*	1/1997	Gibbs	297/411.38
5,927,811	A	*	7/1999	Tseng	297/353
6,003,947	A	*	12/1999	Rye	297/411.38
D492,520	S	*	7/2004	Ho	D6/501
6,957,866	B1	*	10/2005	Cai	297/411.35
D543,737	S	*	6/2007	Held	D6/500
D545,598	S	*	7/2007	Held	D6/500
D552,386	S	*	10/2007	Cohen	D6/500
D576,431	S	*	9/2008	Held	D6/501

FIG. 8 is a perspective view of a cover for a furniture fitting of the second embodiment;

FIG. 9 is a front view of the cover for a furniture fitting of the second embodiment;

FIG. 10 is a bottom view of the cover for a furniture fitting of the second embodiment;

FIG. 11 is a top view of the cover for a furniture fitting of the second embodiment;

FIG. 12 is a right side view of the cover for a furniture fitting of the second embodiment;

FIG. 13 is a left side view of the cover for a furniture fitting of the second embodiment; and,

FIG. 14 is a back view of the cover for a furniture fitting of the second embodiment.

* cited by examiner

Primary Examiner—Mimosa De

(74) *Attorney, Agent, or Firm*—Wenderoth, Lind & Ponack,
L.L.P.

1 Claim, 14 Drawing Sheets

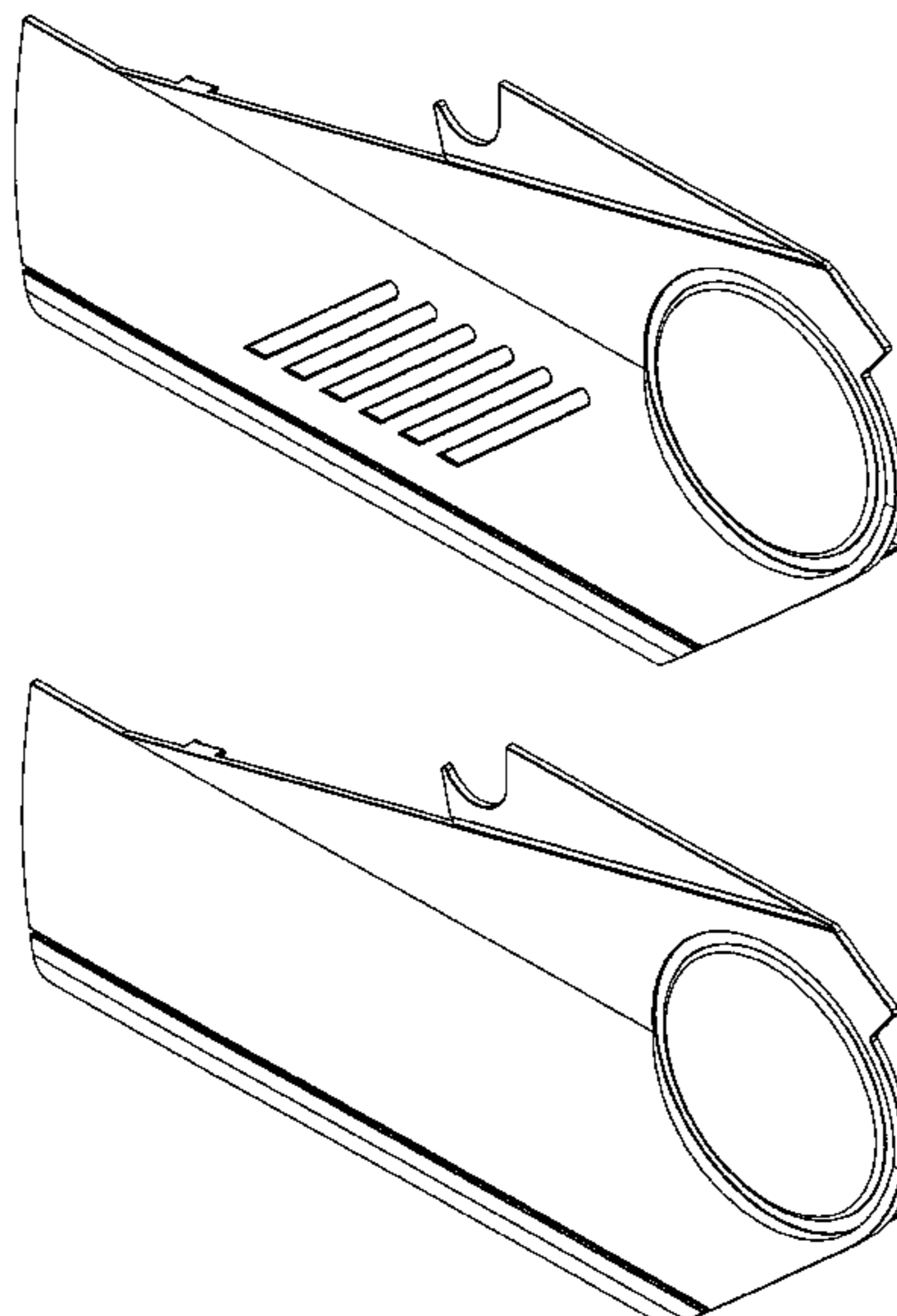


FIG. 1

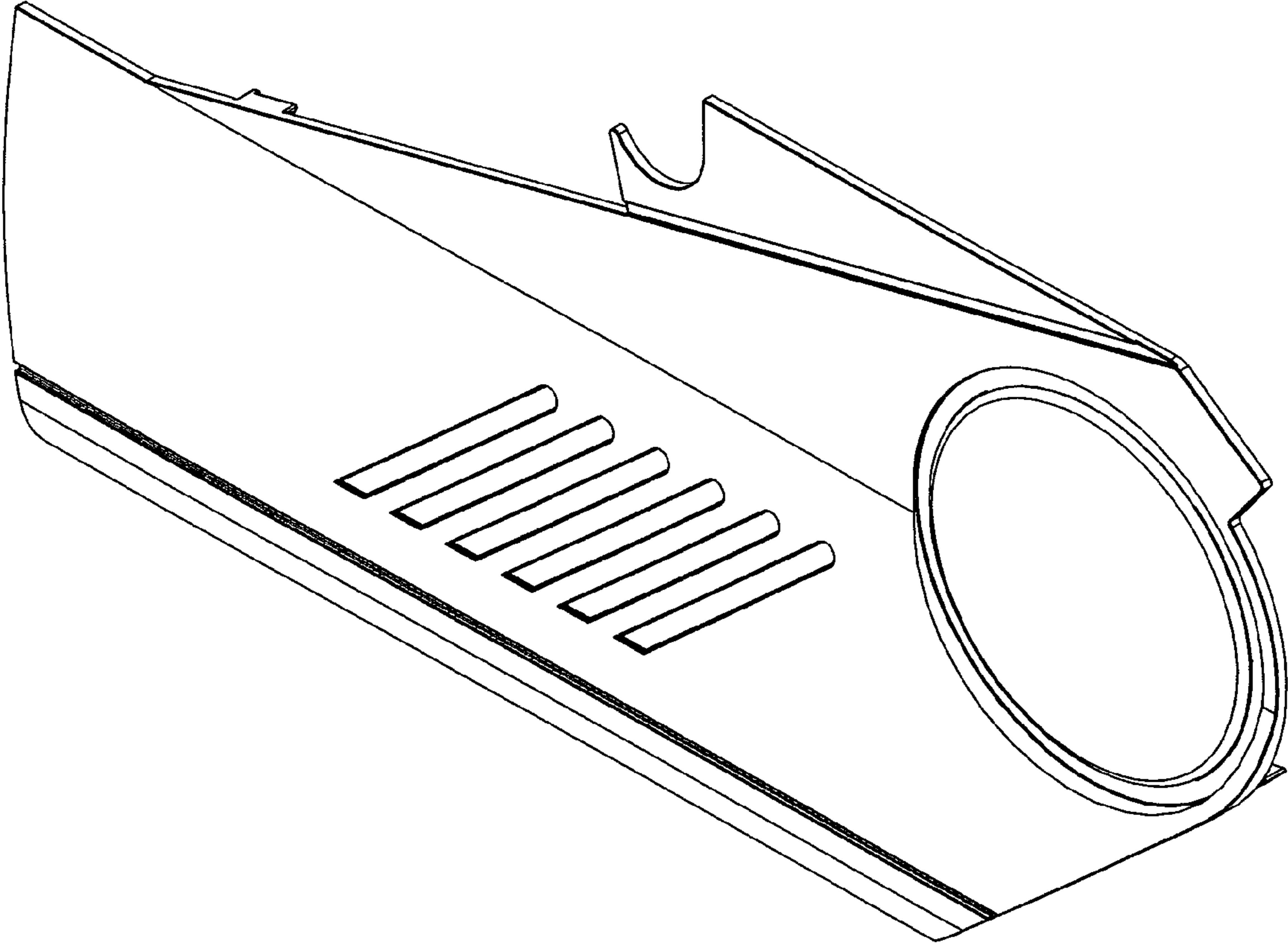


FIG. 2

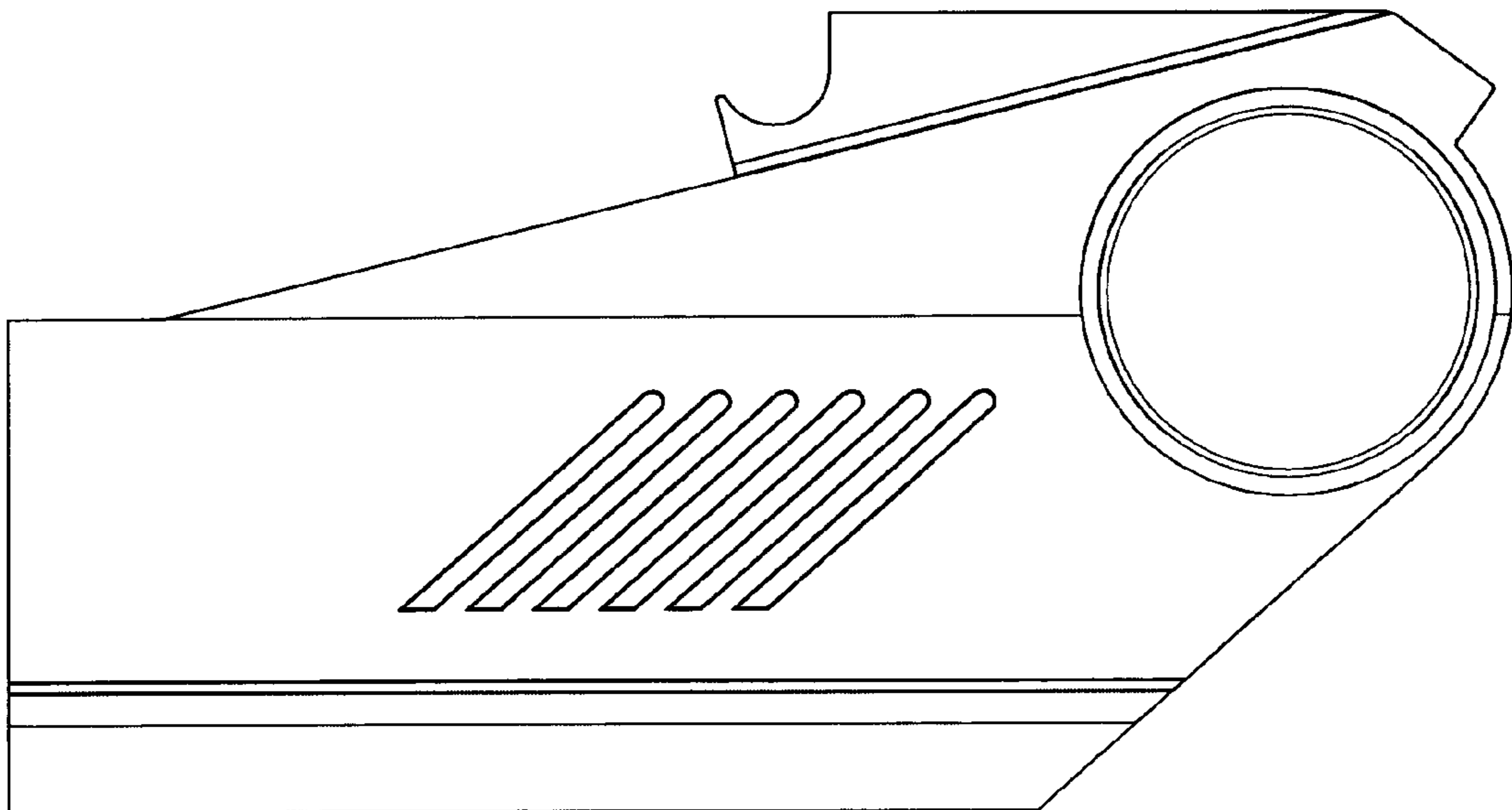


FIG. 3

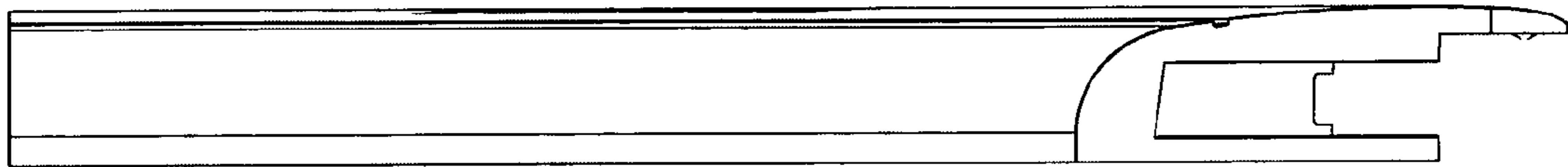


FIG. 4

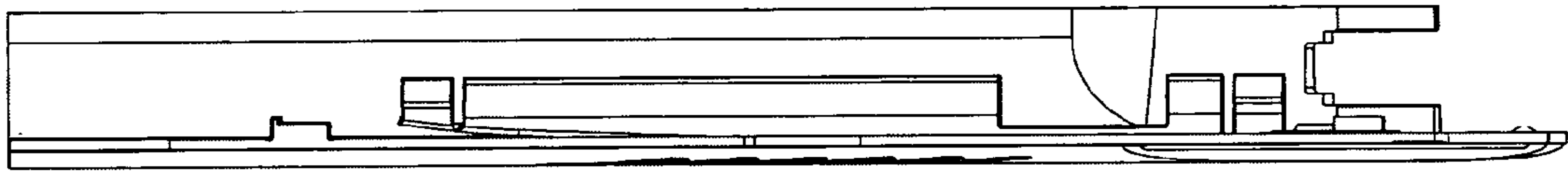


FIG. 5

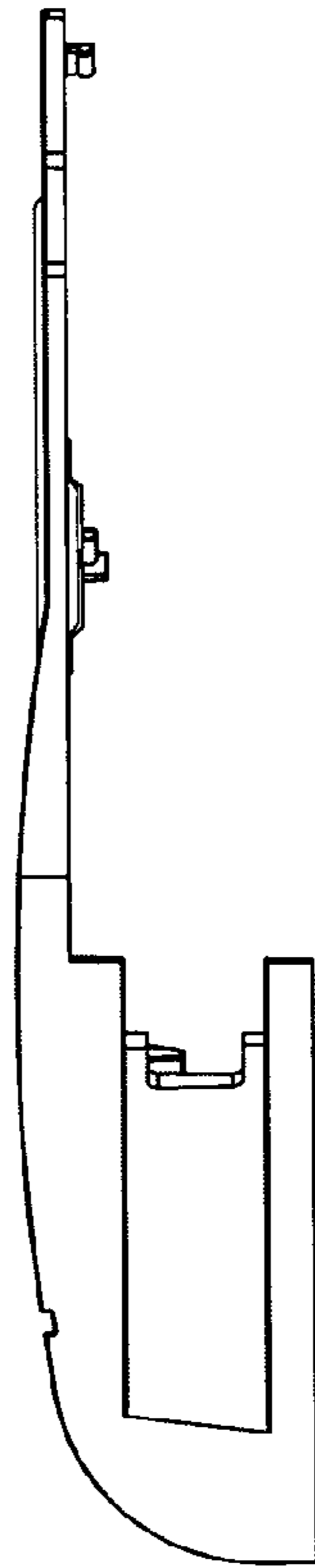


FIG. 6



FIG. 7

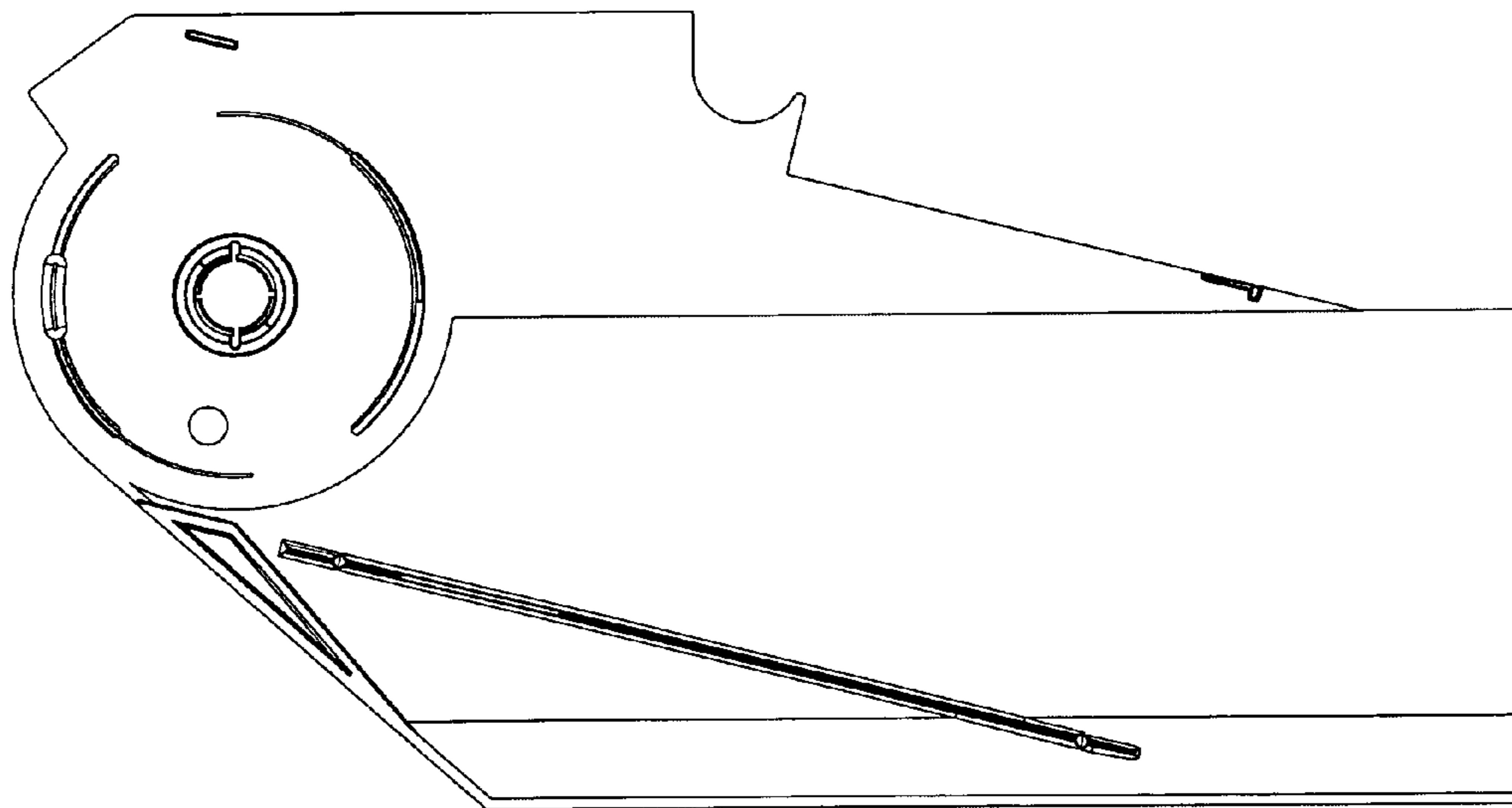


FIG. 8

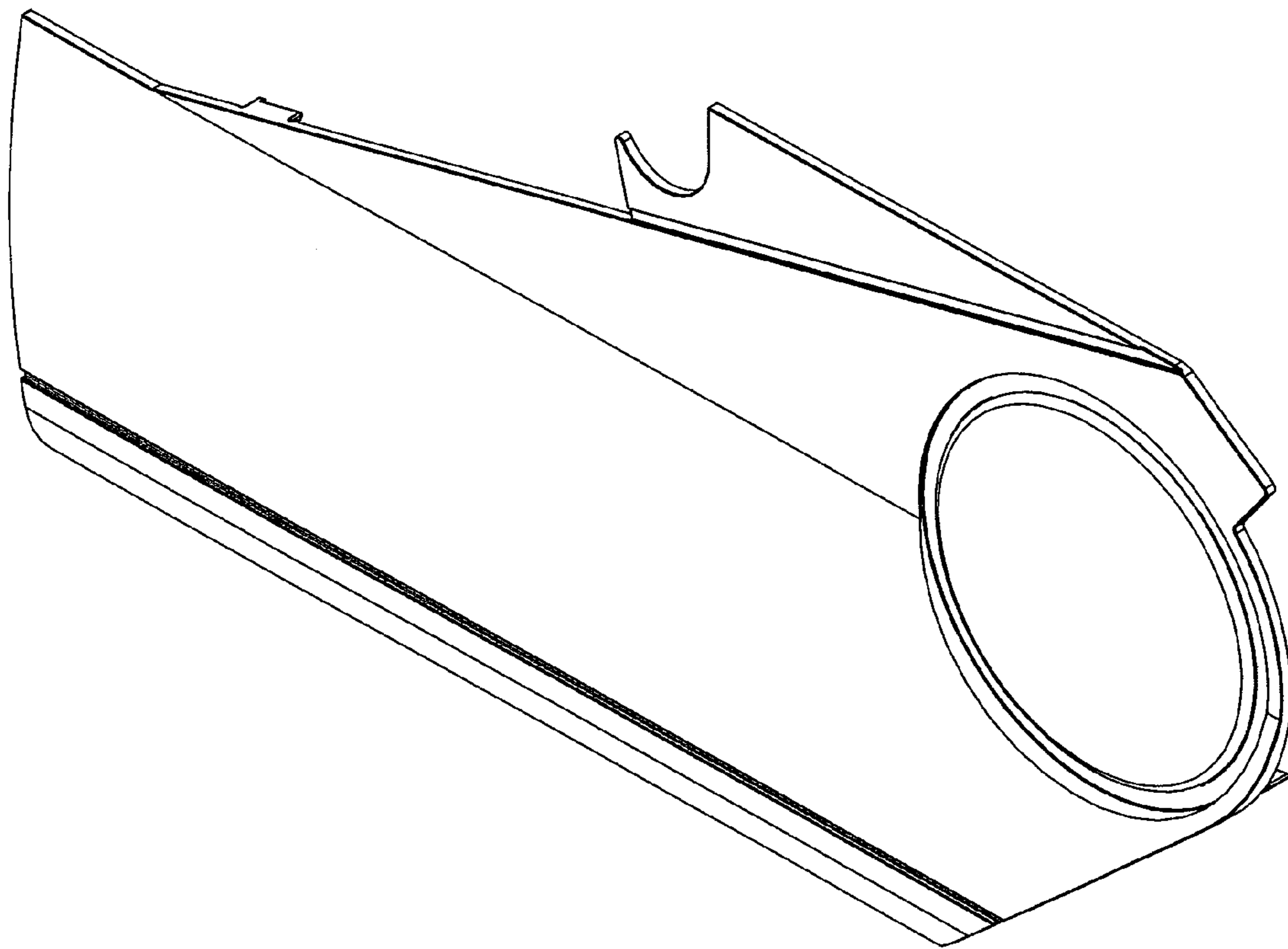


FIG. 9

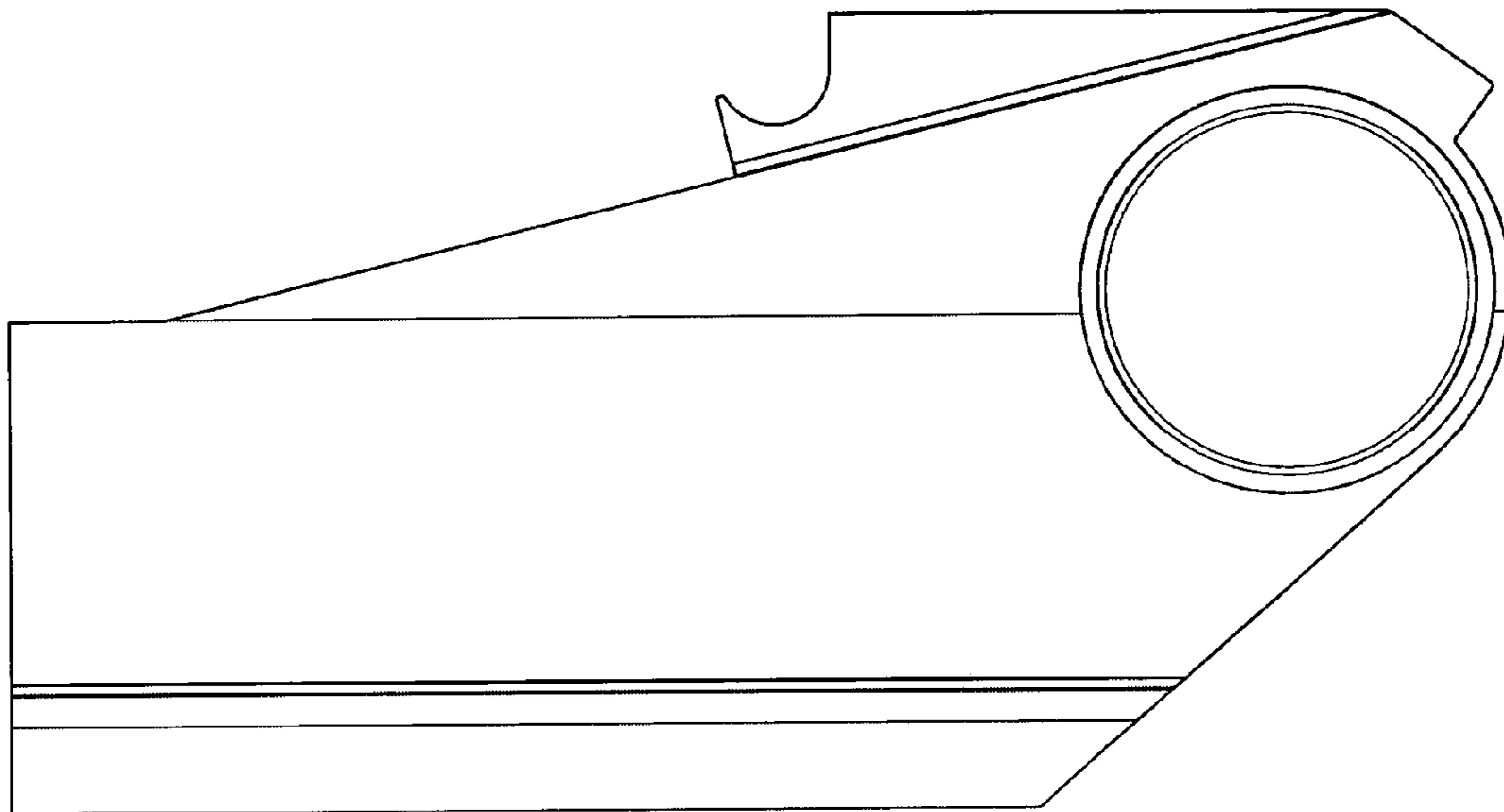


FIG. 10

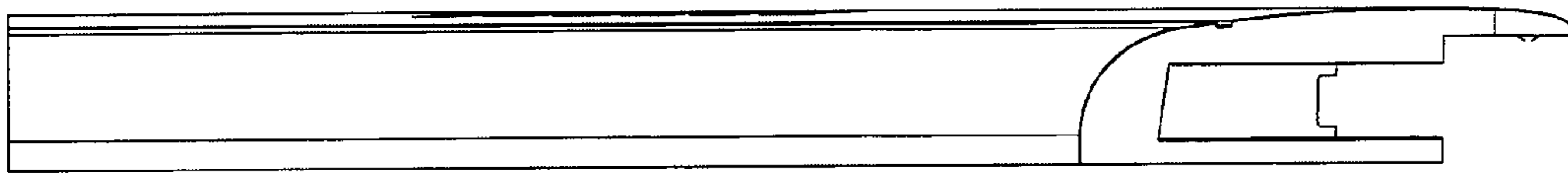


FIG. 11

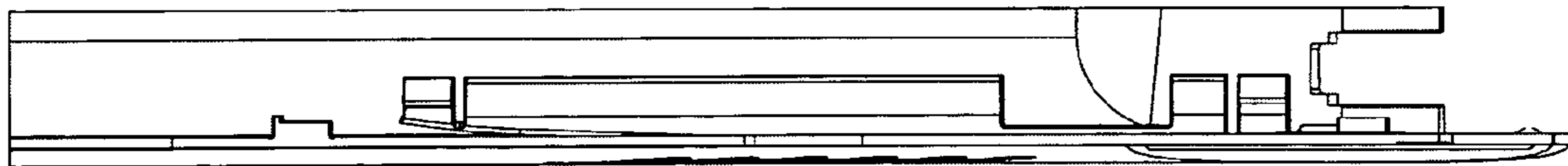


FIG. 12

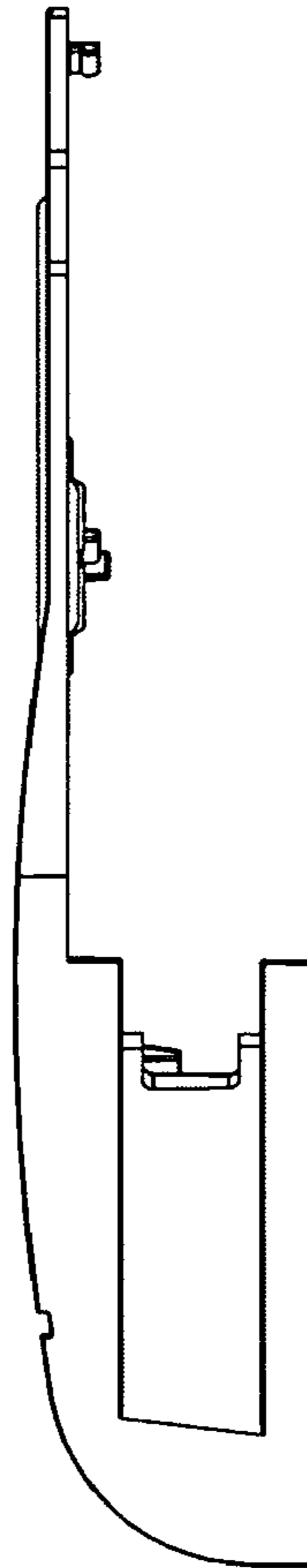


FIG. 13



FIG. 14

