



US00D590186S

(12) **United States Design Patent**
Warren, Jr.

(10) **Patent No.:** **US D590,186 S**

(45) **Date of Patent:** **** Apr. 14, 2009**

(54) **DESK**

(76) **Inventor:** **George H. Warren, Jr.**, 125 Brianwood
La., Portsmouth, RI (US) 02871

(**) **Term:** **14 Years**

(21) **Appl. No.:** **29/307,407**

(22) **Filed:** **Apr. 18, 2008**

(51) **LOC (9) Cl.** **06-03**

(52) **U.S. Cl.** **D6/484**

(58) **Field of Classification Search** D6/422,
D6/425-428, 429-431, 484, 485; 312/194-196,
312/258; 108/50.01, 50.02

See application file for complete search history.

(56) **References Cited**

U.S. PATENT DOCUMENTS

D155,976 S	*	11/1949	Dunham	D6/428
D223,583 S	*	5/1972	Welch	D6/477
D283,865 S	*	5/1986	Bergelin	D6/484
D360,319 S	*	7/1995	Keller	D6/428
D505,282 S	*	5/2005	Miyakawa	D6/484

* cited by examiner

Primary Examiner—Janice E Seeger

(74) *Attorney, Agent, or Firm*—Jones Waldo Holbrook &
McDonough

(57) **CLAIM**

The ornamental design for a desk, as shown and described.

DESCRIPTION

FIG. 1 shows a front perspective view of the presently
claimed design.

FIG. 2 shows a top view of the presently claimed design.

FIG. 3 shows a front view of the presently claimed design.

FIG. 4 shows a bottom view of the presently claimed design.

FIG. 5 shows a rear view of the presently claimed design.

FIG. 6 shows a side view of the presently claimed design; and,

FIG. 7 shows another side view of the presently claimed
design.

The broken lines are for environmental purposes only and
form no part of the claimed design.

1 Claim, 3 Drawing Sheets

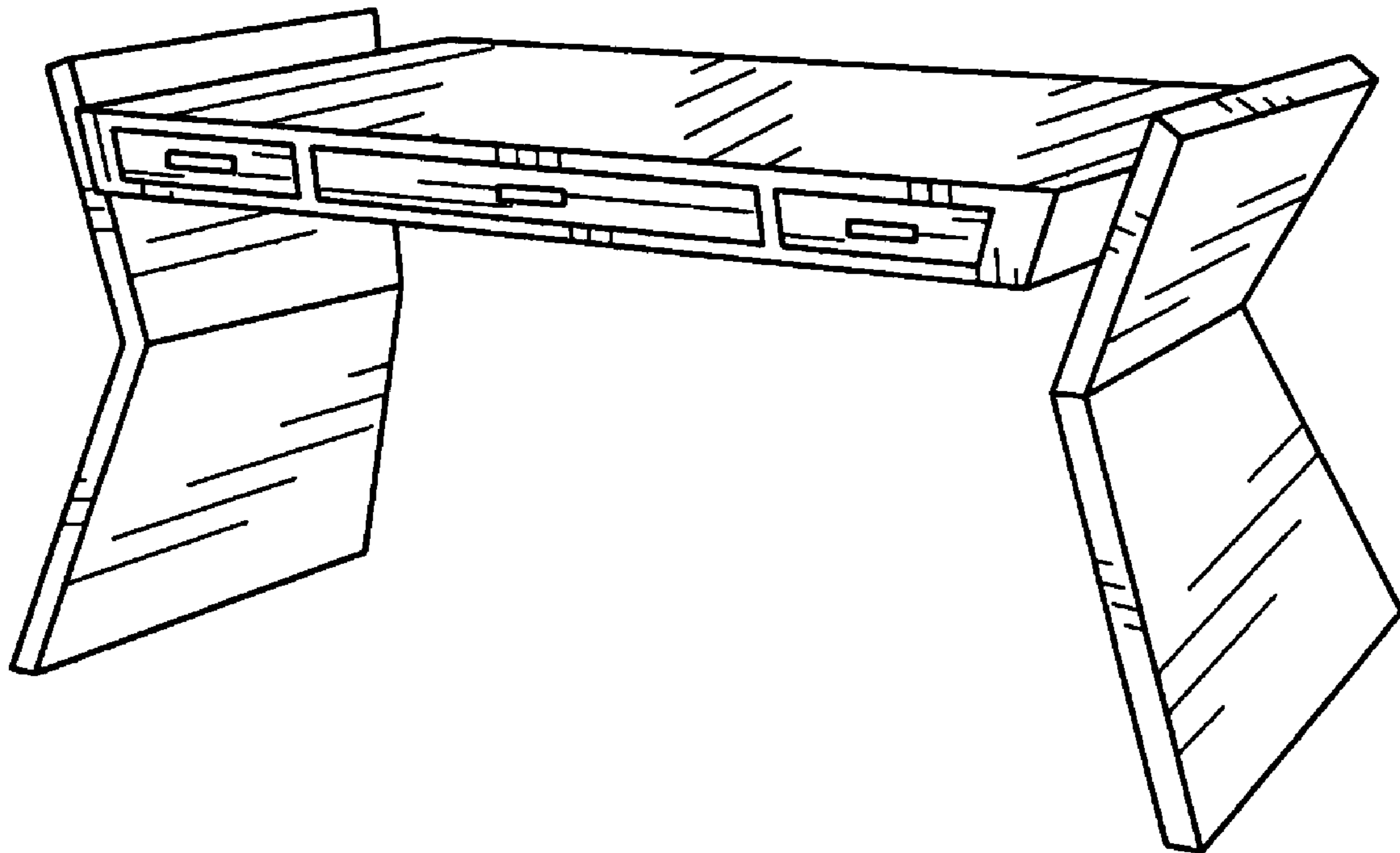


FIG. 1

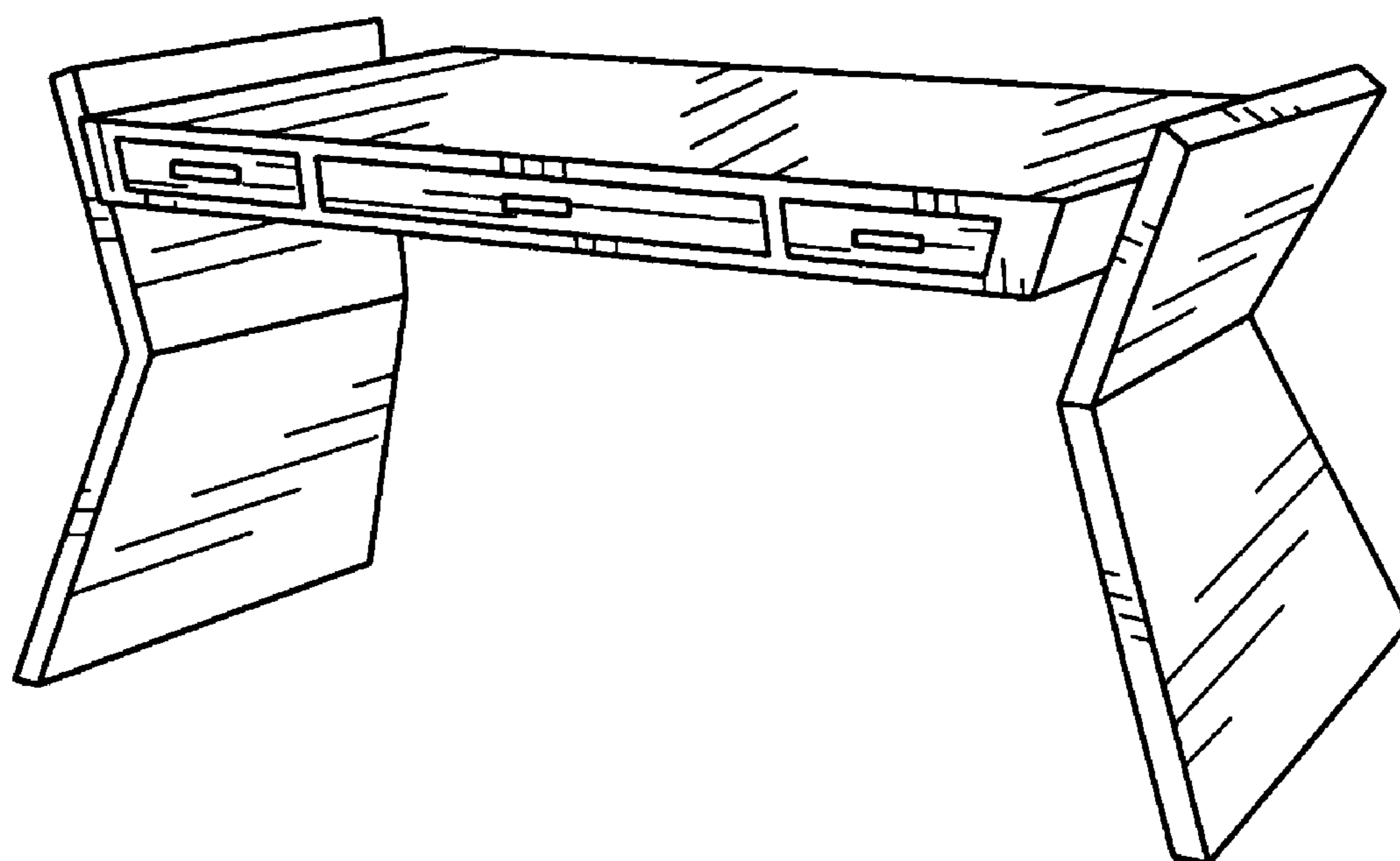


FIG.2

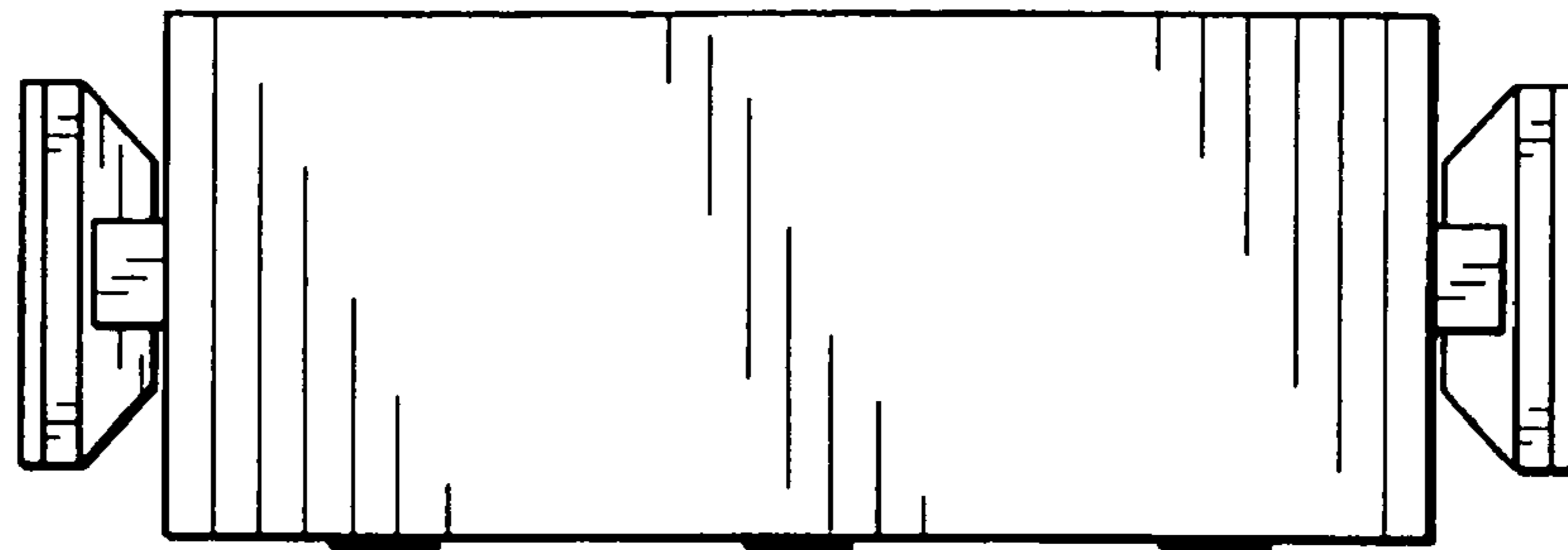


FIG.3

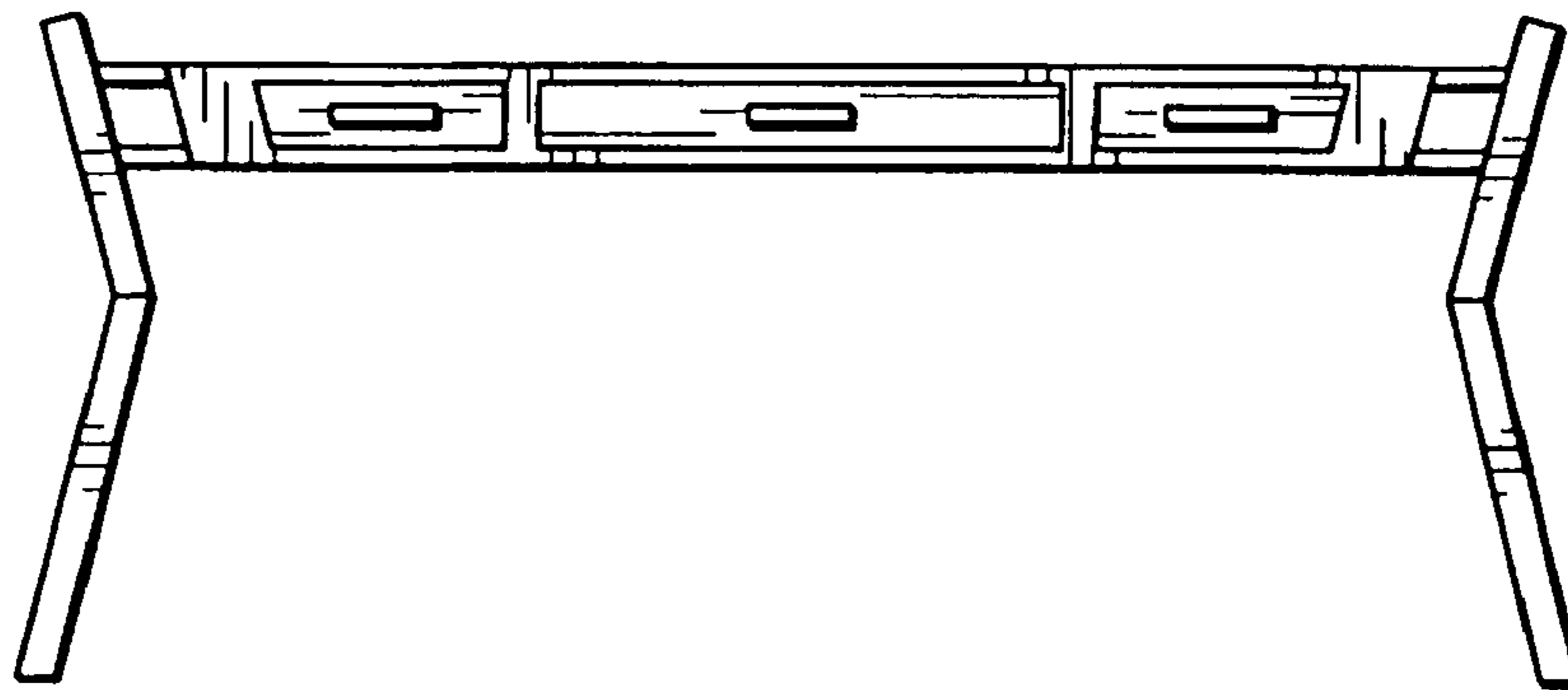


FIG.4

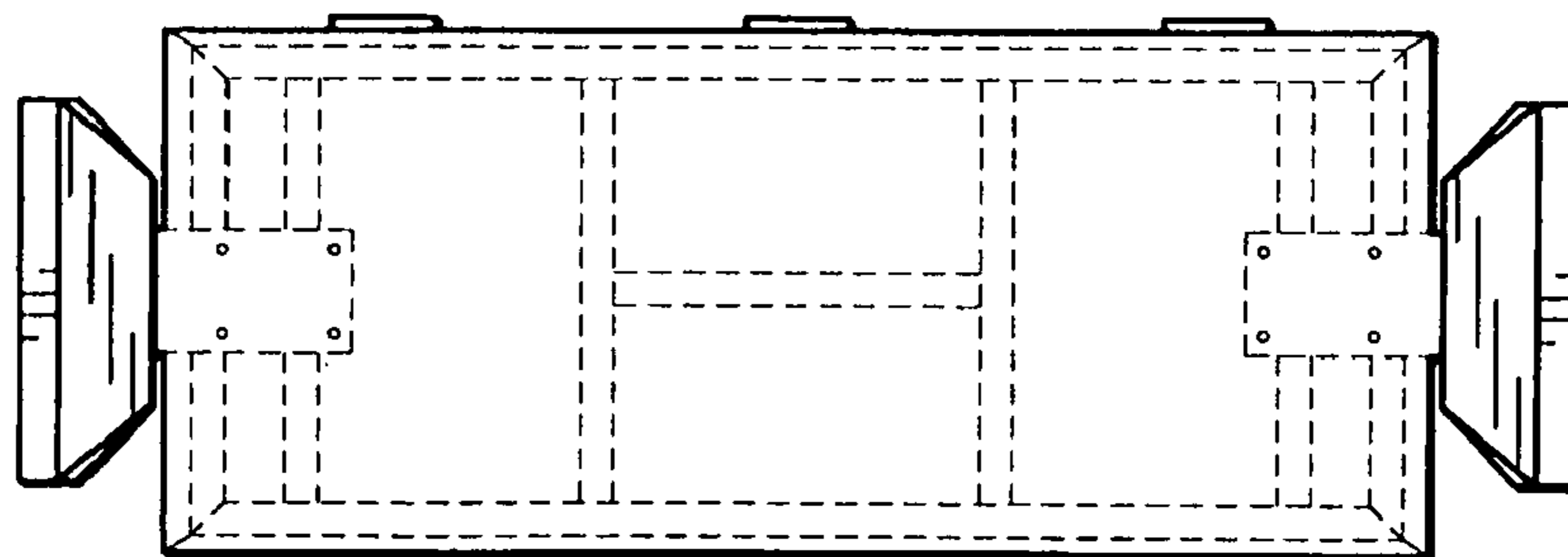


FIG.5

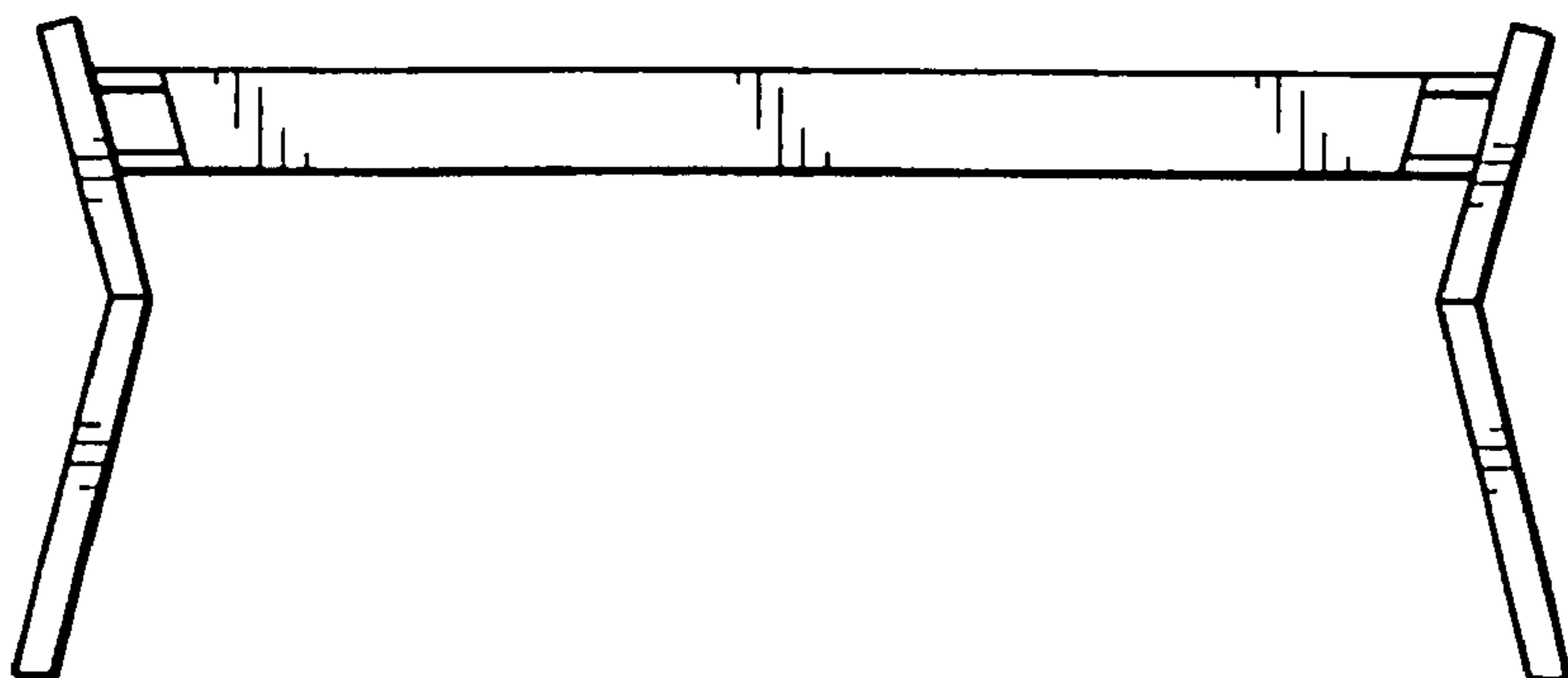


FIG. 6

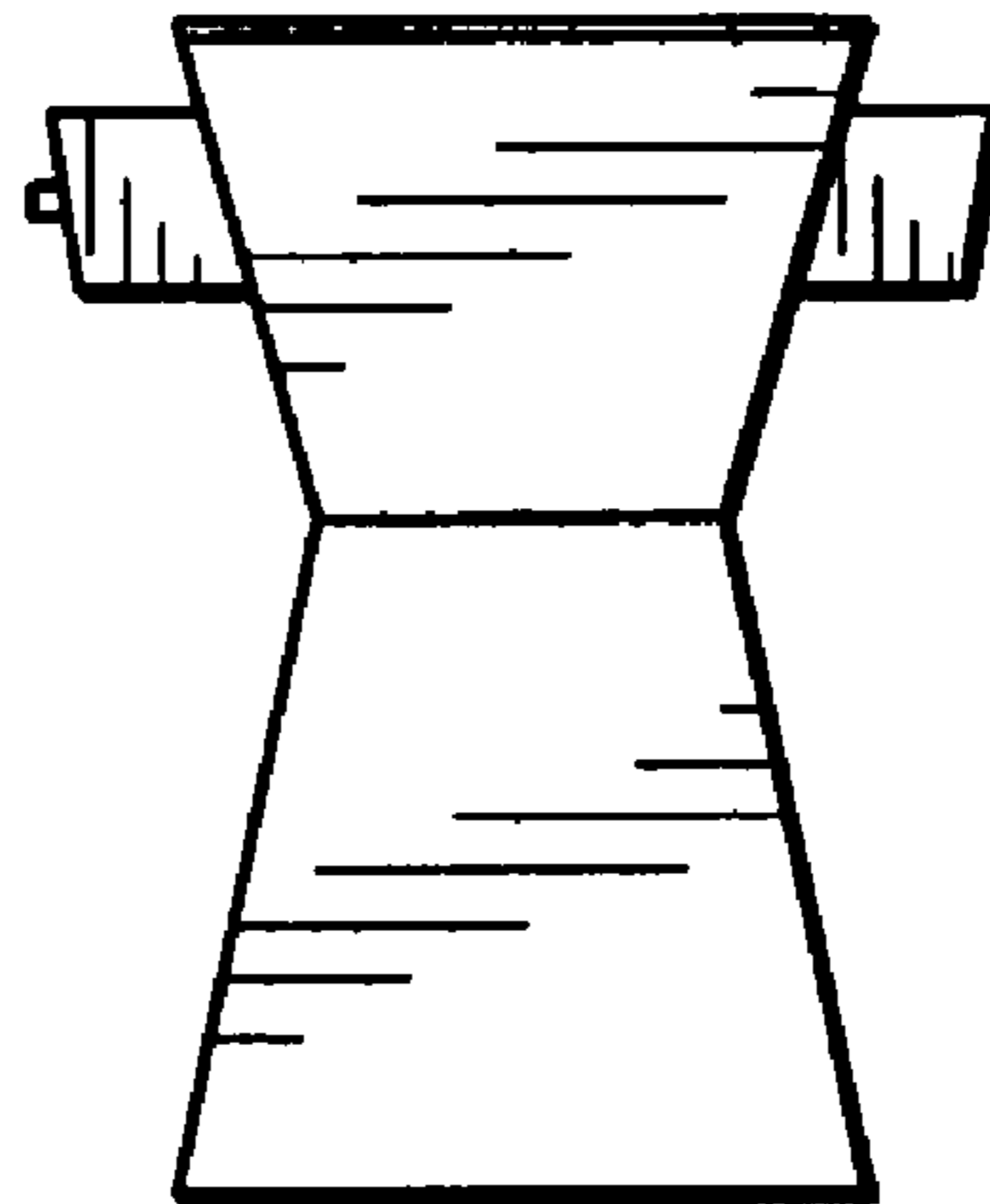


FIG. 7

