

US00D590184S

(12) **United States Design Patent**
Barabas et al.

(10) **Patent No.:** **US D590,184 S**

(45) **Date of Patent:** **** Apr. 14, 2009**

(54) **MOUNT FOR A DIGITAL MEDIA PLAYER**

(76) Inventors: **Alfred Barabas**, 2490 Maine Ave., Long Beach, CA (US) 90806; **Laszlo Barabas**, 2490 Maine Ave., Long Beach, CA (US) 90806

(**) Term: **14 Years**

(21) Appl. No.: **29/256,552**

(22) Filed: **Mar. 22, 2006**

(51) **LOC (9) Cl.** **06-04**

(52) **U.S. Cl.** **D6/466**

(58) **Field of Classification Search** D6/466,
D6/478, 436, 449, 473-479; 312/7.1, 7.2,
312/9.1, 111; D14/126, 133, 239, 224, 224.1,
D14/251; 211/85.7, 133.1

See application file for complete search history.

(56) **References Cited**

U.S. PATENT DOCUMENTS

D98,786 S *	3/1936	Sunderhauf	D6/466
D123,019 S *	10/1940	Rivers	D6/466
D323,085 S *	1/1992	Konkel	D6/466
D361,450 S *	8/1995	Weatherby	D6/466
D391,098 S *	2/1998	Northrop	D6/466
D468,134 S *	1/2003	Oikawa	D6/466
D471,034 S *	3/2003	Bong et al.	D6/479
D476,171 S *	6/2003	Hirano	D6/466

D517,838 S *	3/2006	Luong	D6/477
D529,316 S *	10/2006	Fujiki	D6/478
D581,187 S *	11/2008	Vihauer	D6/466

* cited by examiner

Primary Examiner—Caron Veynar

Assistant Examiner—Abraham Bahta

(74) *Attorney, Agent, or Firm*—Knobbe, Martens, Olson & Bear, LLP

(57) **CLAIM**

The ornamental designs for a mount for a digital media player, as shown and described.

DESCRIPTION

FIG. 1 is an exploded perspective view of a mount showing our new design;

FIG. 2 is a perspective view of a top, front and right side of the mount of FIG. 1.

FIG. 3 is a front view of the mount of FIG. 1.

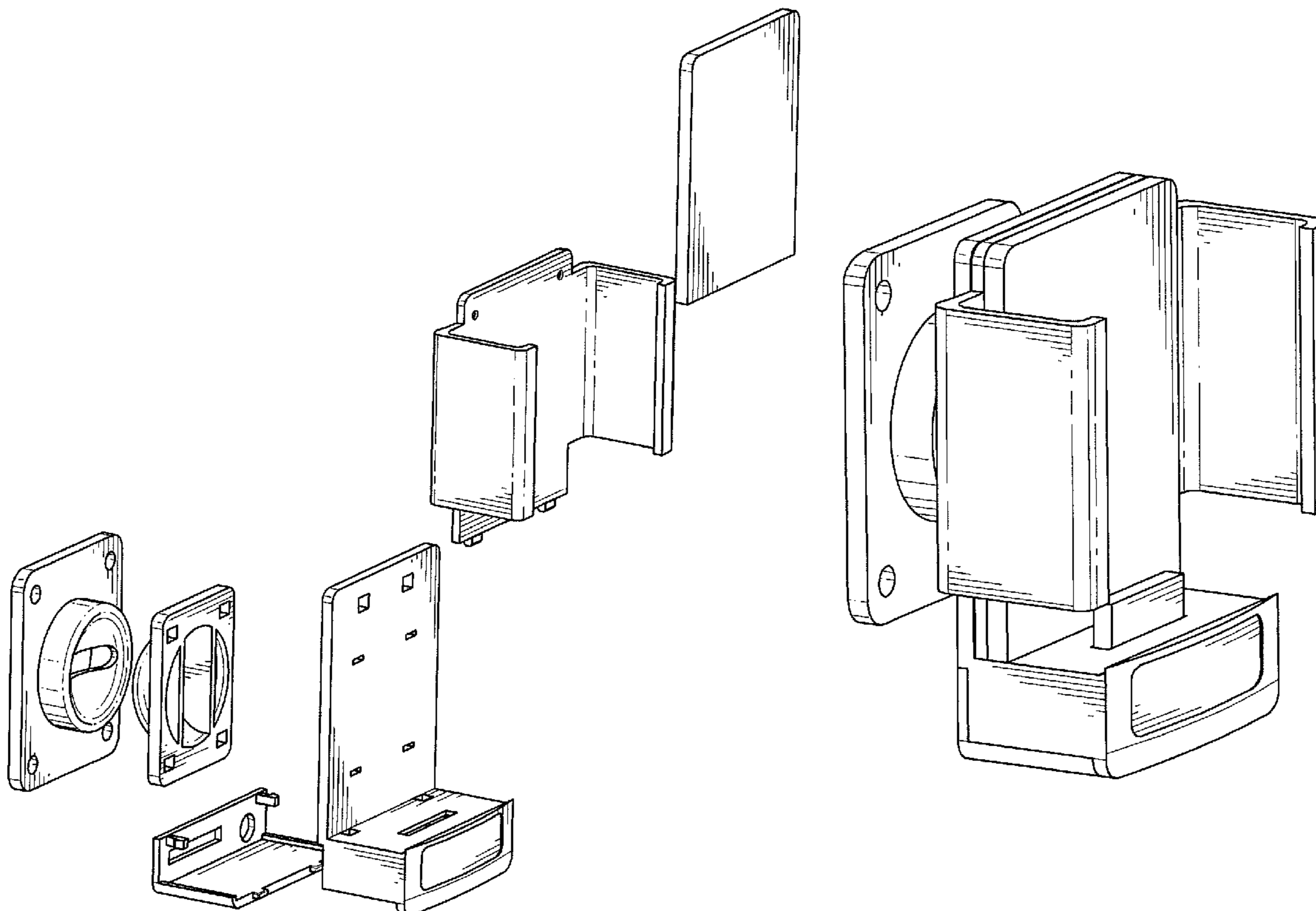
FIG. 4 is a rear view of the mount of FIG. 1.

FIG. 5 is a top view of the mount of FIG. 1.

FIG. 6 is a bottom view of the mount of FIG. 1; and,

FIG. 7 is right side view of the mount of FIG. 1. Although not separately shown, the left side view is substantially a mirror image of the right side view.

1 Claim, 4 Drawing Sheets



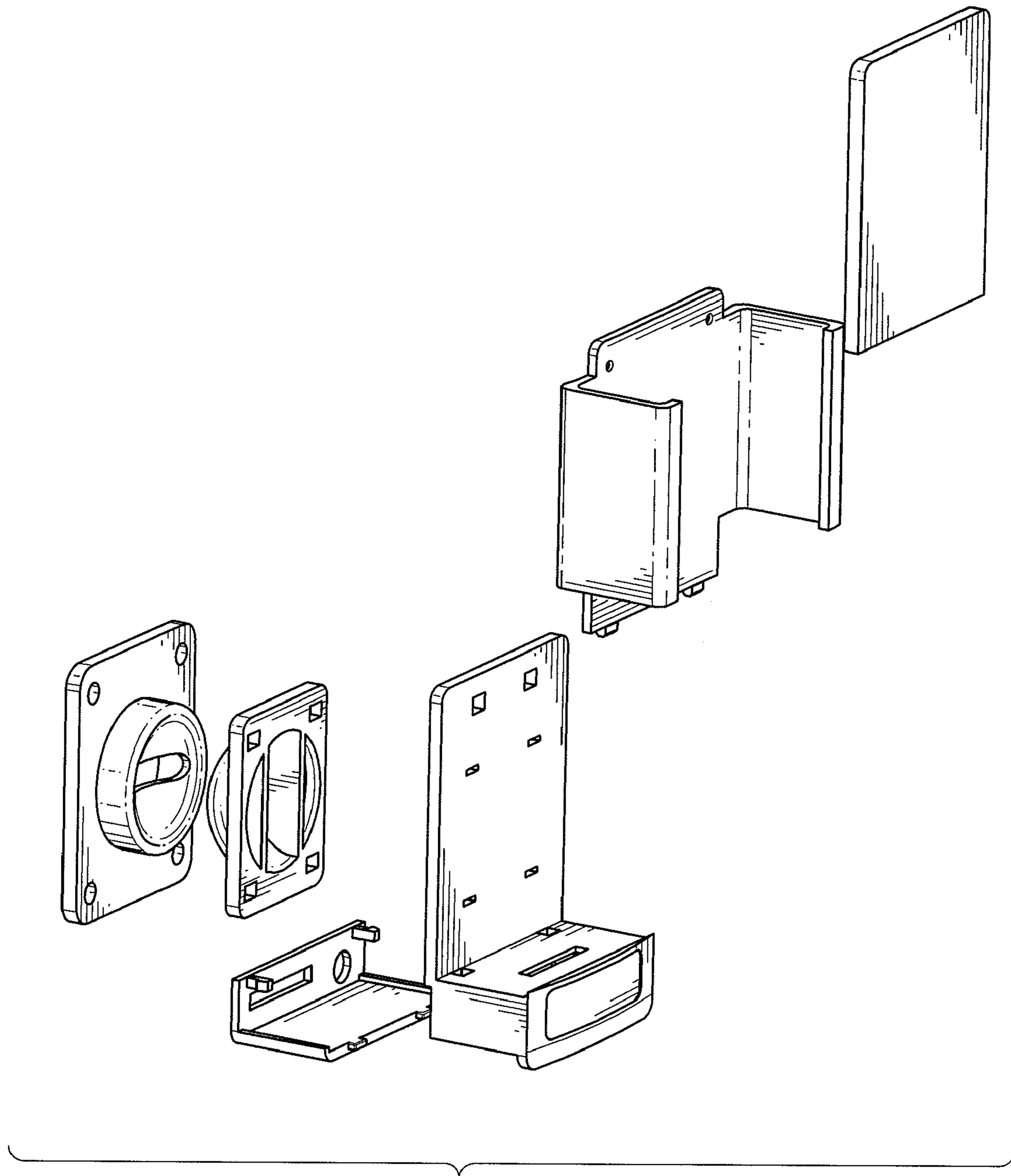


FIG. 1

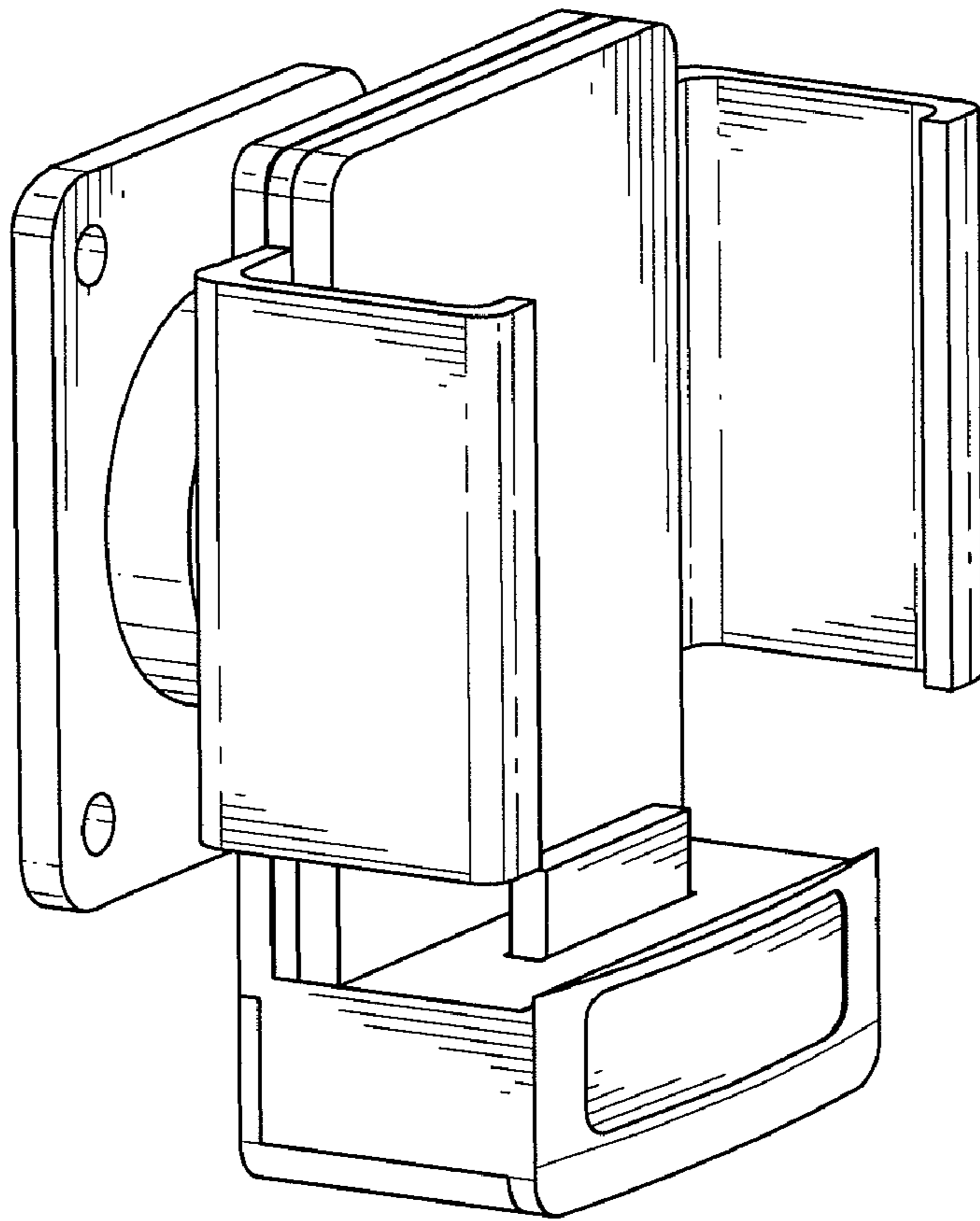


FIG. 2

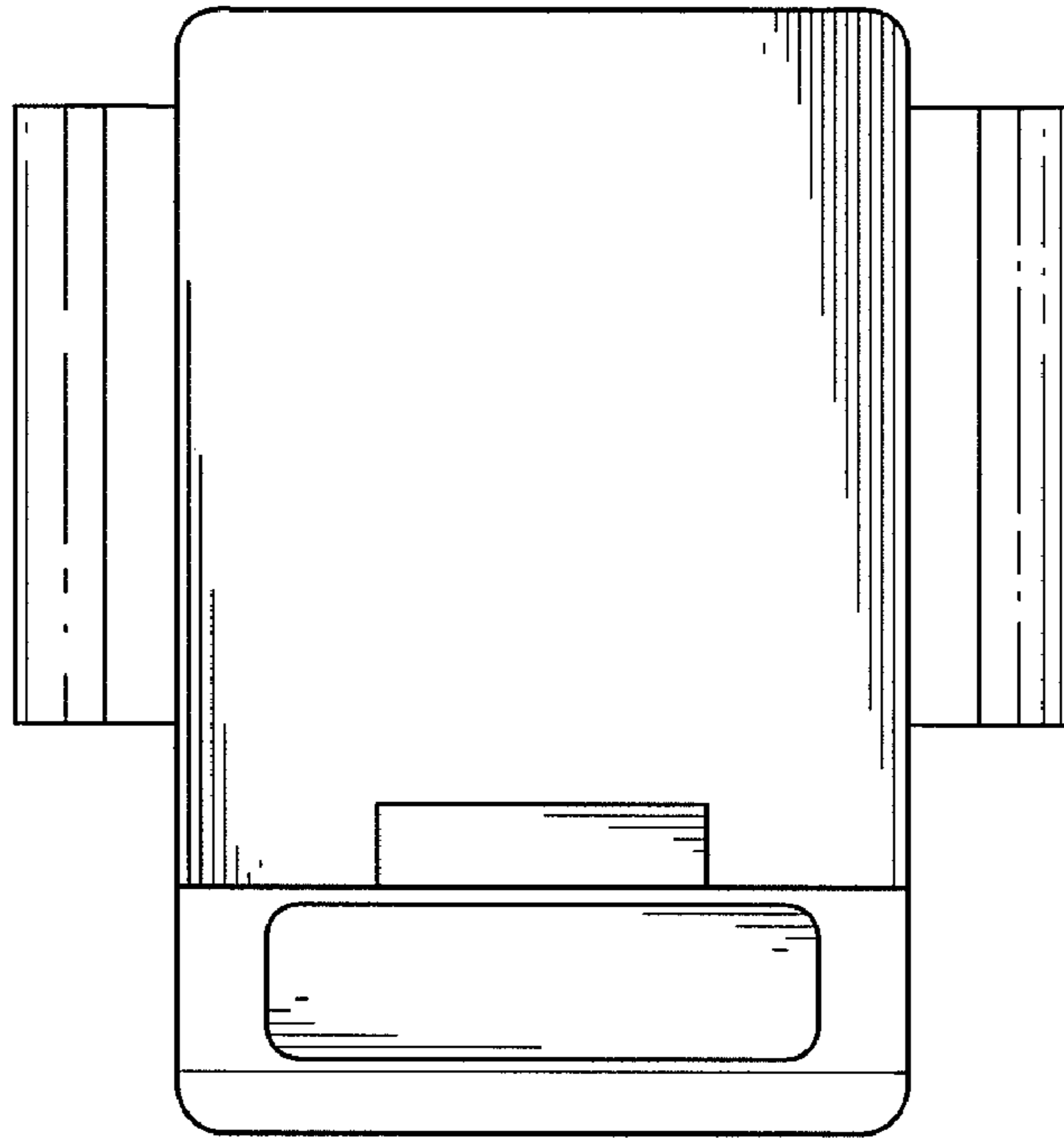


FIG. 3

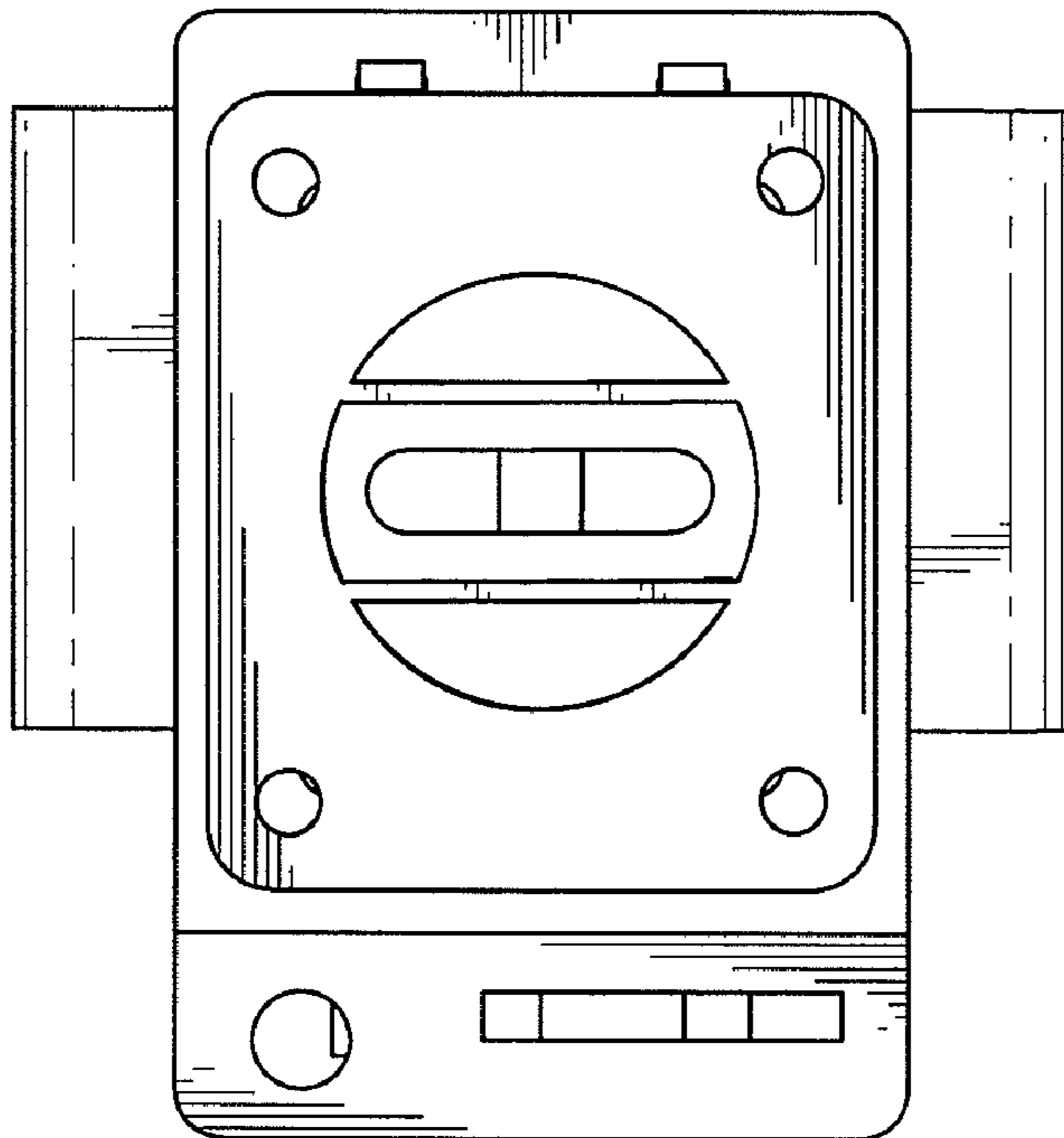


FIG. 4

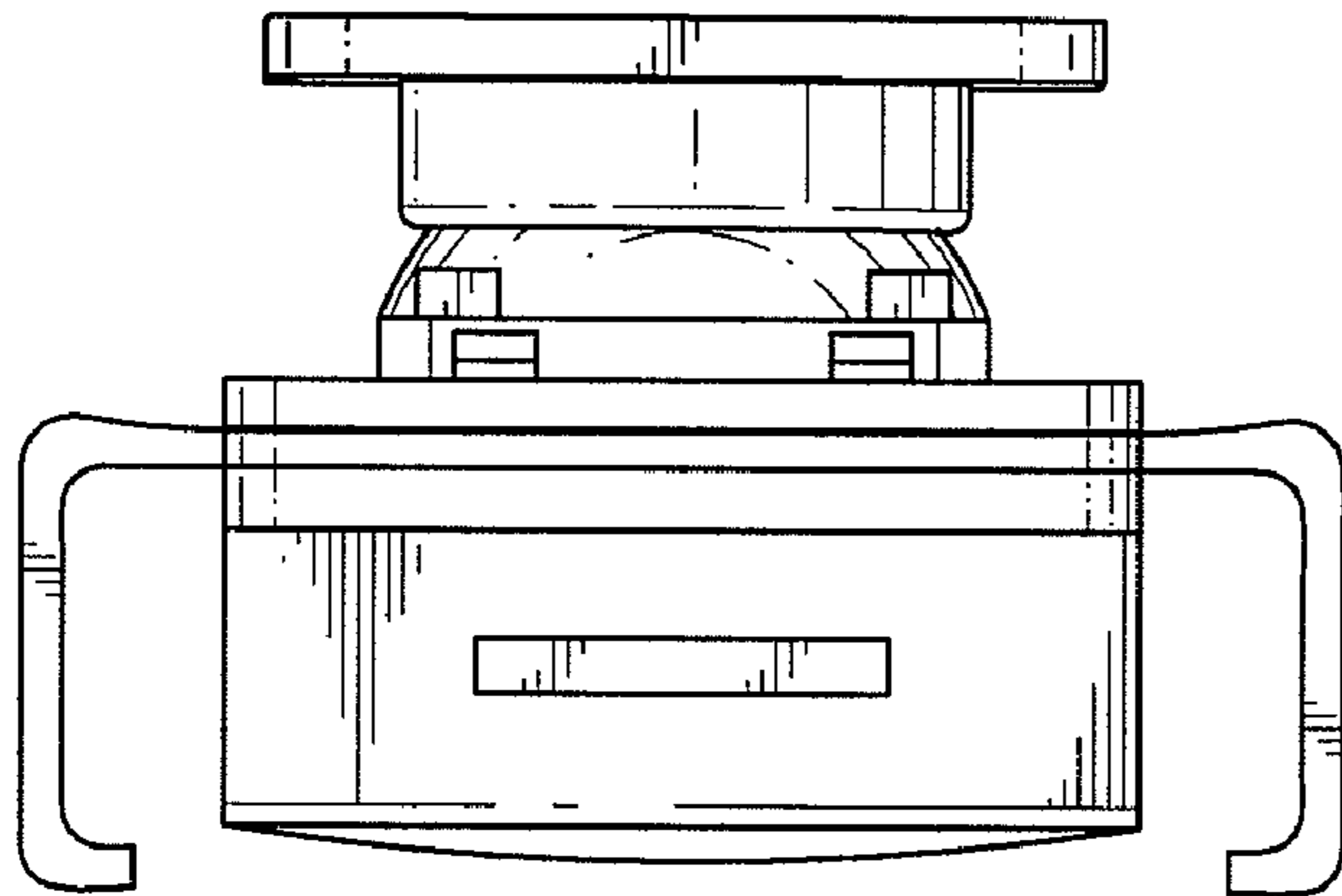


FIG. 5

FIG. 6

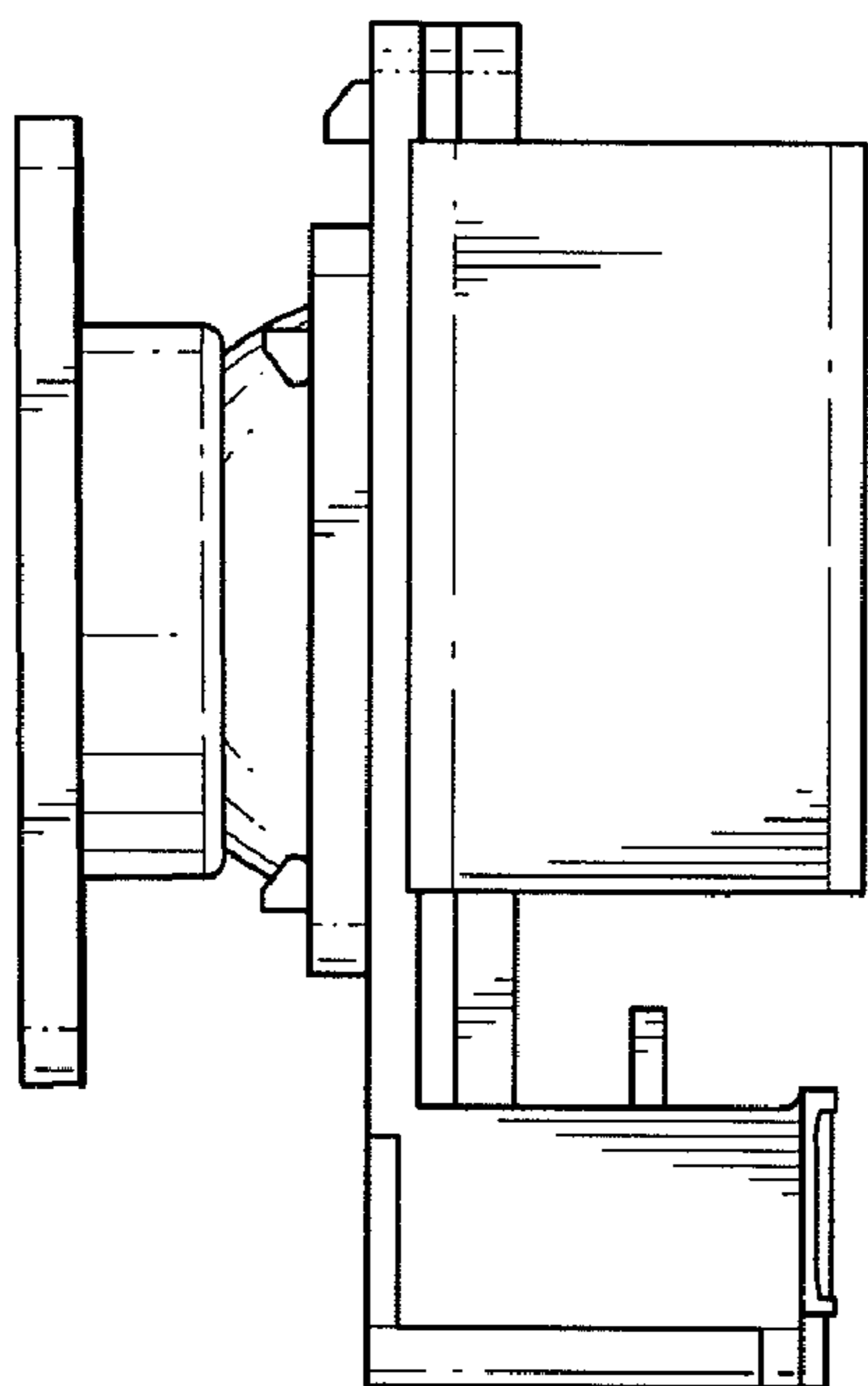
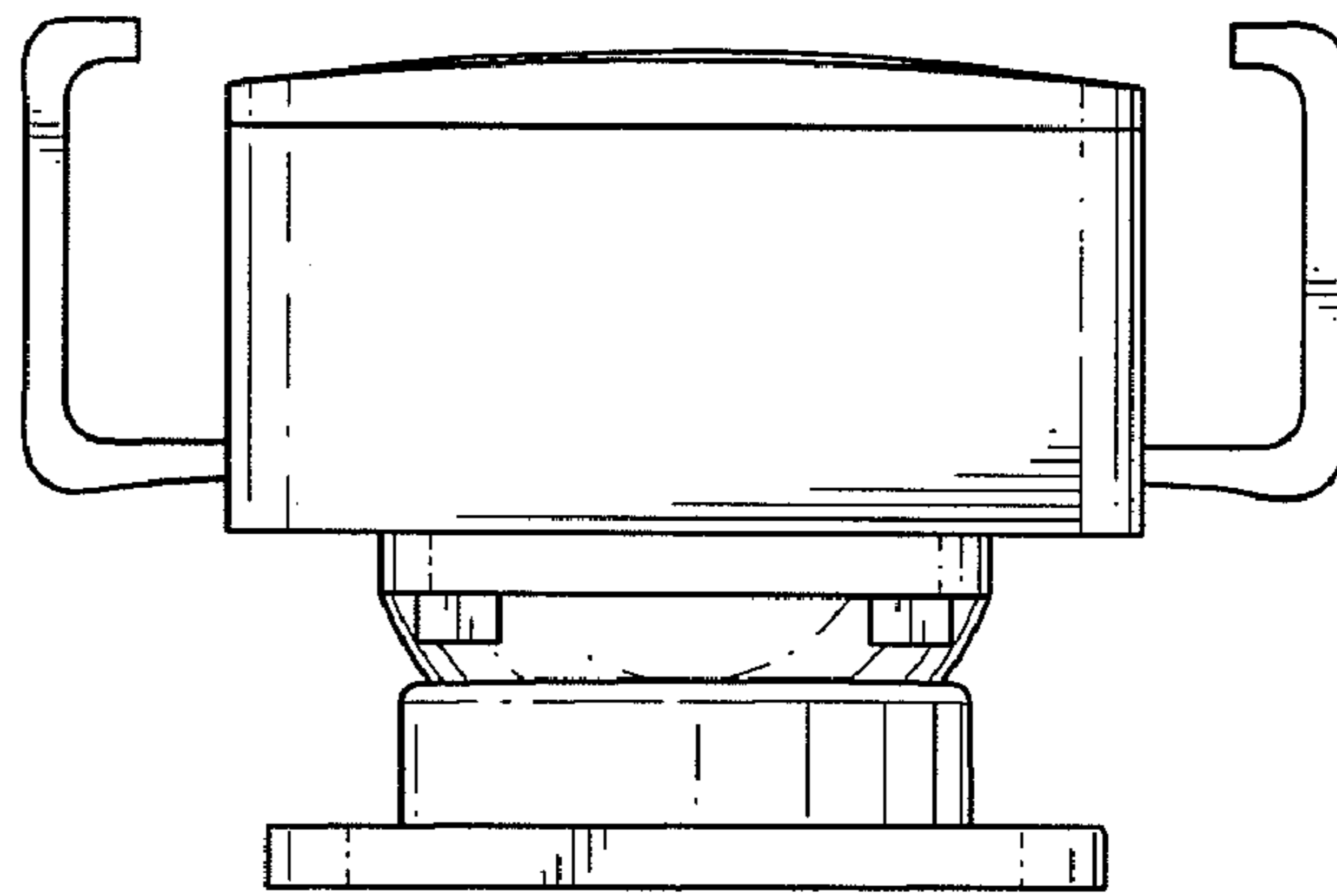


FIG. 7