



US00D590182S

(12) **United States Design Patent**
Hwang

(10) **Patent No.:** **US D590,182 S**
(45) **Date of Patent:** **** Apr. 14, 2009**

(54) **NOTEBOOK STAND**

D507,710 S * 7/2005 Fletcher et al. D6/487
D510,670 S * 10/2005 Glass et al. D6/487

(75) Inventor: **Martin Hwang**, Taipei (TW)

* cited by examiner

(73) Assignee: **Aking Trading Co., Ltd.**, Taipei (TW)

Primary Examiner—Janice E Seeger

(**) Term: **14 Years**

(74) *Attorney, Agent, or Firm*—Troxell Law Office PLLC

(21) Appl. No.: **29/290,451**

(57) **CLAIM**

(22) Filed: **Dec. 7, 2007**

The ornamental design for notebook stand, as shown and described.

(51) **LOC (9) Cl.** **06-03**

(52) **U.S. Cl.** **D6/420; D6/480; D6/425**

(58) **Field of Classification Search** D6/480–489,
D6/495–499, 429–431, 511, 419, 420, 406.3,
D6/40.5, 406.66; 108/150, 153.1, 156, 157.1,
108/161; 248/188, 188.1, 188.8
See application file for complete search history.

DESCRIPTION

(56) **References Cited**

U.S. PATENT DOCUMENTS

4,313,589 A * 2/1982 Vega 248/558
D376,931 S * 12/1996 Fewchuk D6/425
D380,727 S * 7/1997 Gilstrap D12/425
D390,376 S * 2/1998 Chang D6/424
D398,458 S * 9/1998 Martell D6/420
D404,219 S * 1/1999 Patterson D6/406.6

FIG. 1 is a perspective view of a notebook stand showing my new design;

FIG. 2 is a front elevational view thereof;

FIG. 3 is a rear elevational view thereof;

FIG. 4 is a top plan view thereof;

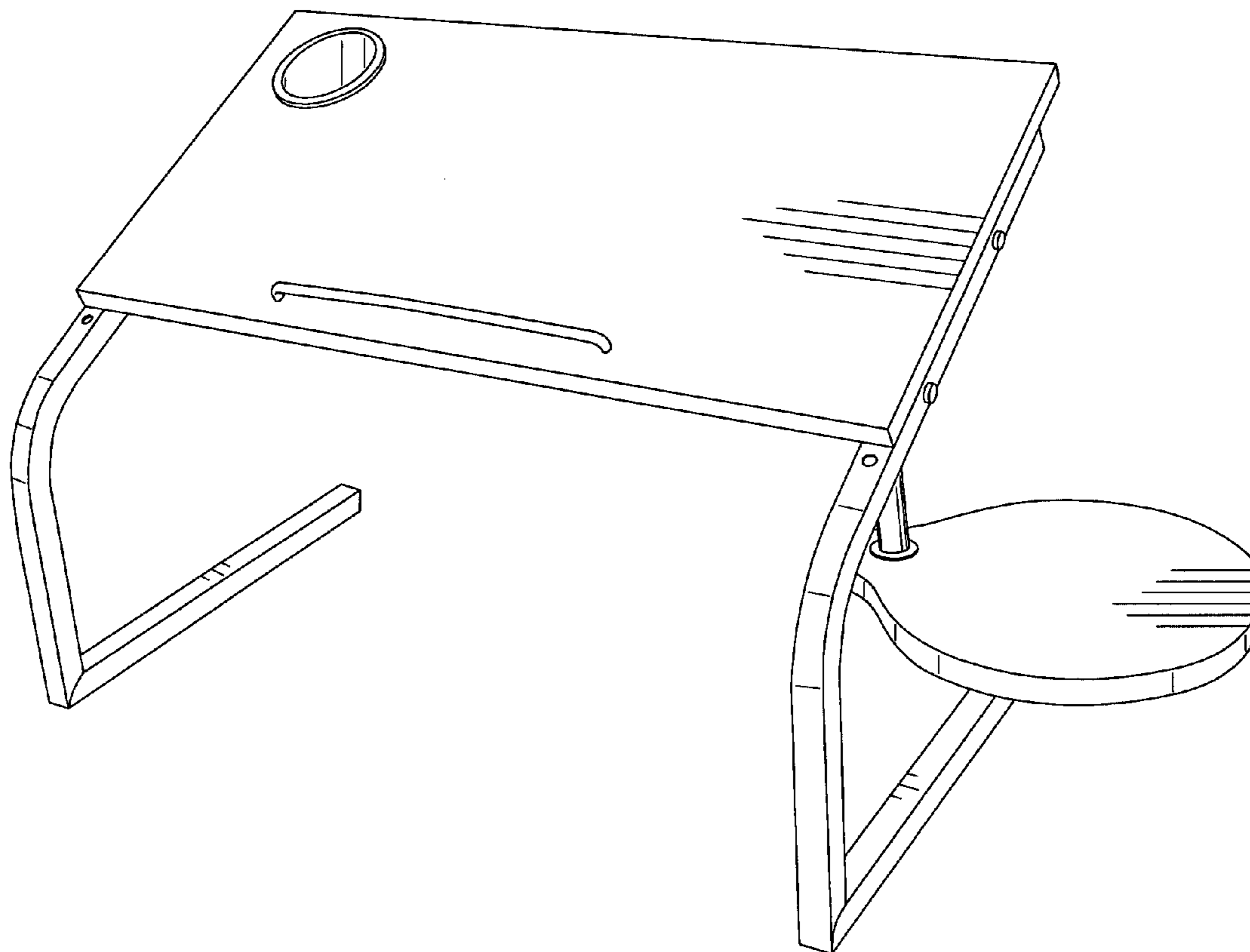
FIG. 5 is a bottom plan view thereof;

FIG. 6 is a left side elevational view thereof; and,

FIG. 7 is a right side elevational view thereof.

The broken lines are for environmental purposes only and form no part of the claimed design.

1 Claim, 7 Drawing Sheets



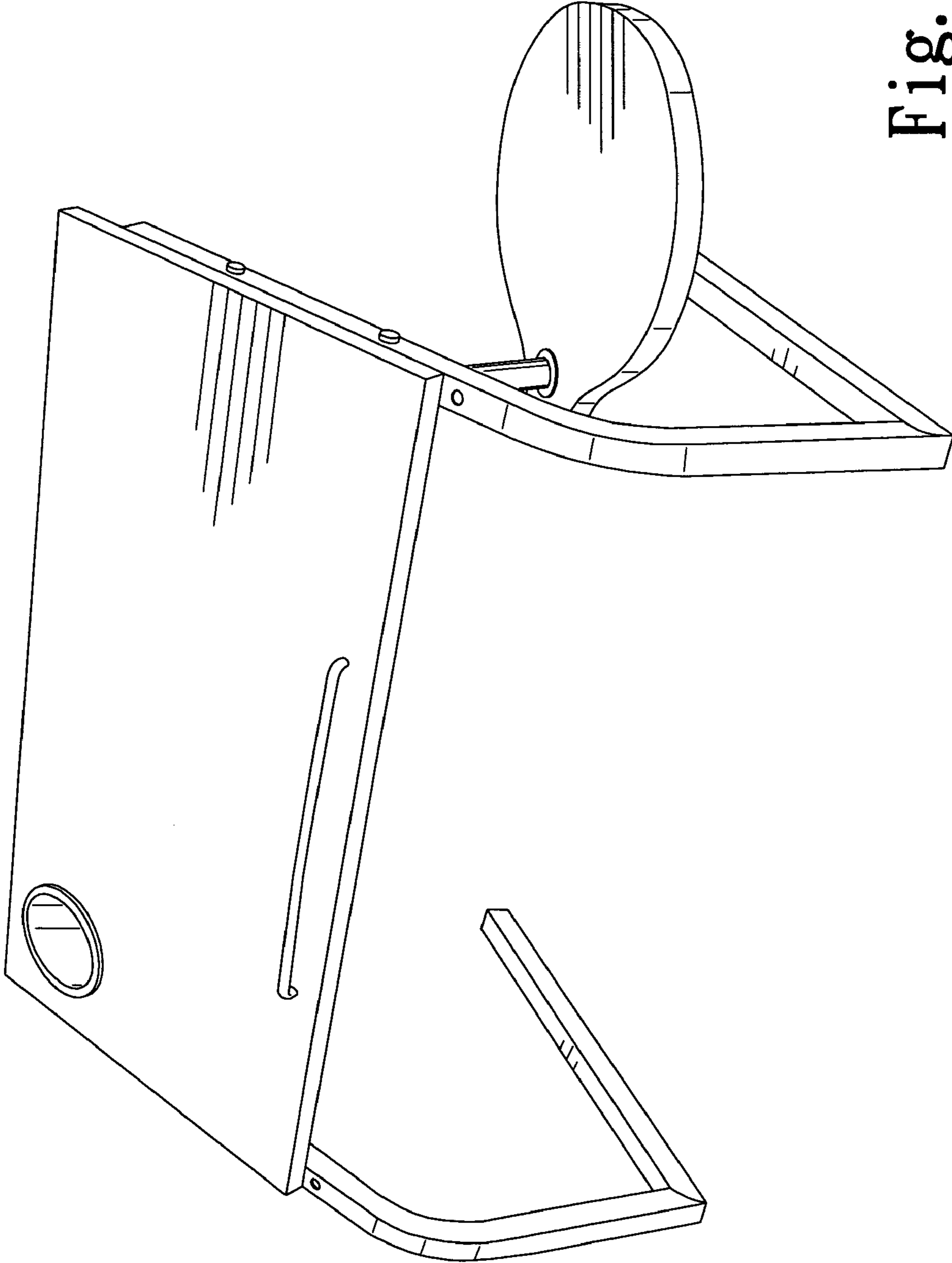


Fig. 1

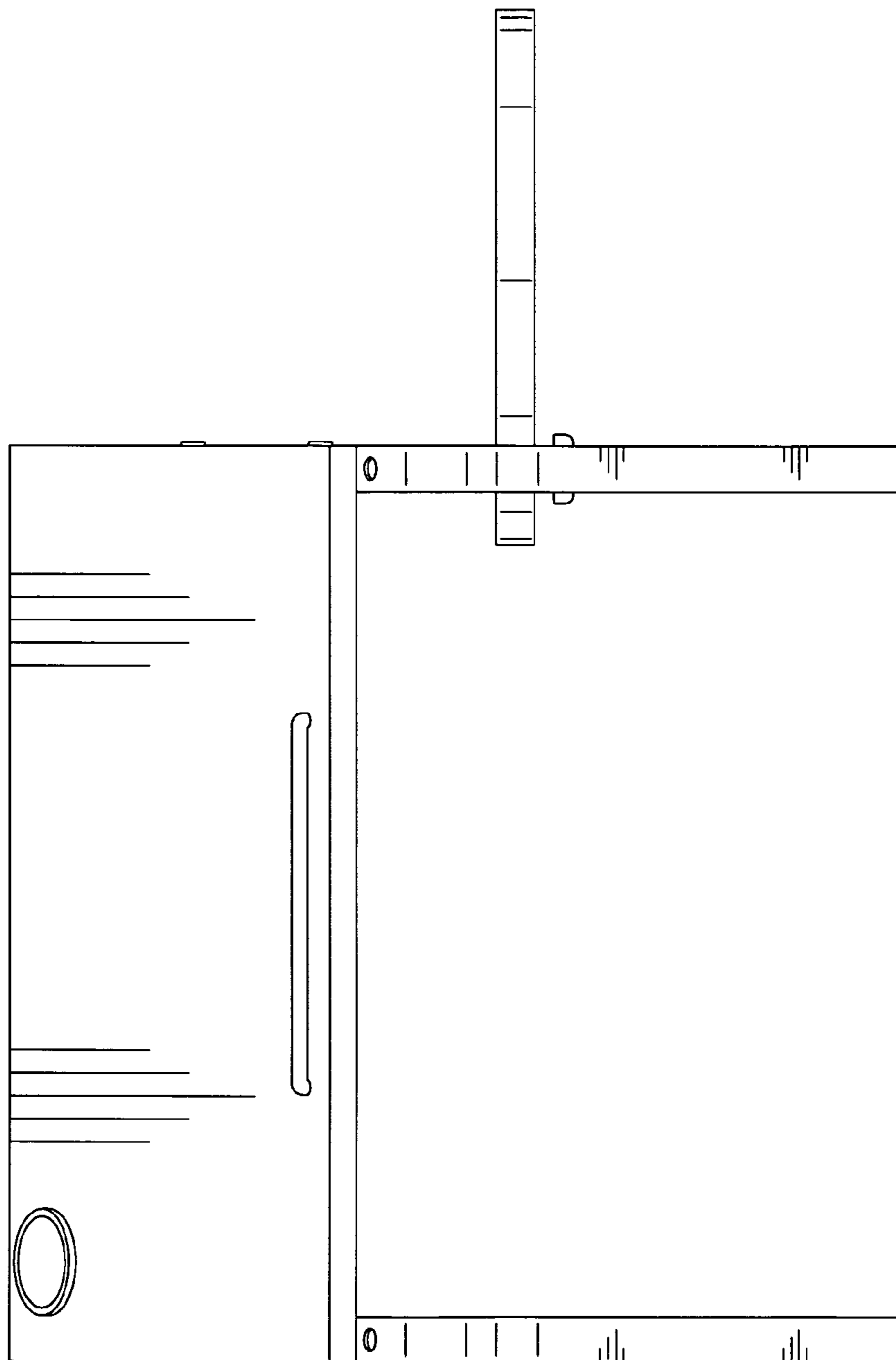


Fig. 2

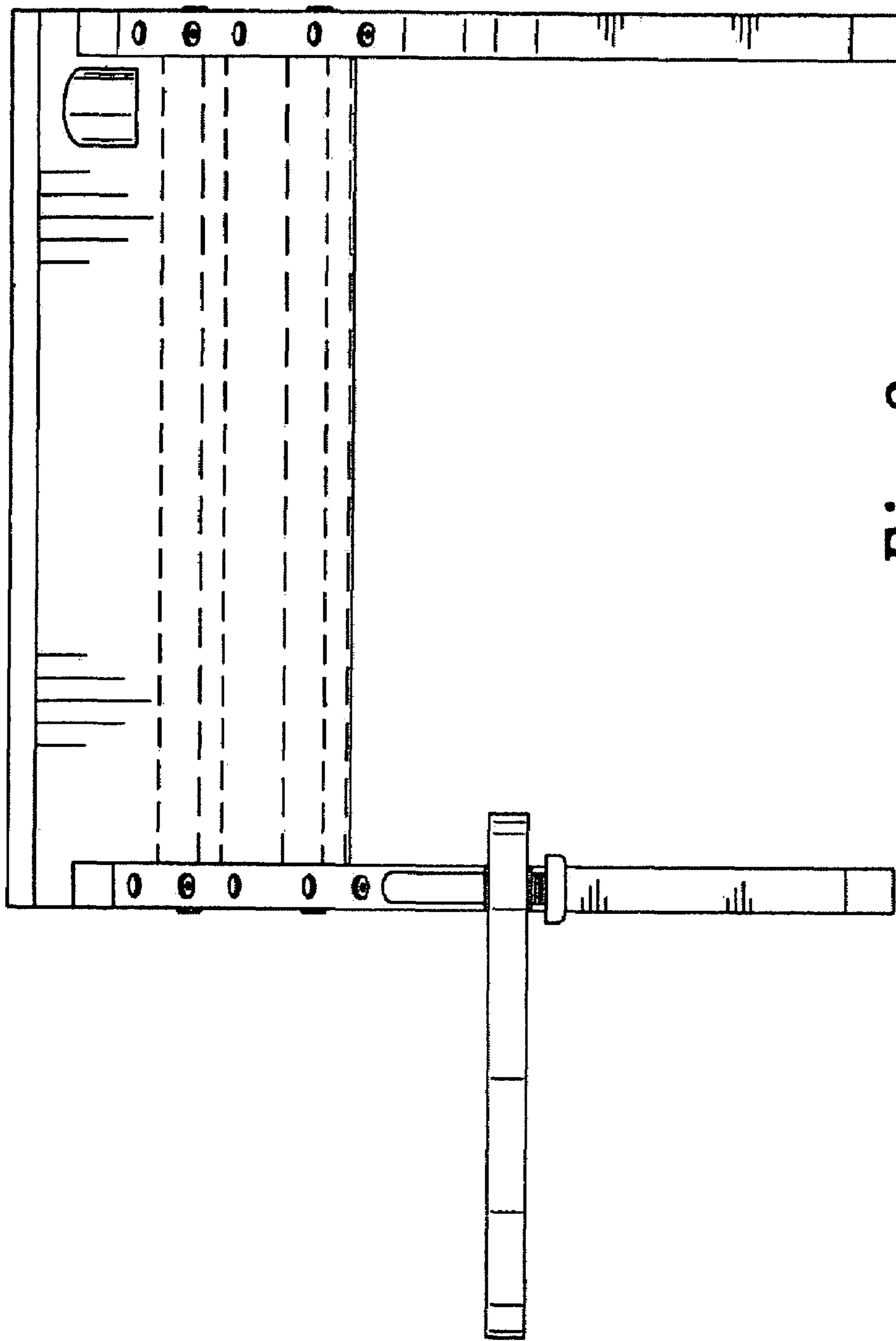


Fig. 3

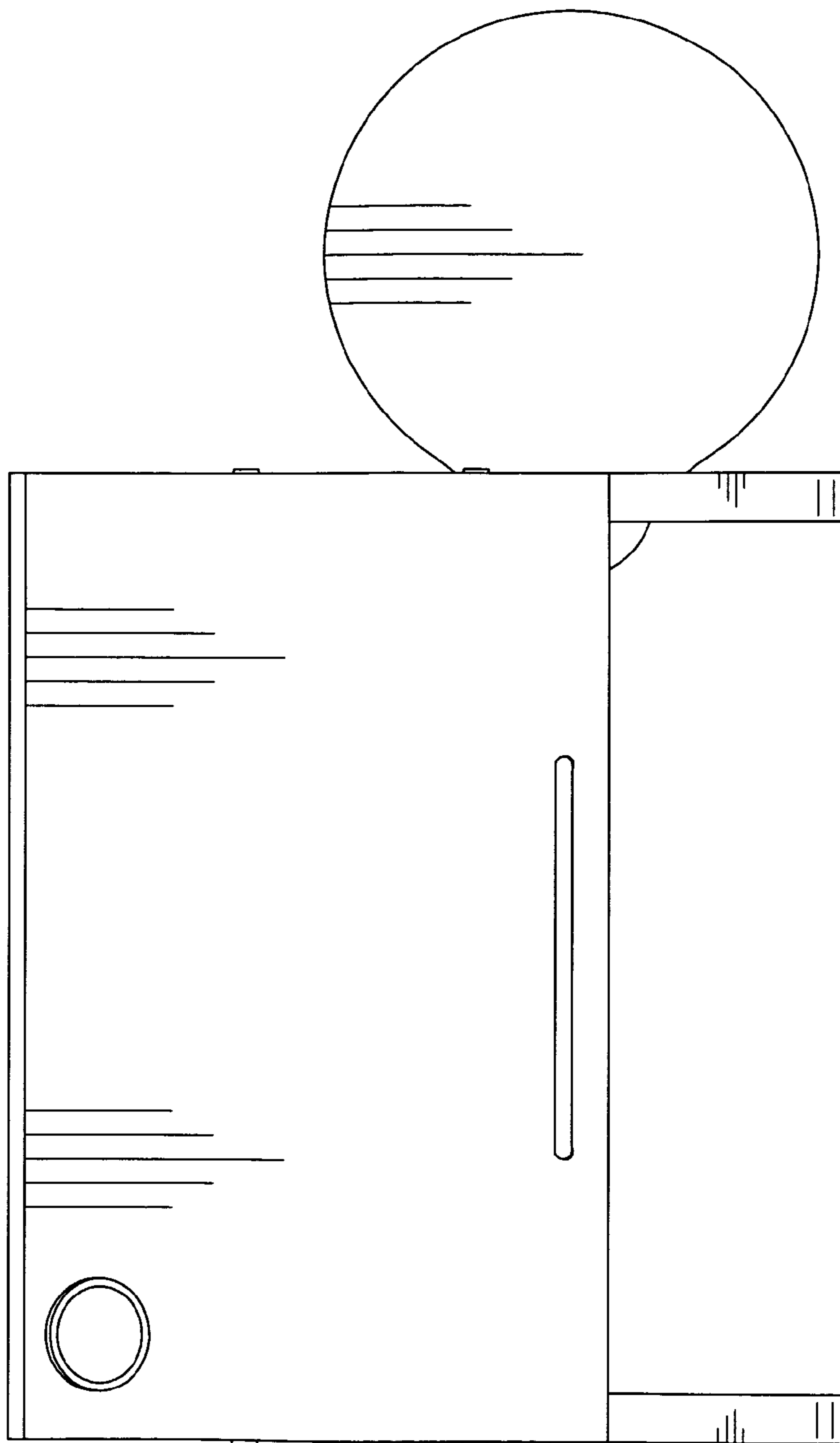


Fig. 4

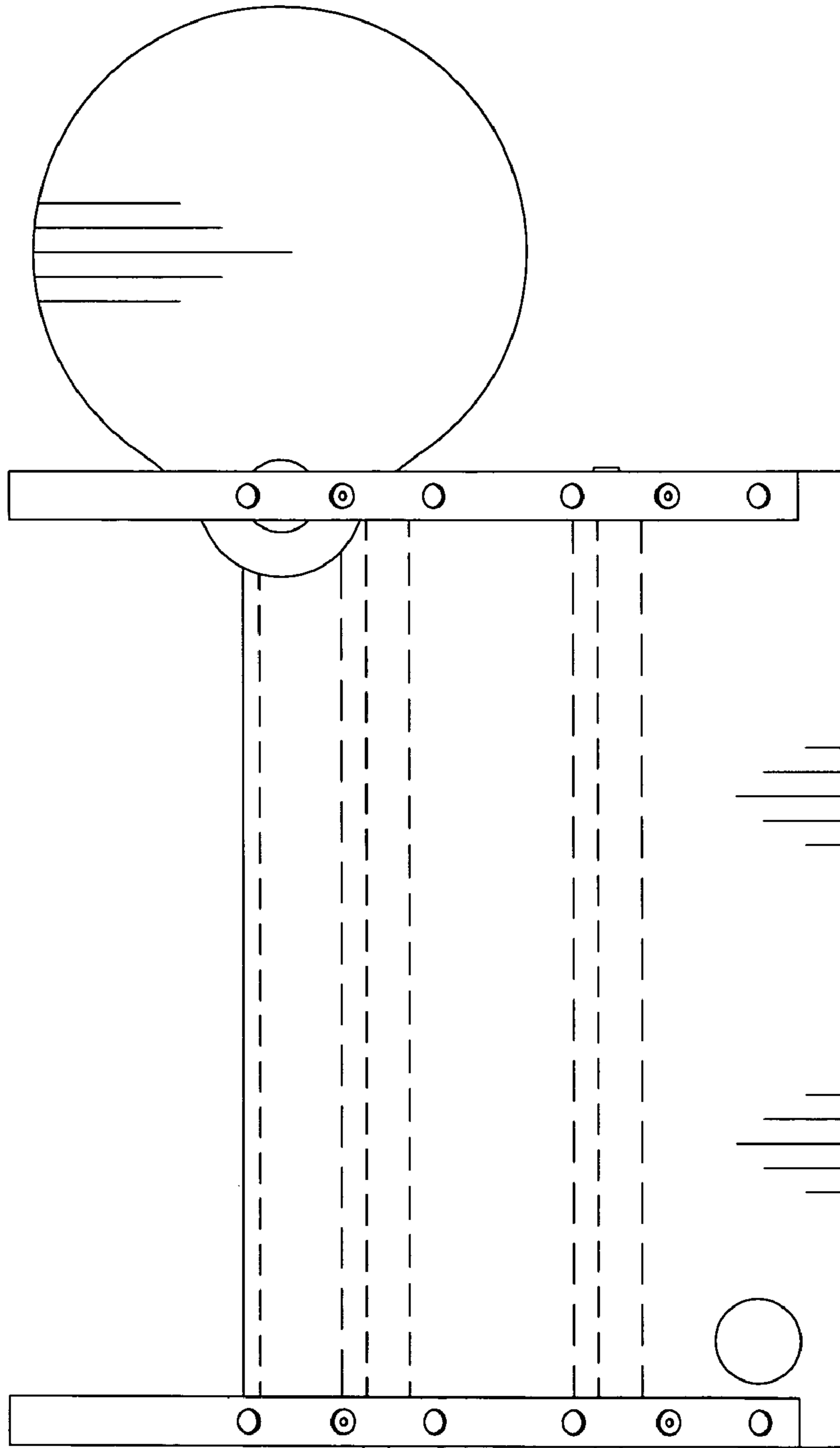


Fig. 5

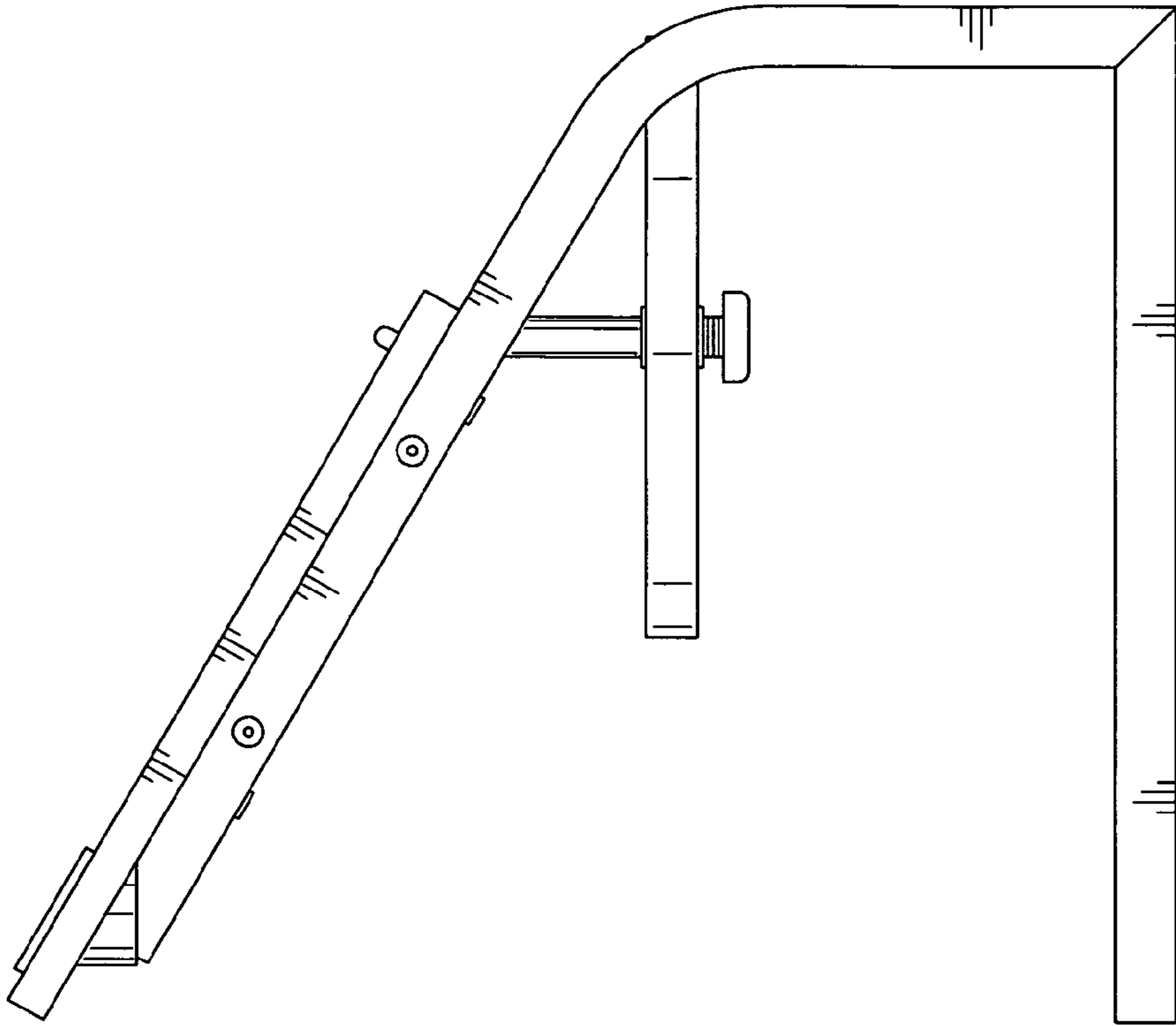


Fig. 6

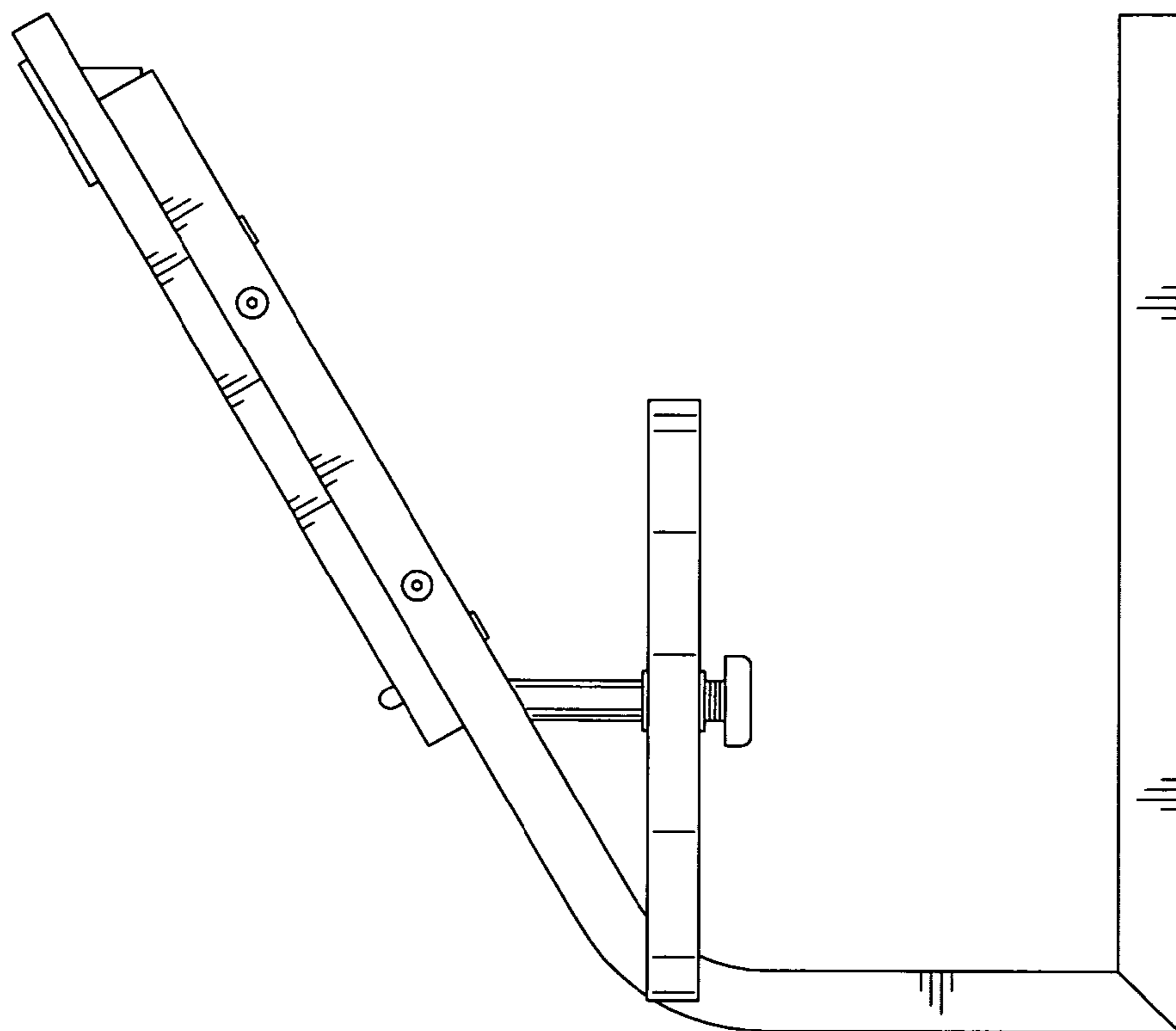


Fig. 7