



US00D590162S

(12) **United States Design Patent**
Simpson

(10) **Patent No.:** **US D590,162 S**

(45) **Date of Patent:** **** Apr. 14, 2009**

(54) **MODULAR SEAT**

(75) Inventor: **Steven Simpson**, Belfast (GB)

(73) Assignee: **University of Ulster**, Colerain, County Londonberry (GB)

(**) Term: **14 Years**

(21) Appl. No.: **29/322,509**

(22) Filed: **Aug. 6, 2008**

(30) **Foreign Application Priority Data**

Feb. 15, 2008 (EM) 000879325

(51) **LOC (9) Cl.** **06-01**

(52) **U.S. Cl.** **D6/367**

(58) **Field of Classification Search** D6/334-336,
D6/360, 361, 367, 368, 371, 373, 374, 379,
D6/380, 492, 500-502; 297/272.2, 353,
297/354.1, 411.2, 411.45, 445.1, 446.1

See application file for complete search history.

(56) **References Cited**

U.S. PATENT DOCUMENTS

D165,457 S *	12/1951	Hoven et al.	D6/368
D173,391 S *	11/1954	Sherman	D6/379
D278,668 S *	5/1985	Simpkins	D6/367
D482,884 S *	12/2003	Plant et al.	D6/368
D491,375 S *	6/2004	Yuyama	D6/335
D502,607 S *	3/2005	Miyake et al.	D6/367
D509,672 S *	9/2005	Nemeth et al.	D6/368
D536,896 S *	2/2007	Kawamura	D6/367

* cited by examiner

Primary Examiner—Mimosa De

(74) *Attorney, Agent, or Firm*—Porter, Wright, Morris & Arthur, LLP

(57) **CLAIM**

The ornamental design for a modular seat, as shown and described.

DESCRIPTION

FIG. 1 is a front perspective view of a modular seat according to my new design;

FIG. 2 is a rear perspective view of the modular seat of FIG. 1;

FIG. 3 is a left side elevational view of the modular seat of FIGS. 1 and 2, the right side elevational view being the mirror image thereof;

FIG. 4 is a front elevational view of the modular seat of FIGS. 1 to 3;

FIG. 5 is a rear elevational view of the modular seat of FIGS. 1 to 4;

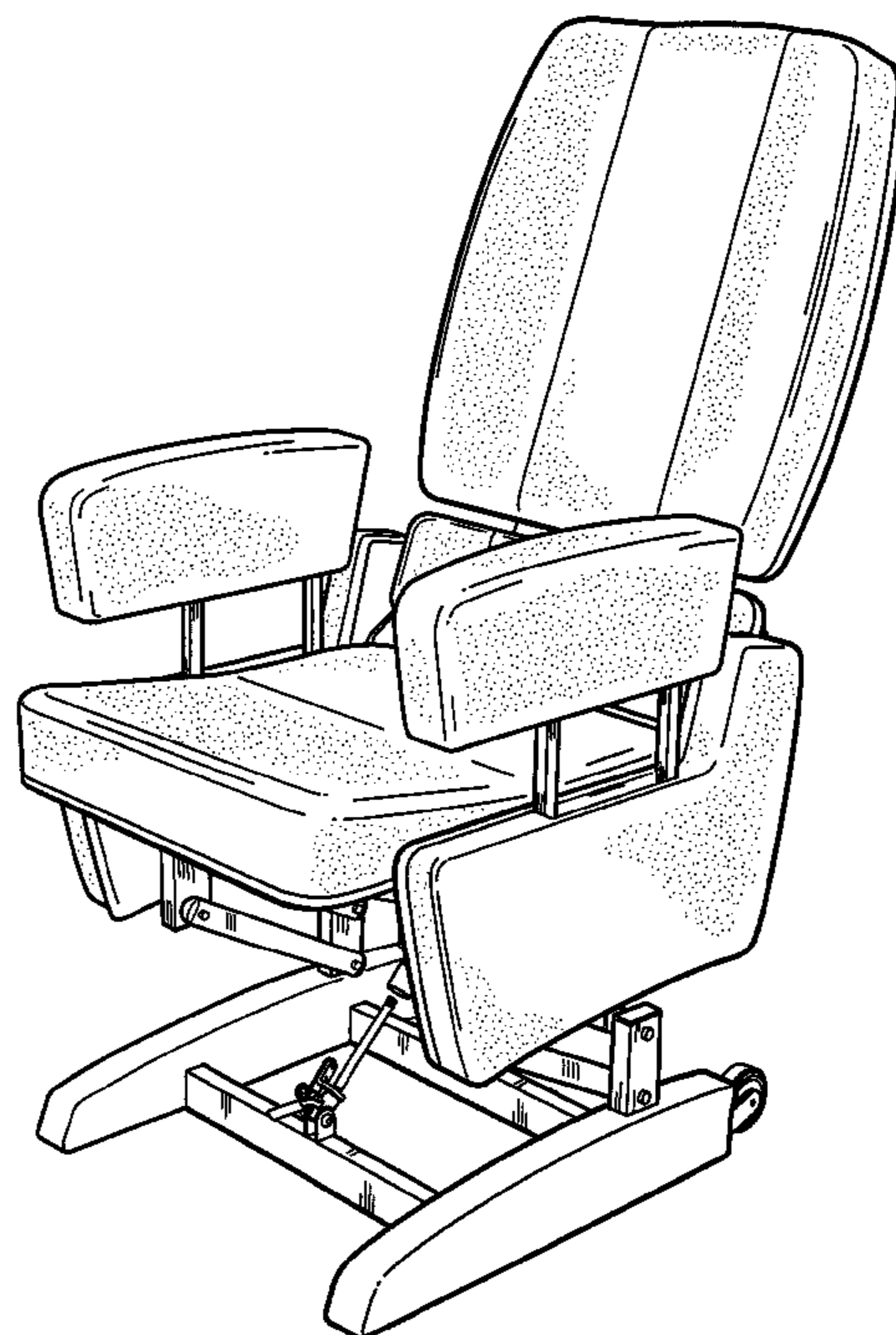
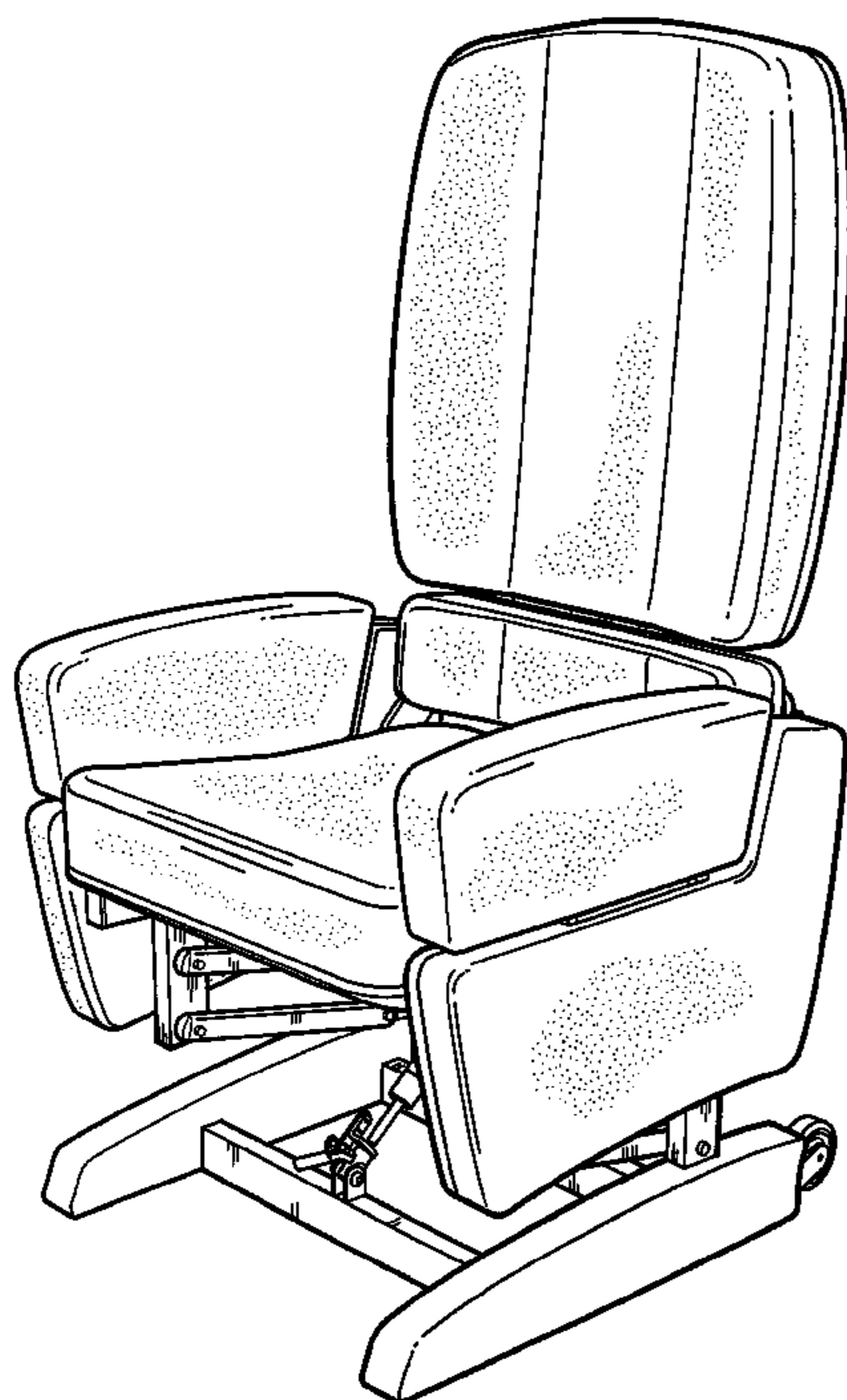
FIG. 6 is a top plan view of the modular seat of FIGS. 1 to 5;

FIG. 7 is a bottom plan view of the modular seat of FIGS. 1 to 6;

FIG. 8 is an alternate front perspective view of a modular seat of my new design, wherein arm rests are raised; and,

FIG. 9 is another alternate front perspective view of a modular seat of my new design, wherein an arm rest is removed.

1 Claim, 8 Drawing Sheets



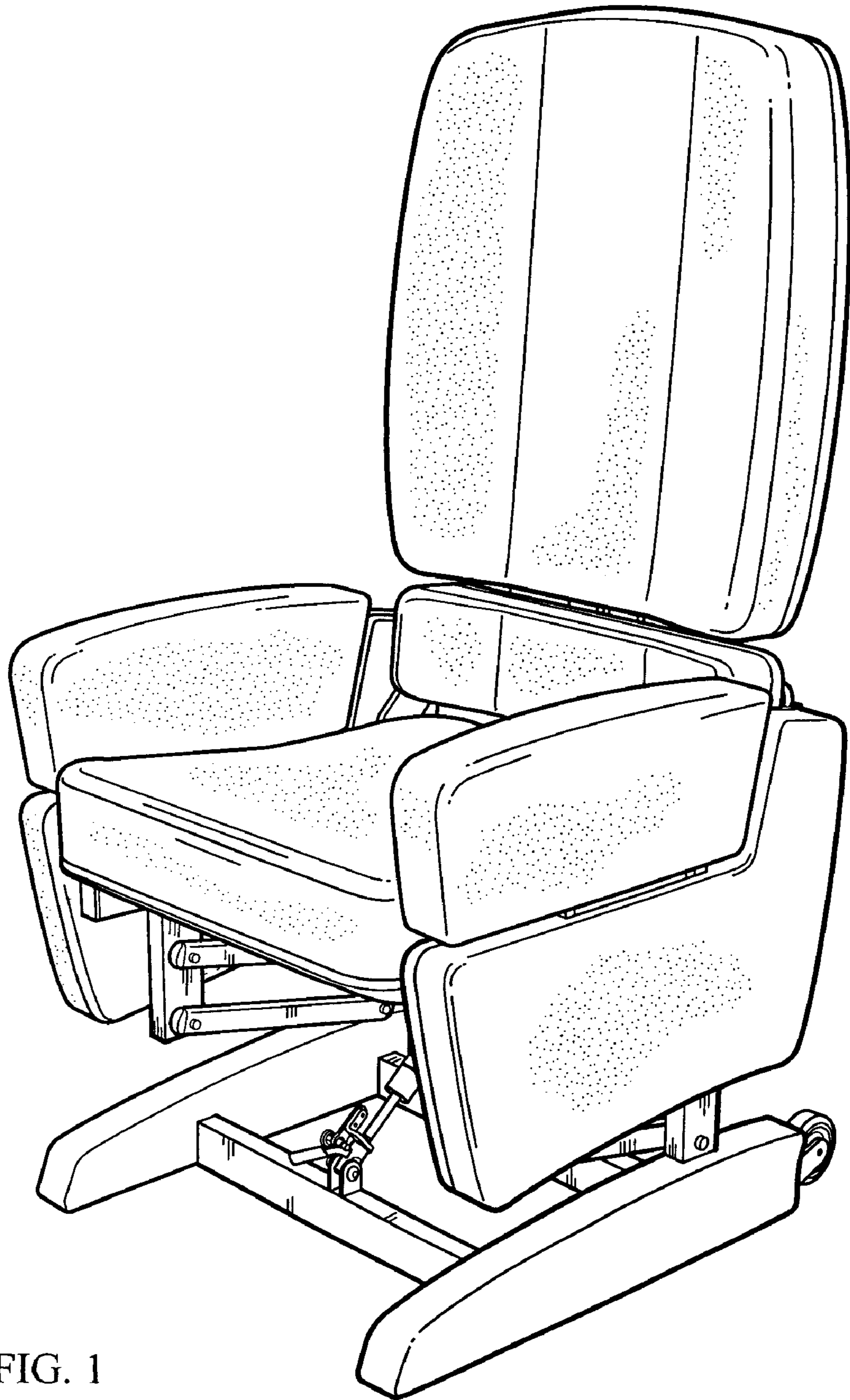


FIG. 1

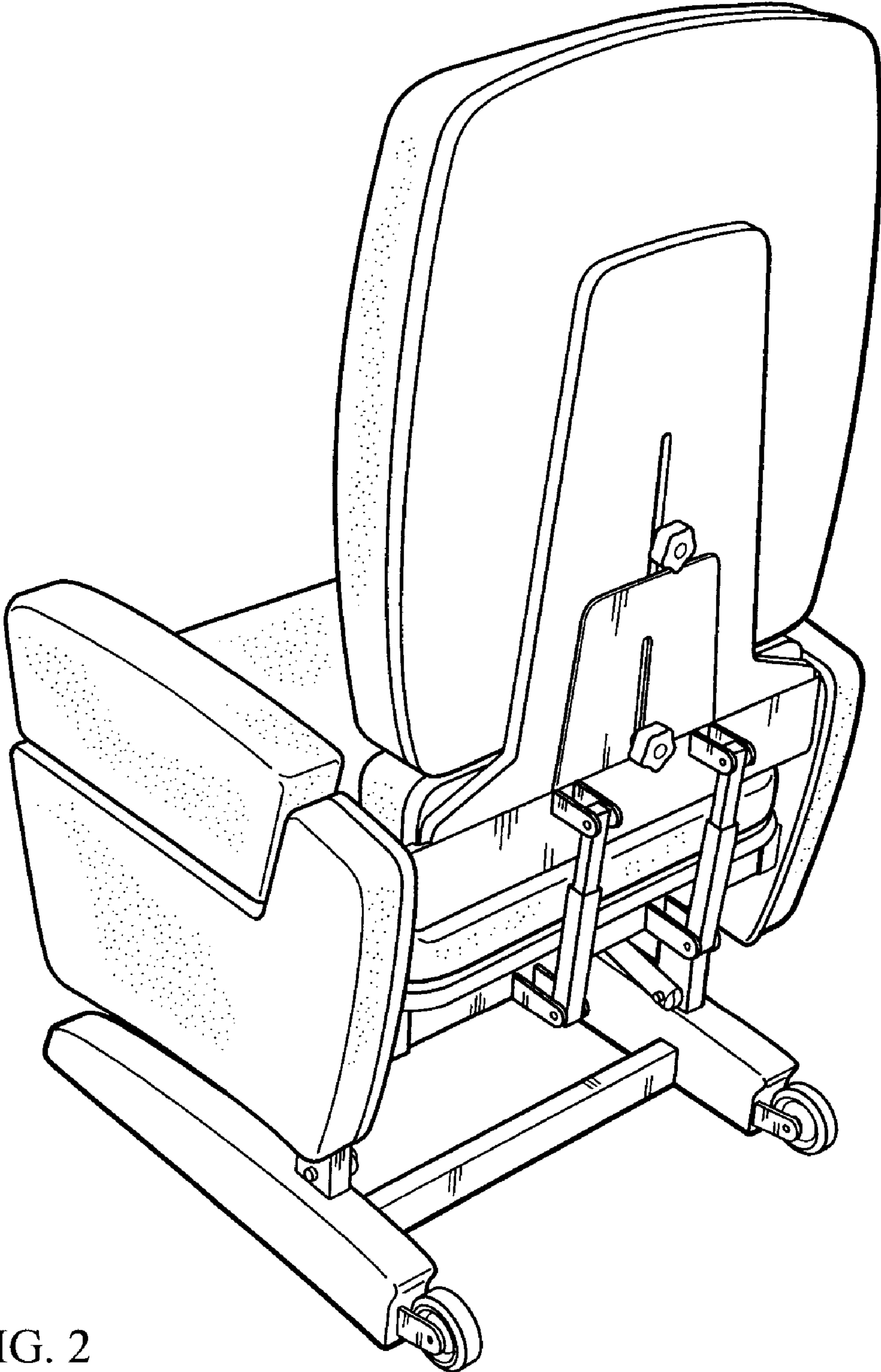


FIG. 2

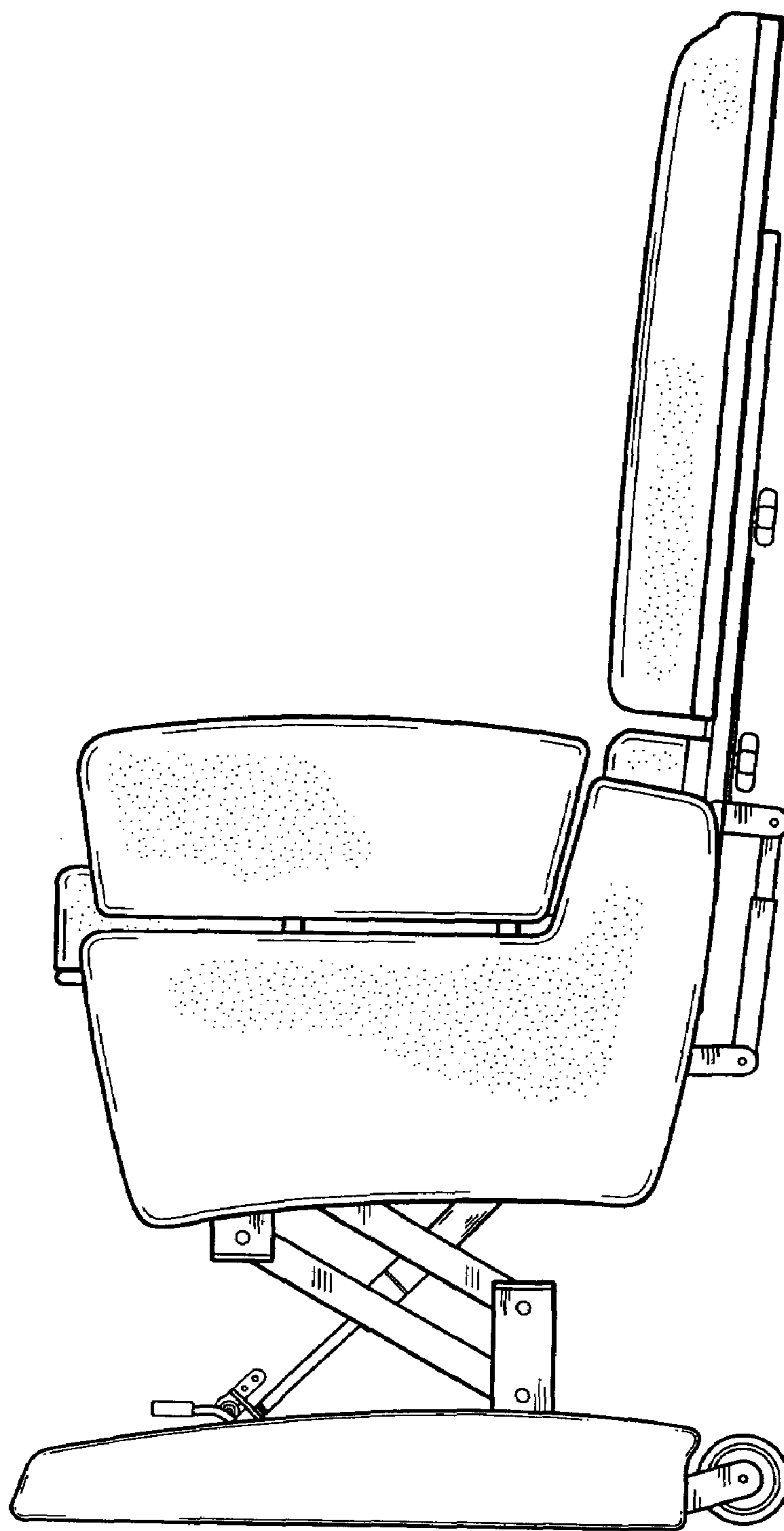


FIG. 3

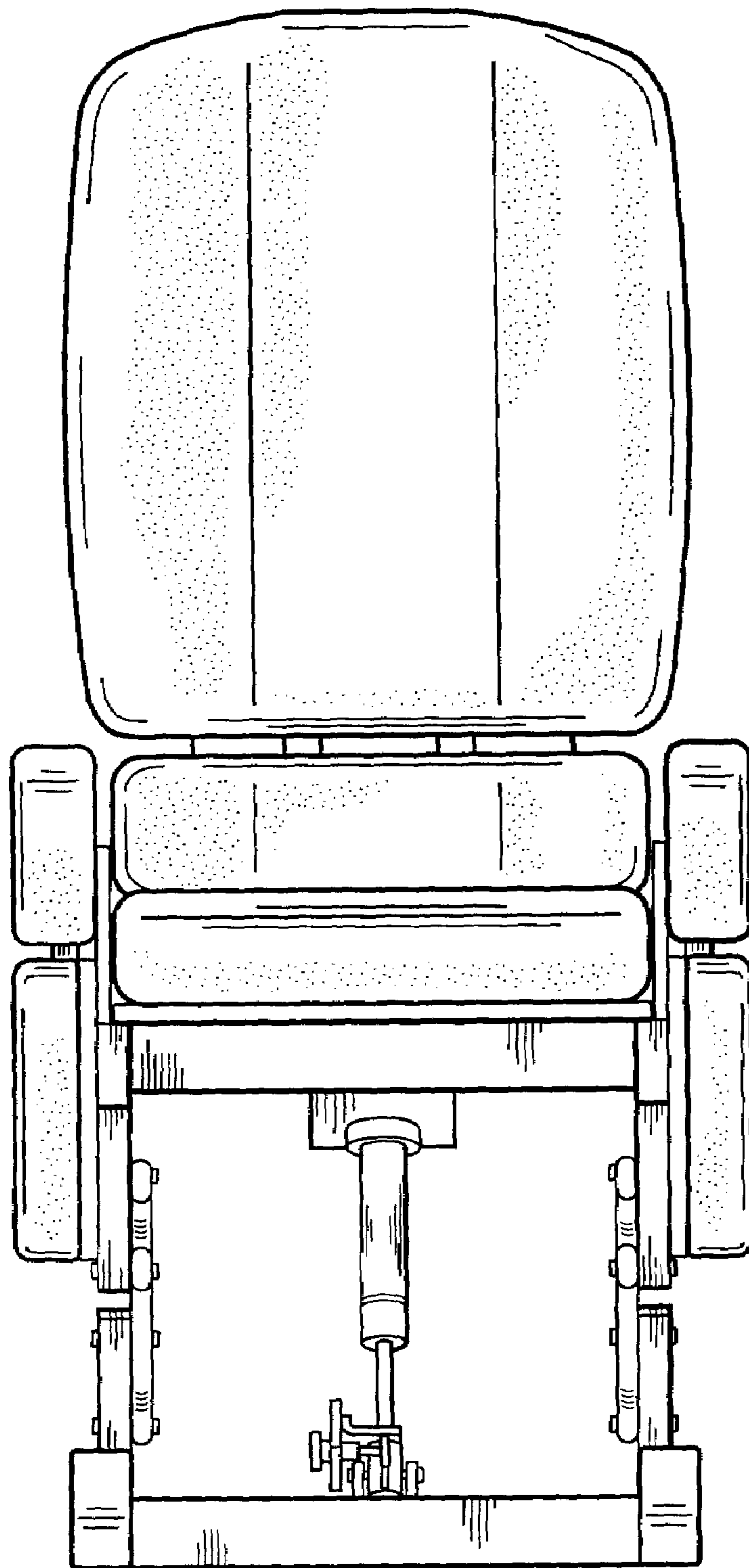


FIG. 4

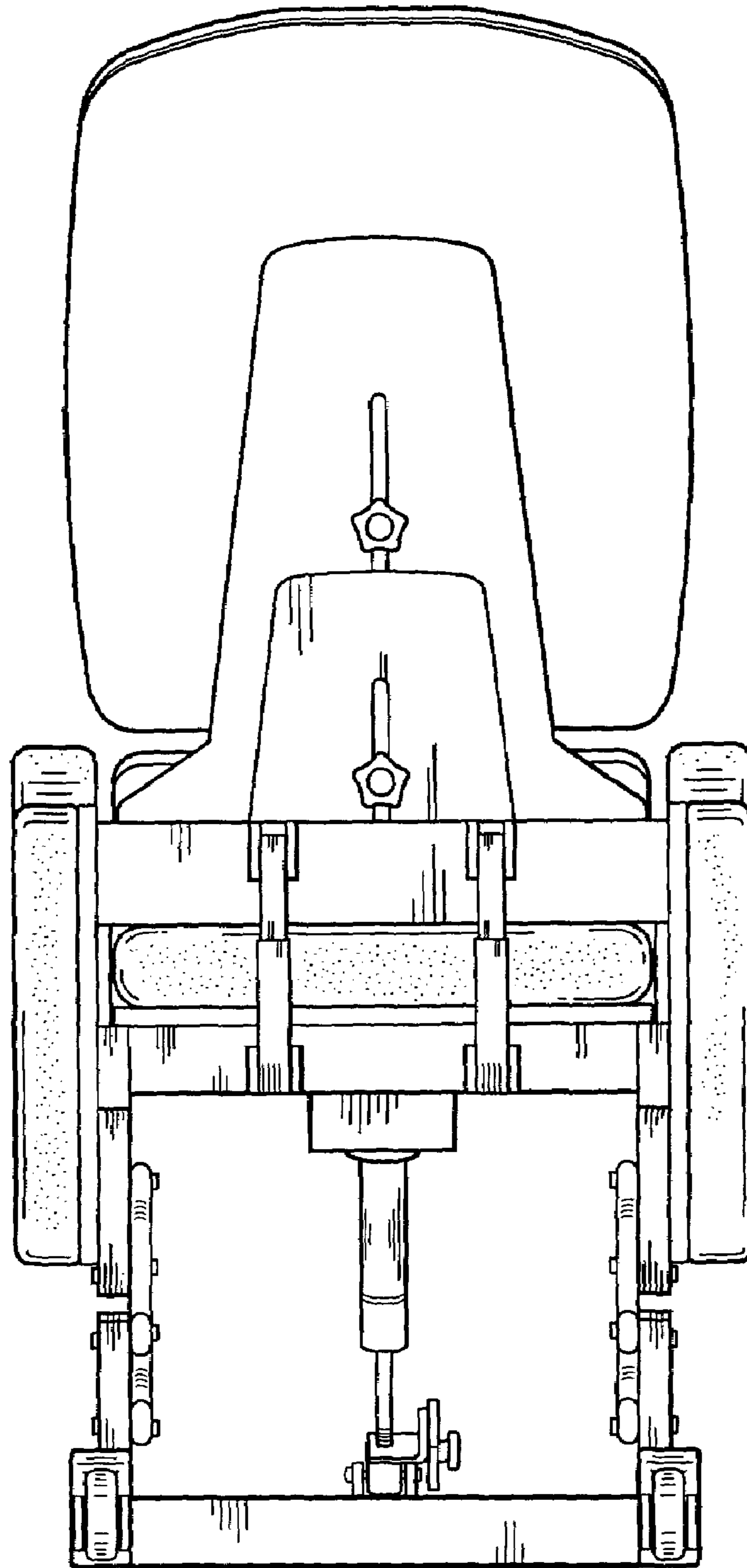


FIG. 5

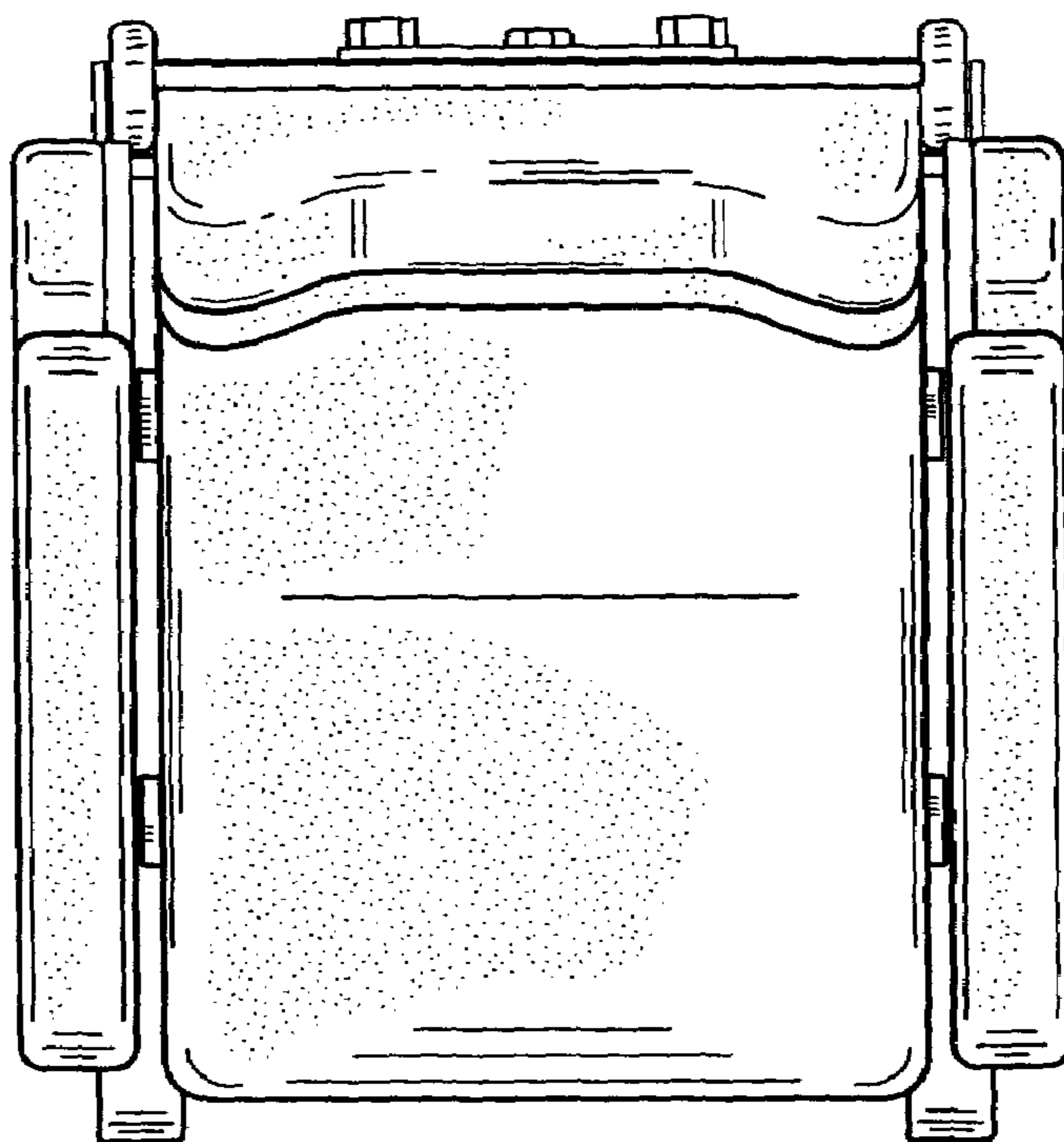


FIG. 6

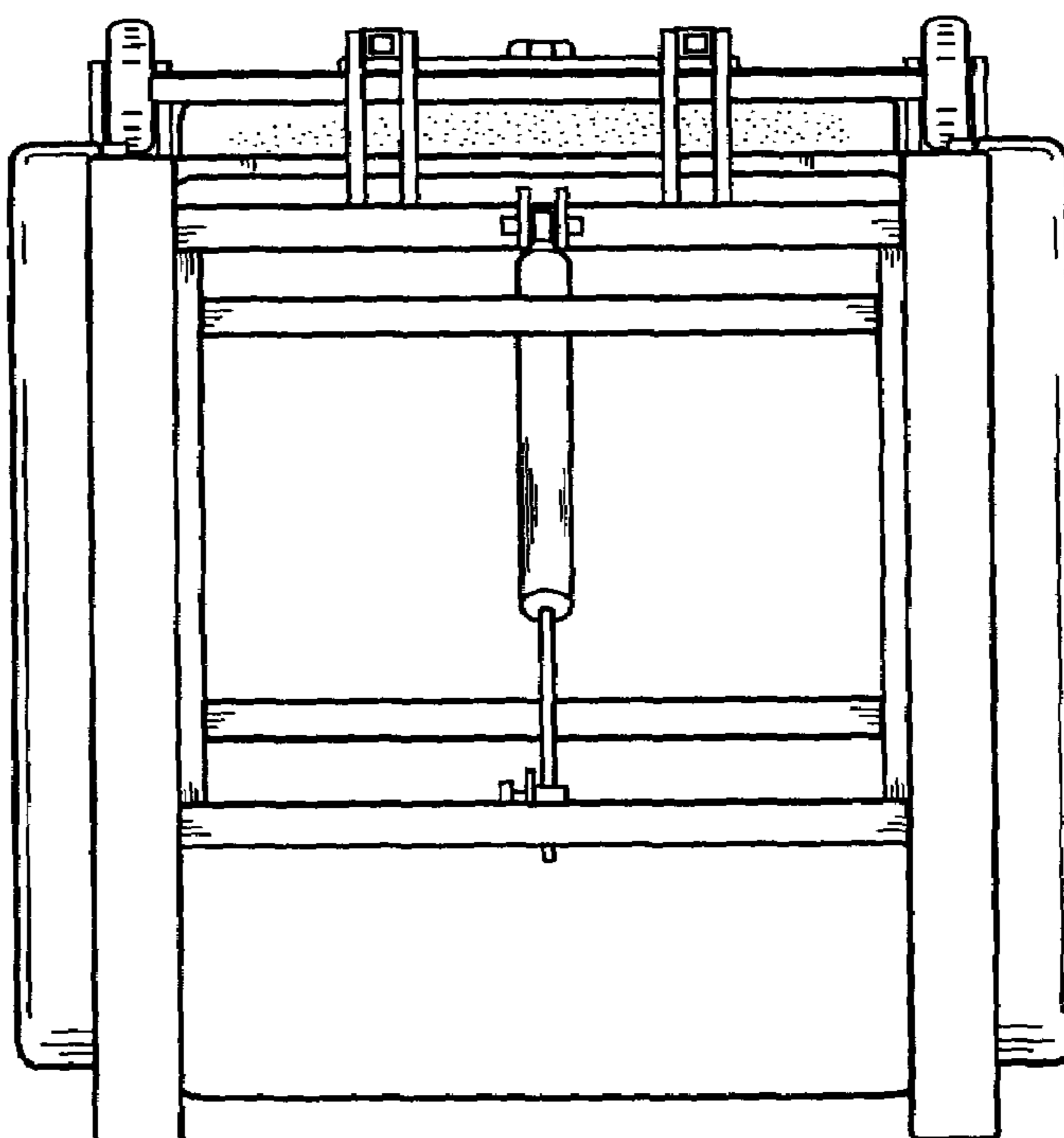


FIG. 7

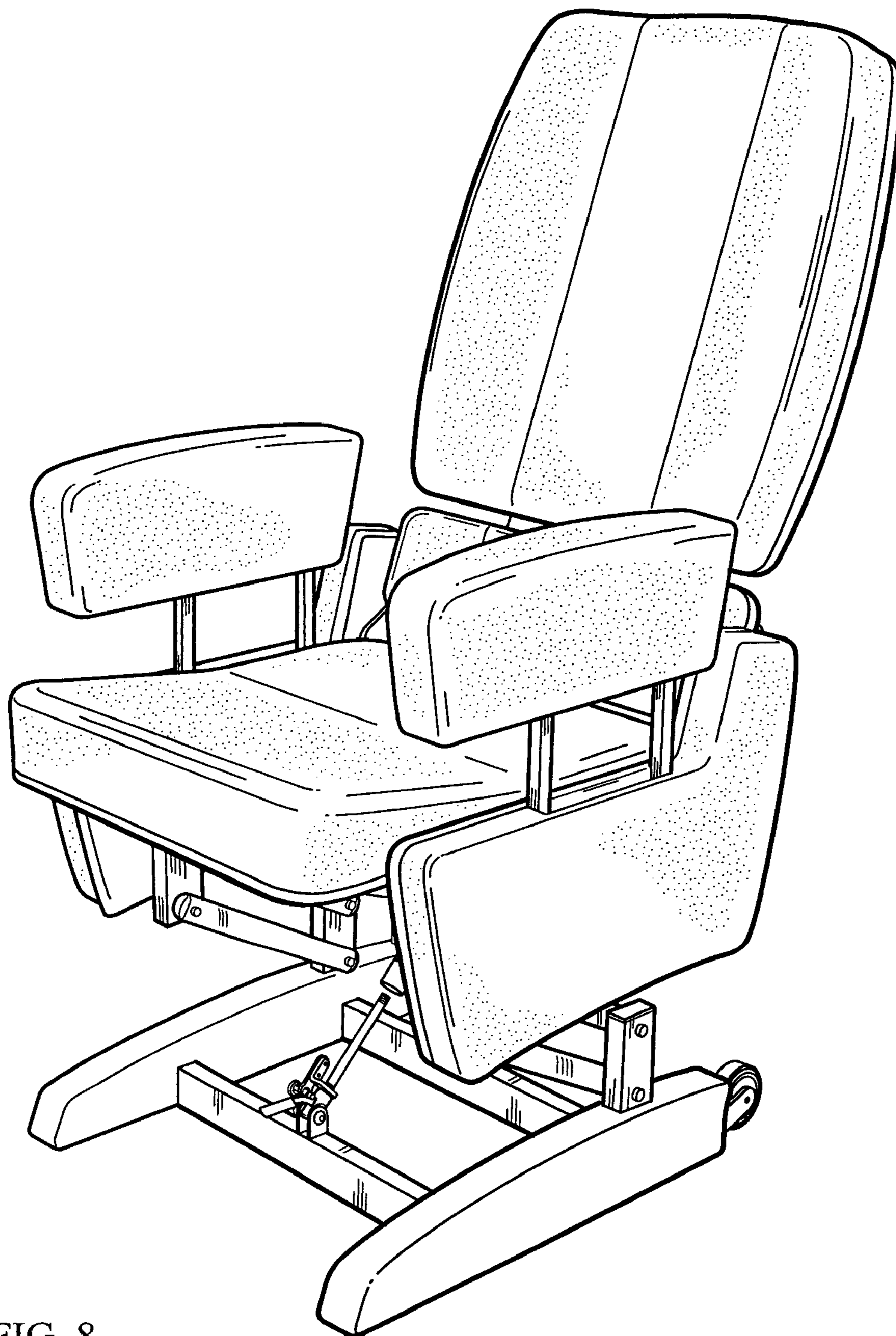


FIG. 8

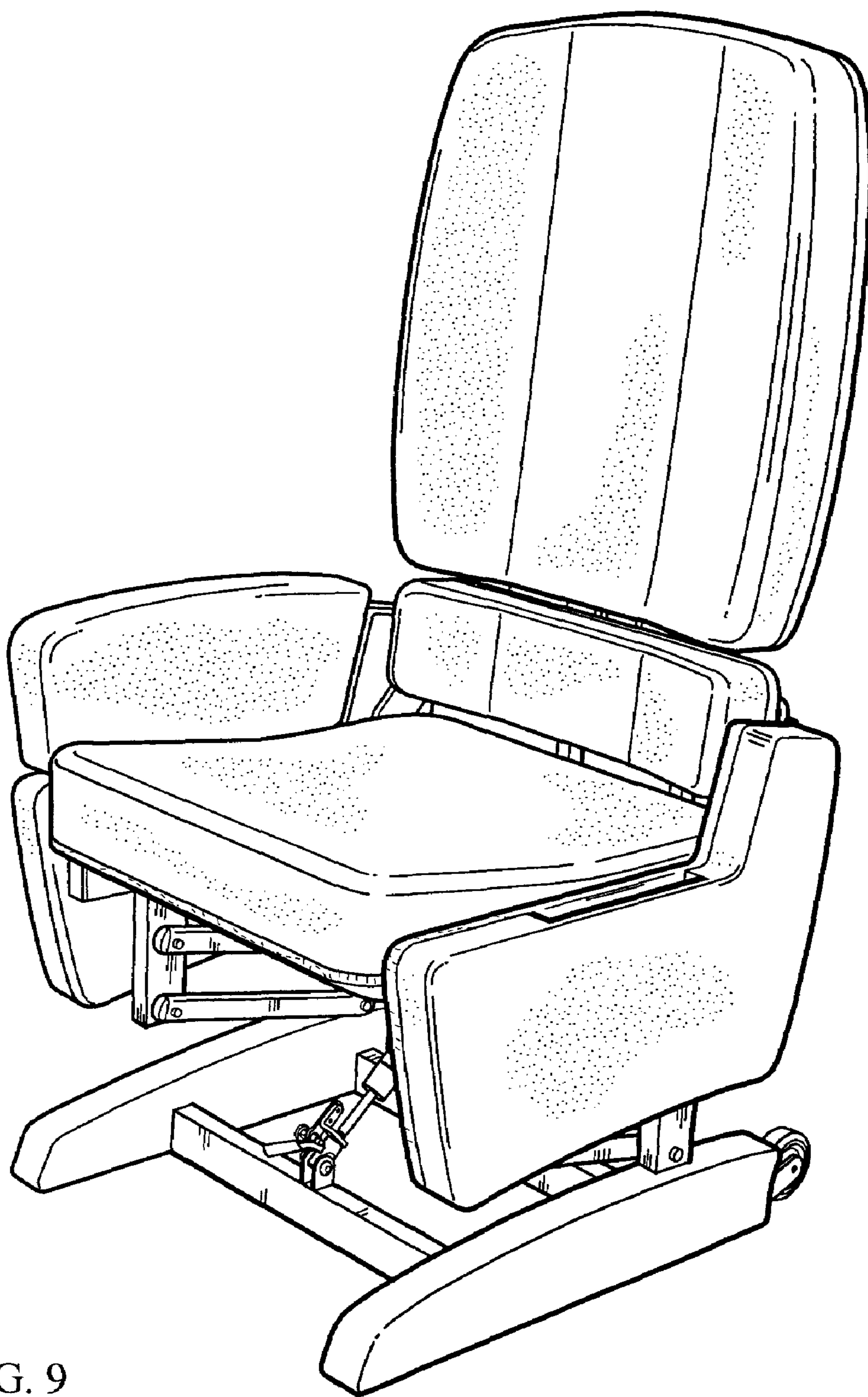


FIG. 9