



US00D590155S

(12) **United States Design Patent**
Chen

(10) **Patent No.:** **US D590,155 S**
(45) **Date of Patent:** **** Apr. 14, 2009**

(54) **TOOL BOX**

(75) Inventor: **Tai-Hung Chen**, Chang Hua Hsien
(TW)

(73) Assignee: **Infar Industrial Co., Ltd.**, Chang Hua
Hsien (TW)

(**) Term: **14 Years**

(21) Appl. No.: **29/305,854**

(22) Filed: **Mar. 28, 2008**

(51) **LOC (9) Cl.** **03-01**

(52) **U.S. Cl.** **D3/282; D3/905**

(58) **Field of Classification Search** D3/201,
D3/228, 273-274, 276, 282, 294-295, 315,
D3/905; 206/349, 372-379

See application file for complete search history.

(56) **References Cited**

U.S. PATENT DOCUMENTS

D422,787 S *	4/2000	Feng	D3/273
D525,791 S *	8/2006	Chang	D3/315
7,168,559 B2 *	1/2007	Chen	206/373
D537,253 S *	2/2007	Chen	D3/315
D551,456 S *	9/2007	Singh et al.	D3/315
D571,552 S *	6/2008	Chen	D3/201

D579,204 S *	10/2008	Chen	D3/315
7,434,688 B2 *	10/2008	Hu	206/377
2006/0175217 A1 *	8/2006	Hu	206/373
2008/0149678 A1 *	6/2008	Huang	224/666

* cited by examiner

Primary Examiner—Robert M Spear

Assistant Examiner—Roselyne Cody

(74) *Attorney, Agent, or Firm*—WPAT, P.C.; Anthony King

(57) **CLAIM**

The ornamental design for a tool box, as shown and described.

DESCRIPTION

FIG. 1 is a perspective view of a tool box showing my new design;

FIG. 2 is a front view thereof;

FIG. 3 is a rear view thereof;

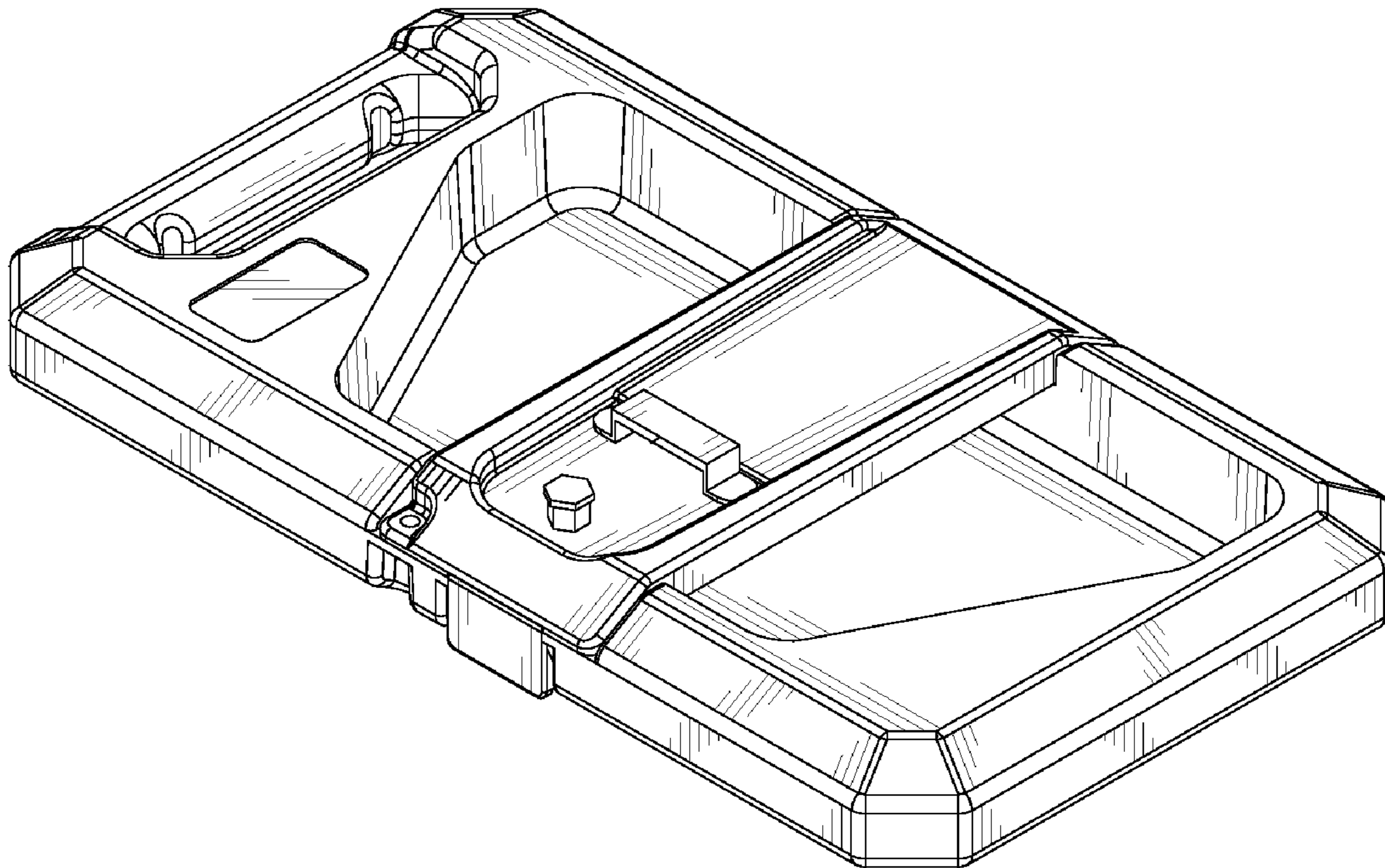
FIG. 4 is a left view thereof;

FIG. 5 is a right view thereof;

FIG. 6 is a top view thereof; and,

FIG. 7 is a bottom view thereof.

1 Claim, 3 Drawing Sheets



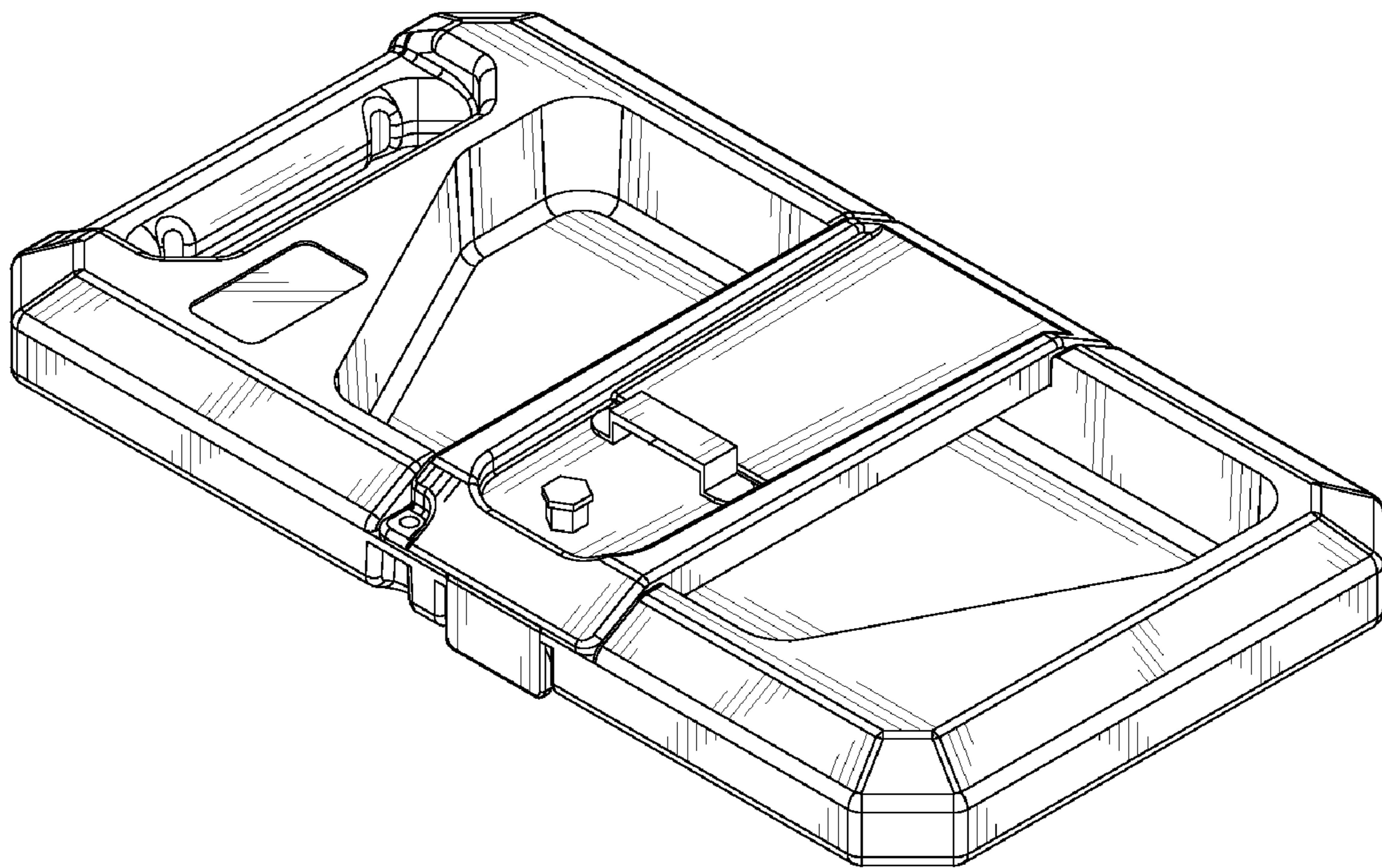


Fig. 1

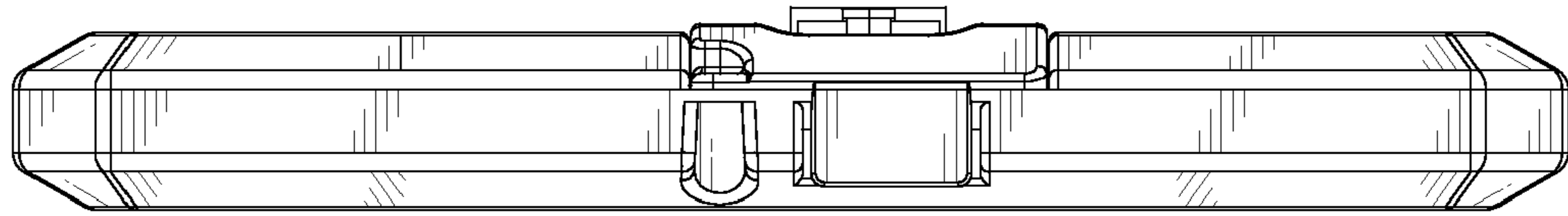


Fig. 2

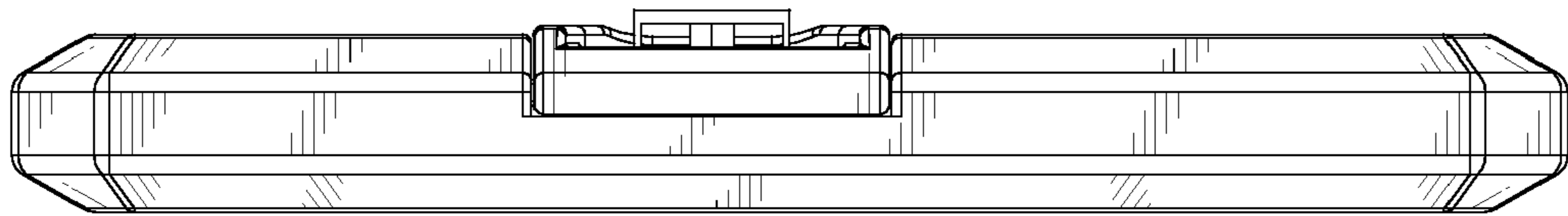


Fig. 3

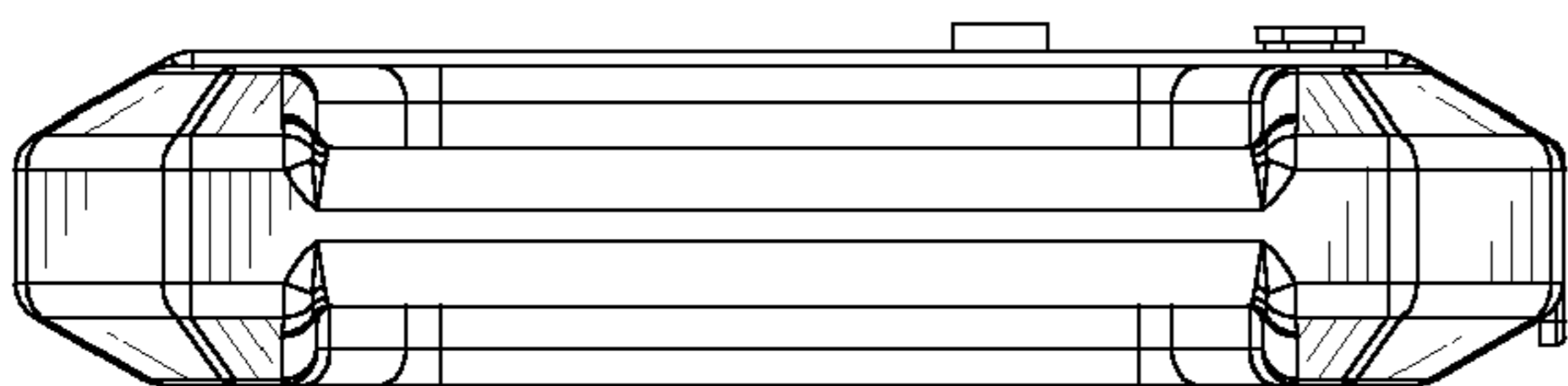


Fig. 4

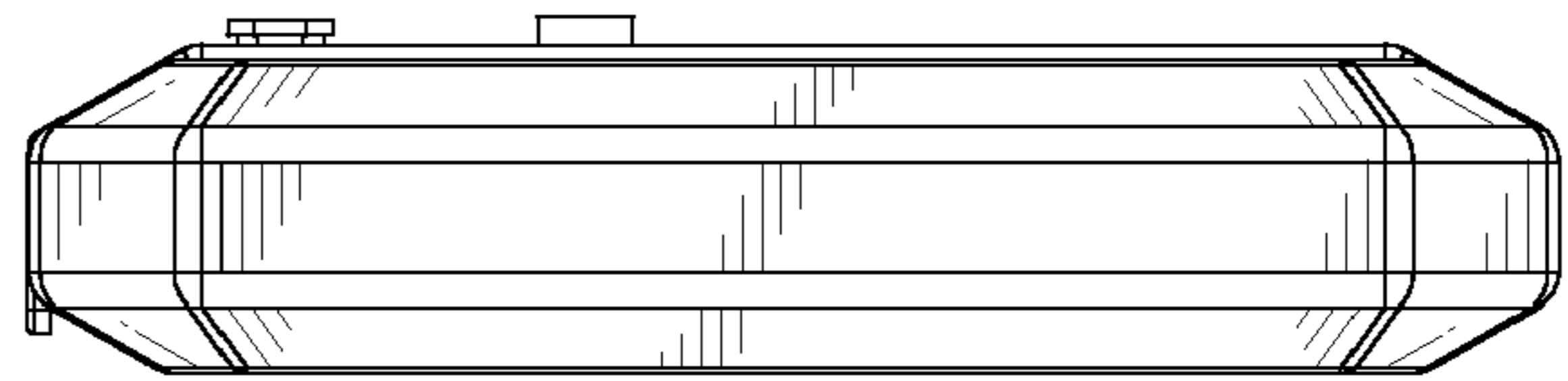


Fig. 5

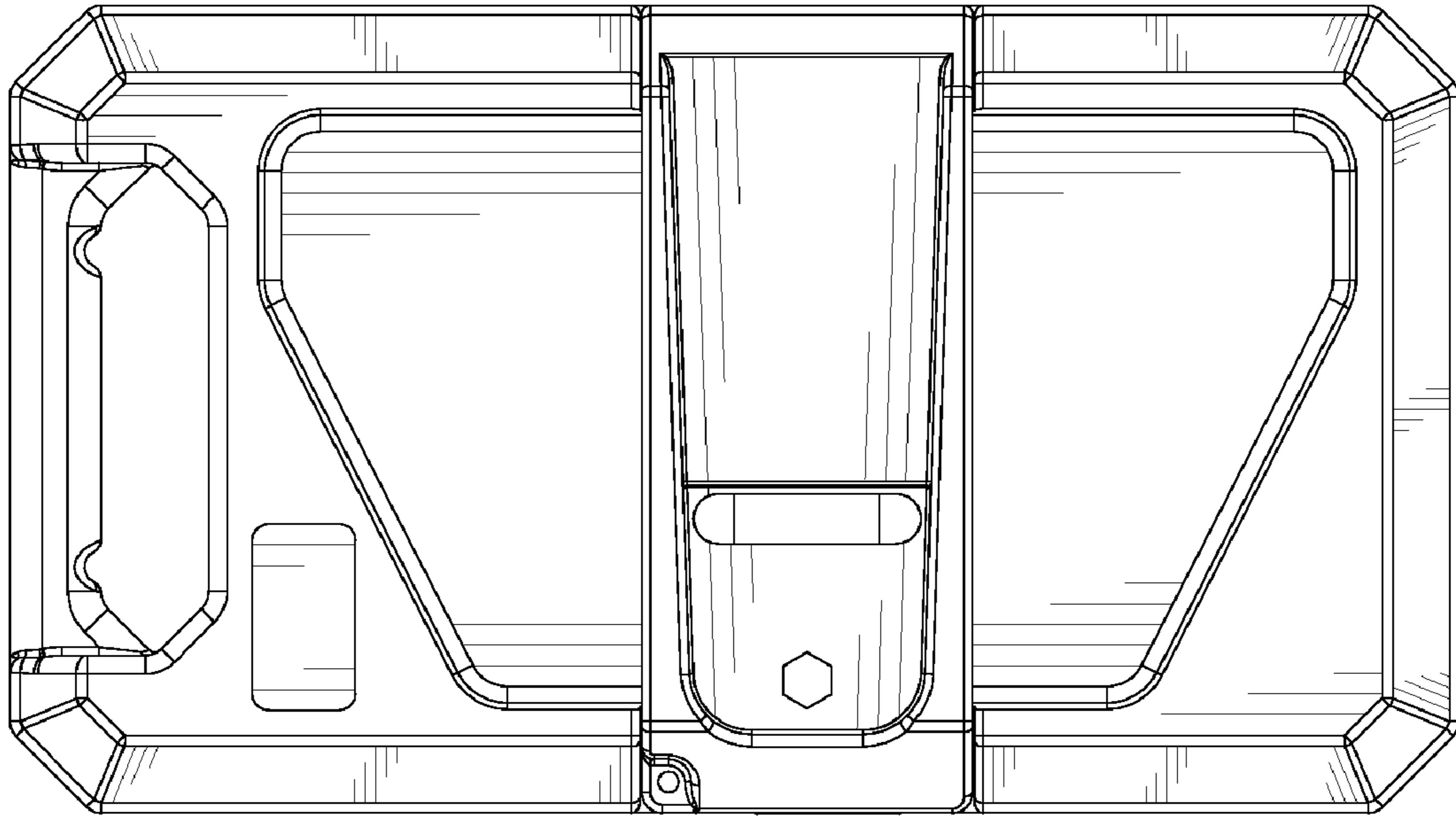


Fig. 6

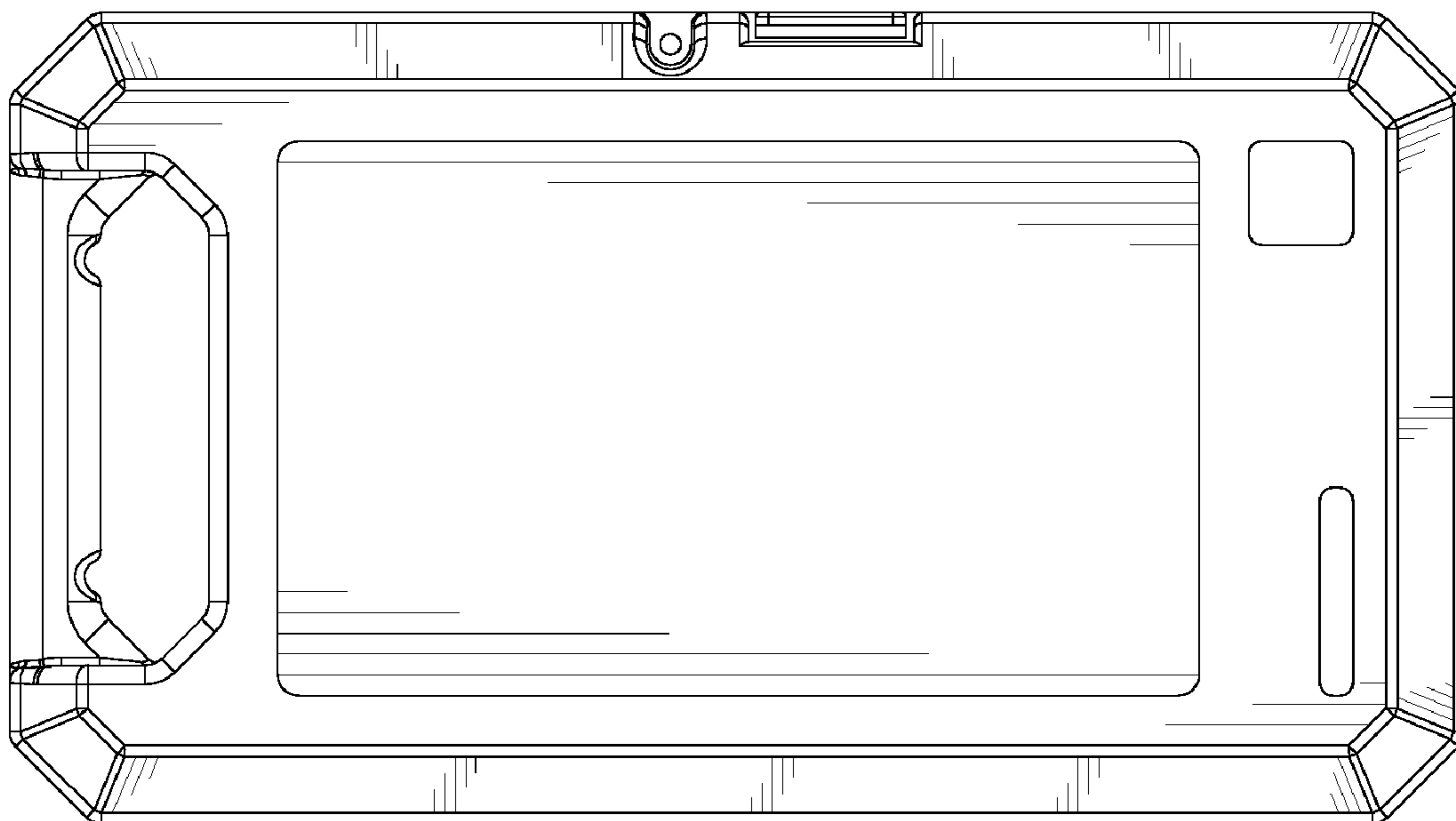


Fig. 7