

US00D590153S

(12) **United States Design Patent**
Sapp

(10) **Patent No.:** **US D590,153 S**
(45) **Date of Patent:** **** Apr. 14, 2009**

(54) **SHOE STORAGE BOX**

(76) Inventor: **Annie Harvey Sapp**, 815 Branch Rd.,
Albany, GA (US) 31705

(**) Term: **14 Years**

(21) Appl. No.: **29/280,690**

(22) Filed: **Jun. 5, 2007**

(51) **LOC (9) Cl.** **03-01**

(52) **U.S. Cl.** **D3/279; D6/440**

(58) **Field of Classification Search** D3/272-273,
D3/279, 294-295; D6/225-226, 349, 355,
D6/397, 432, 440; 190/15 A, 18 A, 18 R;
315/235.5; D34/19

See application file for complete search history.

(56) **References Cited**

U.S. PATENT DOCUMENTS

35,210	A	*	5/1862	Bishon	312/235.5
D45,912	S	*	6/1914	Martin	D6/336
D57,981	S	*	5/1921	Lockhart	D6/448
D131,001	S	*	1/1942	Abramson	D6/336
D151,662	S	*	11/1948	Smead	D6/336
D173,074	S	*	9/1954	McMaster	D6/336
D213,886	S	*	4/1969	Jensen	D6/448
3,746,391	A	*	7/1973	Novak	297/188.1
4,066,156	A	*	1/1978	Basile	190/18 A
D247,594	S	*	3/1978	Corson et al.	D6/349
D250,860	S	*	1/1979	Castro	D6/336
D291,037	S	*	7/1987	Handler et al.	D6/432
5,170,892	A	*	12/1992	Fromkin	211/36
RE34,570	E	*	3/1994	Fromkin	211/36
D351,508	S	*	10/1994	Bonazza	D6/336

D373,022	S	*	8/1996	Sagol	D3/279
D401,407	S	*	11/1998	Bro et al.	D3/271.12
D415,359	S	*	10/1999	Boyd	D6/336
D416,143	S	*	11/1999	Ragan	D6/397
D423,237	S	*	4/2000	Chang	D6/336
D428,717	S	*	8/2000	Solowiej	D6/349
D432,322	S	*	10/2000	Mandell	D6/336
6,357,566	B1	*	3/2002	Pond	190/18 A
D461,061	S	*	8/2002	Kent	D6/336

* cited by examiner

Primary Examiner—Philip S Hyder

Assistant Examiner—Roselyne Cody

(74) *Attorney, Agent, or Firm*—Brian D. Bellamy

(57) **CLAIM**

The ornamental design for a shoe storage box, as shown.

DESCRIPTION

FIG. 1 is a perspective view of a shoe storage box showing my new design;

FIG. 2 is a right side perspective view of the shoe storage box with the lid portion opened, the left side being a mirror image;

FIG. 3 is a front elevation view of the shoe storage box of FIG. 1;

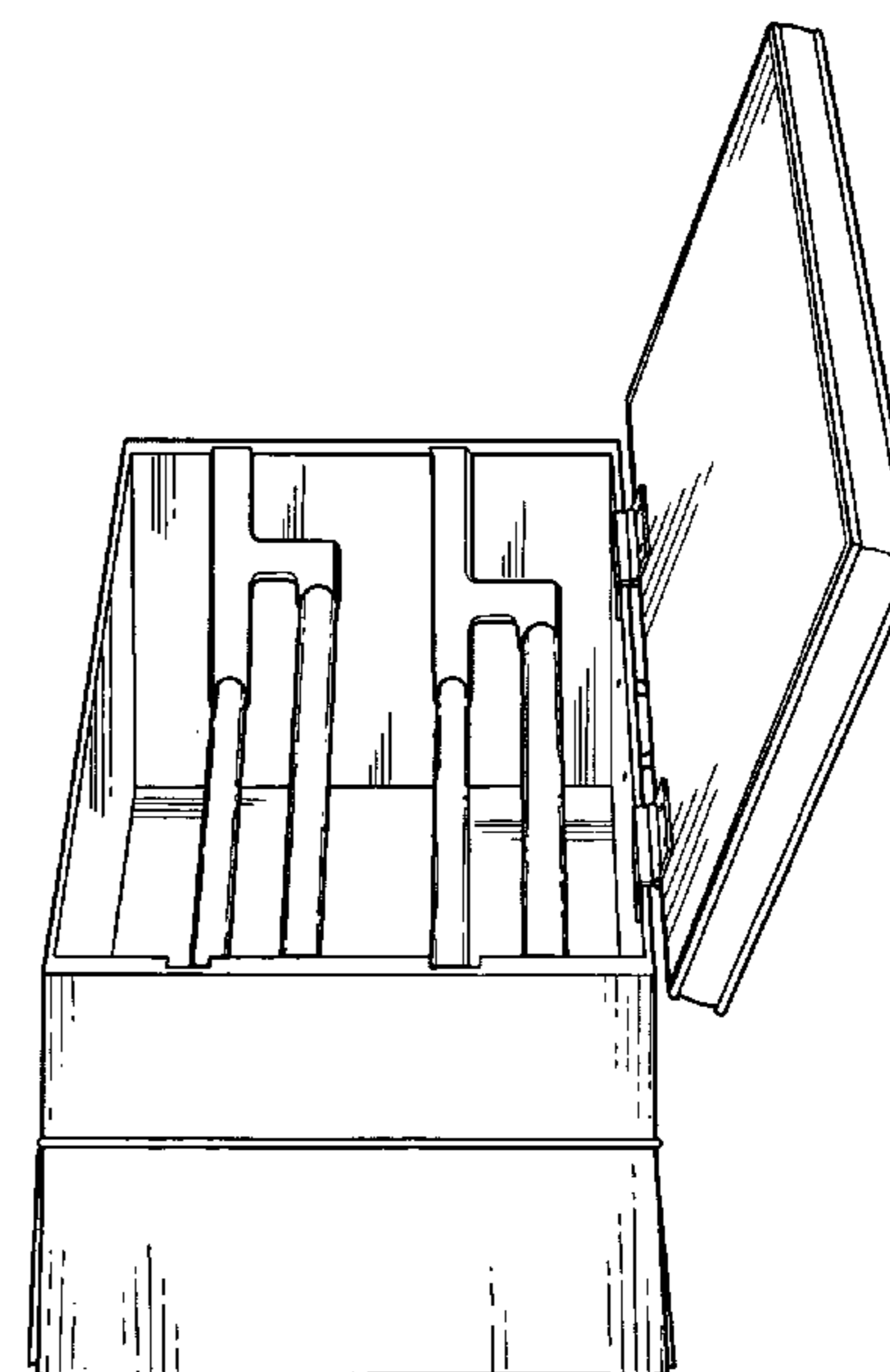
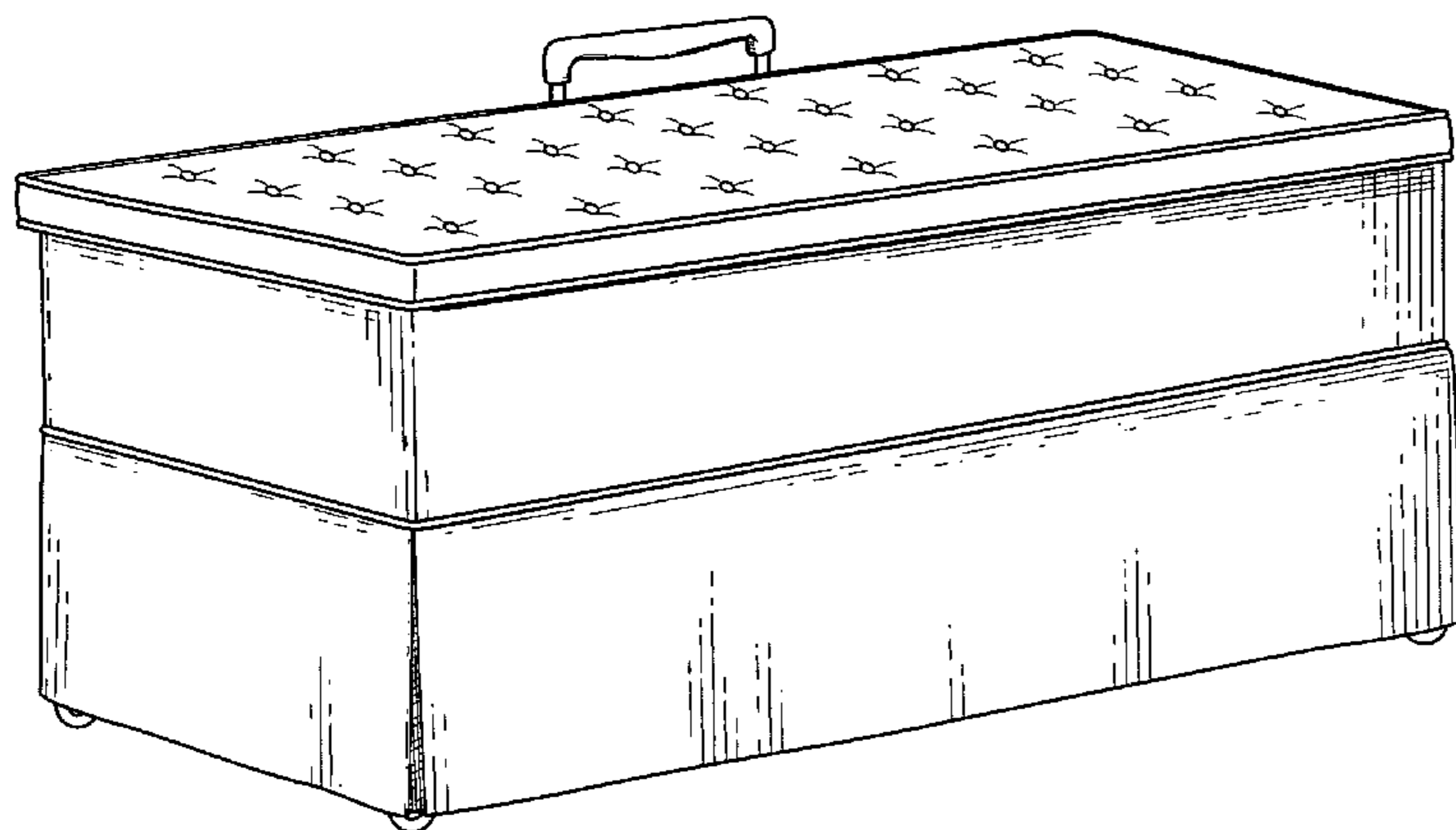
FIG. 4 is a rear elevation view thereof;

FIG. 5 is a top plan view thereof;

FIG. 6 is a bottom plan view thereof; and,

FIG. 7 is a right side elevation view thereof, the left side being a mirror image.

1 Claim, 4 Drawing Sheets



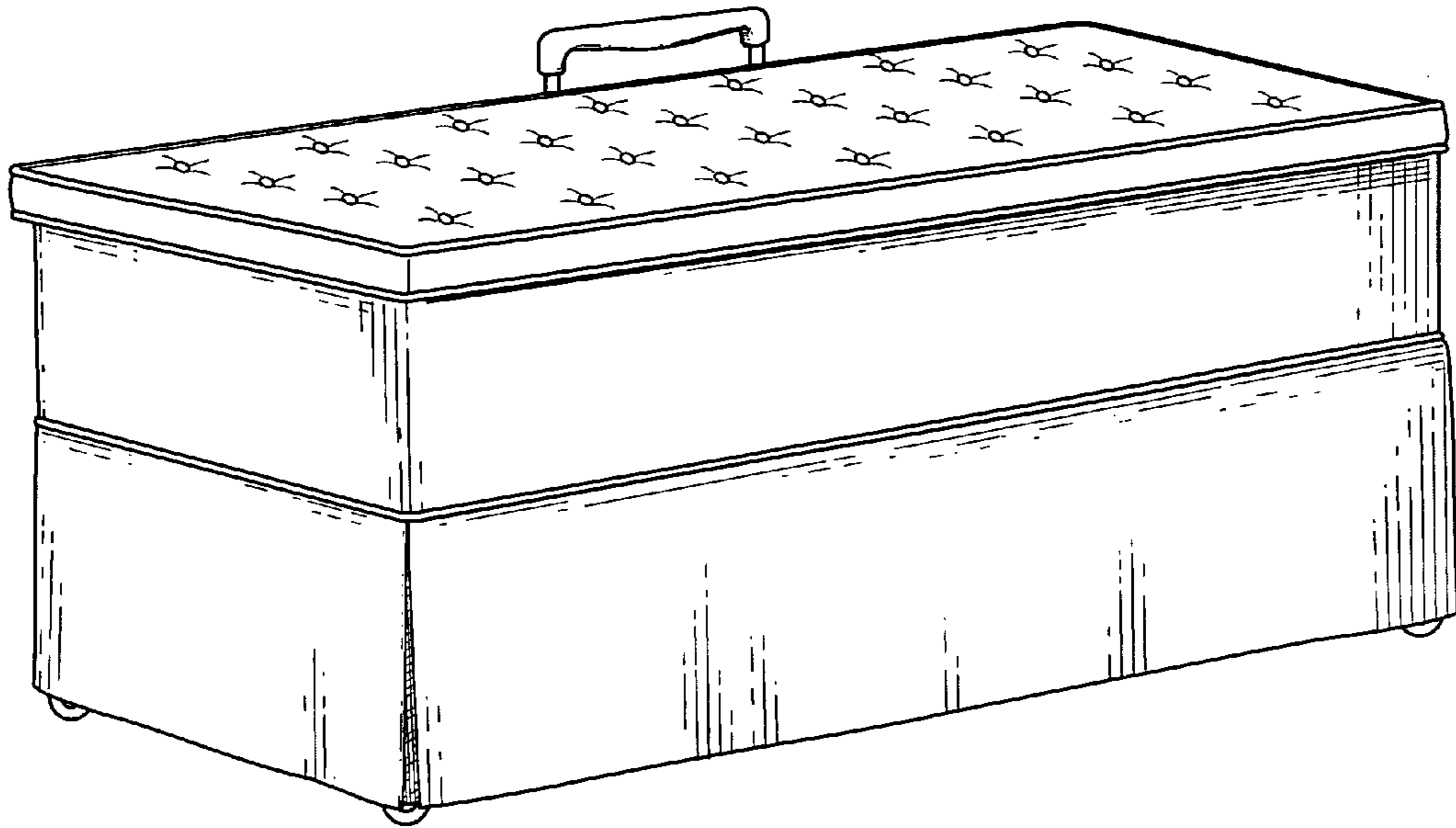


Fig. 1

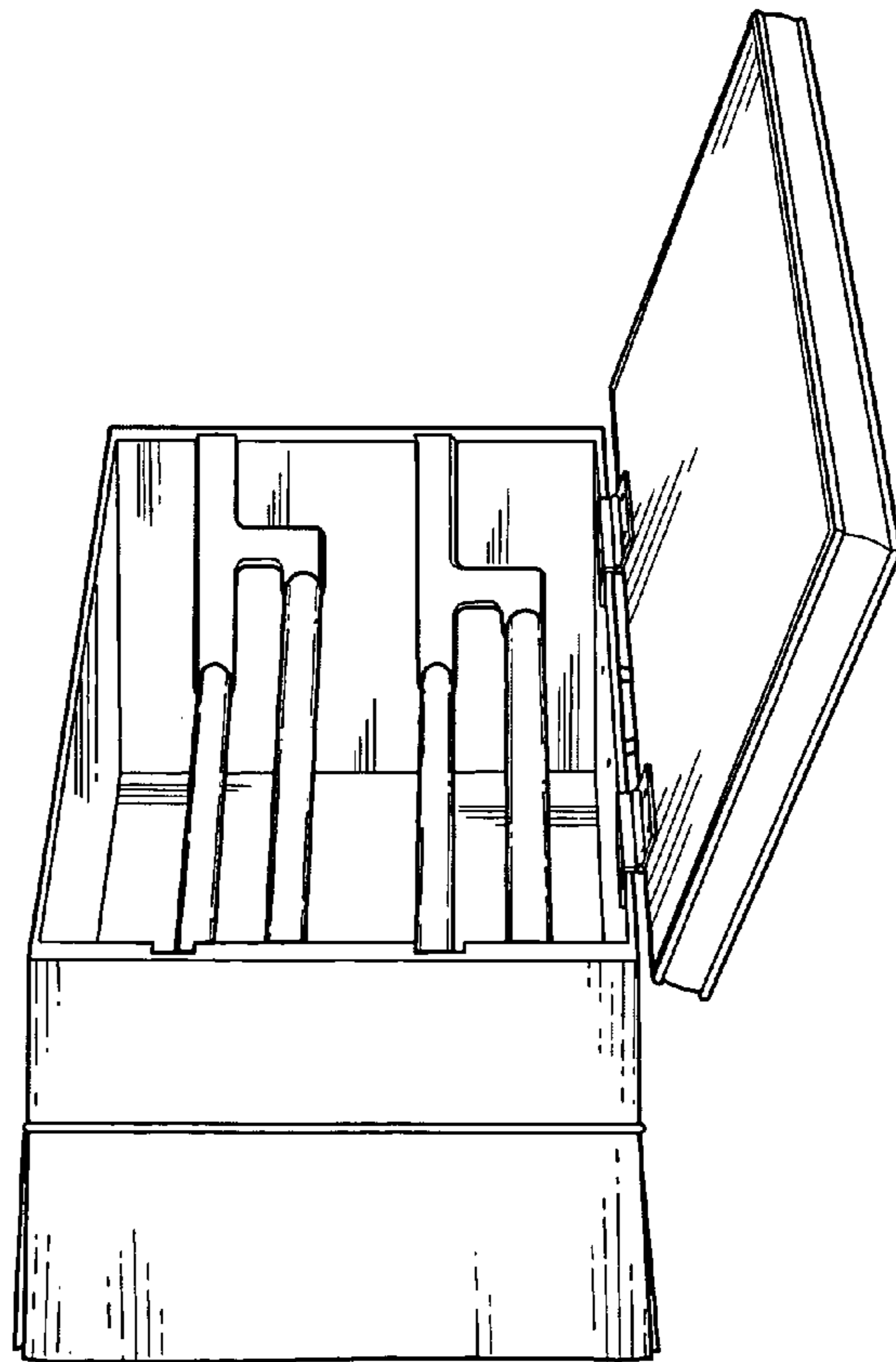


Fig. 2

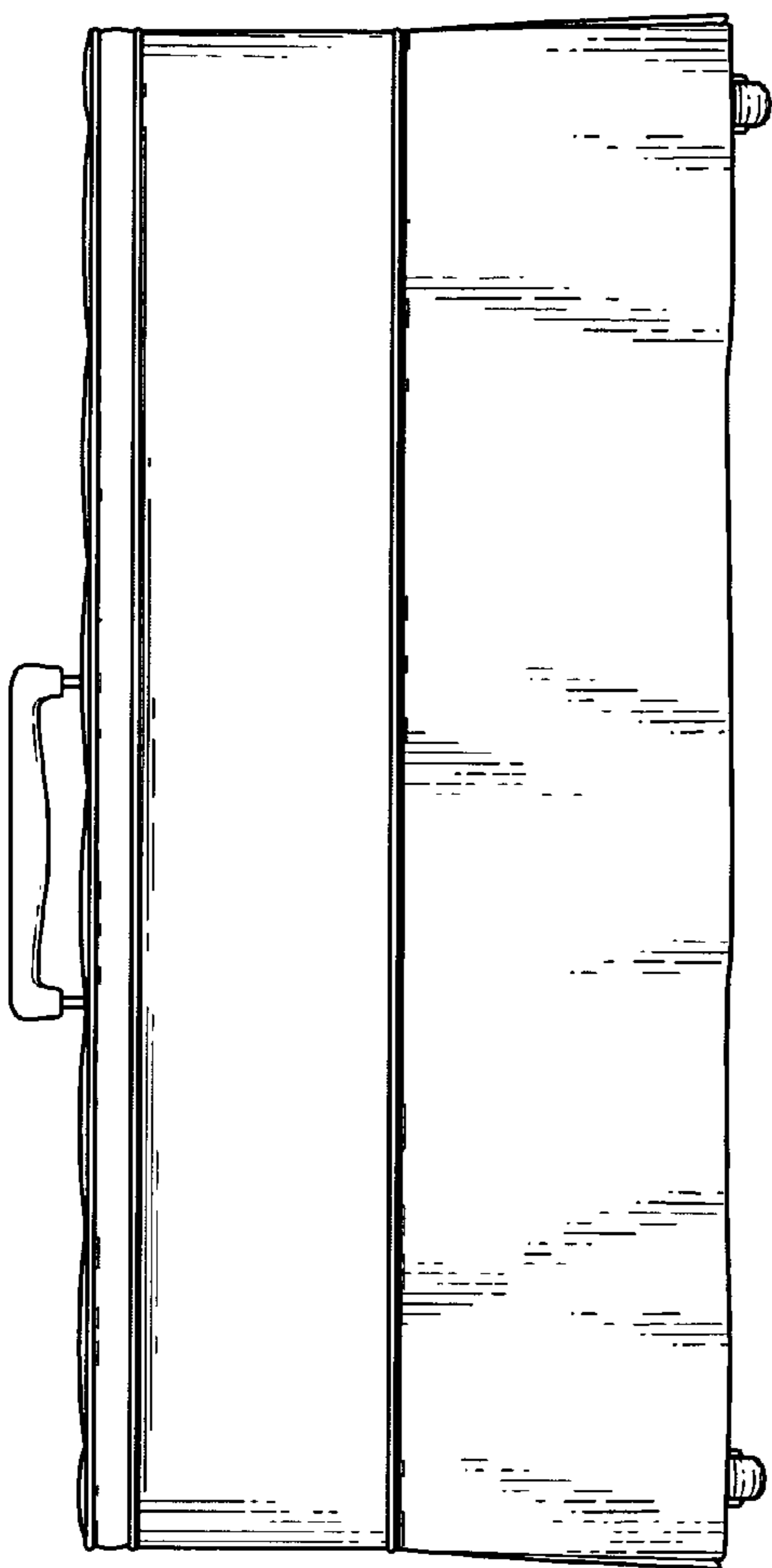


Fig. 3

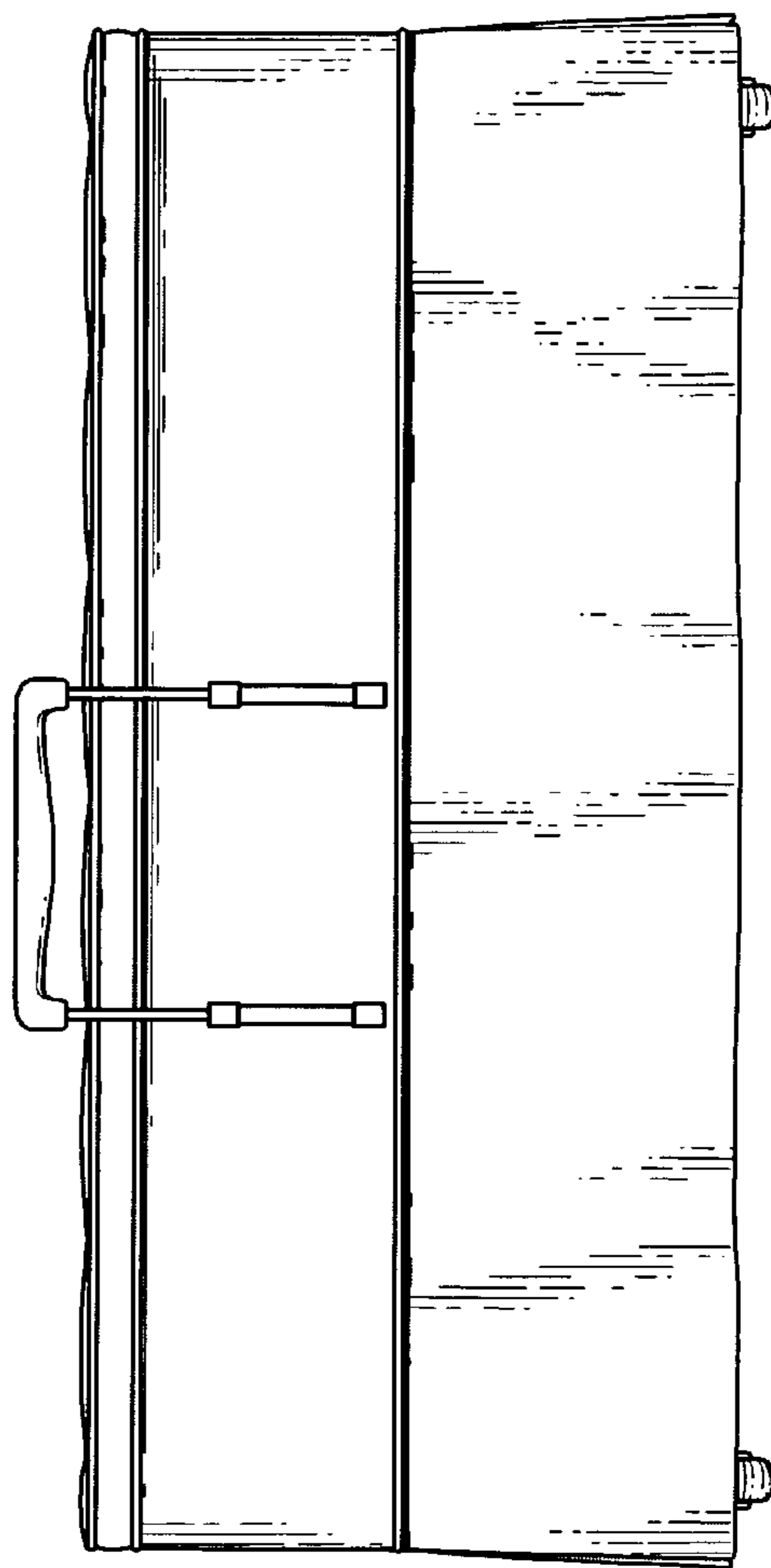


Fig. 4

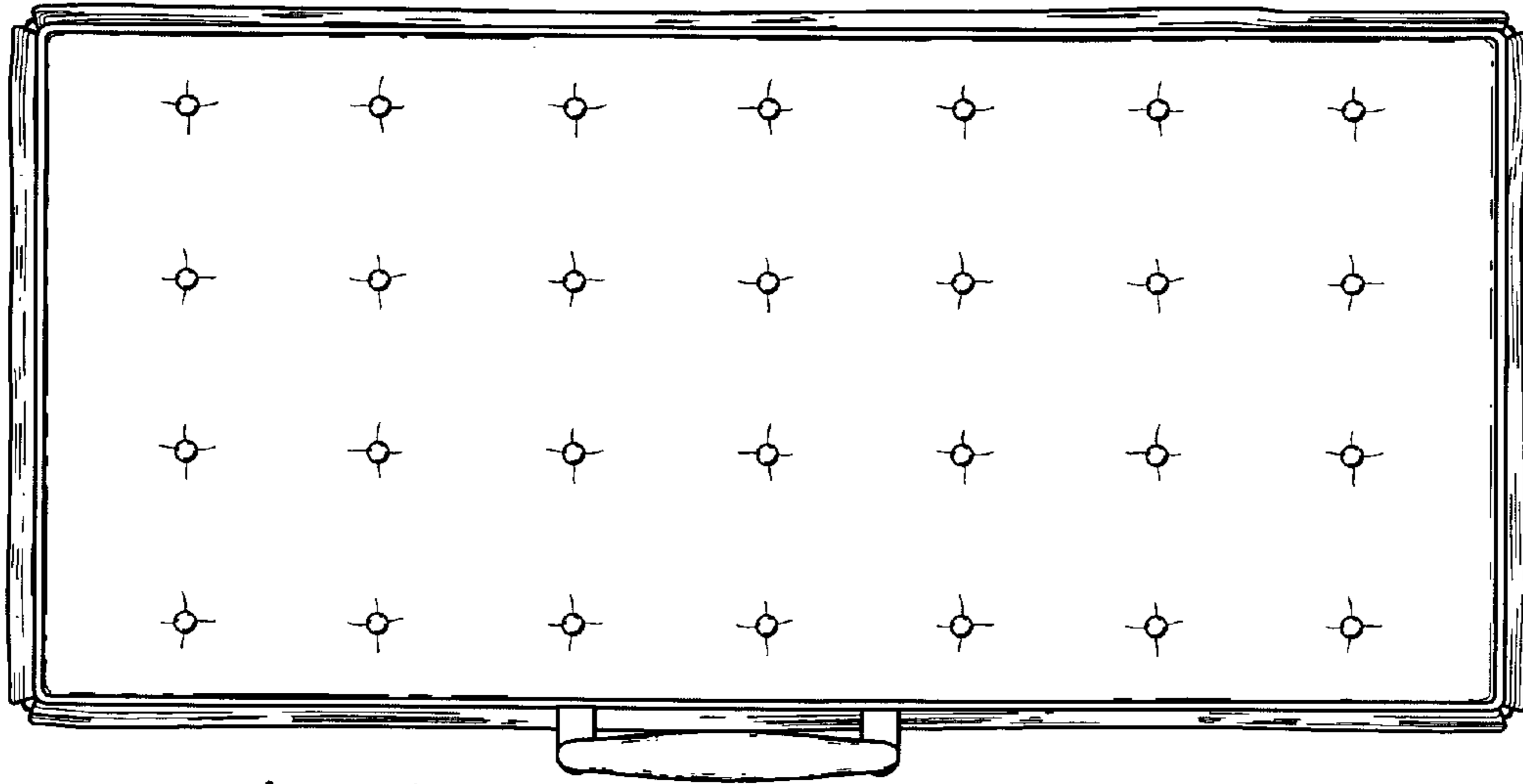


Fig. 5

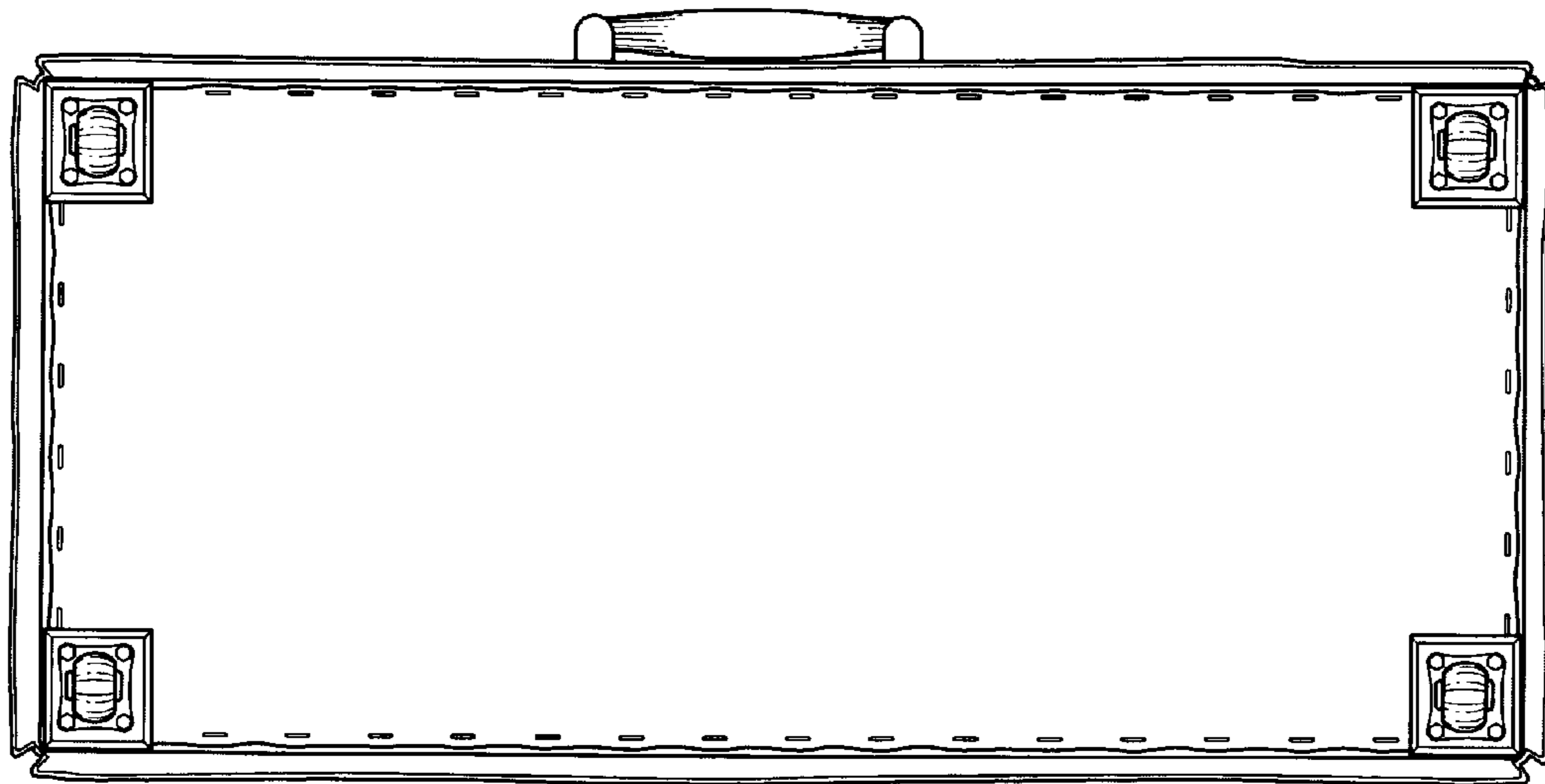


Fig. 6

Fig. 7

