



US00D590151S

(12) **United States Design Patent**
Karobkina et al.

(10) **Patent No.:** **US D590,151 S**
(45) **Date of Patent:** **** Apr. 14, 2009**

(54) **PROTECTIVE SLEEVE FOR CARDS**

D431,719 S * 10/2000 Mucarquer D3/247

(76) Inventors: **Hanna Karobkina**, 1930 Madison St.,
#R, Hollywood, FL (US) 33020; **Yahor**
Karobkin, 1930 Madison St., #R,
Hollywood, FL (US) 33020

* cited by examiner

Primary Examiner—Holly H Baynham

(**) Term: **14 Years**

(57) **CLAIM**

(21) Appl. No.: **29/306,363**

The ornamental design for a protective sleeve for cards, as shown and described.

(22) Filed: **Apr. 8, 2008**

DESCRIPTION

(51) **LOC (9) Cl.** **03-01**

FIG. 1 is a top perspective view of the protective sleeve for cards of the instant invention;

(52) **U.S. Cl.** **D3/247**

FIG. 2 is a top view thereof

(58) **Field of Classification Search** D3/247-252;
150/100, 103-104, 107-110, 114, 118-119
See application file for complete search history.

FIG. 3 is a bottom view thereof;

FIG. 4 is a right side view thereof;

FIG. 5 is a left side view thereof;

FIG. 6 is a front view thereof; and,

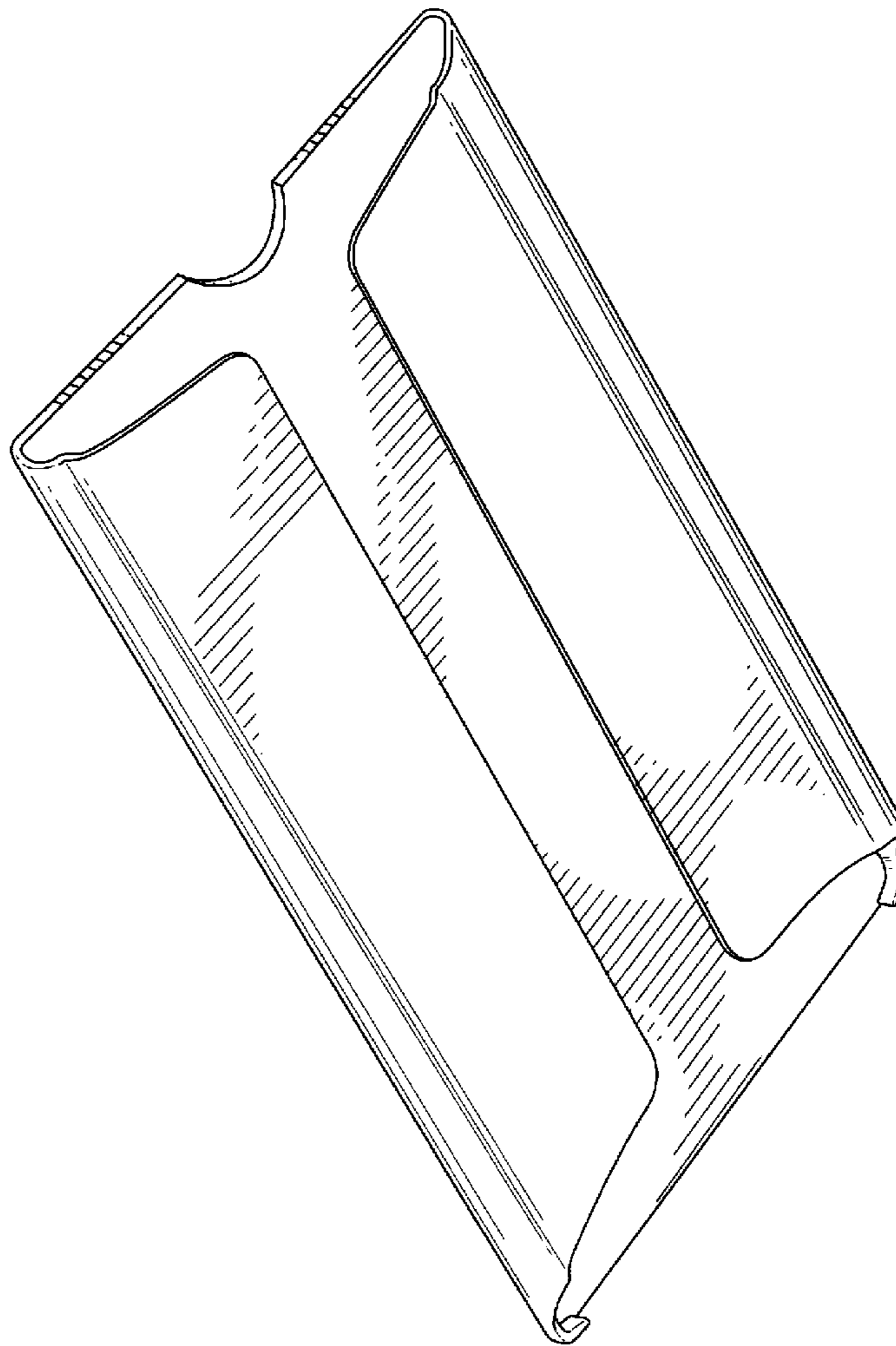
FIG. 7 is a rear view thereof.

(56) **References Cited**

U.S. PATENT DOCUMENTS

5,358,019 A * 10/1994 Sumner, III 150/147
5,520,230 A * 5/1996 Sumner, III 150/147

1 Claim, 5 Drawing Sheets



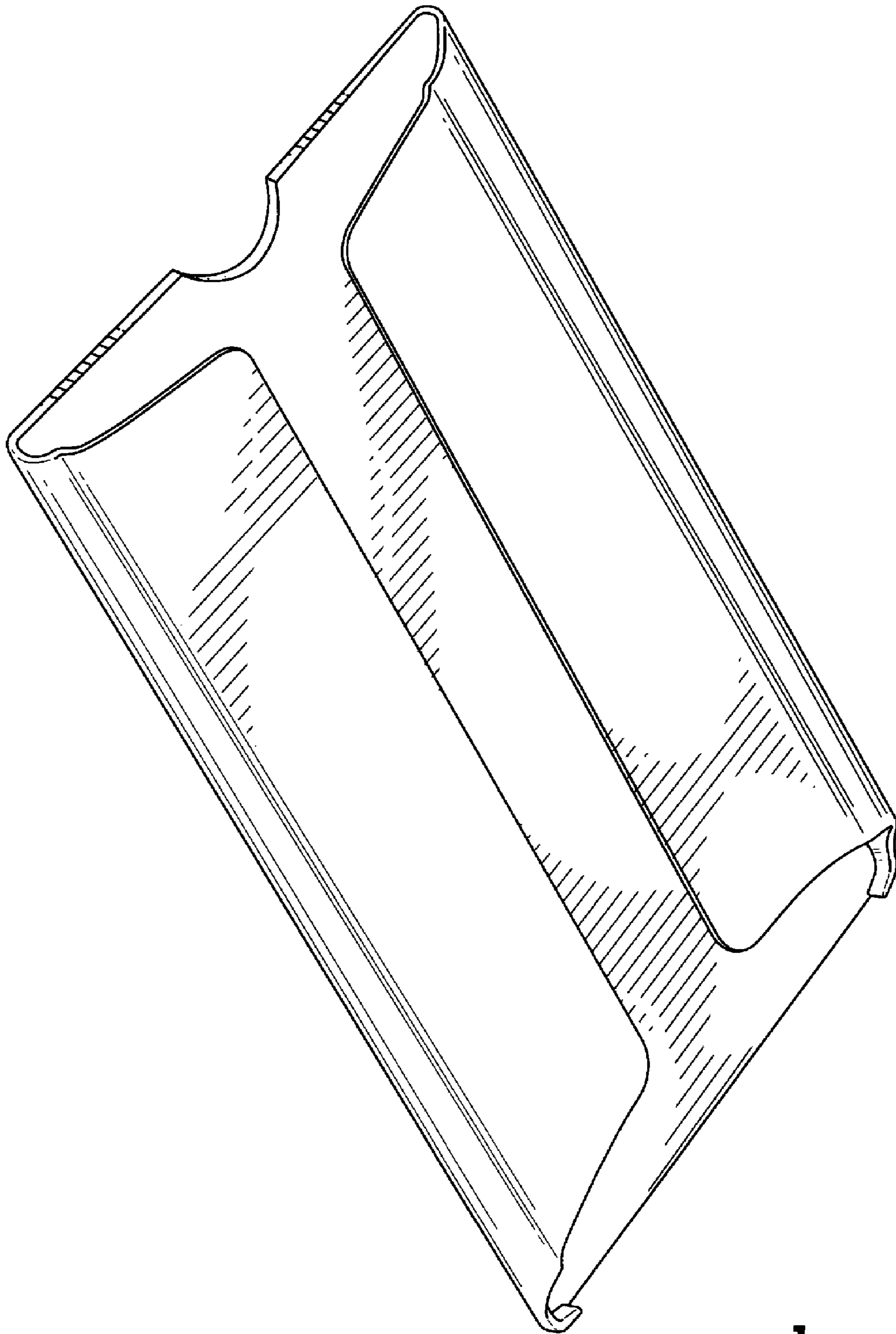


FIG. 1

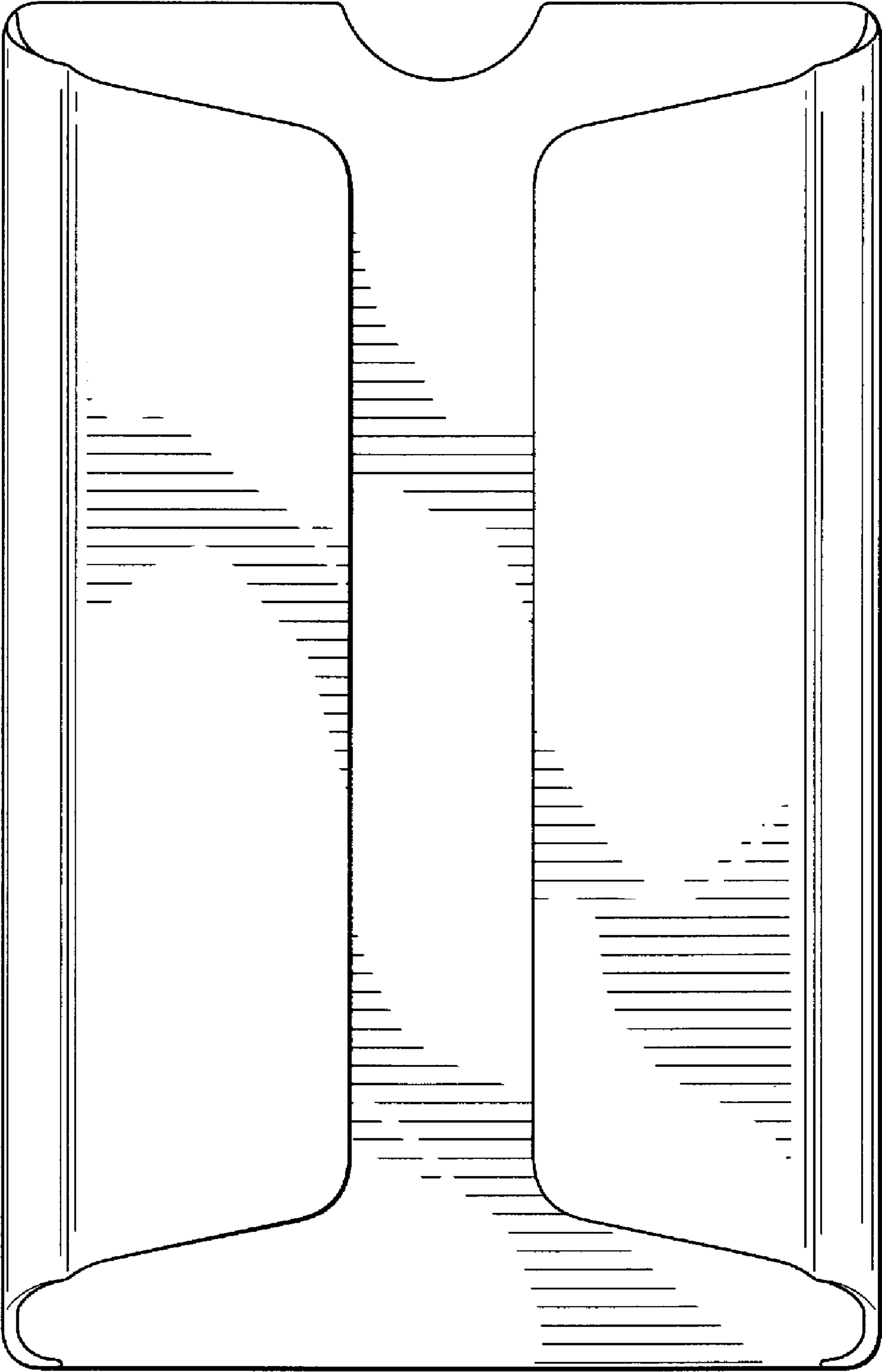


FIG. 2

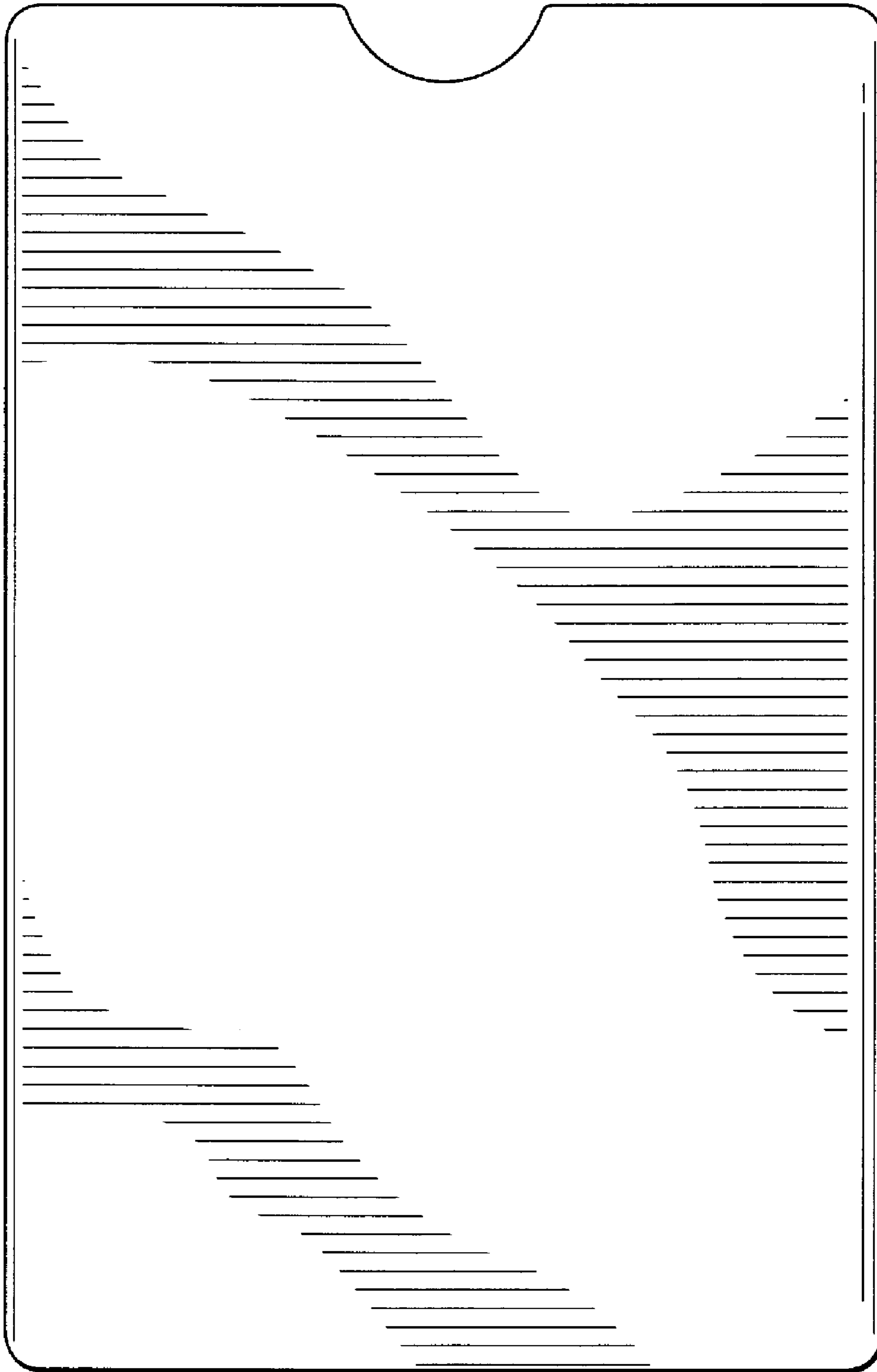


FIG. 3

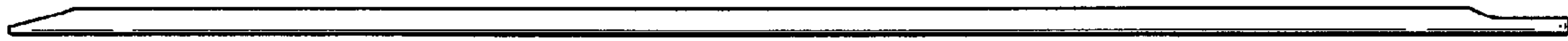


FIG. 4

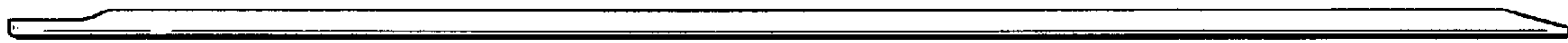


FIG. 5



FIG. 6



FIG. 7