



US00D590147S

(12) **United States Design Patent**
Mühlhausen et al.

(10) **Patent No.:** **US D590,147 S**
(45) **Date of Patent:** **** Apr. 14, 2009**

(54) **MULTI DOSAGE DISPENSER**

(75) Inventors: **Hans-Georg Mühlhausen**, Düsseldorf (DE); **Salvatore Fileccia**, Oberhausen (DE)

(73) Assignee: **Henkel KGaA**, Dusseldorf (DE)

(**) Term: **14 Years**

(21) Appl. No.: **29/295,014**

(22) Filed: **Sep. 20, 2007**

(30) **Foreign Application Priority Data**

Mar. 23, 2007 (EM) 000695176

(51) **LOC (9) Cl.** **03-01**

(52) **U.S. Cl.** **D3/203.2**

(58) **Field of Classification Search** D3/203.1, D3/203.2, 203.3, 203.6, 203.7, 201, 205, D3/294; 206/530-545; D9/730-733

See application file for complete search history.

(56) **References Cited**

U.S. PATENT DOCUMENTS

2,492,864 A * 12/1949 Hermani 206/540

D281,225 S * 11/1985 Leman D3/203.3
D397,247 S * 8/1998 Gardner et al. D3/203.2
D498,584 S * 11/2004 DiMarchi et al. D3/203.2
D548,954 S * 8/2007 Andersen et al. D3/203.1

* cited by examiner

Primary Examiner—Catherine R Oliver

(74) *Attorney, Agent, or Firm*—Paul and Paul

(57) **CLAIM**

The ornamental design for the multi dosage dispenser, as shown and described.

DESCRIPTION

FIG. 1 is a front, top and right side perspective view of a multi dosage dispenser showing our new design;

FIG. 2 is a front elevational view thereof;

FIG. 3 is a rear elevational view thereof;

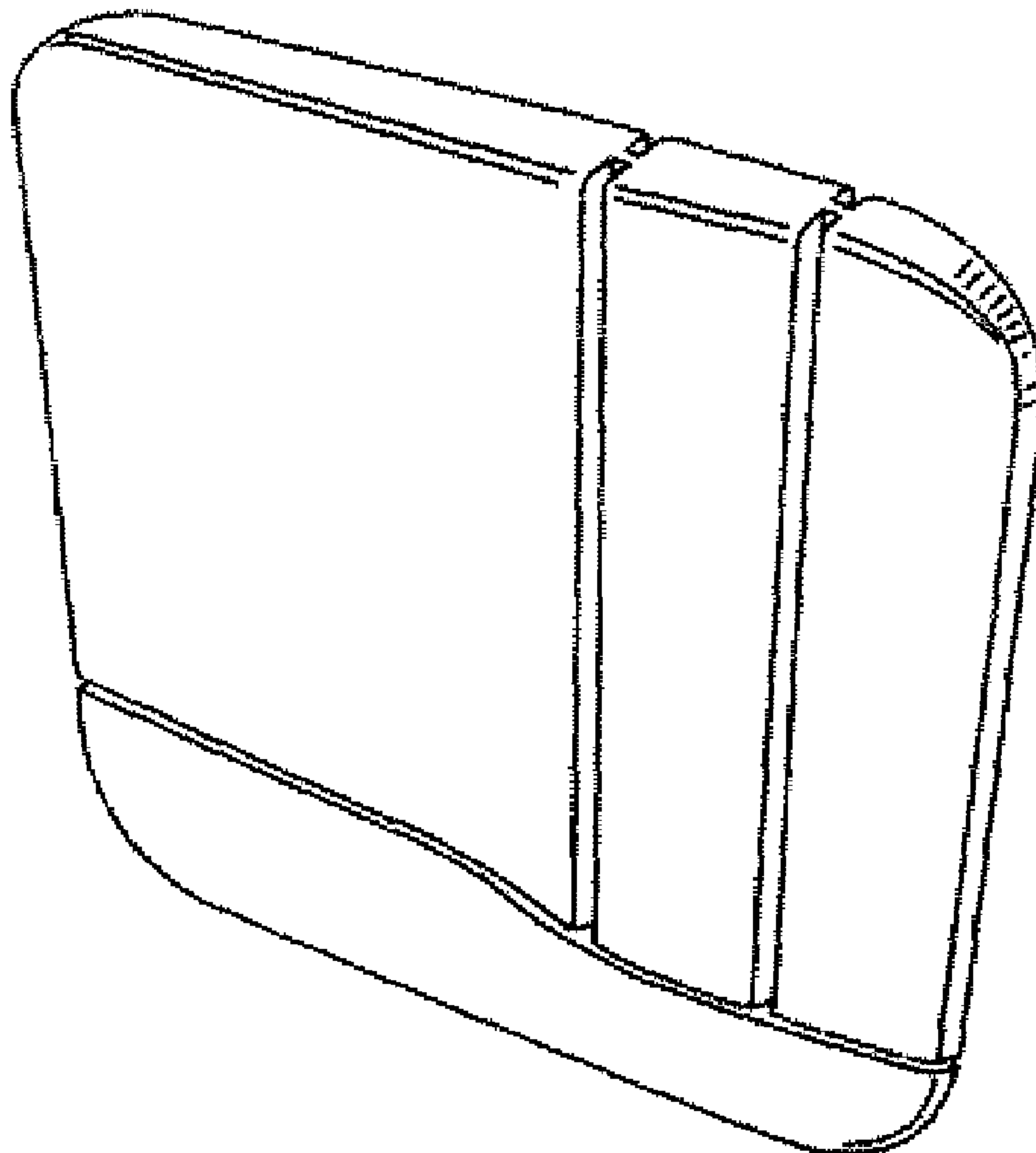
FIG. 4 is a right side elevational view thereof;

FIG. 5 is a left side elevational view thereof;

FIG. 6 is a top view thereof; and,

FIG. 7 is a bottom view thereof.

1 Claim, 2 Drawing Sheets



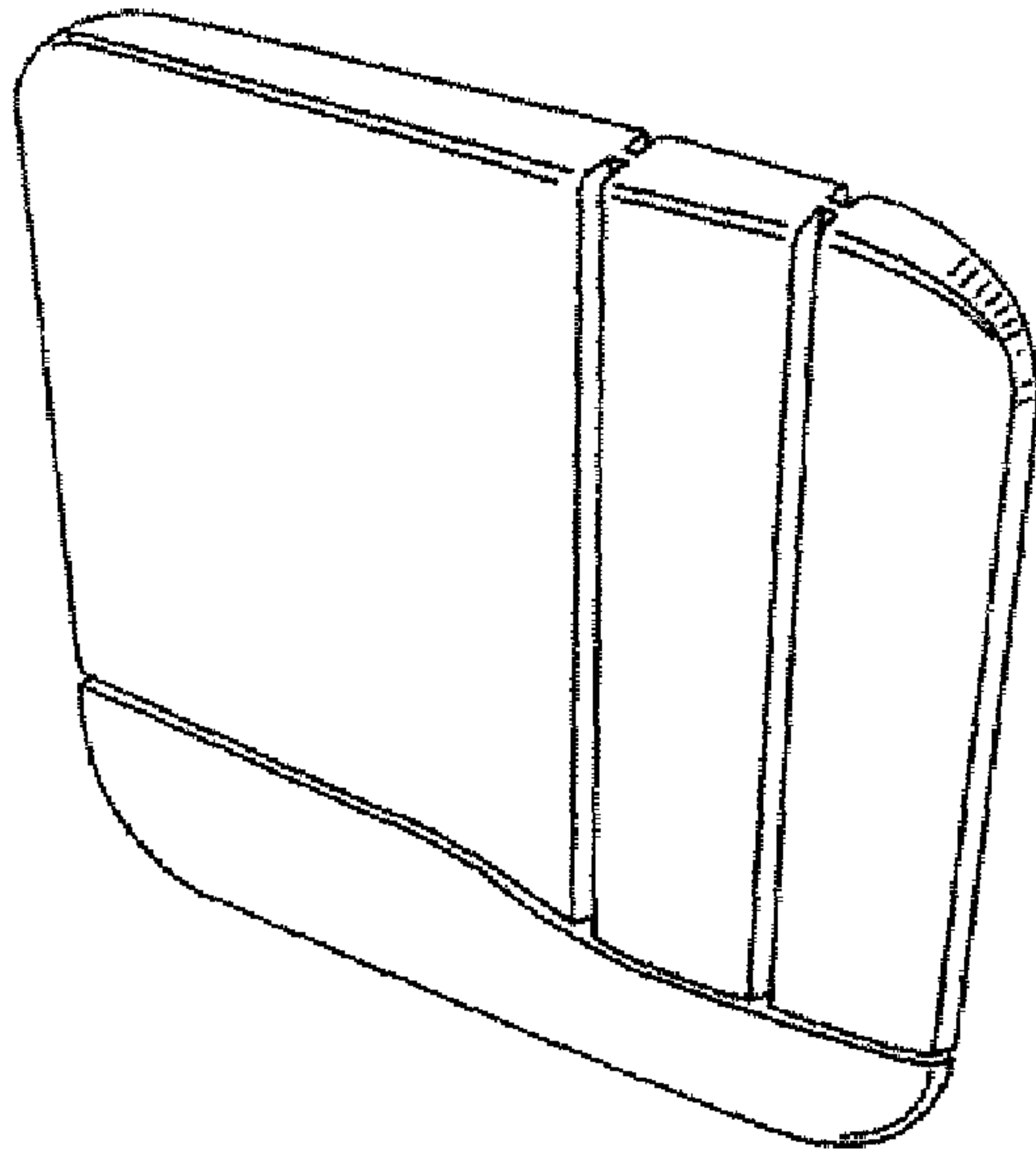


Fig. 1

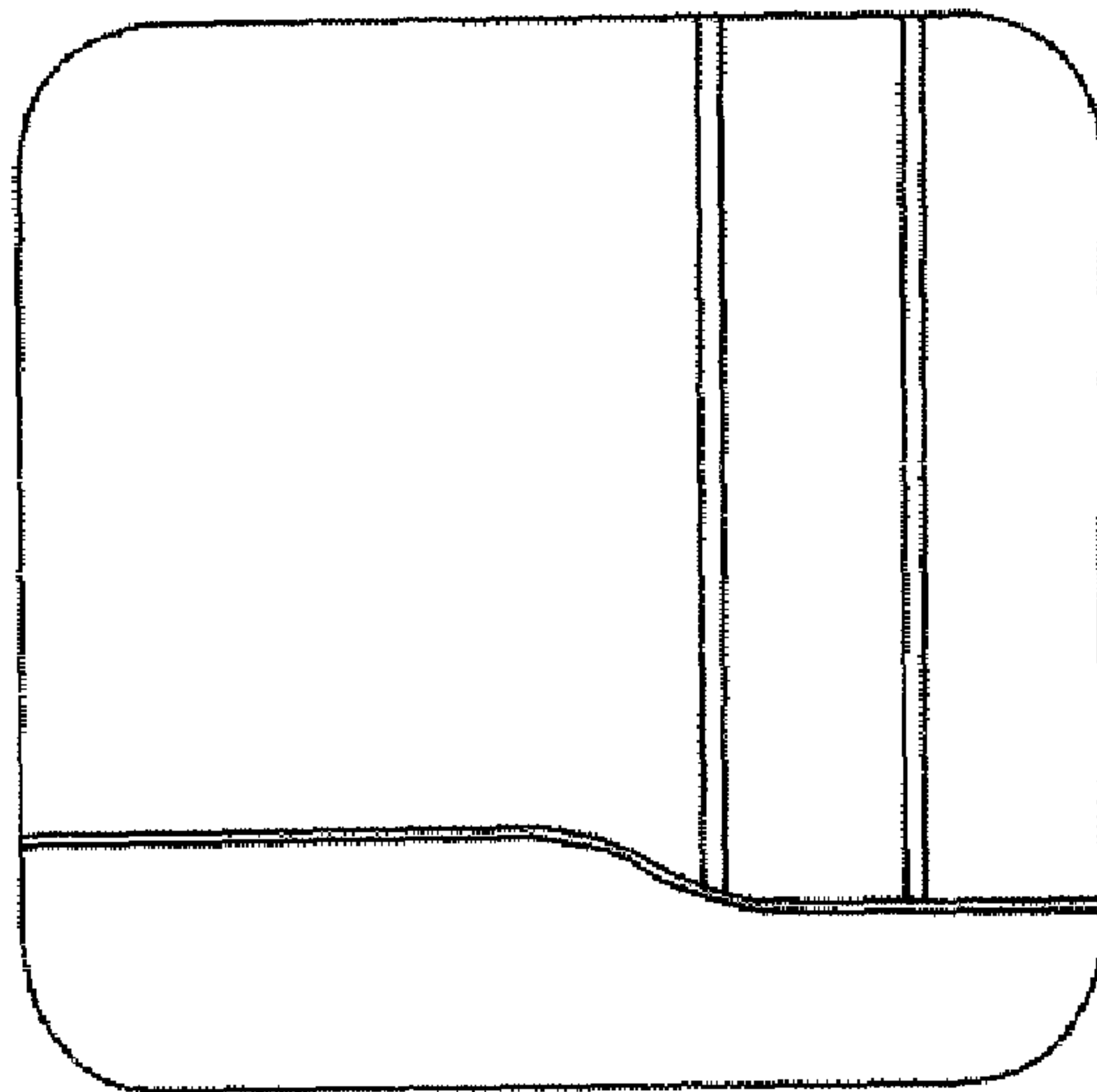


Fig. 2

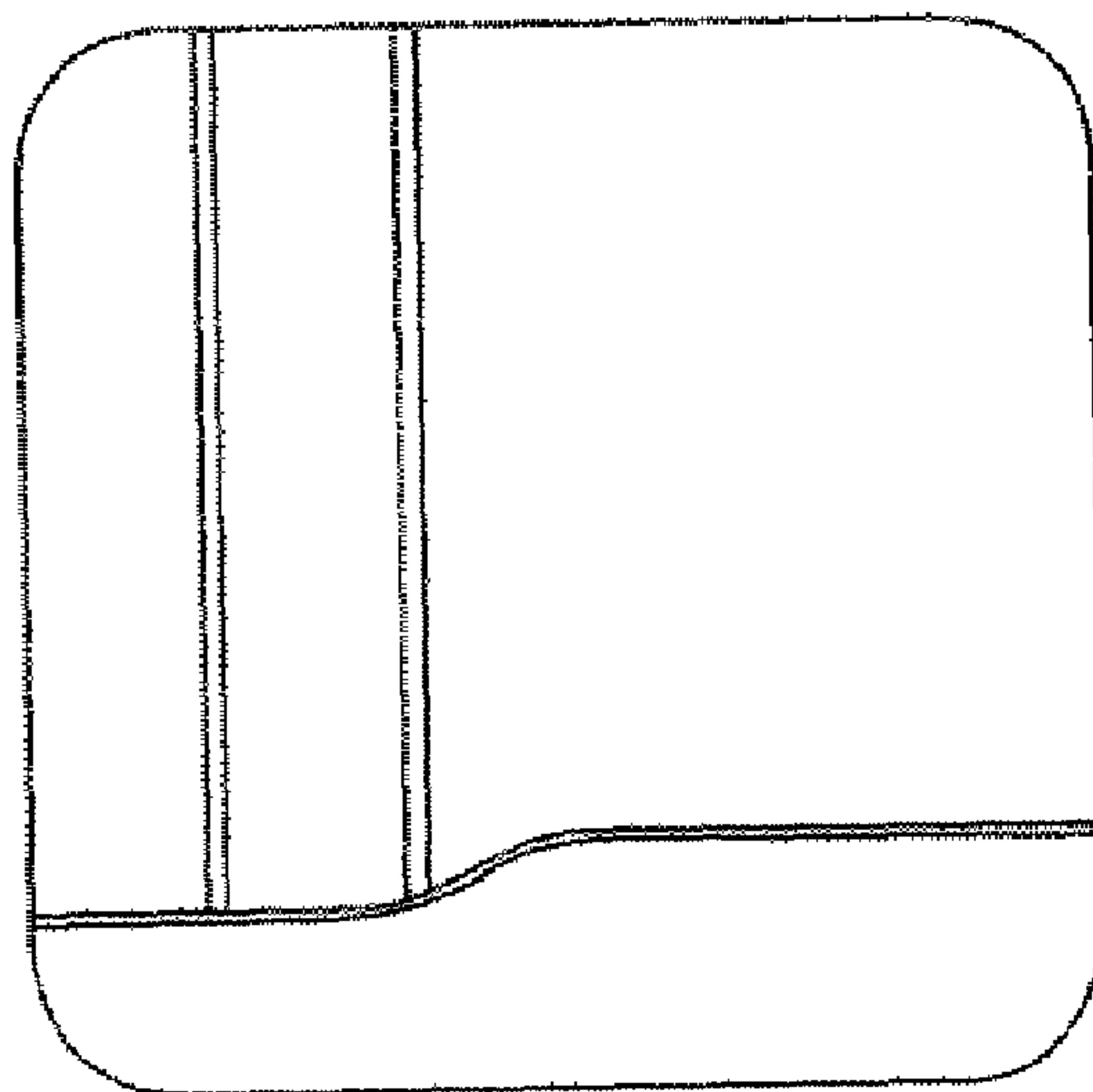


Fig. 3

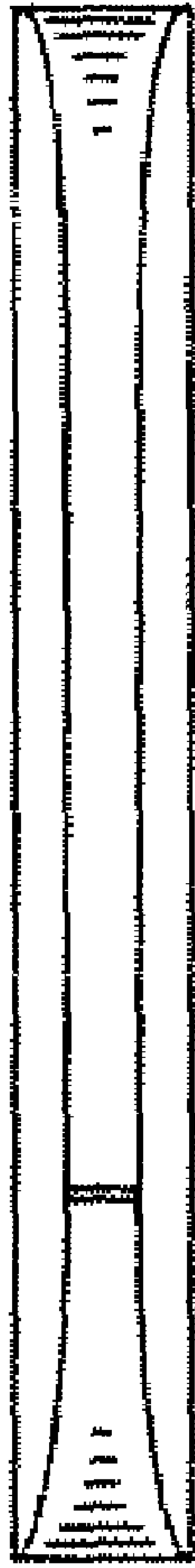


Fig. 4



Fig. 5



Fig. 6

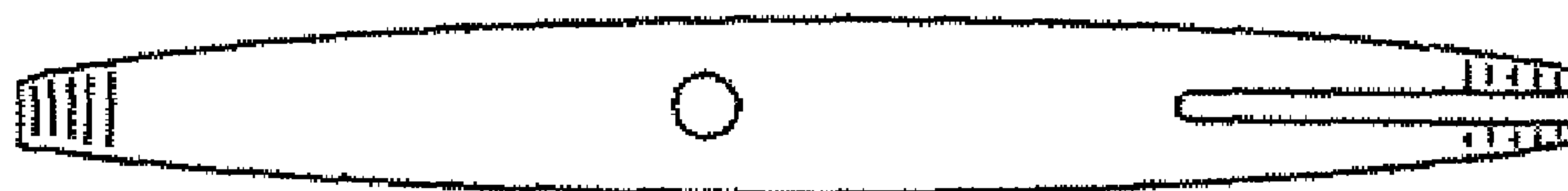


Fig. 7