



US00D590145S

(12) **United States Design Patent**  
**Kaufman**

(10) **Patent No.:** **US D590,145 S**  
(45) **Date of Patent:** **\*\* Apr. 14, 2009**

(54) **UMBRELLA**

- (76) Inventor: **Alan Kaufman**, 320 Plaza Real, suite 319, Boca Raton, FL (US) 33432
  - (\*\*) Term: **14 Years**
  - (21) Appl. No.: **29/285,464**
  - (22) Filed: **Mar. 29, 2007**
  - (51) **LOC (9) Cl.** ..... **03-03**
  - (52) **U.S. Cl.** ..... **D3/5**
  - (58) **Field of Classification Search** ..... D3/5-17;  
135/15.1, 19, 20.1, 25.1, 25.4, 32.2, 33.4,  
135/124, 126, 128
- See application file for complete search history.

(56) **References Cited**

**U.S. PATENT DOCUMENTS**

3,161,231	A	12/1964	Dawson et al.	
D228,975	S *	10/1973	Schertz .....	D3/5
D273,055	S *	3/1984	Lee .....	D3/6
4,658,843	A *	4/1987	Raymond .....	135/19.5
D325,296	S *	4/1992	Wu .....	D3/6
5,355,902	A	10/1994	Schlangen	
D359,614	S *	6/1995	Bauman .....	D3/6
D390,696	S *	2/1998	Bauman .....	D3/5
5,896,590	A	4/1999	Fleisch	
2005/0279396	A1 *	12/2005	Choi .....	135/133

\* cited by examiner

*Primary Examiner*—T. Chase Nelson

*Assistant Examiner*—Anhdao Doan

(74) *Attorney, Agent, or Firm*—Jacqueline Tadros, P.A.;  
Jacqueline Tadros, Esq.

(57) **CLAIM**

I claim the ornamental design of an umbrella, as shown and described.

**DESCRIPTION**

FIG. 1 is a perspective view of an umbrella according to an embodiment of the present invention, showing the umbrella in the open position;

FIG. 2 is a left side elevational view of the umbrella shown in FIG. 1; and is a mirror image of the right side;

FIG. 3 is a front view of the umbrella shown in FIG. 1;

FIG. 4 is a top view of the umbrella shown in FIG. 1;

FIG. 5 is a back view of the umbrella shown in FIG. 1;

FIG. 6 is a bottom view of the umbrella shown in FIG. 1;

FIG. 7 is a perspective view of the umbrella shown in FIG. 1, shown in the closed position and with the transparent canopy omitted for clarity of the illustration;

FIG. 8 is a top view of the umbrella shown in FIG. 7;

FIG. 9 is a front view of the umbrella shown in FIG. 7;

FIG. 10 is a left side view of the umbrella shown in FIG. 7; and is a mirror image of the right side;

FIG. 11 is a bottom view of the umbrella shown in FIG. 7;

FIG. 12 is a back view of the umbrella shown in FIG. 7;

FIG. 13 is a perspective view of an umbrella according to another embodiment of the present invention, showing the second half portion of the canopy with opaque panels, showing the umbrella in the open position.

FIG. 14 is a left side elevational view of the umbrella shown in FIG. 13; and is a mirror image of the right side;

FIG. 15 is a front view of the umbrella shown in FIG. 13;

FIG. 16 is a top view of the umbrella shown in FIG. 13;

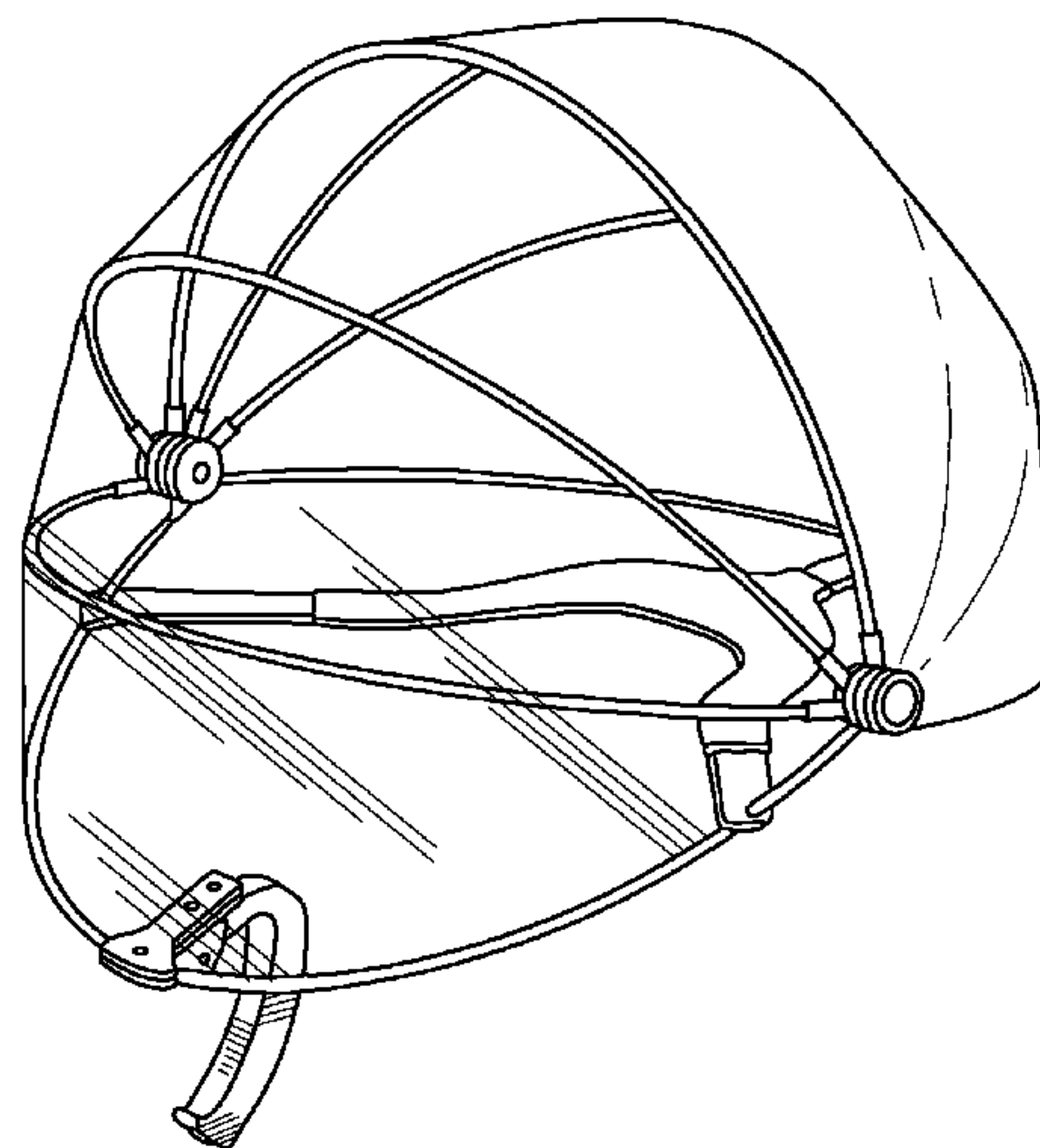
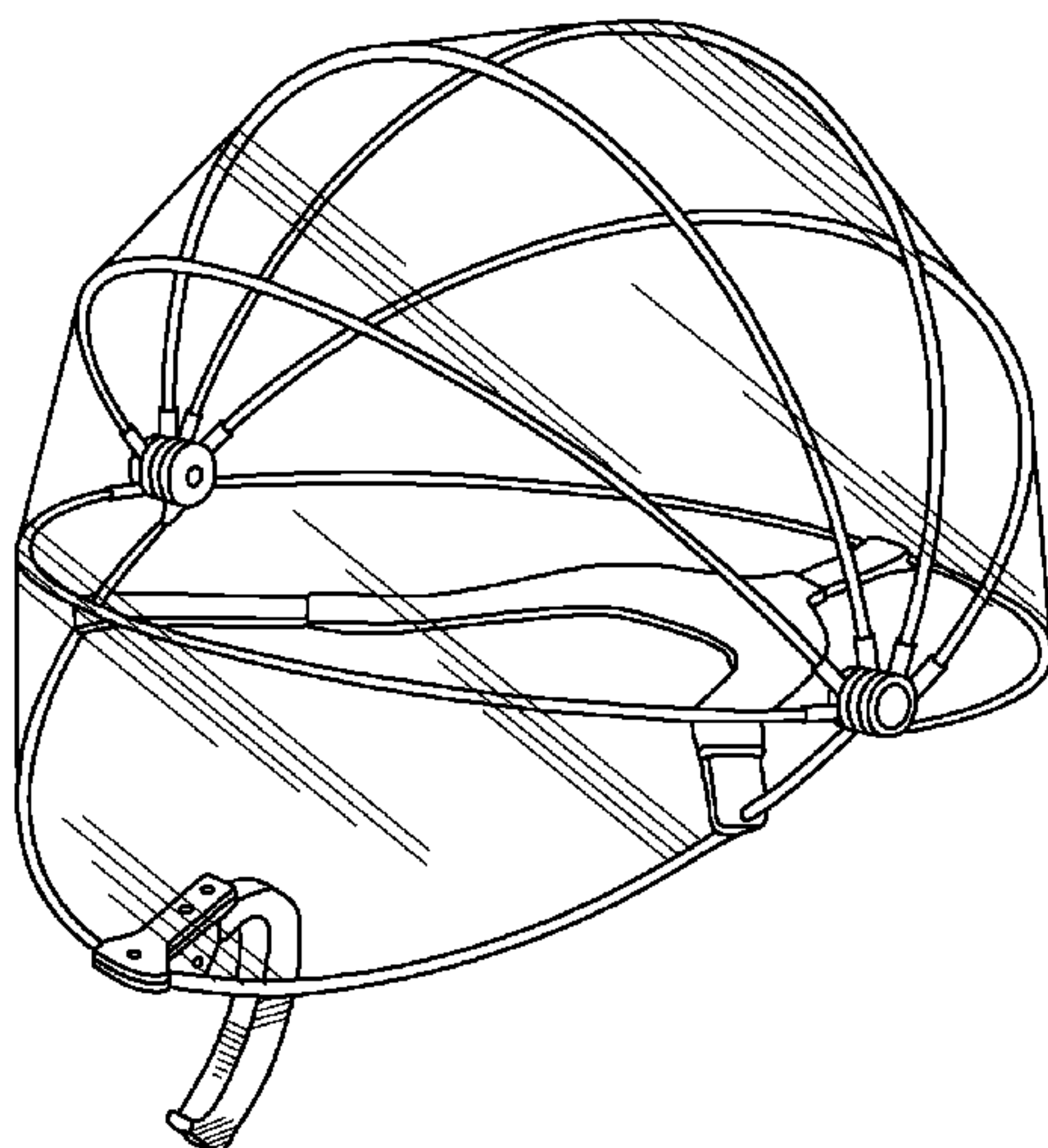
FIG. 17 is a back view of the umbrella shown in FIG. 13;

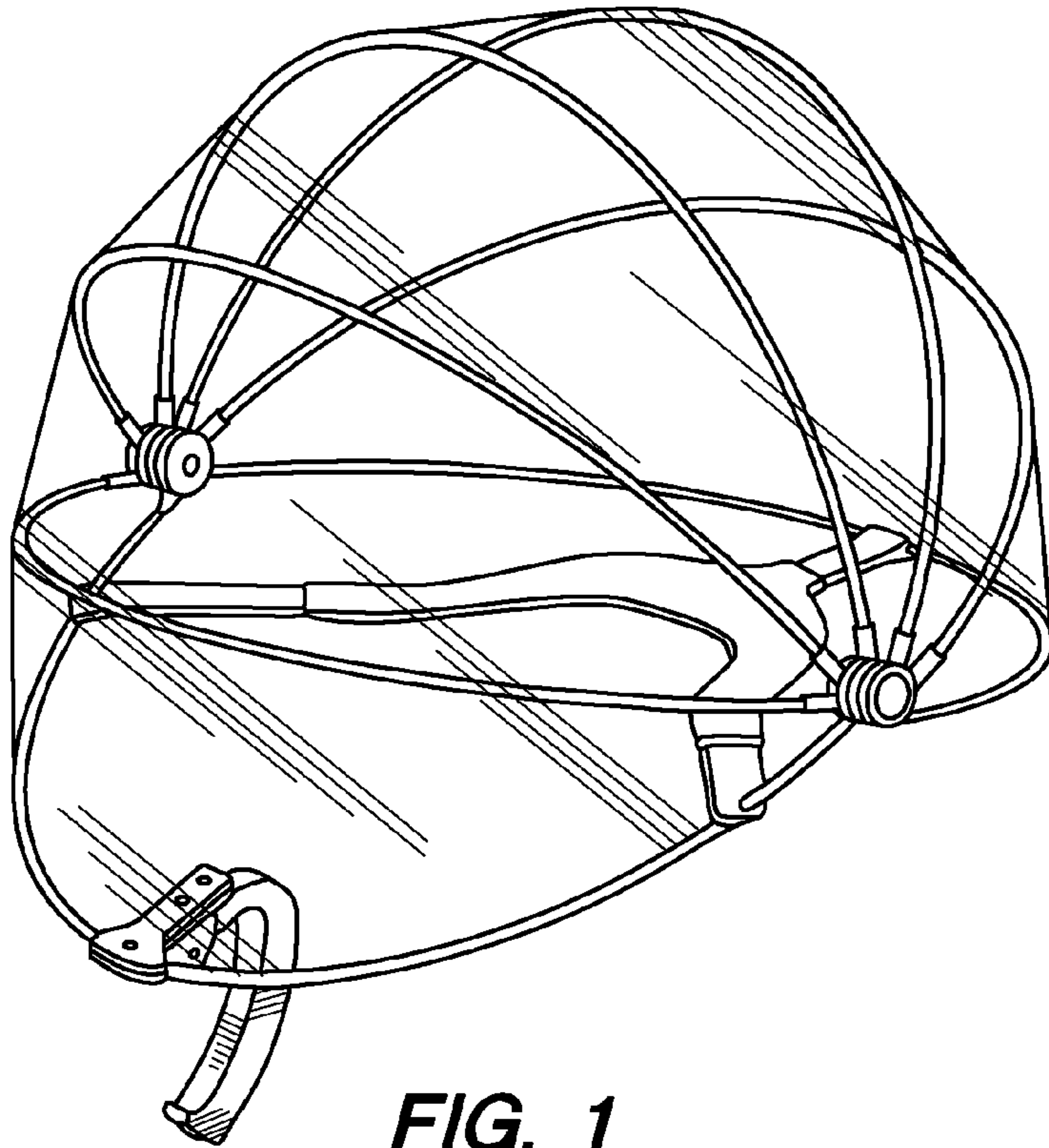
FIG. 18 is a bottom view of the umbrella shown in FIG. 13; and,

FIG. 19 is a perspective view of the umbrella, shown in FIG. 1, showing the umbrella in its environment.

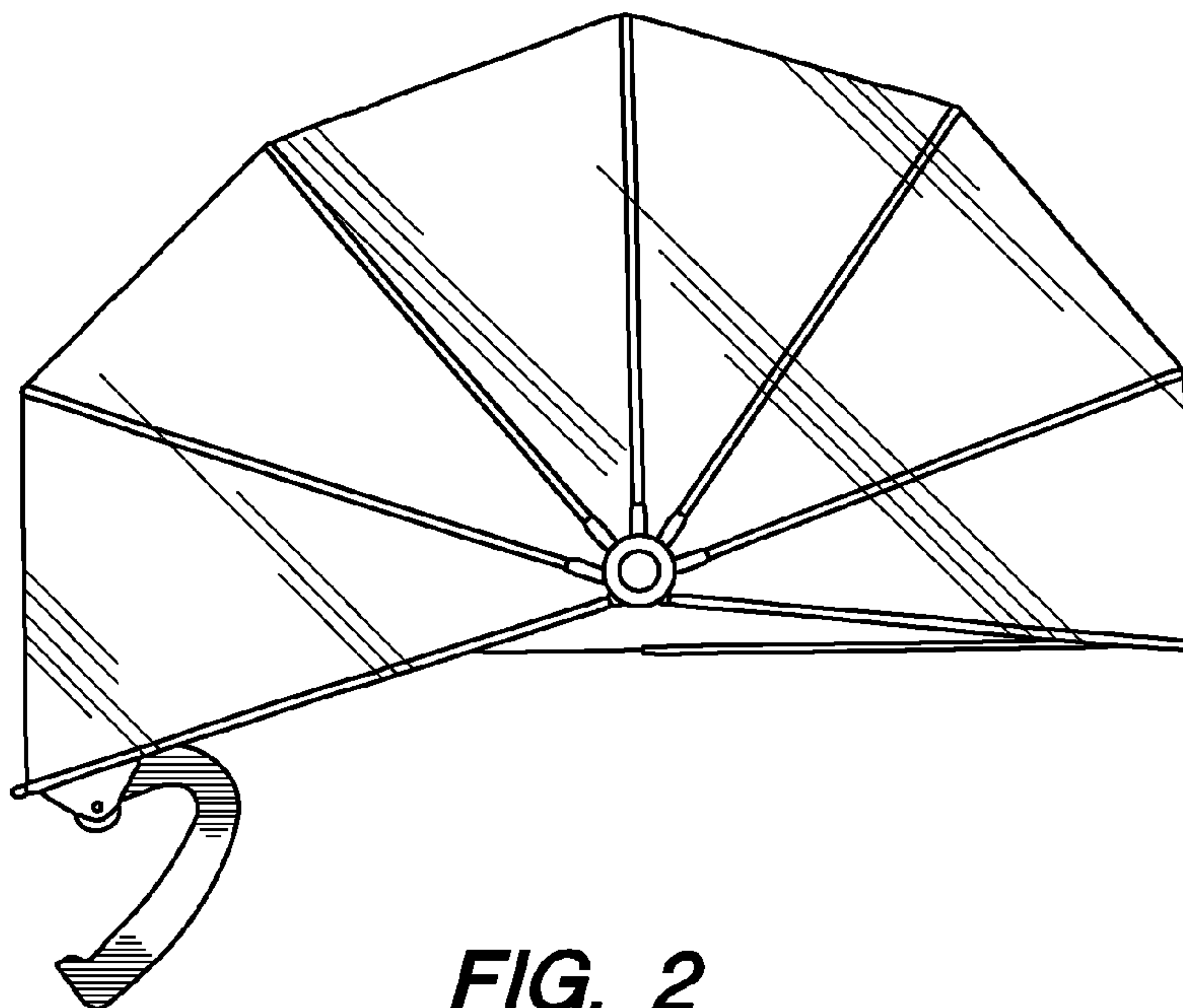
The broken lines of the person are for illustrative purposes only and form no part of the claimed design.

**1 Claim, 10 Drawing Sheets**



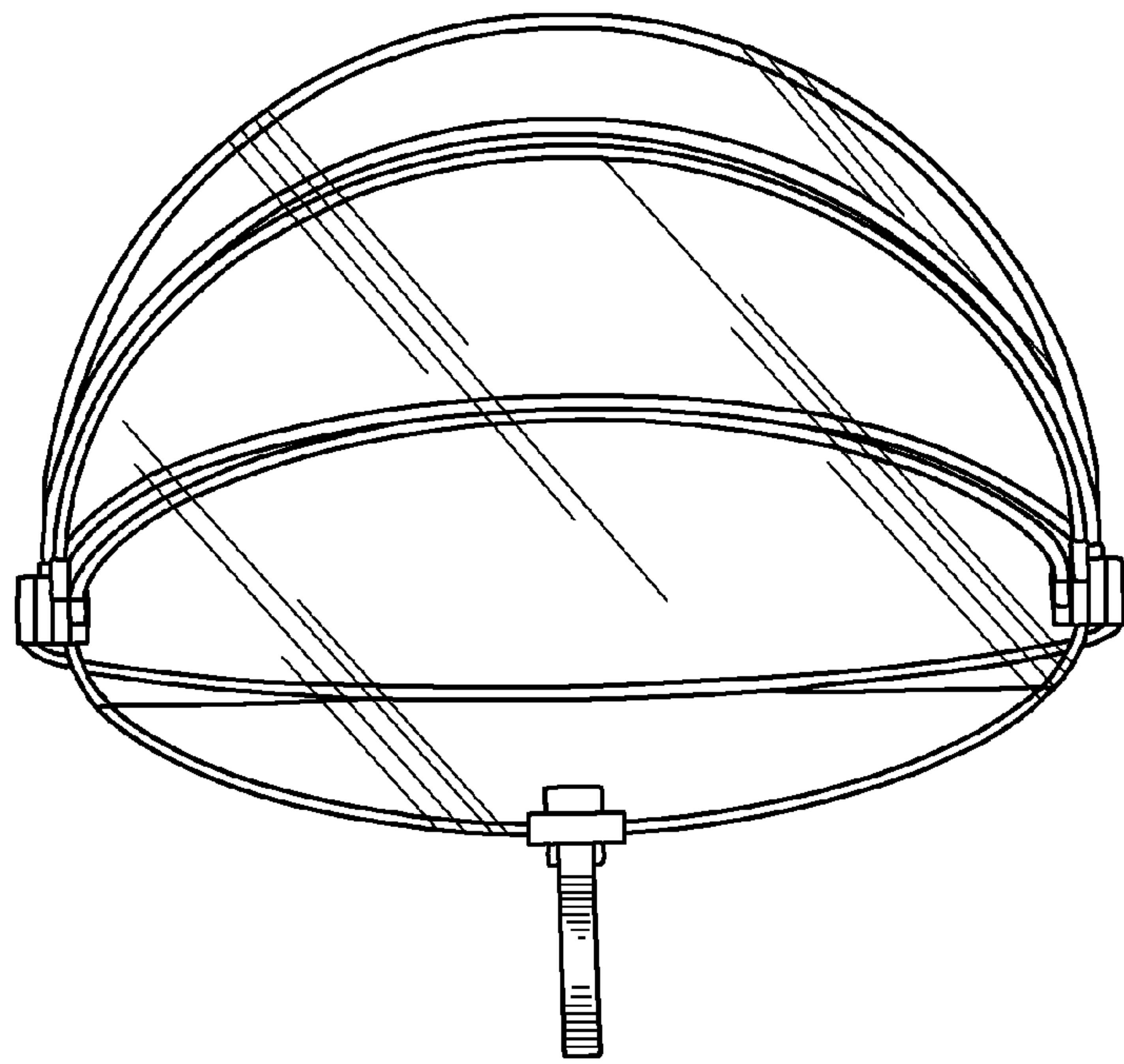


**FIG. 1**

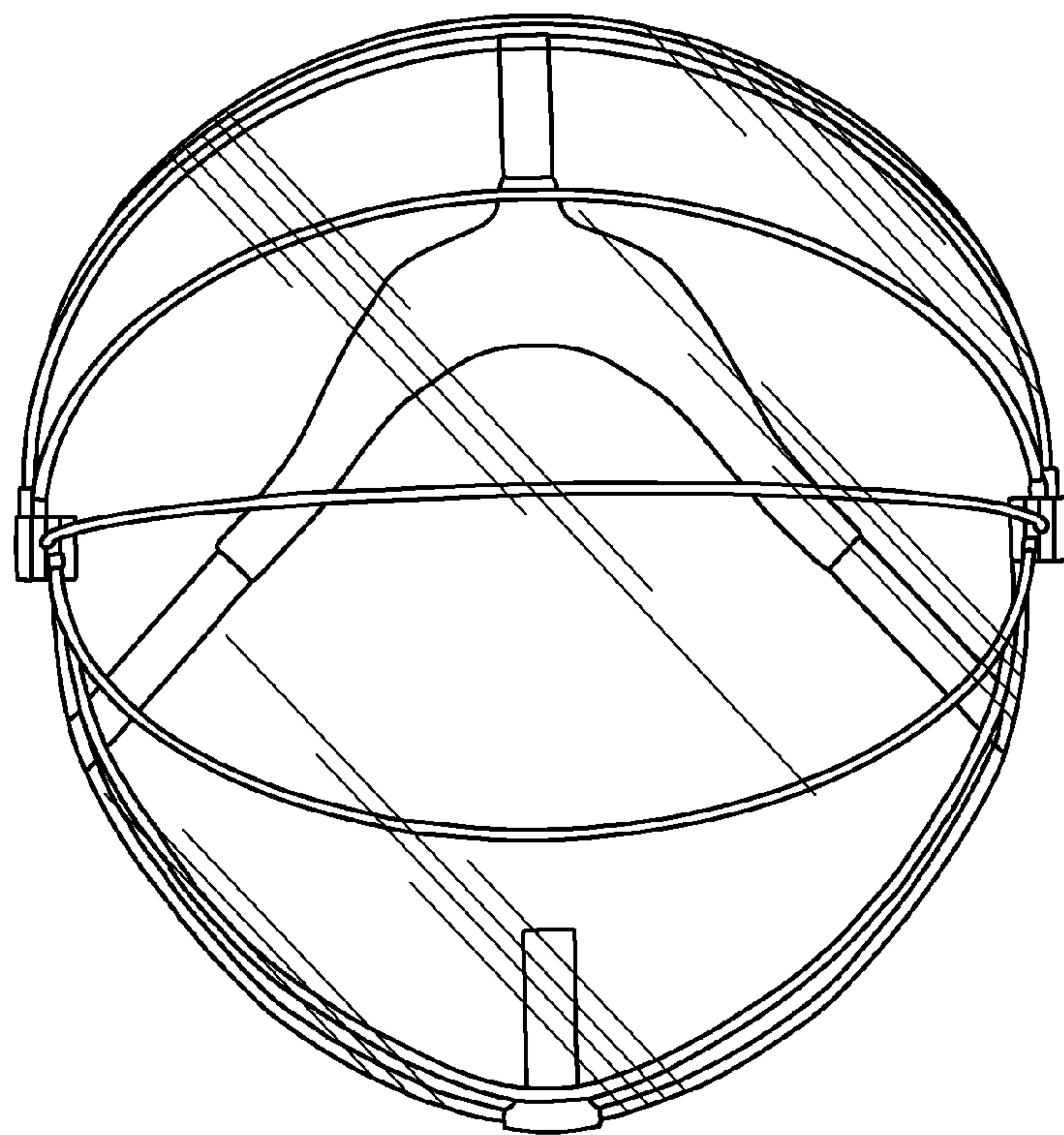


**FIG. 2**

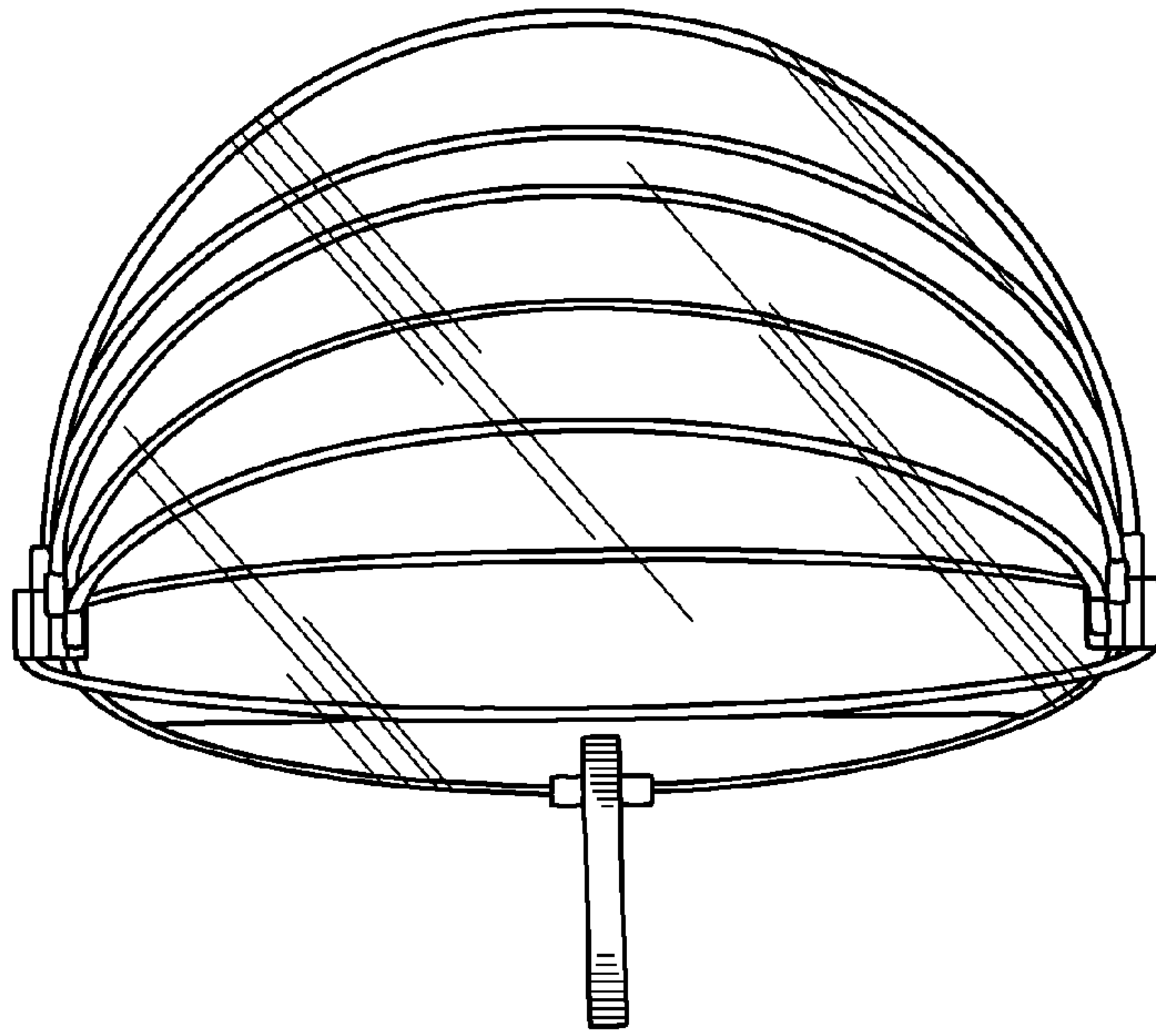




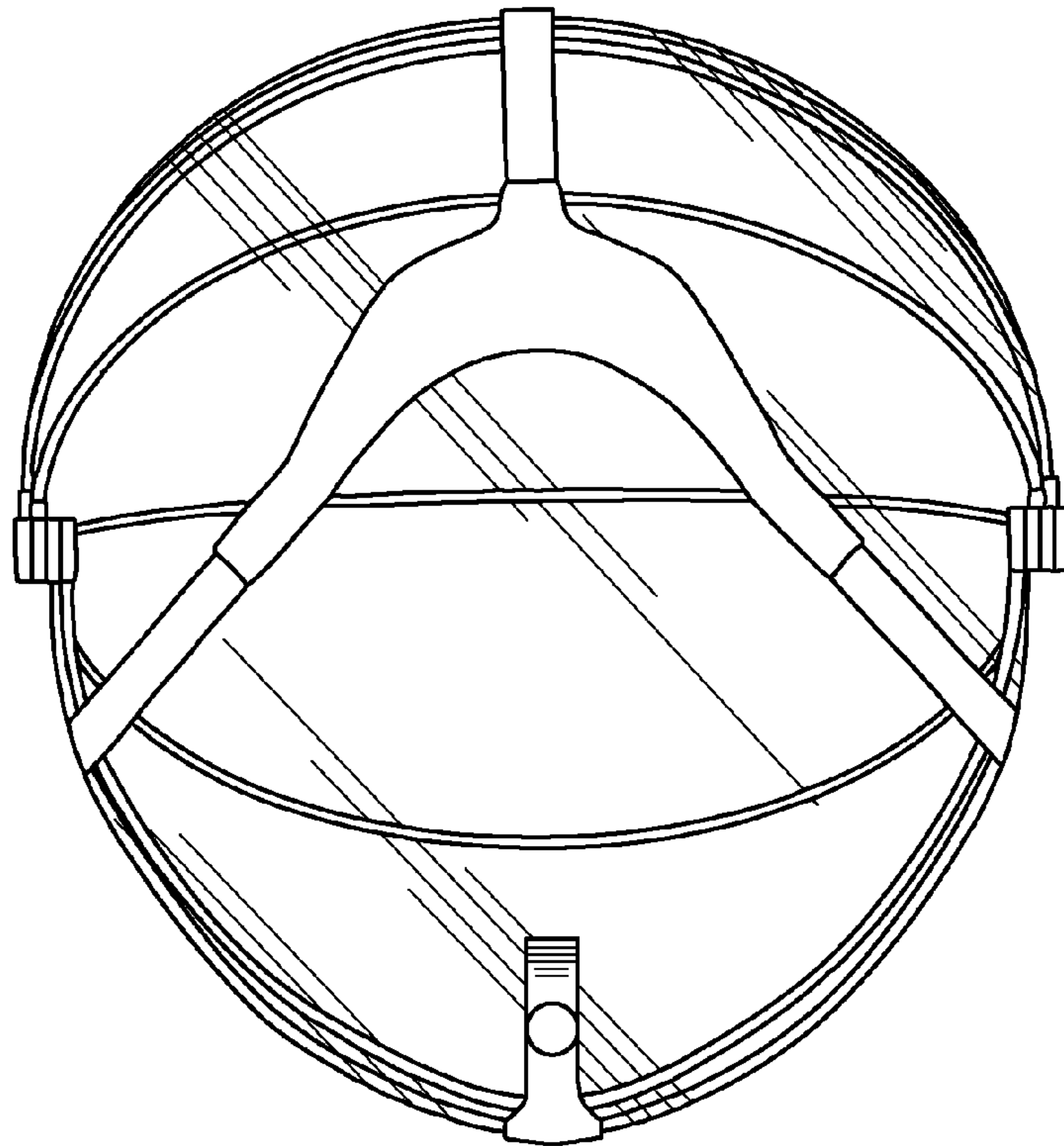
**FIG. 3**



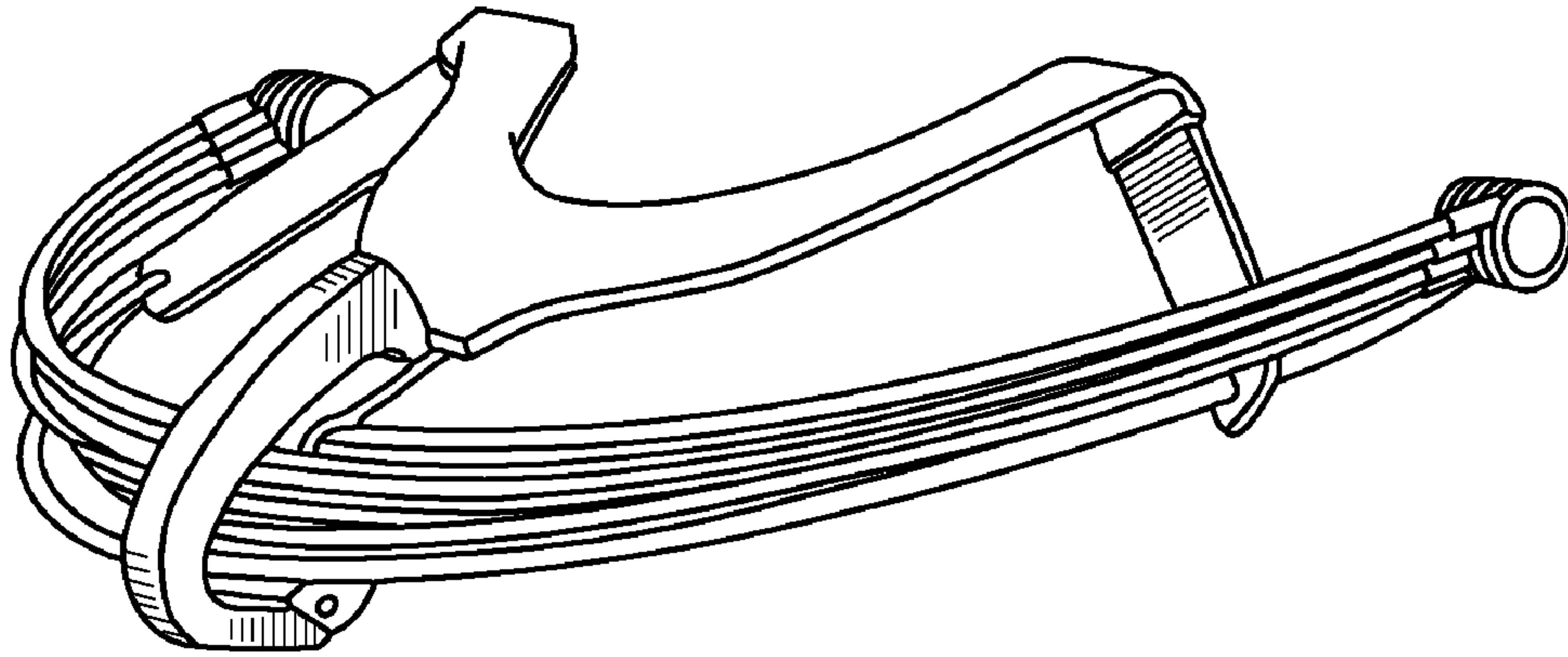
**FIG. 4**



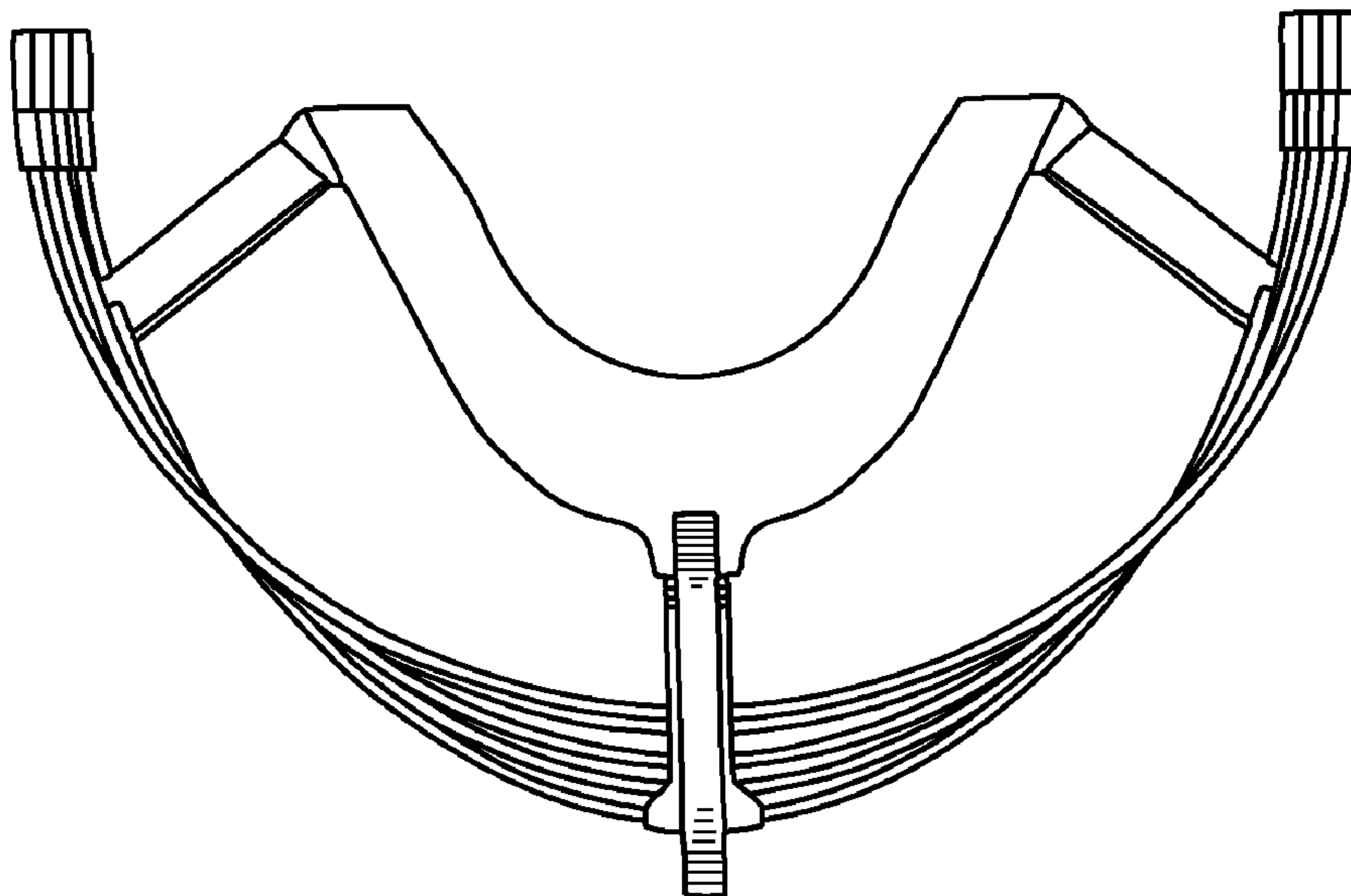
**FIG. 5**



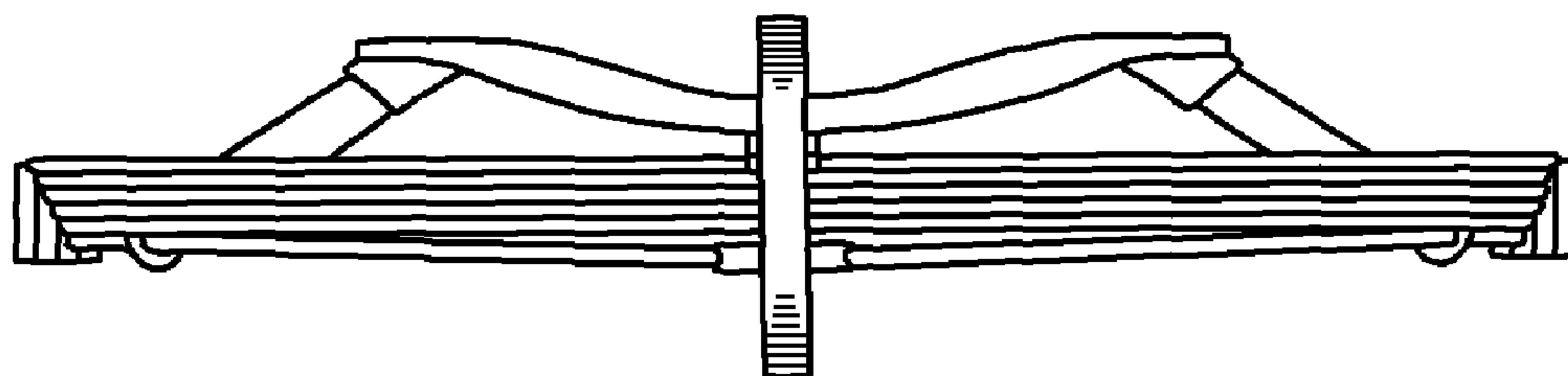
**FIG. 6**



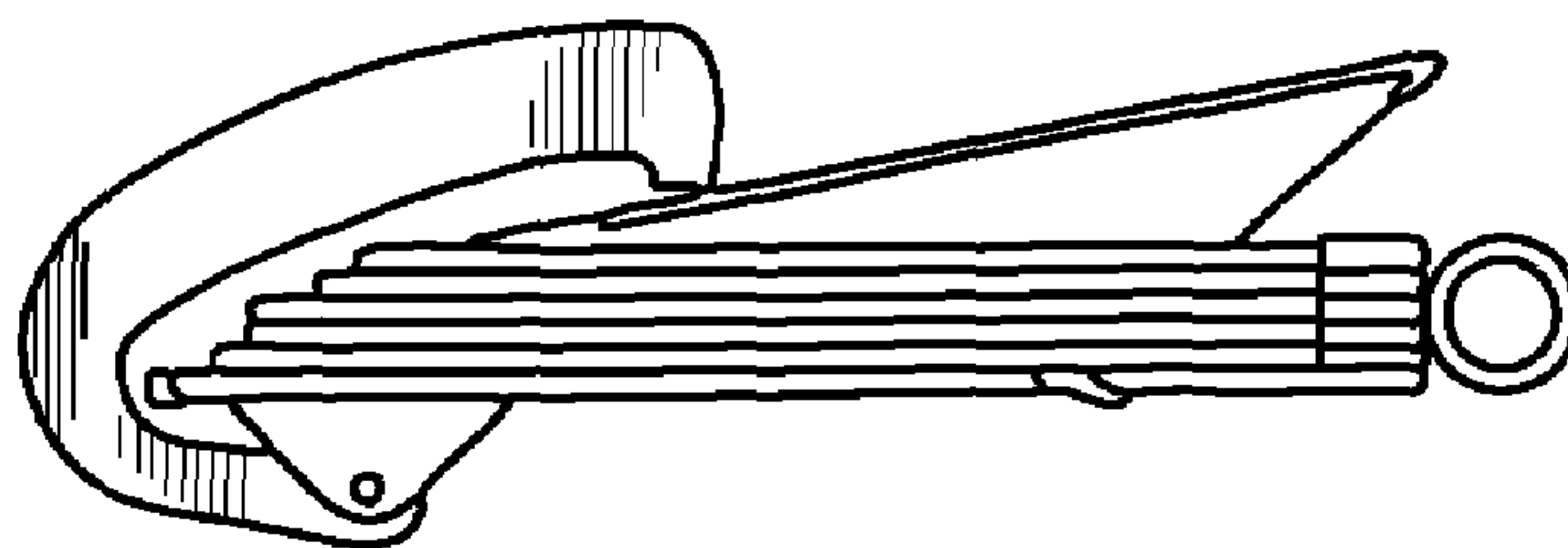
**FIG. 7**



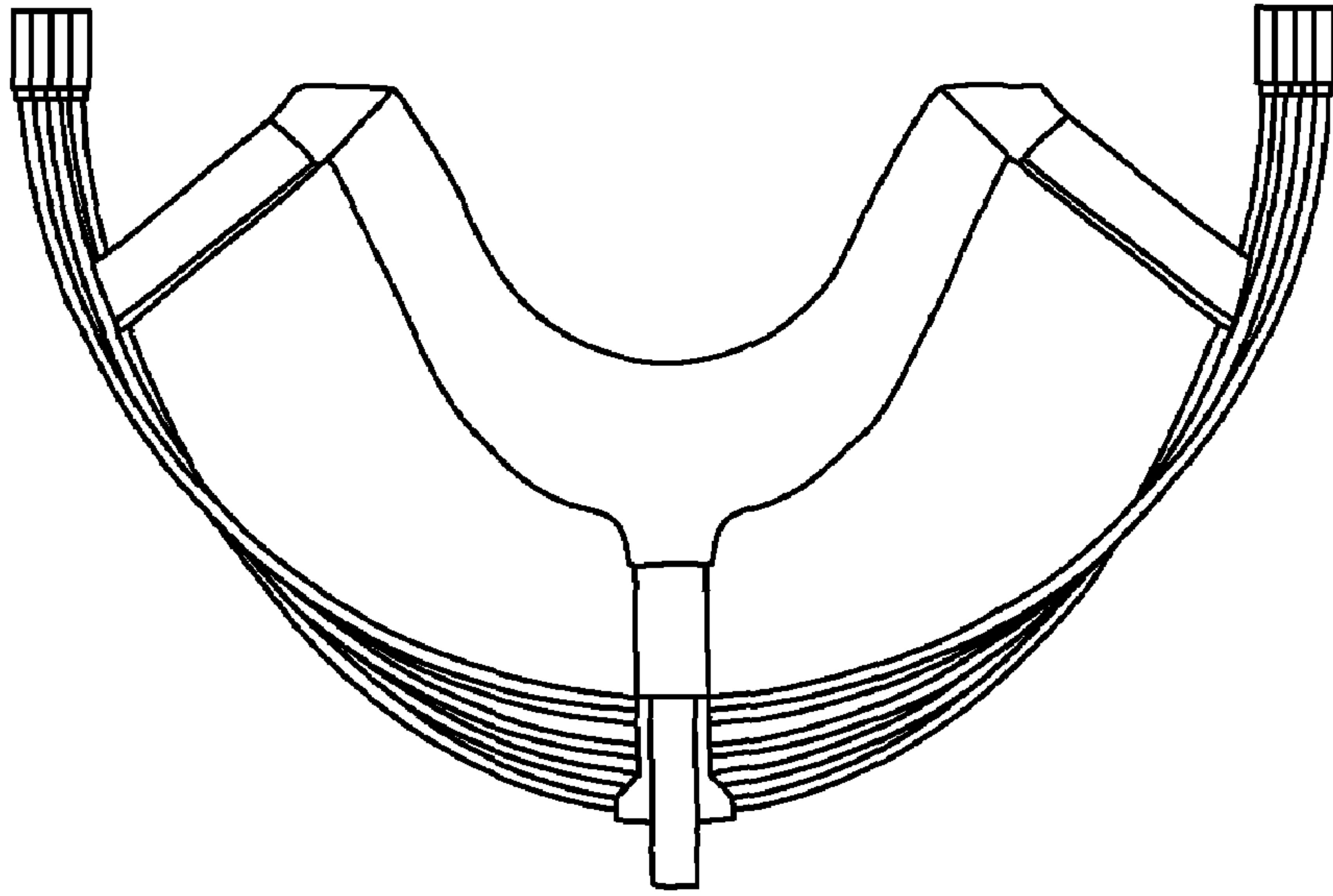
**FIG. 8**



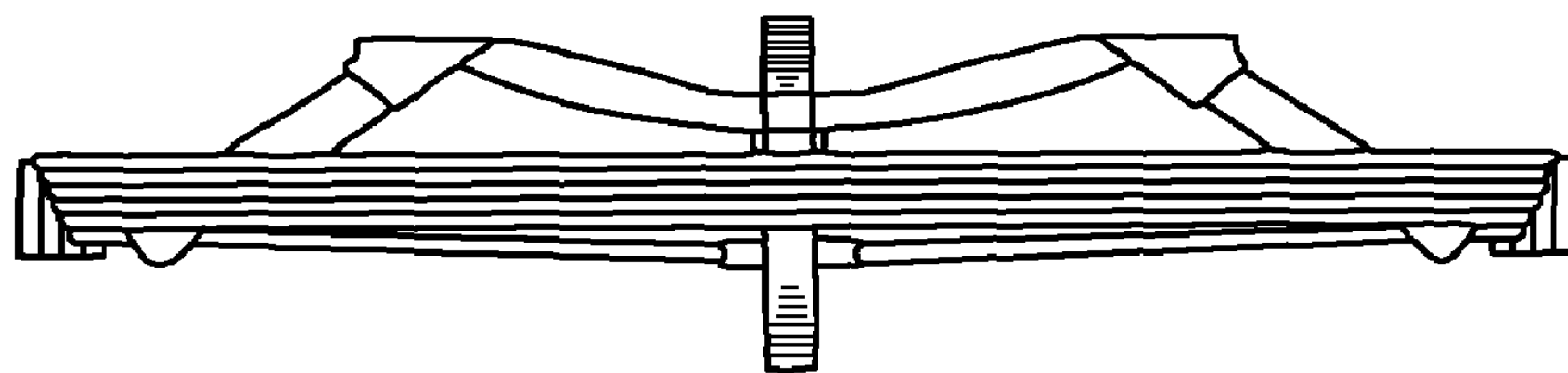
**FIG. 9**



**FIG. 10**

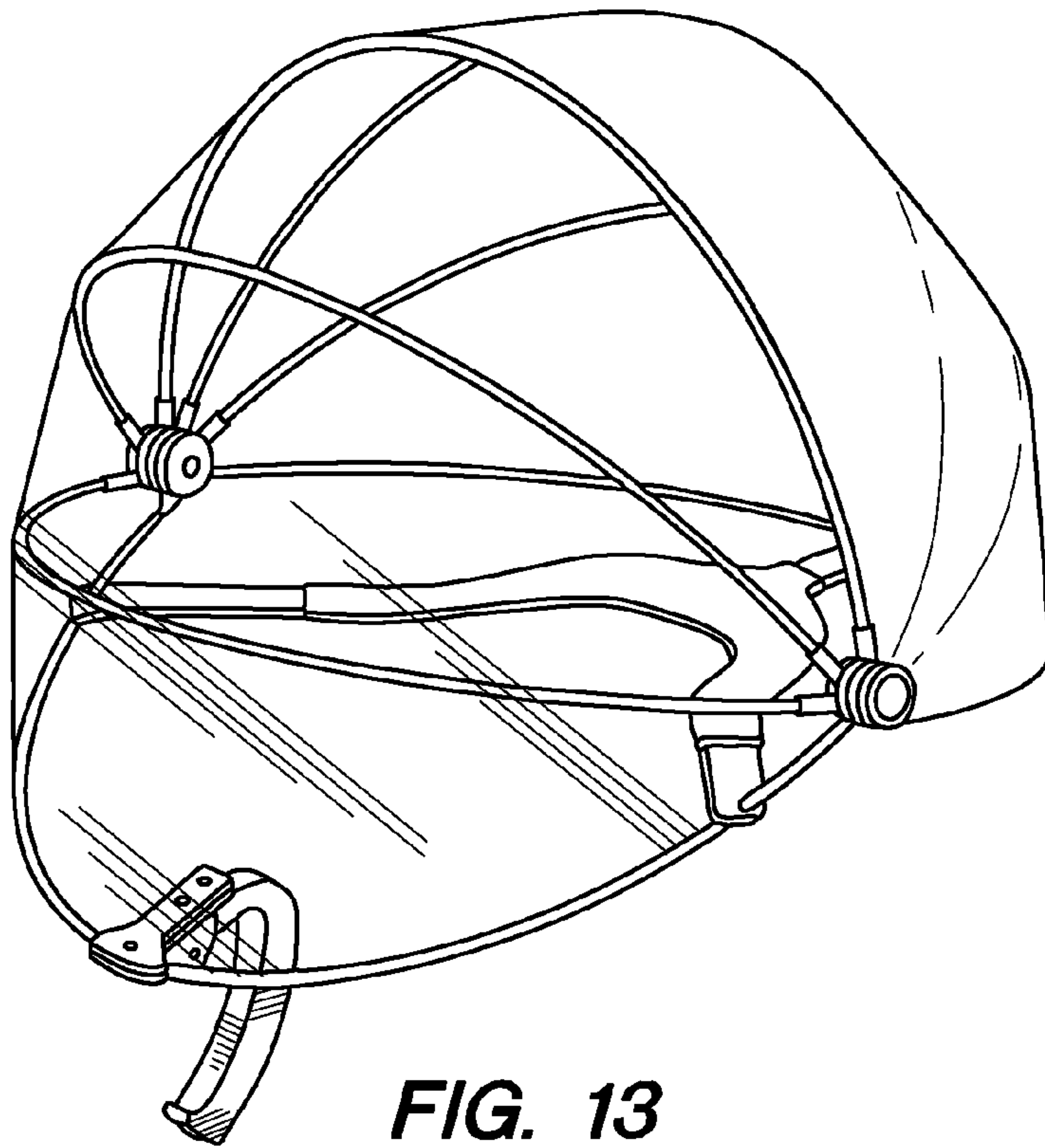


**FIG. 11**

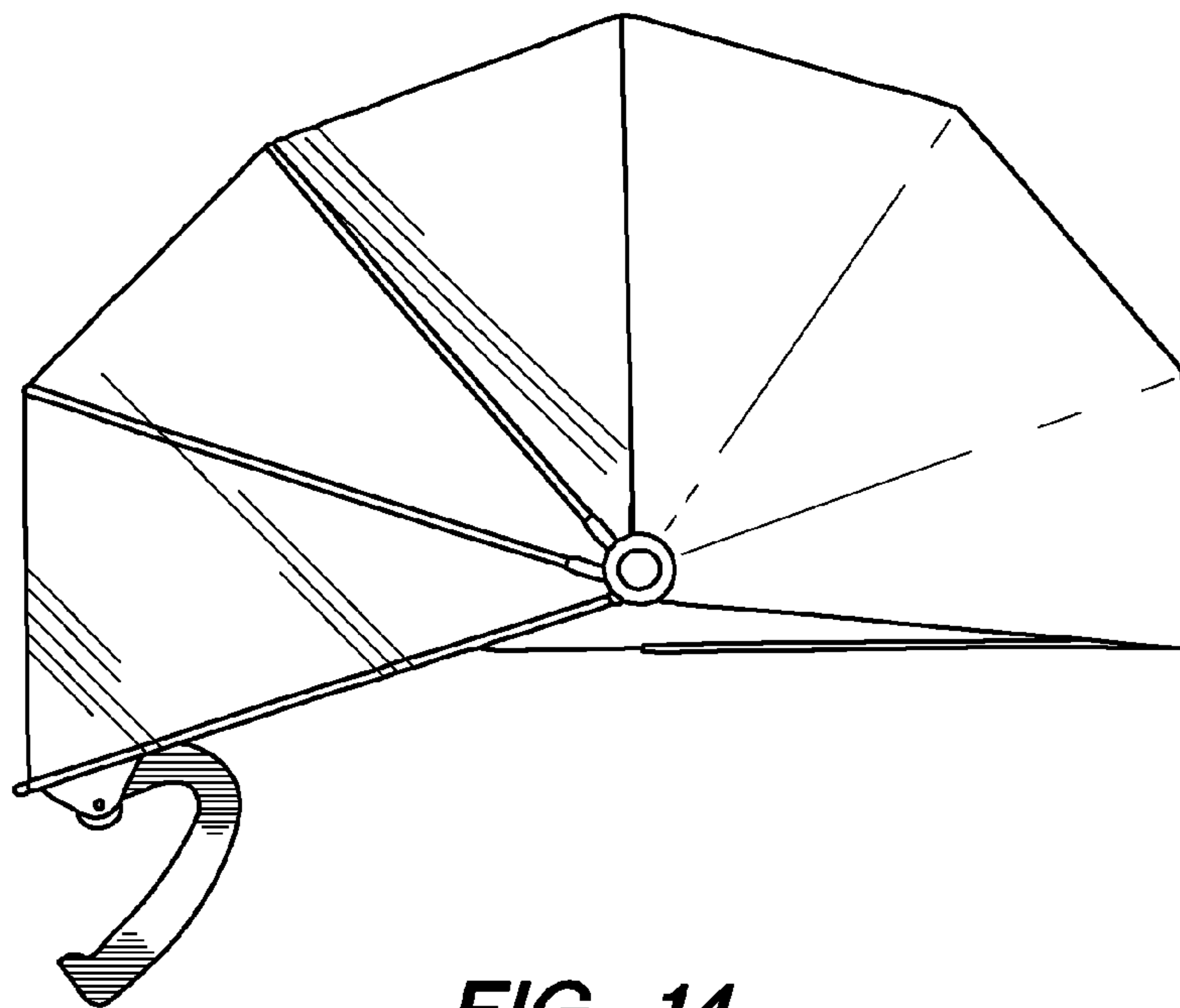


**FIG. 12**



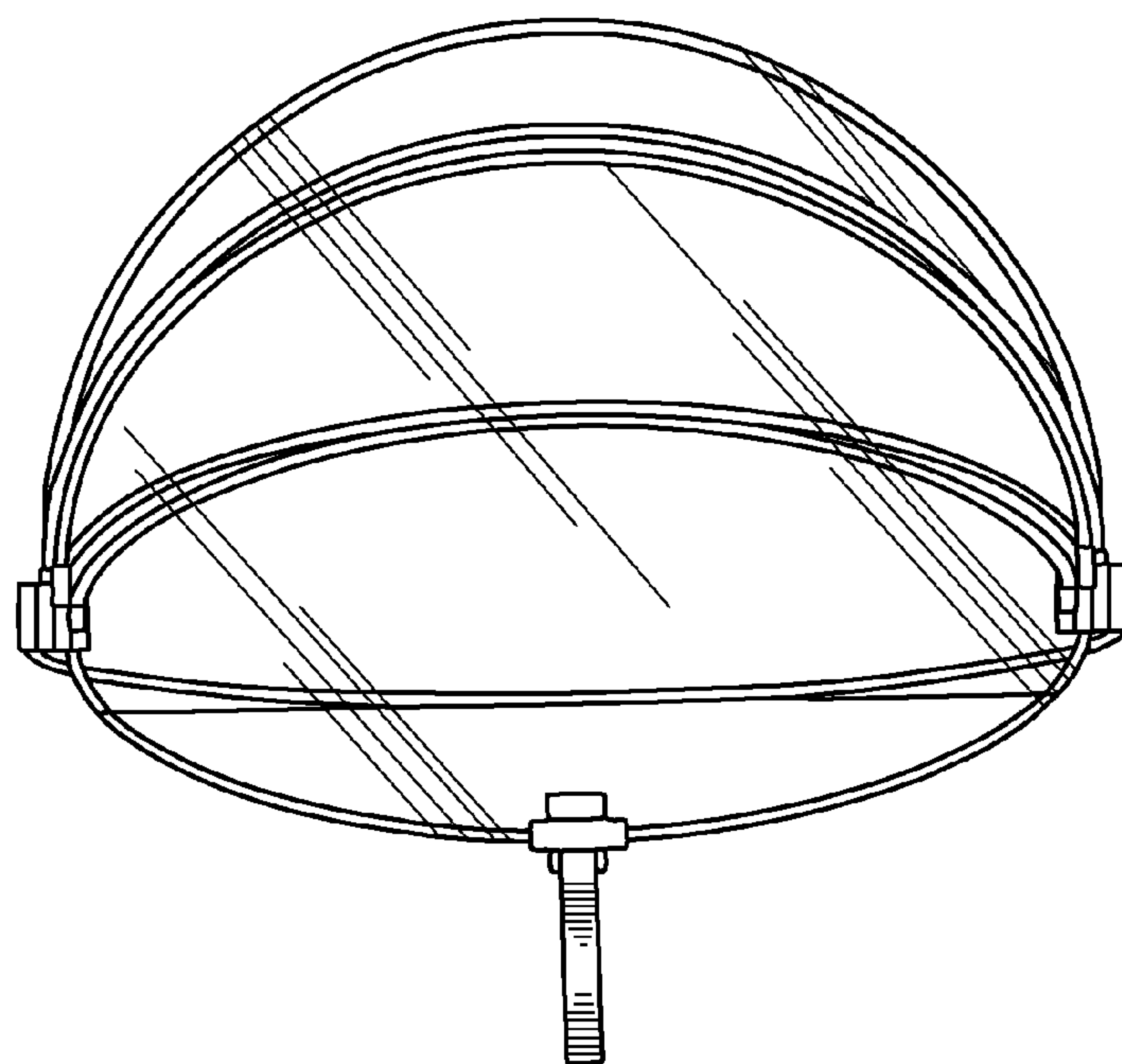


**FIG. 13**

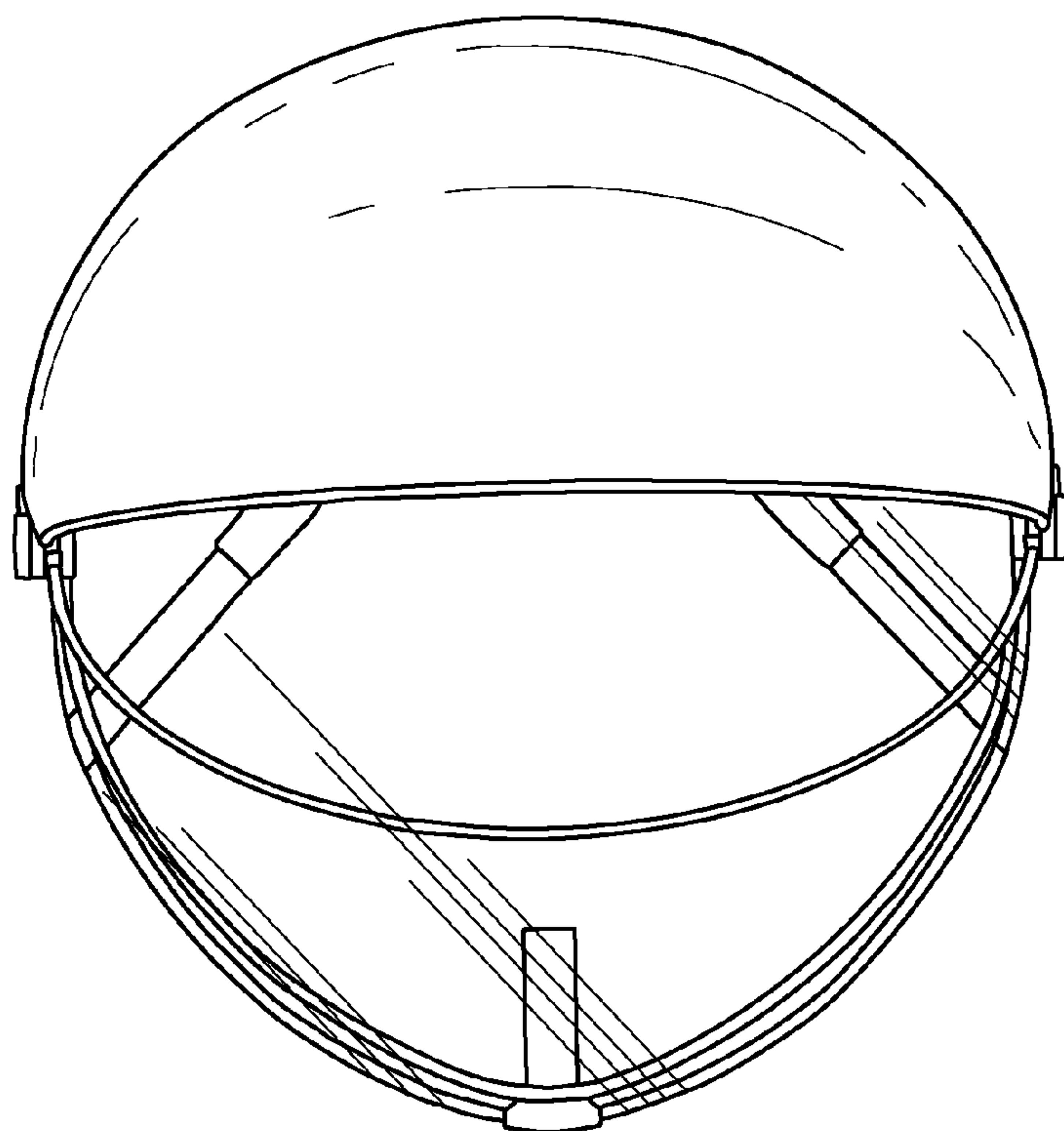


**FIG. 14**

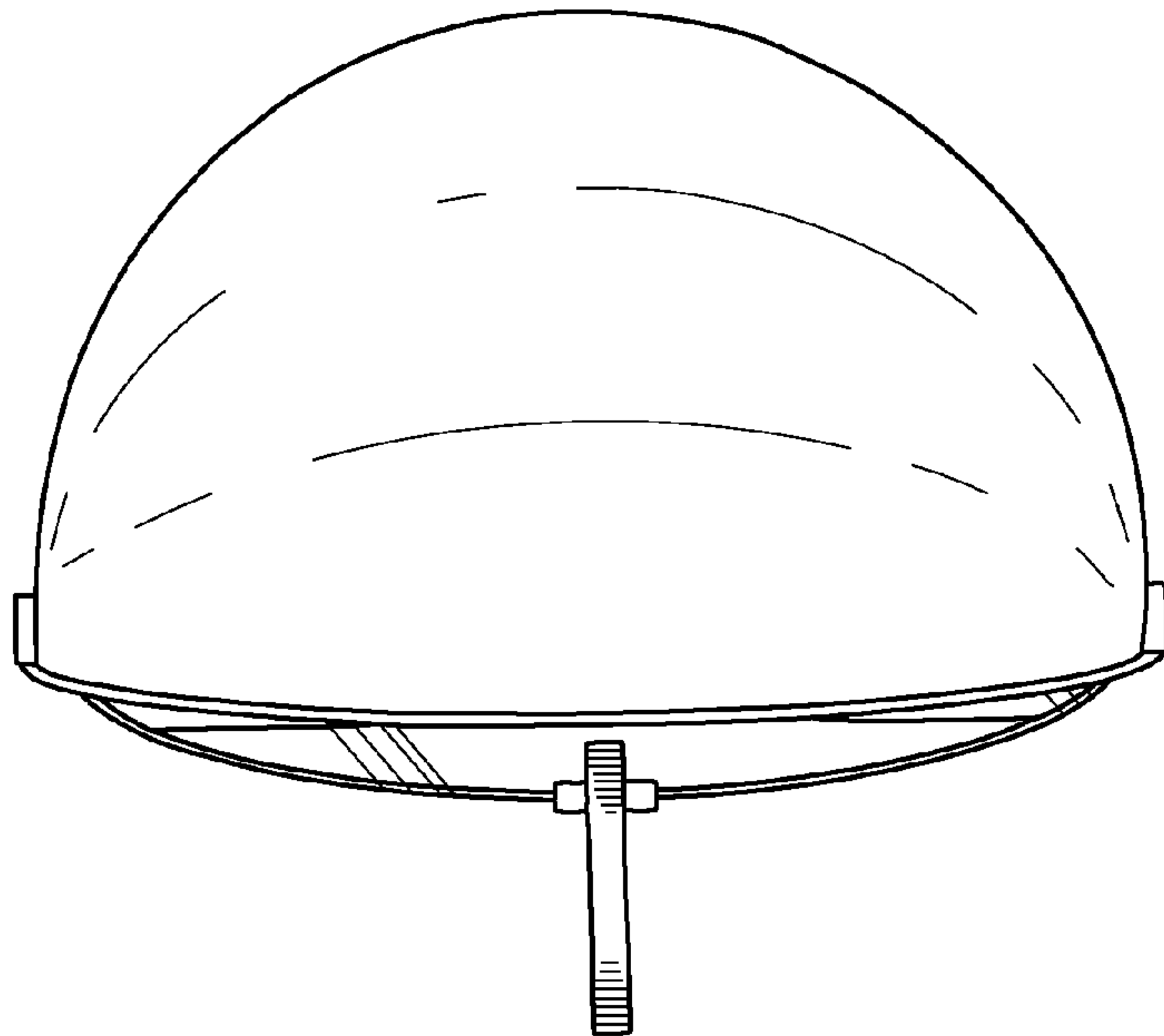




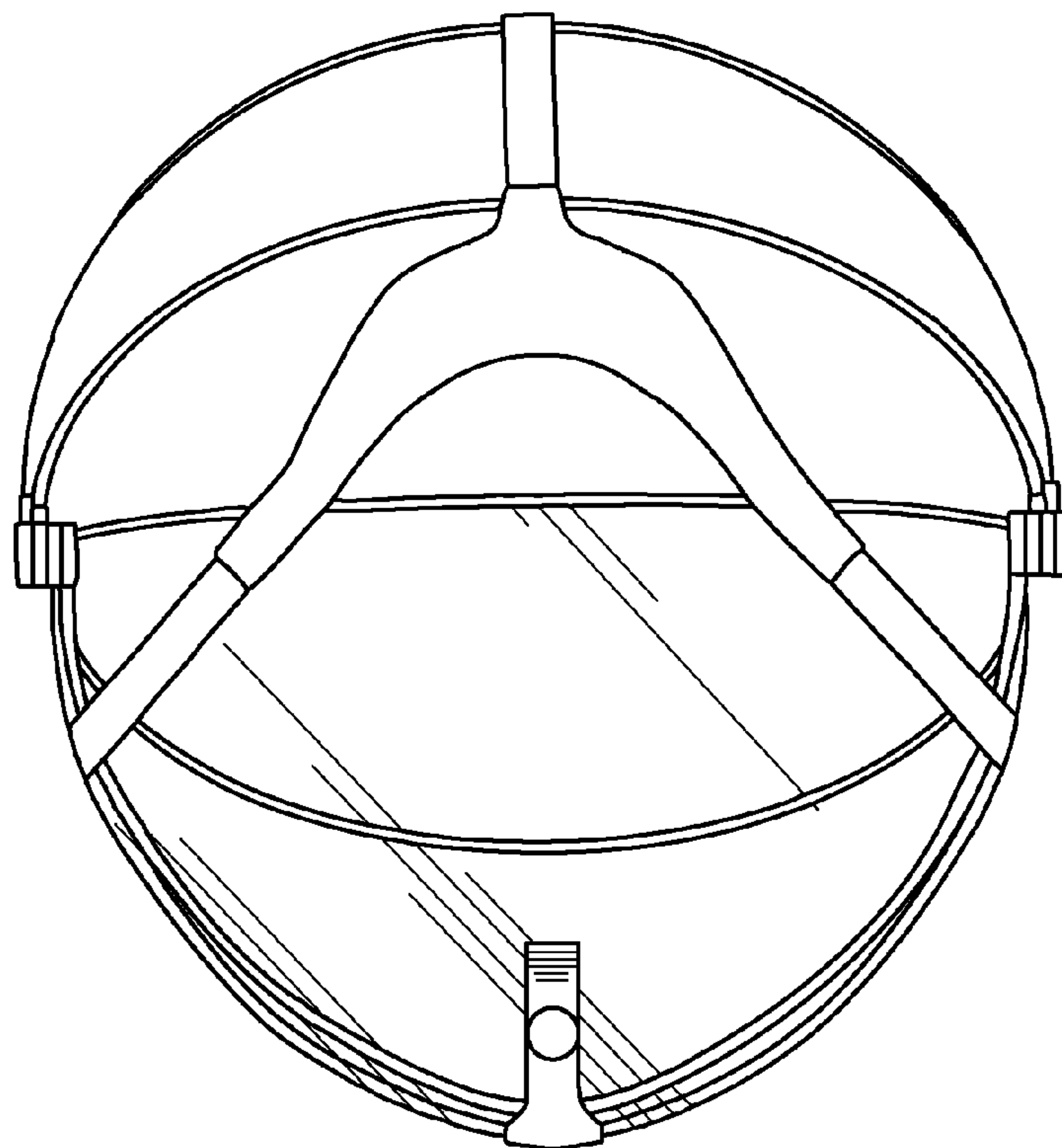
**FIG. 15**



**FIG. 16**



**FIG. 17**



**FIG. 18**



**FIG. 19**