



US00D590136S

(12) **United States Design Patent**  
**Campos, Sr. et al.**

(10) **Patent No.:**        **US D590,136 S**  
(45) **Date of Patent:**   **\*\* Apr. 14, 2009**

(54) **PONYTAIL CAP**

(76) Inventors: **Robert Campos, Sr.**, 824 Spoonbill La.,  
Suisun City, CA (US) 94585; **Deserie**  
**Campos, Sr.**, 824 Spoonbill La., Suisun  
City, CA (US) 94585

(\*\*) Term:       **14 Years**

(21) Appl. No.: **29/303,004**

(22) Filed:       **Jan. 30, 2008**

(51) **LOC (9) Cl.** ..... **02-03**

(52) **U.S. Cl.** ..... **D2/882**

(58) **Field of Classification Search** ..... D2/865,  
D2/866, 867, 868, 869, 870, 872, 873, 874,  
D2/875, 876, 877, 878, 879, 880, 881, 882,  
D2/884, 886, 890, 891, 892, 893, 894, 895;  
2/68, 171, 171.4, 171.5, 173.5, 174, 175.1,  
2/175.2, 181.2, 181.4, 182.8, 183, 184, 195.1,  
2/195.2, 195.3, 195.4, 200.1, 200.2, 202,  
2/209.11, 209.12, 209.13, 209.14, 209.3,  
2/209.5, 209.7

See application file for complete search history.

(56)               **References Cited**

U.S. PATENT DOCUMENTS

D42,913	S	*	8/1912	Drullard	.....	D2/880
1,787,378	A	*	12/1930	Hollenbeck	.....	2/195.1
D152,265	S	*	1/1949	Hoteleli	.....	D2/882
3,039,113	A	*	6/1962	Lipschutz	.....	2/195.1
D250,676	S	*	1/1979	McKinsey, Jr.	.....	D2/876
4,249,269	A	*	2/1981	Price	.....	2/195.5
D273,436	S	*	4/1984	Lipschutz	.....	D2/872
4,982,449	A	*	1/1991	Finkelstein	.....	2/200.1
D336,357	S	*	6/1993	Gravante	.....	D2/872
5,325,540	A	*	7/1994	Kronenberger	.....	2/209.3
D360,519	S	*	7/1995	Bailey	.....	D2/876
5,509,145	A	*	4/1996	Stevenson et al.	.....	2/195.1
5,511,249	A	*	4/1996	Higgins	.....	2/209.7
D370,334	S	*	6/1996	Stevenson et al.	.....	D2/882
D399,639	S	*	10/1998	Bartz	.....	D2/876

5,933,872	A	*	8/1999	Lema	.....	2/209.7
D420,207	S	*	2/2000	Barton et al.	.....	D2/889
D425,688	S	*	5/2000	Richlin	.....	D2/865
D444,618	S	*	7/2001	Wilson	.....	D2/882
6,711,749	B2	*	3/2004	White et al.	.....	2/195.8
D496,146	S	*	9/2004	Appleberry	.....	D2/876
2004/0006809	A1	*	1/2004	Crenshaw et al.	.....	2/209.3
2006/0010566	A1	*	1/2006	Ridgeway	.....	2/171
2006/0191057	A1	*	8/2006	Lynn	.....	2/171
2007/0022517	A1	*	2/2007	Kronenberger	.....	2/195.1
2007/0220656	A1	*	9/2007	Cotutsca	.....	2/171
2007/0250987	A1	*	11/2007	Adkins	.....	2/209.3

\* cited by examiner

*Primary Examiner*—Caron Veynar  
*Assistant Examiner*—Karen E Eldridge Powers

(57)               **CLAIM**

We claim, the ornamental design for the ponytail cap, as shown and described.

**DESCRIPTION**

FIG. 1 is a front elevational view of the ponytail cap showing my new design;

FIG. 2 is a rear elevational view of the ponytail cap thereof;

FIG. 3 is a left-side elevational view of the ponytail cap thereof;

FIG. 4 is a right side elevational view of the ponytail cap thereof;

FIG. 5 is a top plan view of the ponytail cap thereof;

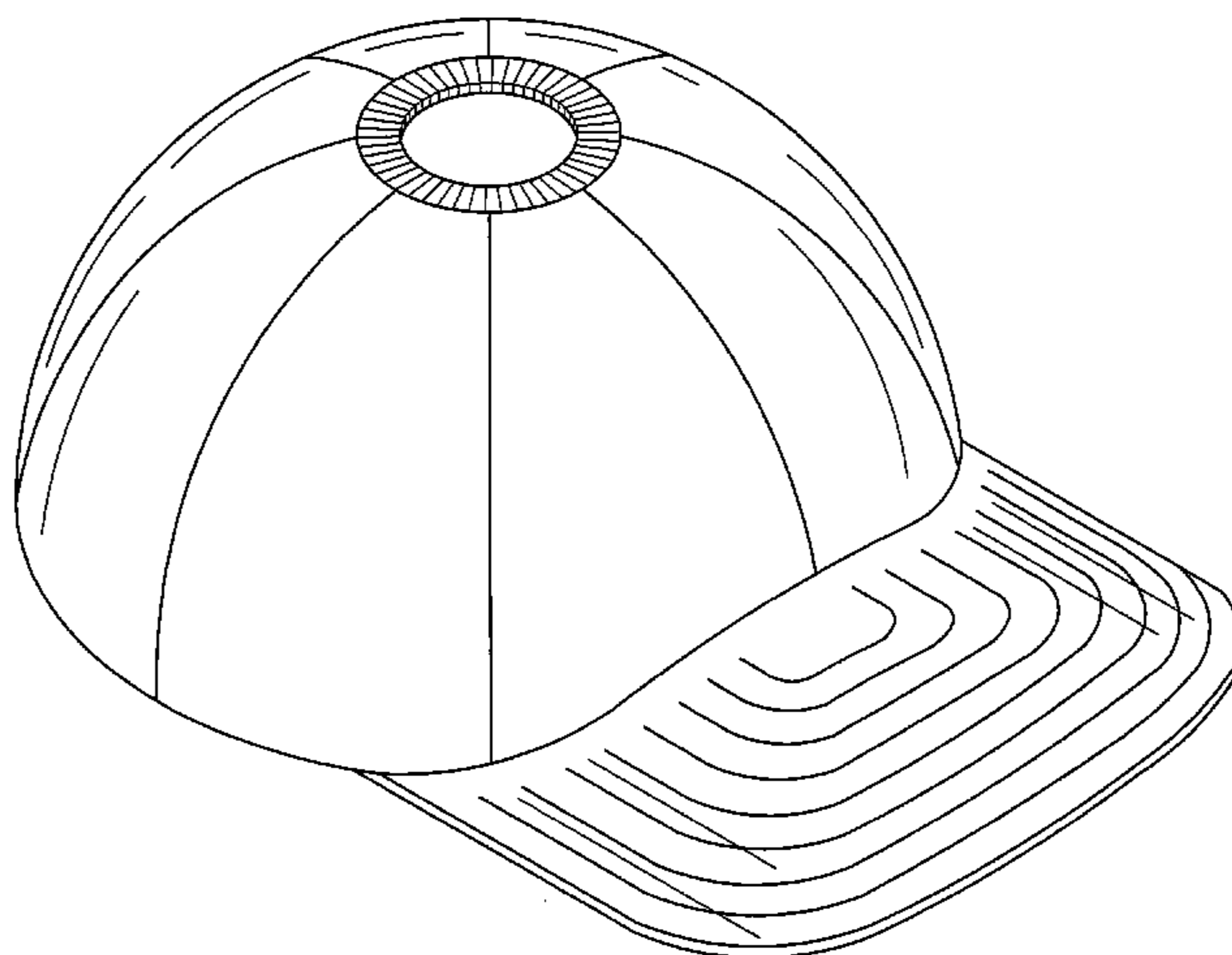
FIG. 6 is a bottom plan view of the ponytail cap thereof;

FIG. 7 is a perspective view of the ponytail cap thereof; and,

FIG. 8 is a perspective view of the ponytail cap as worn by a user.

The broken lines showing a woman's head, neck, and ponytail in FIG. 8 illustrate environmental matter and form no part of the claimed design. They are meant to show the claimed design in use.

**1 Claim, 8 Drawing Sheets**



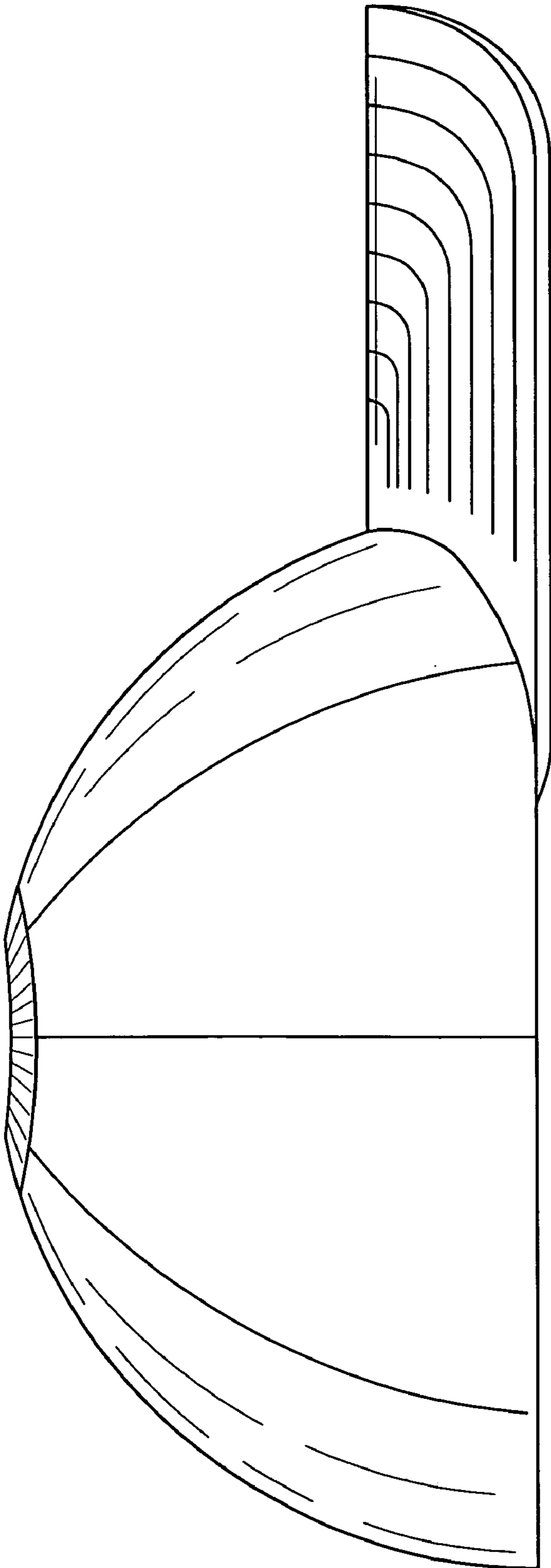


FIG. 1

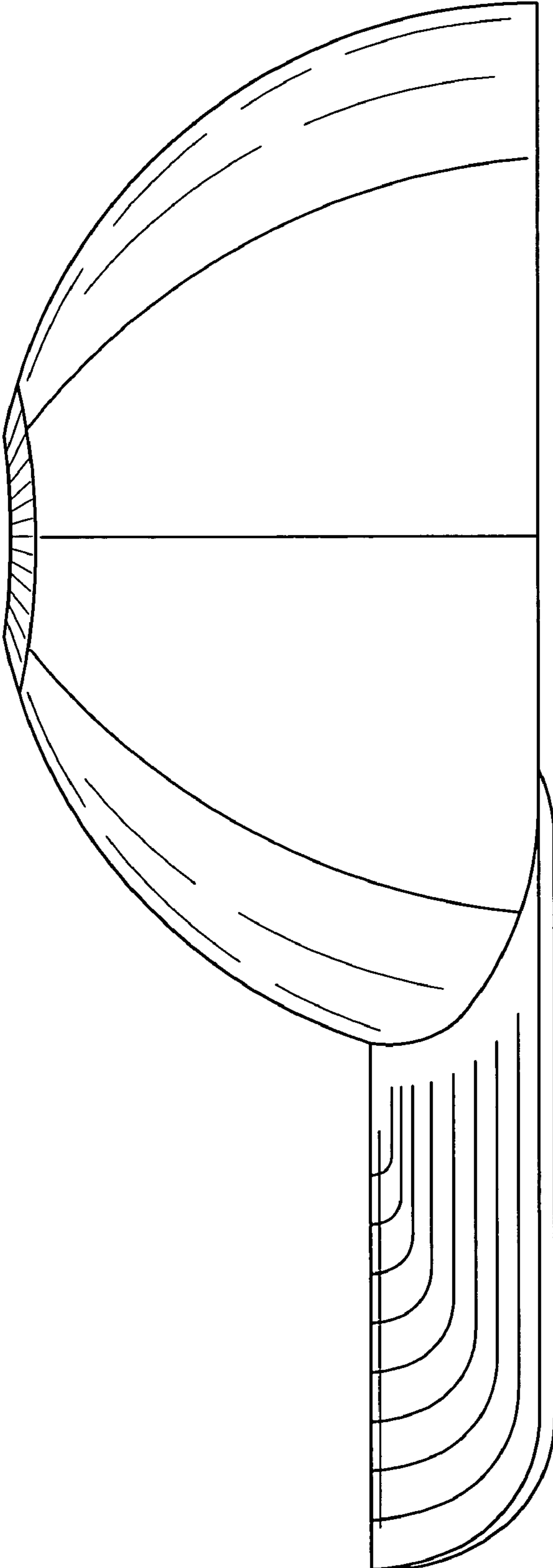


FIG. 2

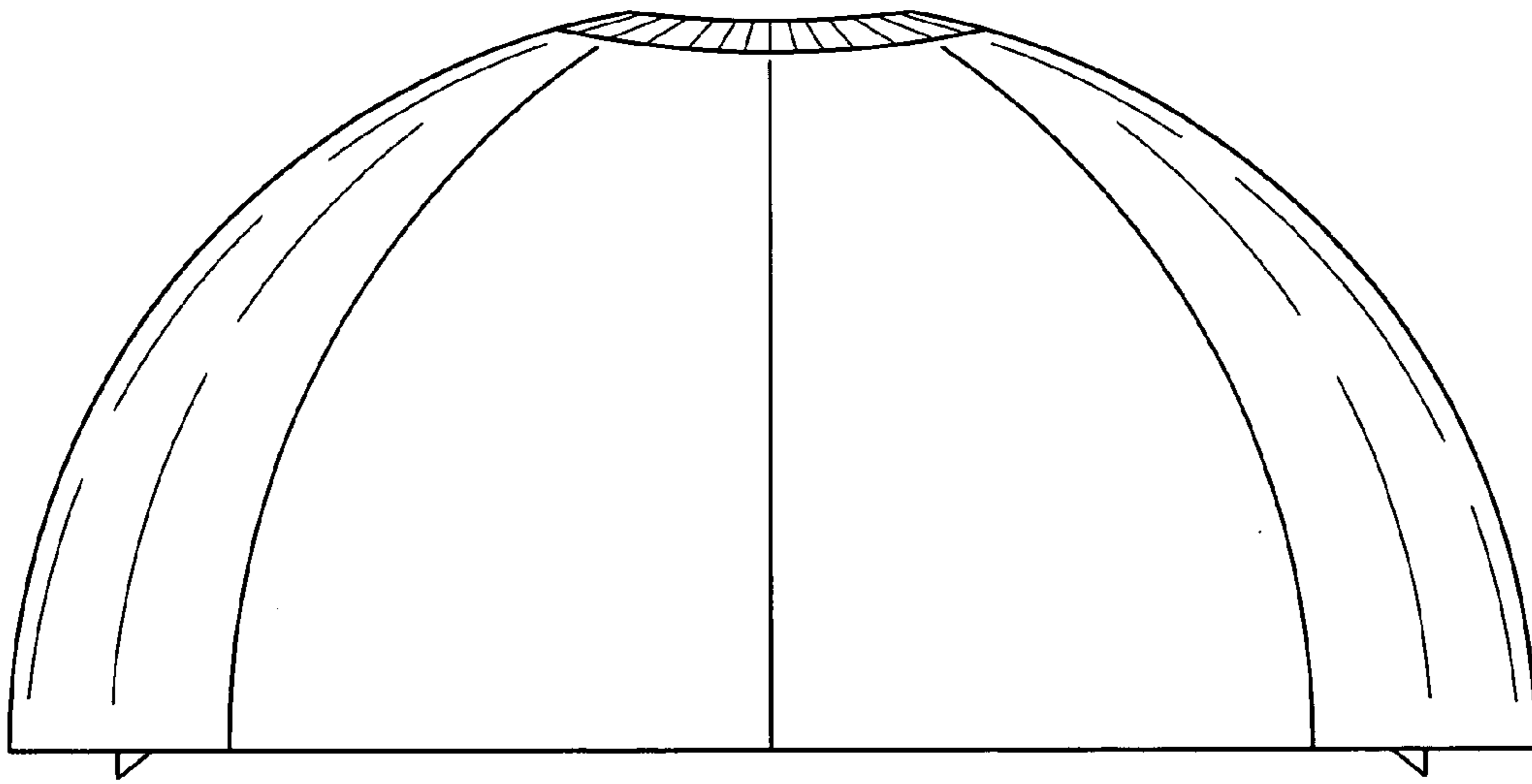


FIG. 3

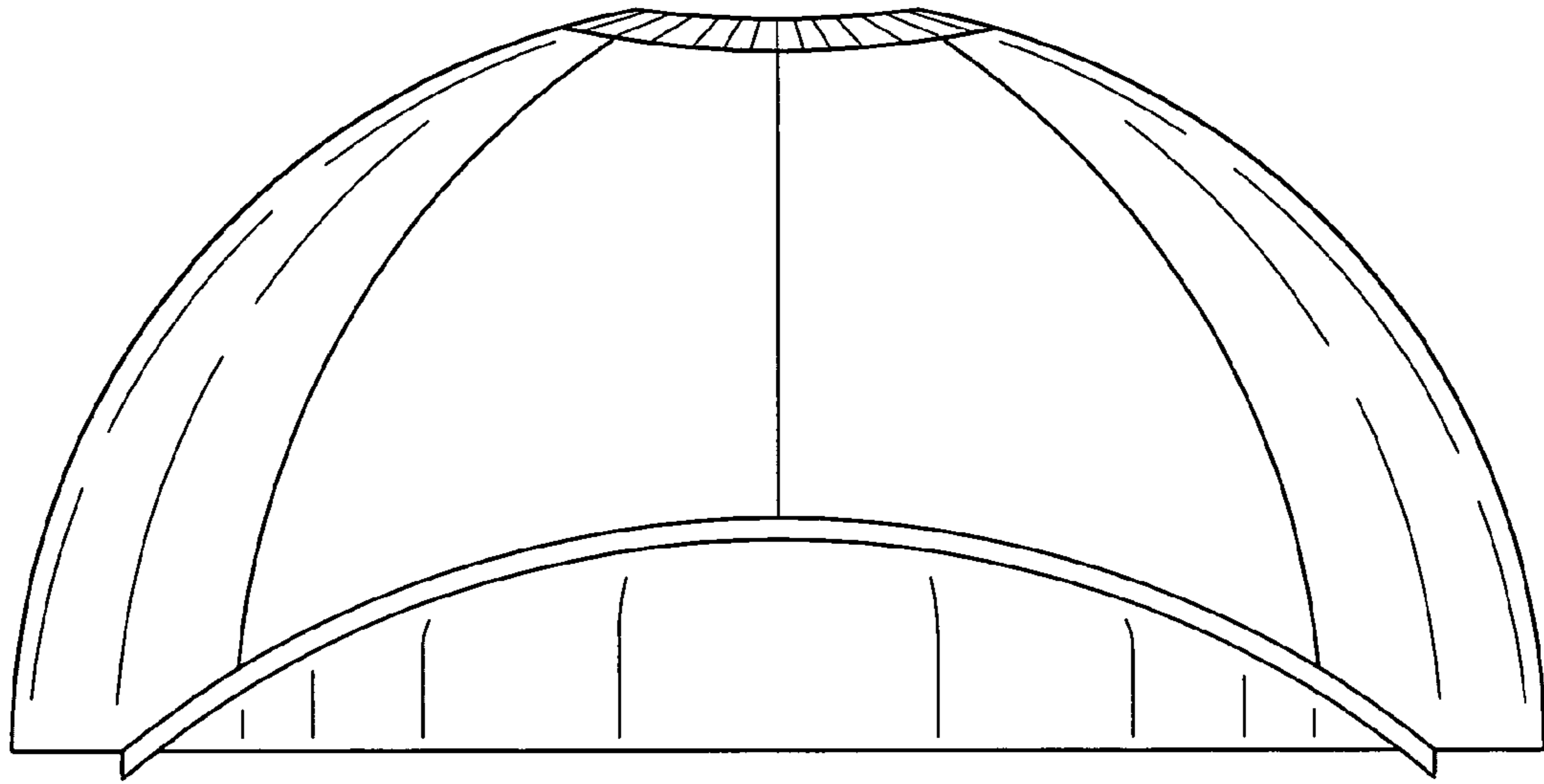


FIG. 4

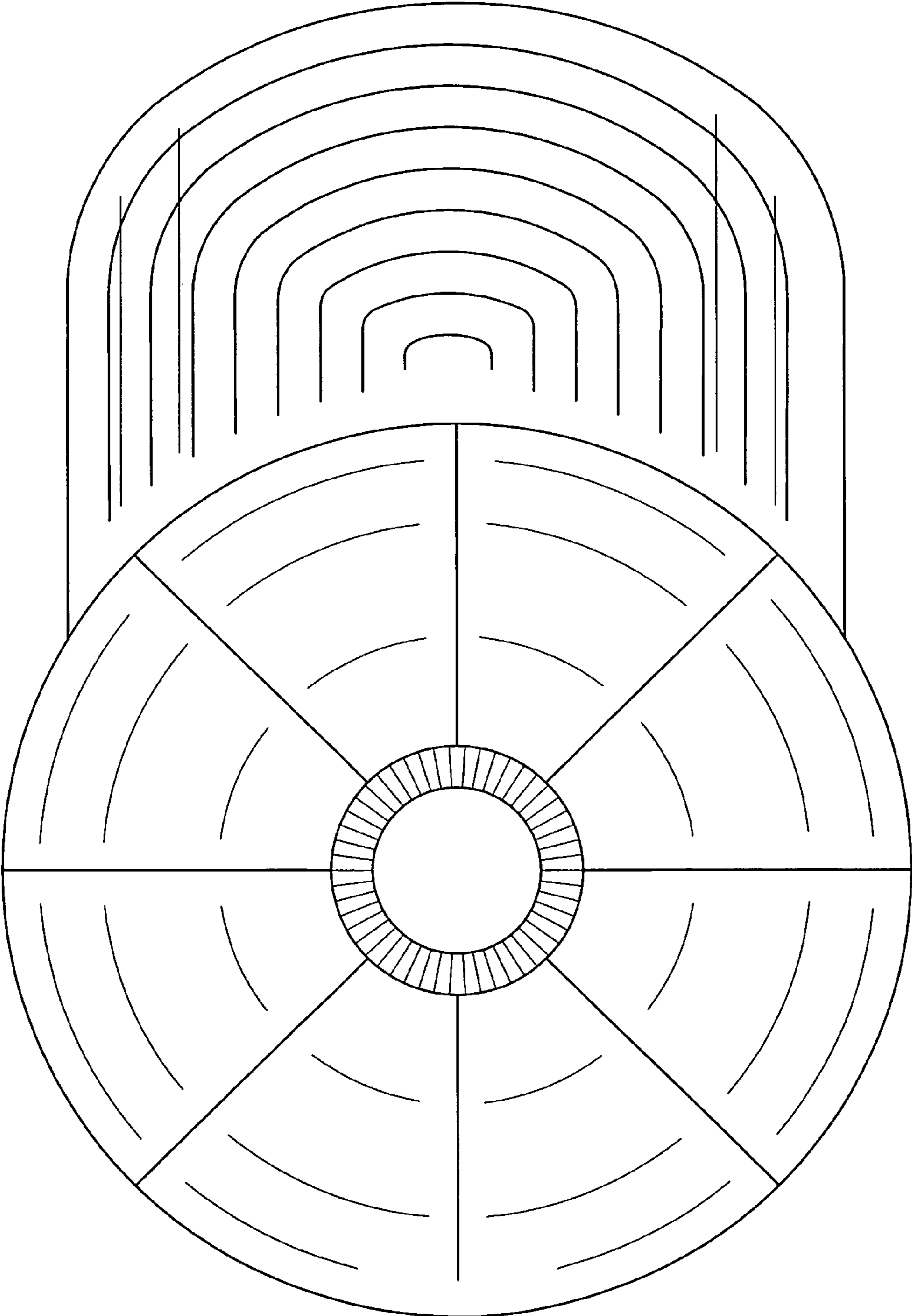


FIG. 5

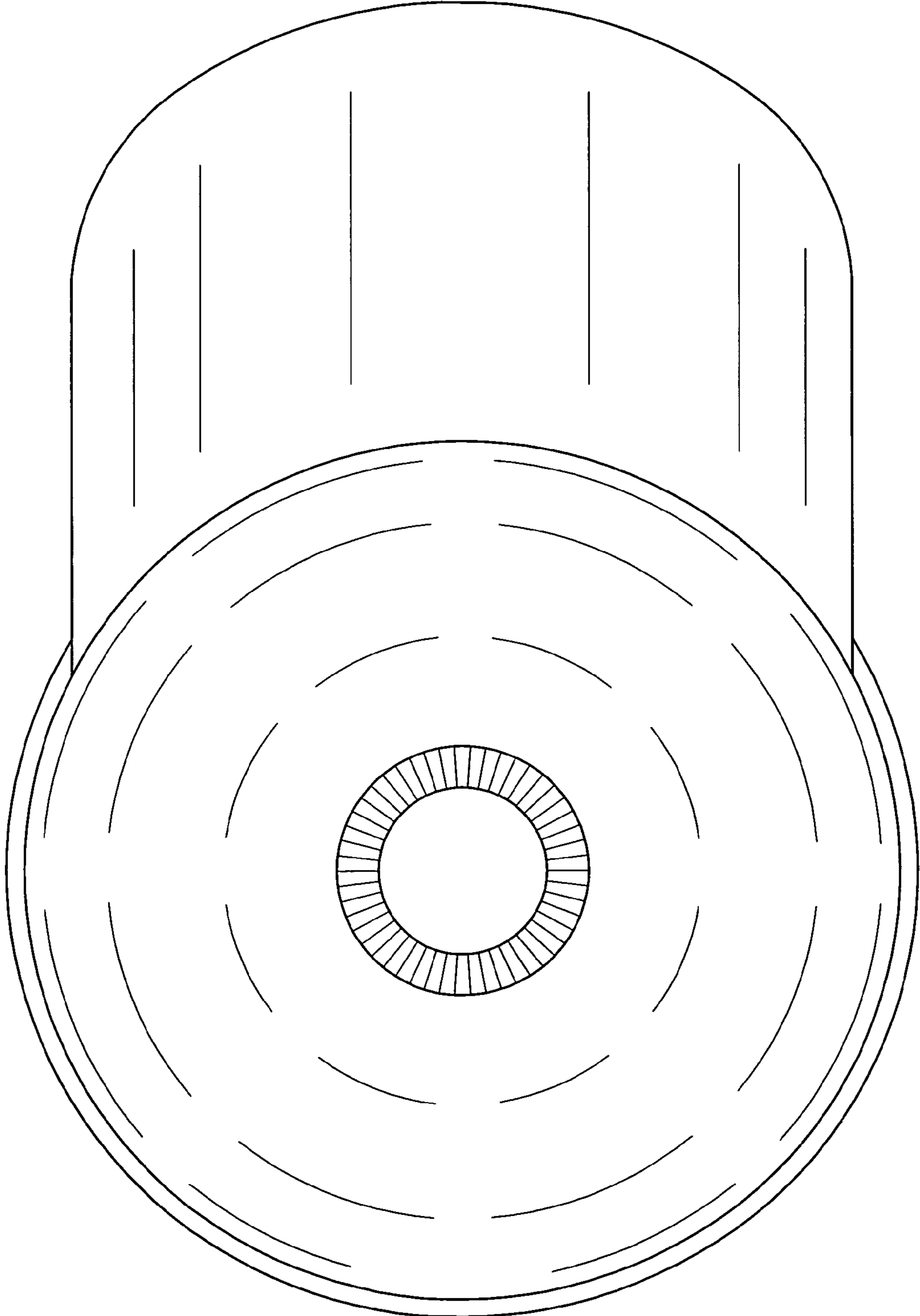


FIG. 6

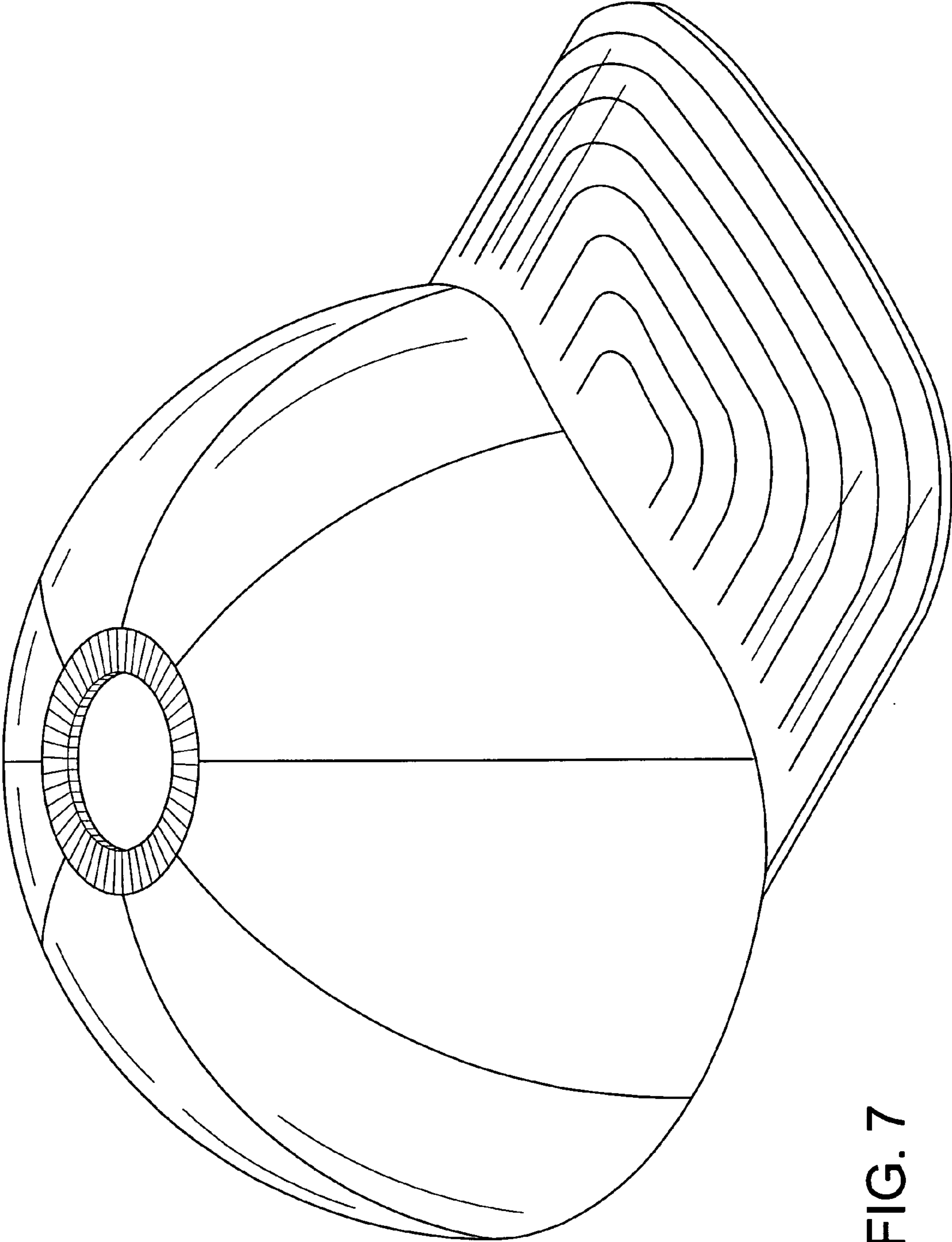


FIG. 7



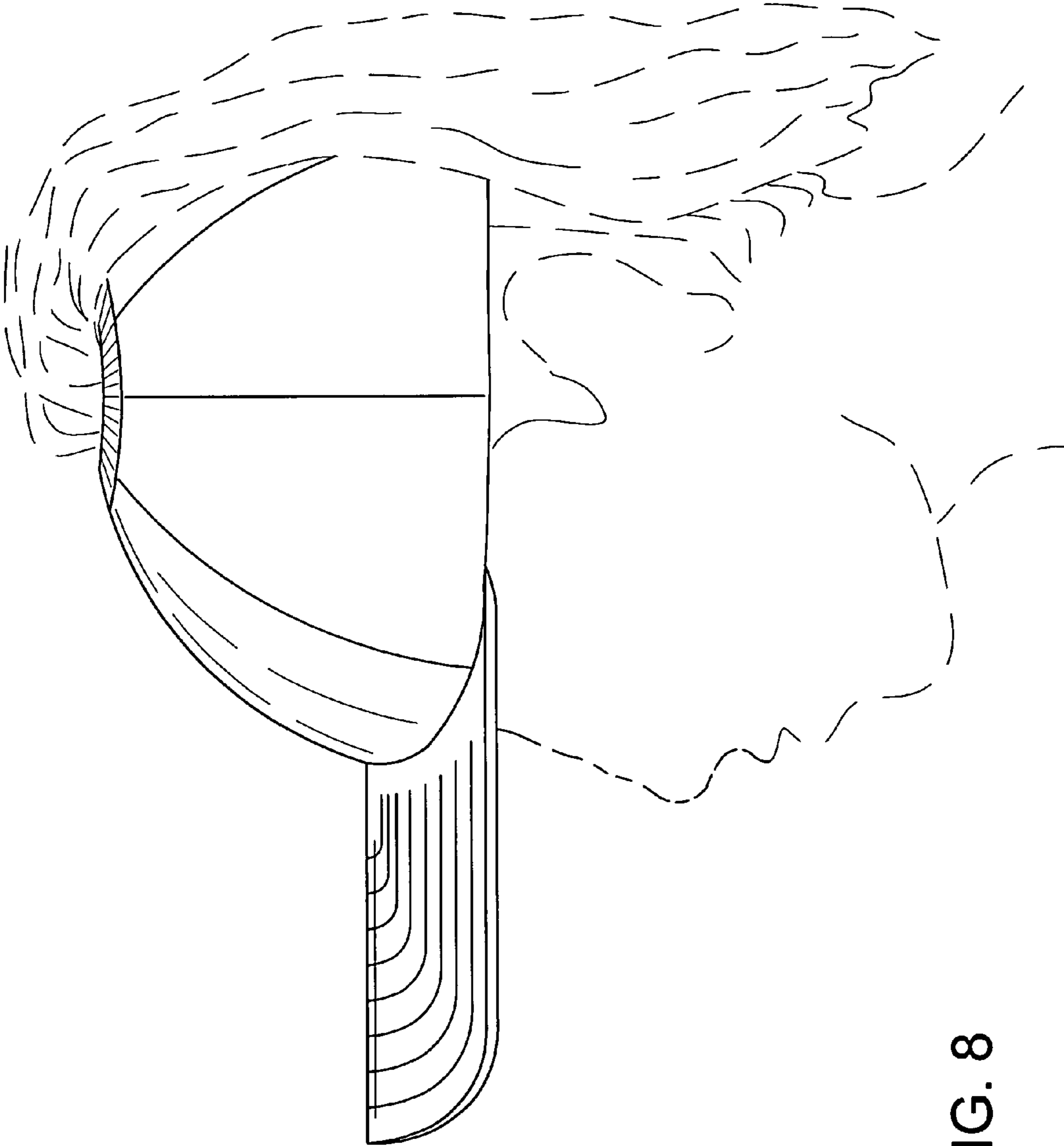


FIG. 8