

US00D590125S

(12) **United States Design Patent**
Waters et al.

(10) **Patent No.:** **US D590,125 S**
(45) **Date of Patent:** **** Apr. 7, 2009**

(54) **LOCKING MAILBOX**

(76) Inventors: **Jeffrey M. Waters**, 1255 N. Maple Ave.,
Bartow, FL (US) 33830; **James L.**
Collinsworth, 1255 N. Maple Ave.,
Bartow, FL (US) 33830

(**) Term: **14 Years**

(21) Appl. No.: **29/292,826**

(22) Filed: **Oct. 30, 2007**

(51) **LOC (9) Cl.** **25-03**

(52) **U.S. Cl.** **D99/32**

(58) **Field of Classification Search** D99/28-33,
D99/997; 232/17, 21, 28, 33-35, 38-42,
232/43.1-43.3, 45, 47; 70/150, 160; D8/305-307,
D8/313-320; D3/270, 272, 294; D6/510;
220/501, 830, 930

See application file for complete search history.

(56) **References Cited**

U.S. PATENT DOCUMENTS

1,480,452	A *	1/1924	Kolstad	232/17
D118,054	S *	12/1939	Prahl, Jr. et al.	D15/199
3,874,583	A *	4/1975	Moll	232/17
D281,114	S *	10/1985	Cooke	D99/28
5,351,883	A *	10/1994	Pachl	232/17
D354,610	S *	1/1995	Hassan	D99/29
D398,134	S *	9/1998	Taylor	D99/29
6,234,388	B1 *	5/2001	Taylor	232/47
D468,887	S *	1/2003	Shreve	D99/29
6,533,167	B2 *	3/2003	Hassan	232/45

D512,804	S *	12/2005	Wilson et al.	D99/29
D546,525	S *	7/2007	Akinto	D99/29
2005/0006451	A1 *	1/2005	Taylor	232/45

OTHER PUBLICATIONS

The Curb Vault, www.steelmailbox.com/html/curbvault.html, 10 pages, printed from the Internet on Jun. 28, 2007.

* cited by examiner

Primary Examiner—Joel Sincavage

Assistant Examiner—Susan E Krakower

(74) *Attorney, Agent, or Firm*—Richard C. Litman

(57) **CLAIM**

The ornamental design for a locking mailbox, as shown and described.

DESCRIPTION

FIG. 1 is a perspective view of a locking mailbox showing our new design;

FIG. 2 is a front elevational view thereof;

FIG. 3 is a rear elevational view thereof;

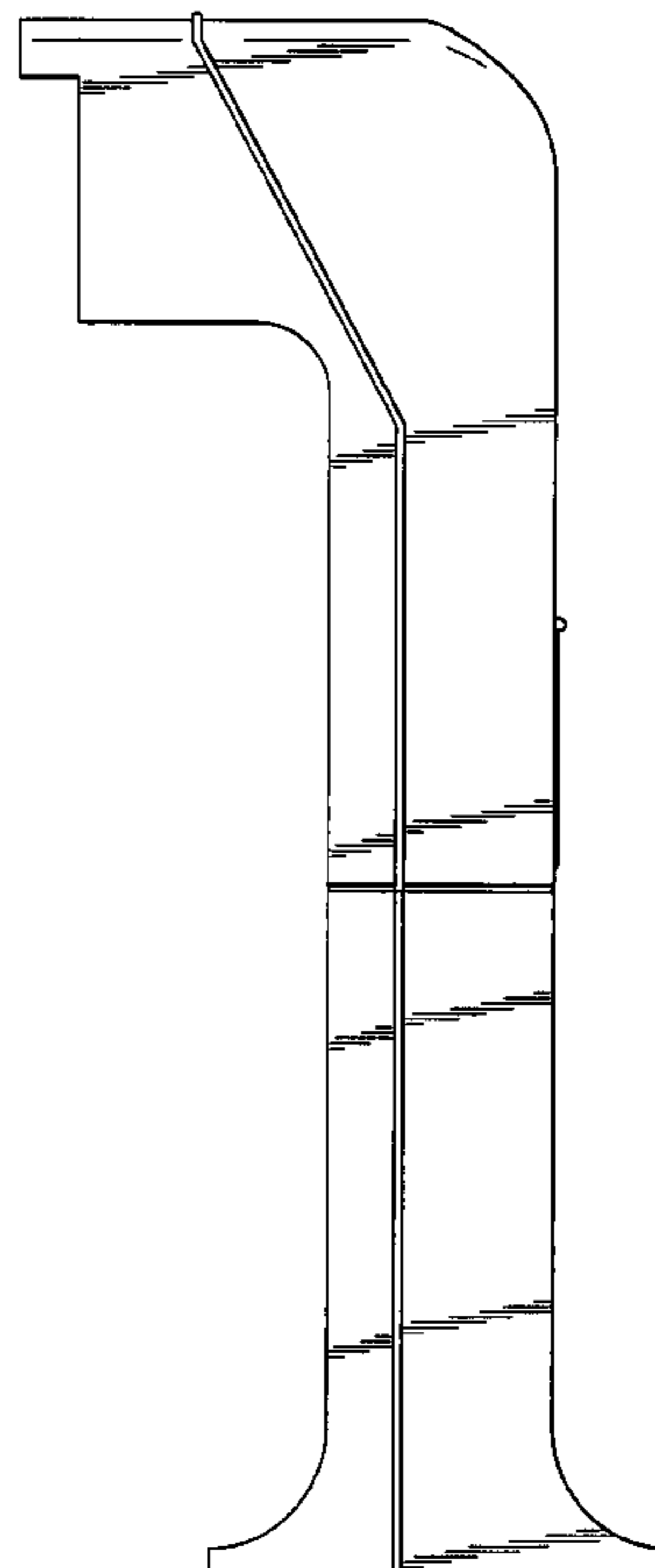
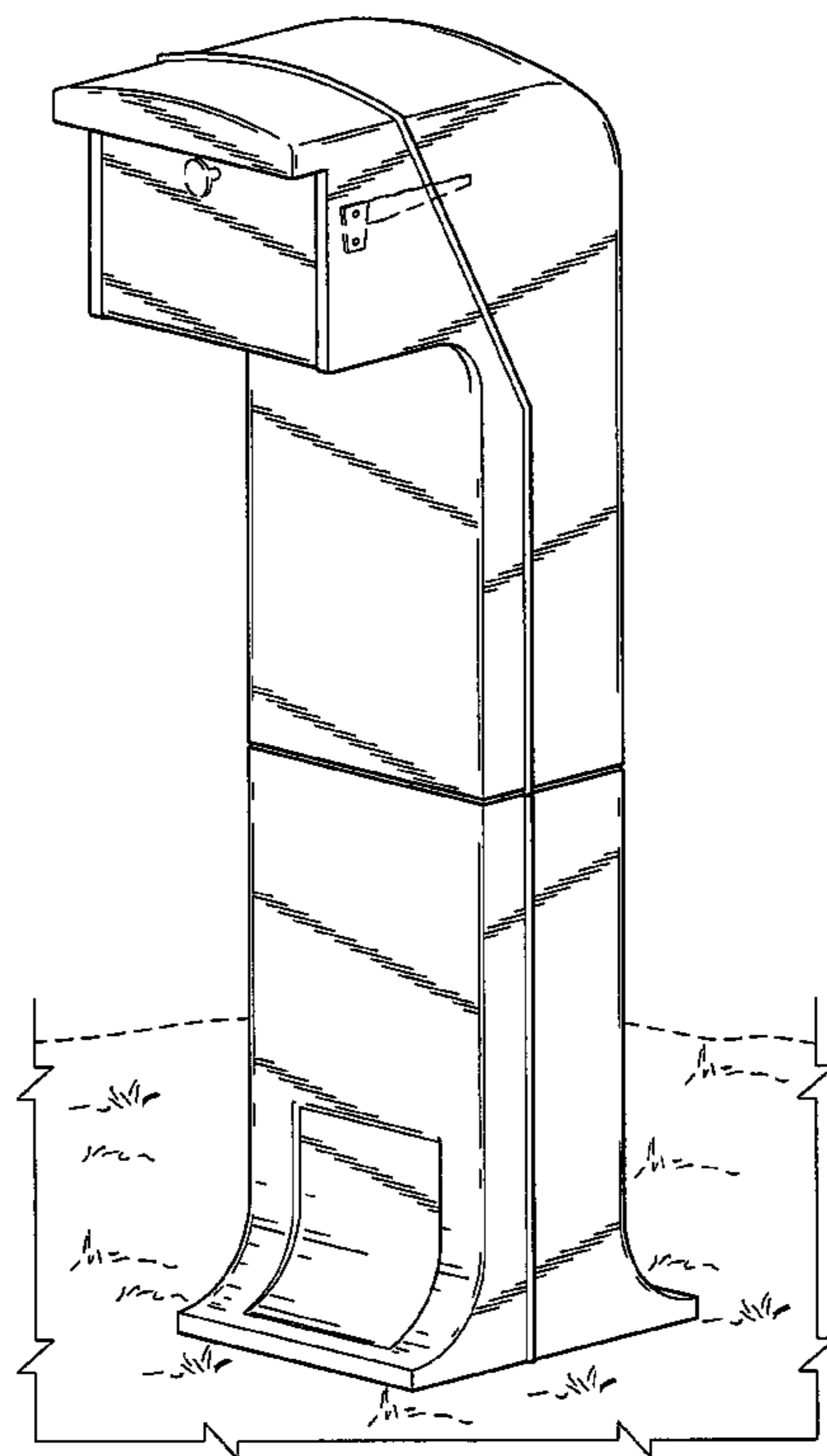
FIG. 4 is a right side elevational view with the left side being a mirror image thereof;

FIG. 5 is top view thereof; and,

FIG. 6 is a bottom view thereof.

The broken lines represent environmental structure and form no part of the claimed design.

1 Claim, 5 Drawing Sheets



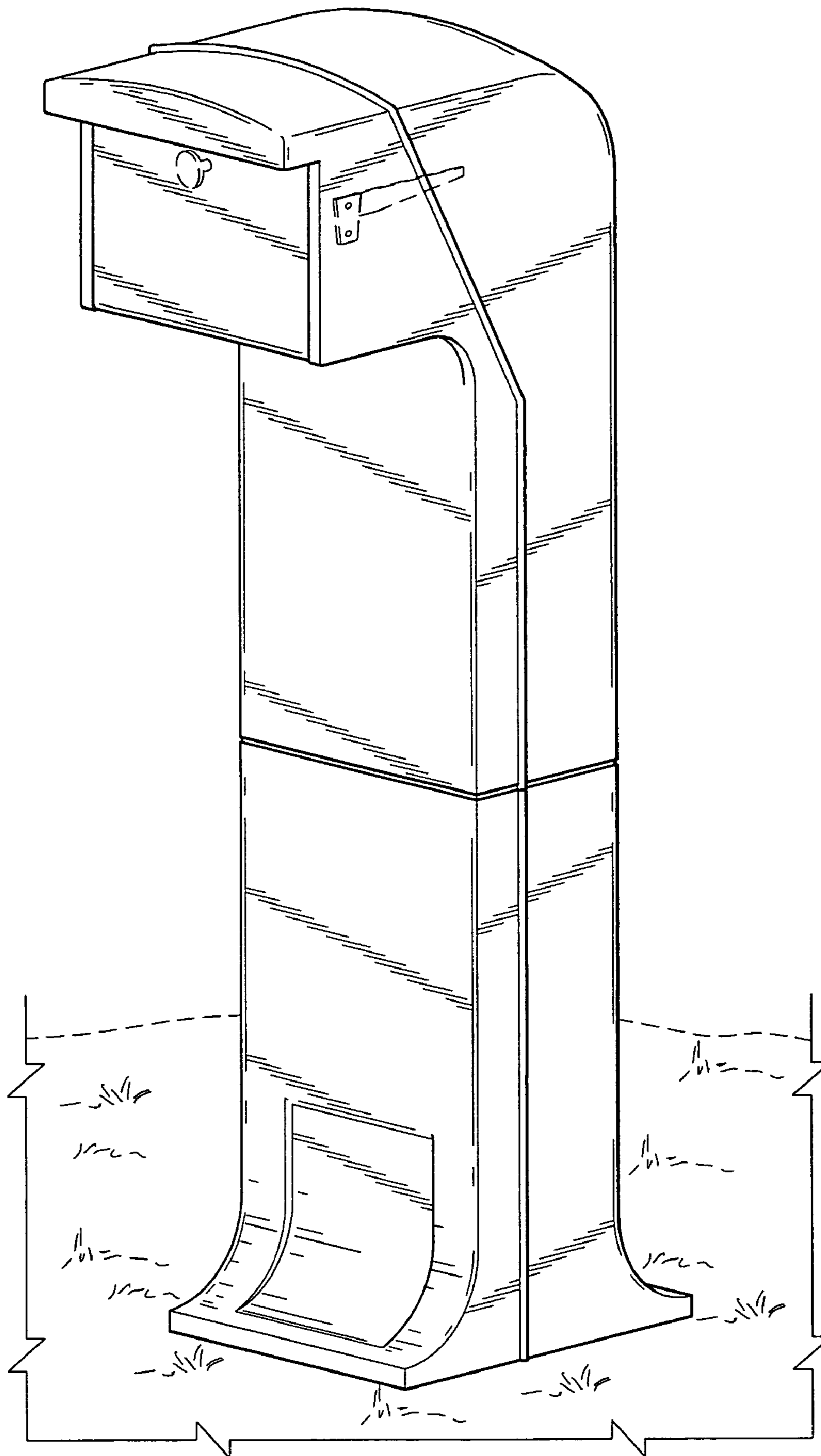


FIG. 1

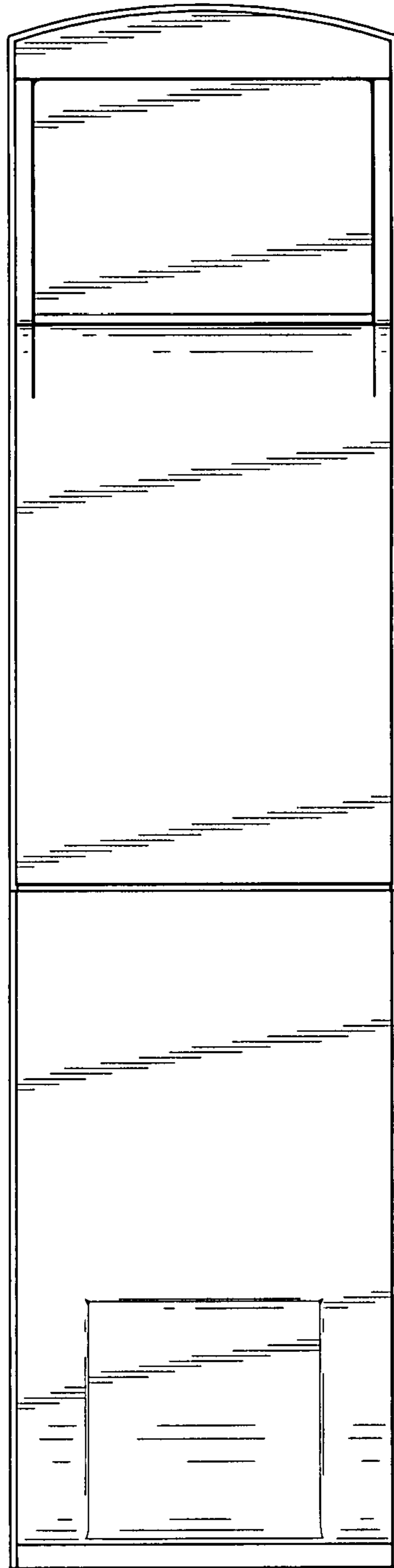


FIG. 2

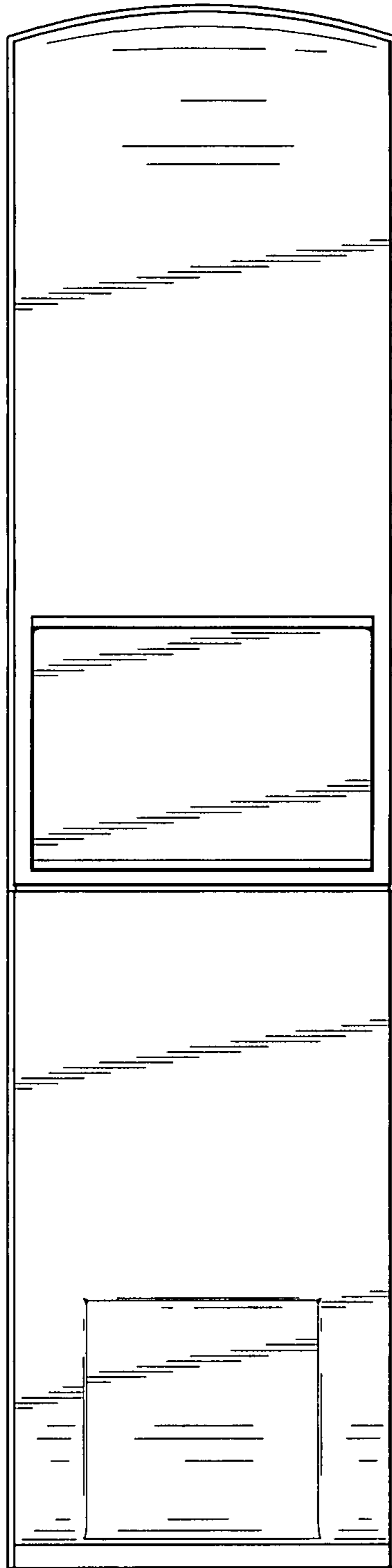


FIG. 3

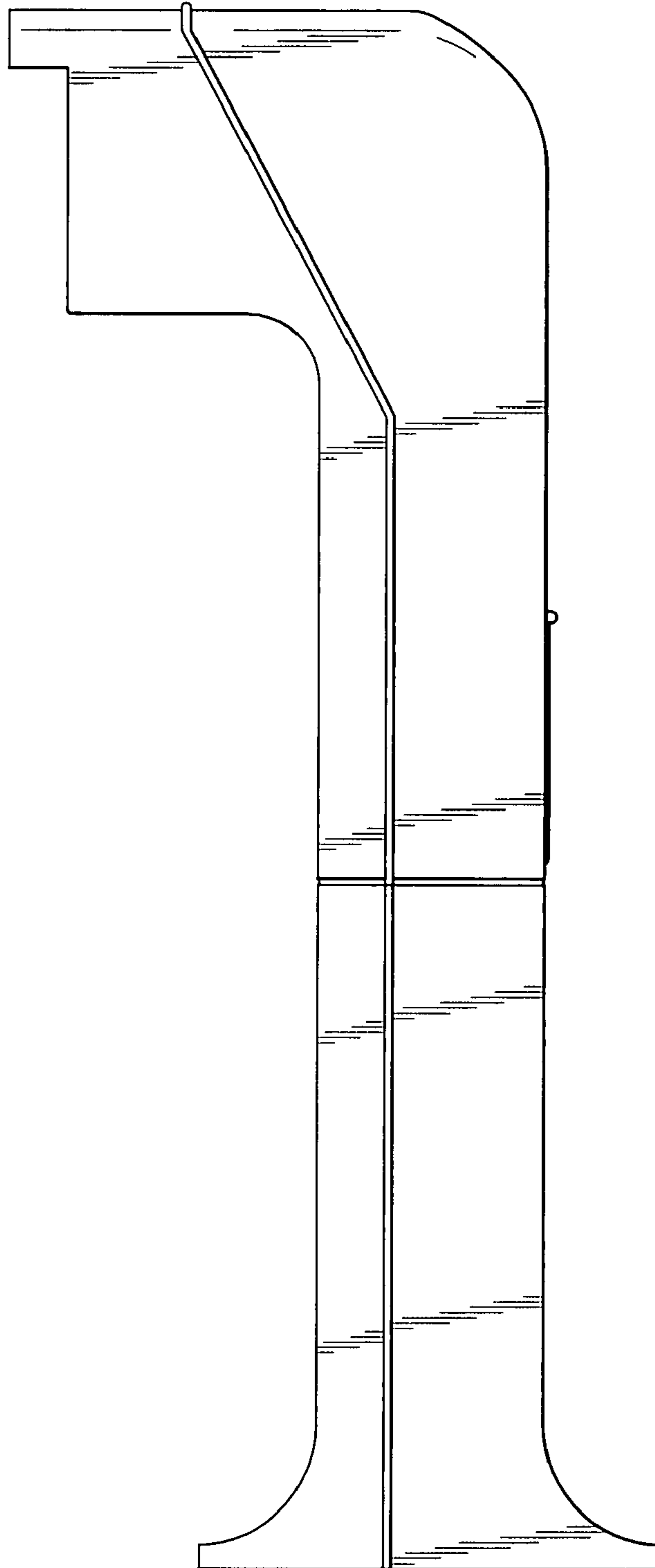


FIG. 4

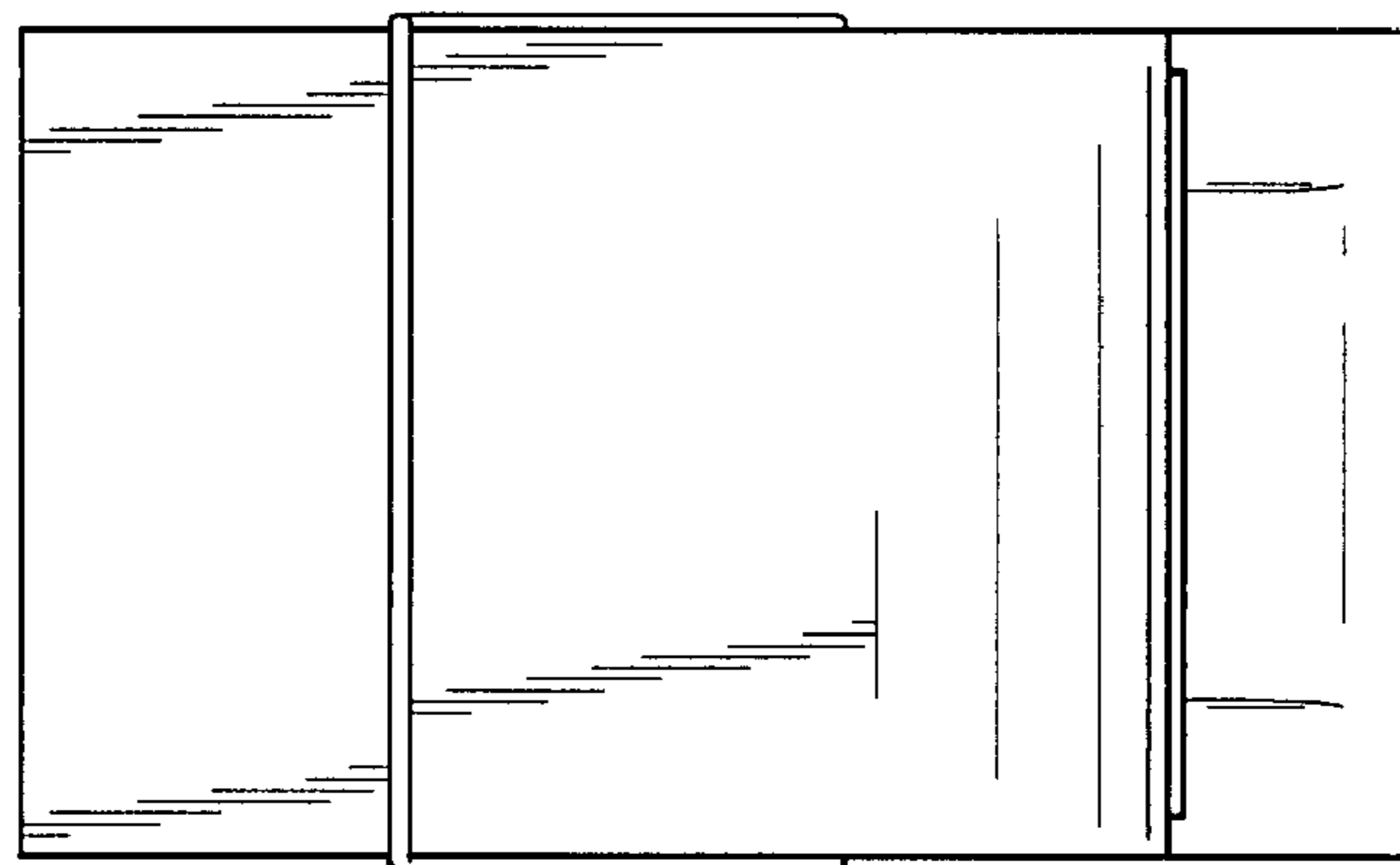


FIG. 5

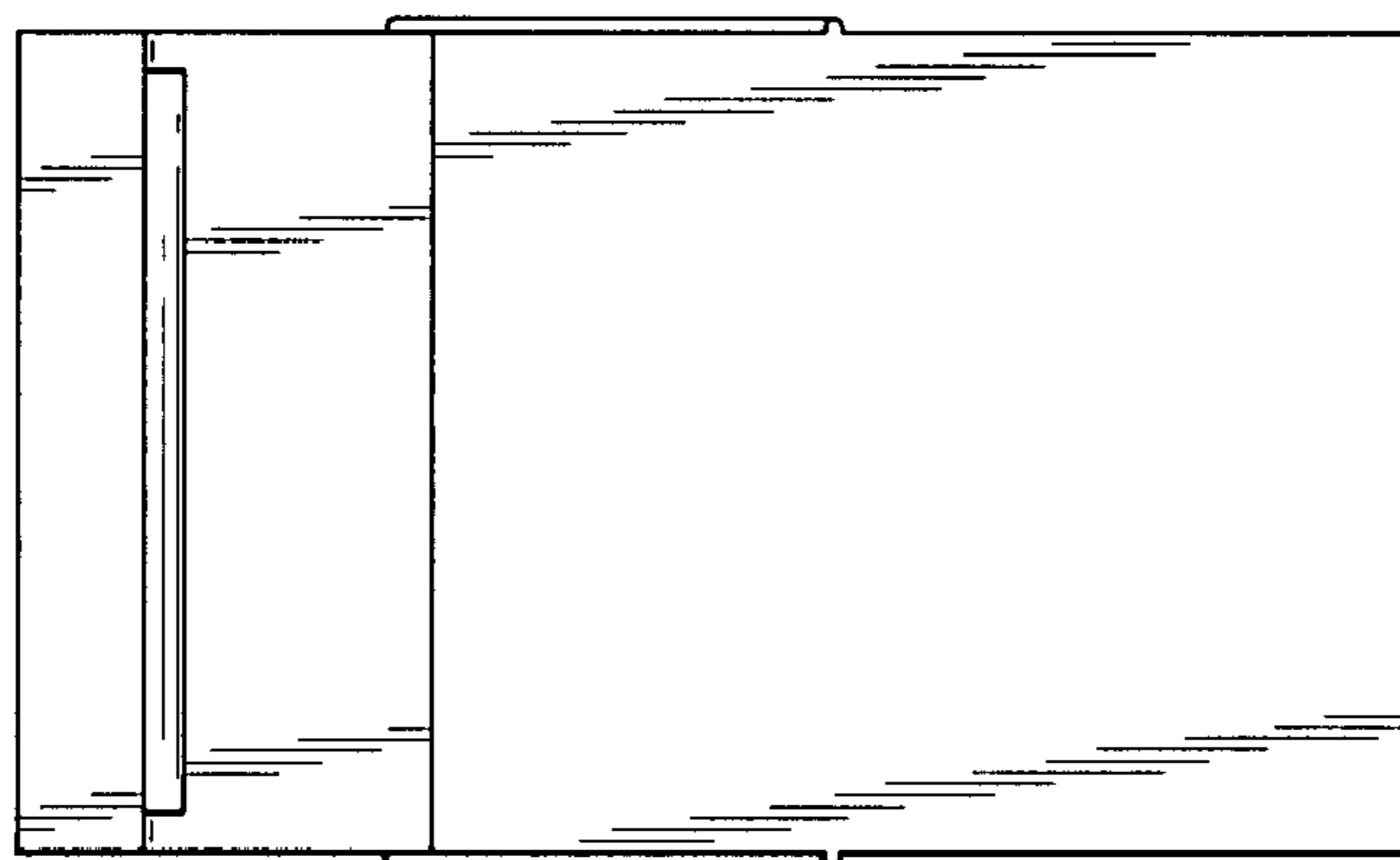


FIG. 6