



US00D590122S

(12) **United States Design Patent**
Shaw et al.

(10) **Patent No.:** **US D590,122 S**
(45) **Date of Patent:** **** Apr. 7, 2009**

(54) **DISPLAY MODULE**

(75) Inventors: **Derek R. Shaw**, Hopkins, MN (US);
John C. Holman, Ham Lake, MN (US)

(73) Assignee: **Graco Minnesota Inc.**, Minneapolis,
MN (US)

(**) Term: **14 Years**

(21) Appl. No.: **29/281,078**

(22) Filed: **Jun. 14, 2007**

(51) **LOC (9) Cl.** **12-05**

(52) **U.S. Cl.** **D34/35**

(58) **Field of Classification Search** D34/34,
D34/35; D12/192, 400, 415; D15/28; 180/19.1,
180/19.3, 90; 296/70; 280/43.12, 752
See application file for complete search history.

(56) **References Cited**

U.S. PATENT DOCUMENTS

D382,569 S * 8/1997 Esposito D15/28
D434,425 S * 11/2000 Rossow et al. D15/28
D512,670 S * 12/2005 Pfeiffer et al. D12/192
D542,504 S * 5/2007 Yanagida et al. D34/35

OTHER PUBLICATIONS

“Promix II Easy-To-Use And Affordable Automatic Color Change Proportioning System,” Brochure Literature, Graco Inc., P.O. Box 1441 Minneapolis, Minnesota 55440, copyright Nov. 2004.

“Plural Component Solutions Proportioning Systems for Finishing Applications,” Brochure Literature, Graco Inc., P.O. Box 1441 Minneapolis, Minnesota 55440, copyright Sep. 2005.

“Xtreme Airless Sprayers The Latest in High-Performance, High-Pressure Technology,” Brochure Literature, Graco Inc., P.O. Box 1441 Minneapolis, Minnesota 55440, copyright Feb. 2007.

* cited by examiner

Primary Examiner—Cynthia E Ramirez

(74) *Attorney, Agent, or Firm*—Douglas B. Farrow

(57) **CLAIM**

The ornamental design for a display module, as shown and described.

DESCRIPTION

FIG. 1 is a front perspective view of the display module;

FIG. 2 is a front elevation view thereof;

FIG. 3 is a bottom elevation view thereof;

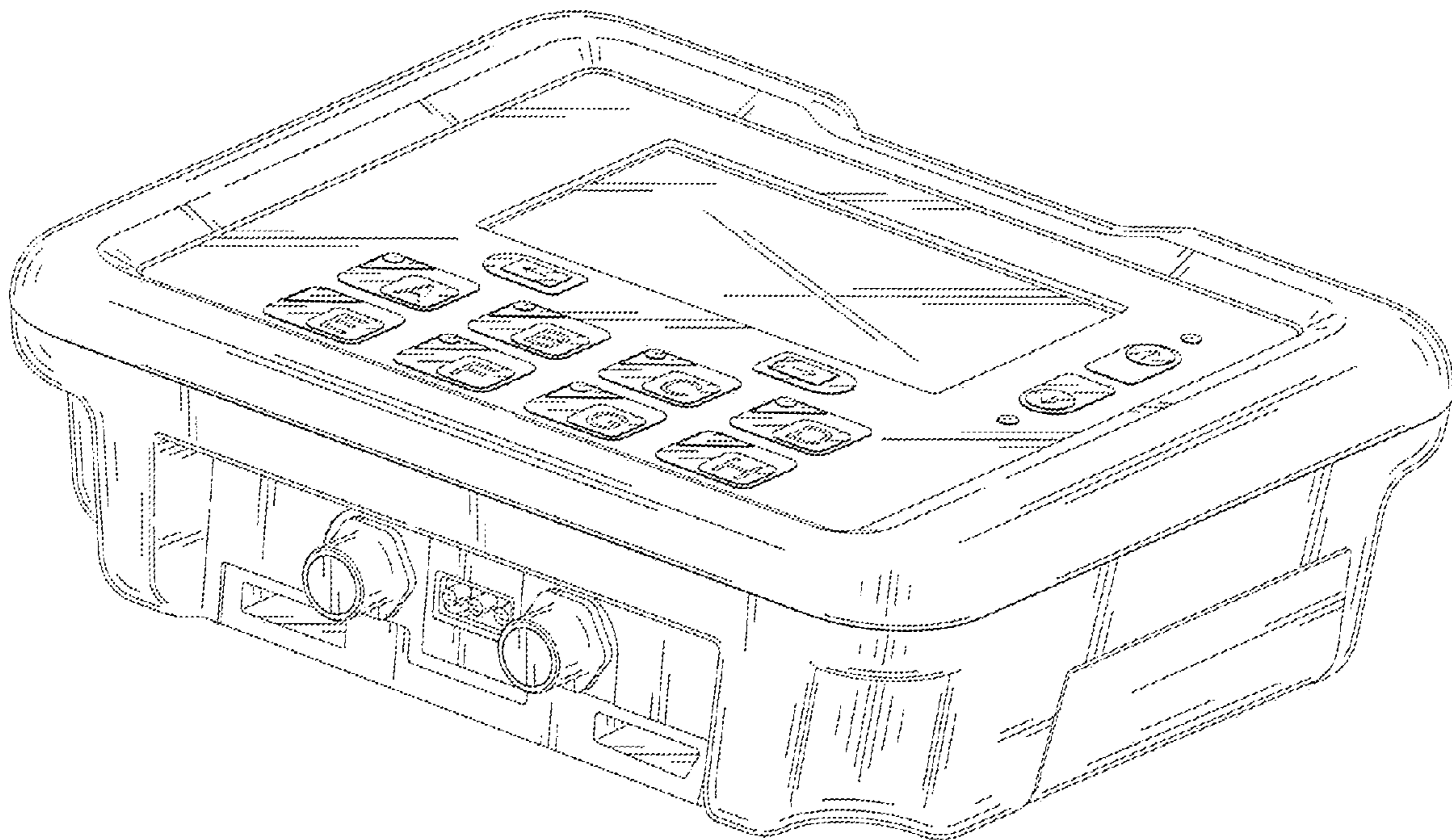
FIG. 4 is a right side elevation view thereof;

FIG. 5 is a left side elevation view thereof;

FIG. 6 is a top elevation view thereof; and,

FIG. 7 is a rear elevation view thereof.

1 Claim, 5 Drawing Sheets



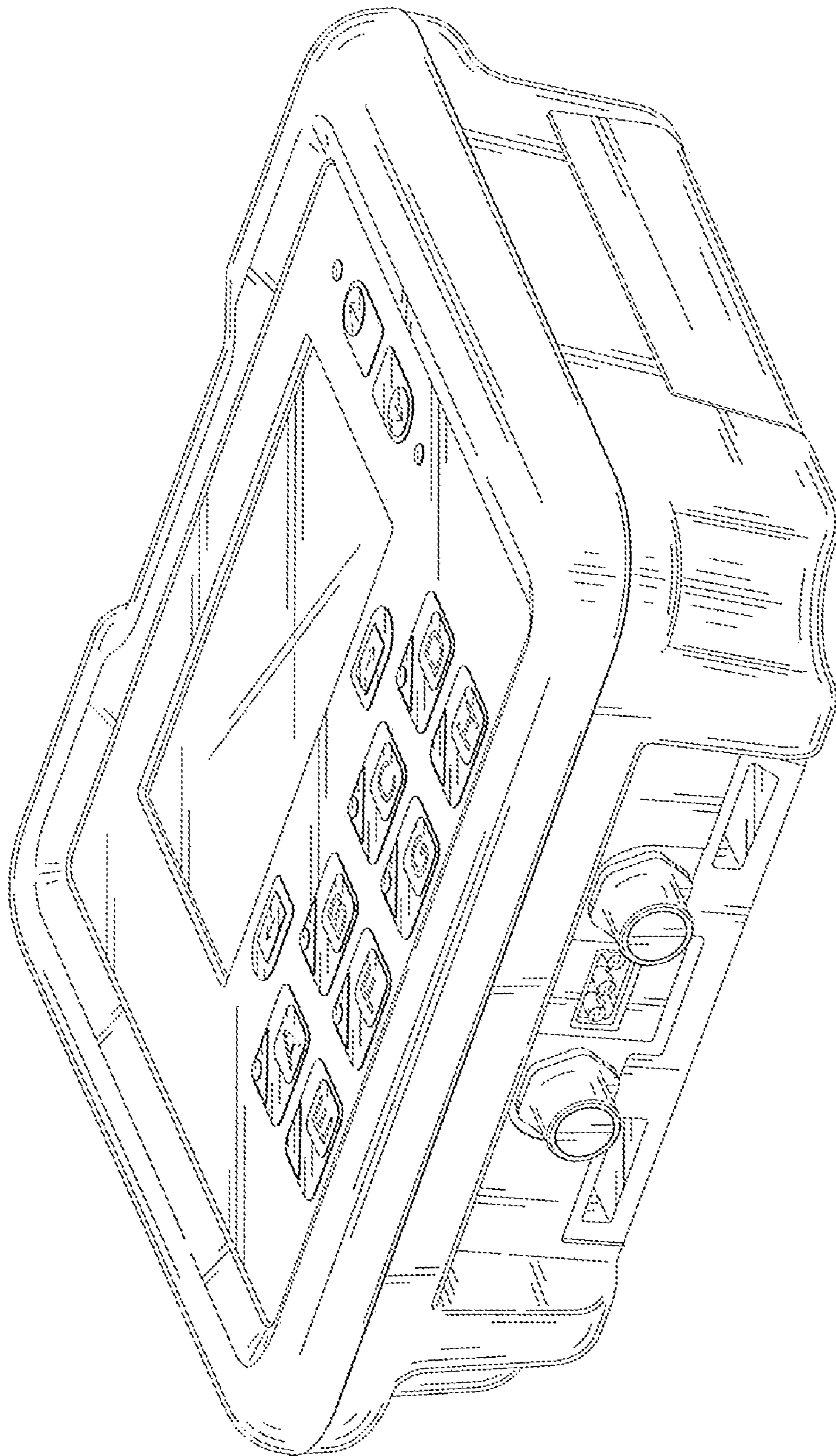


FIG. 1

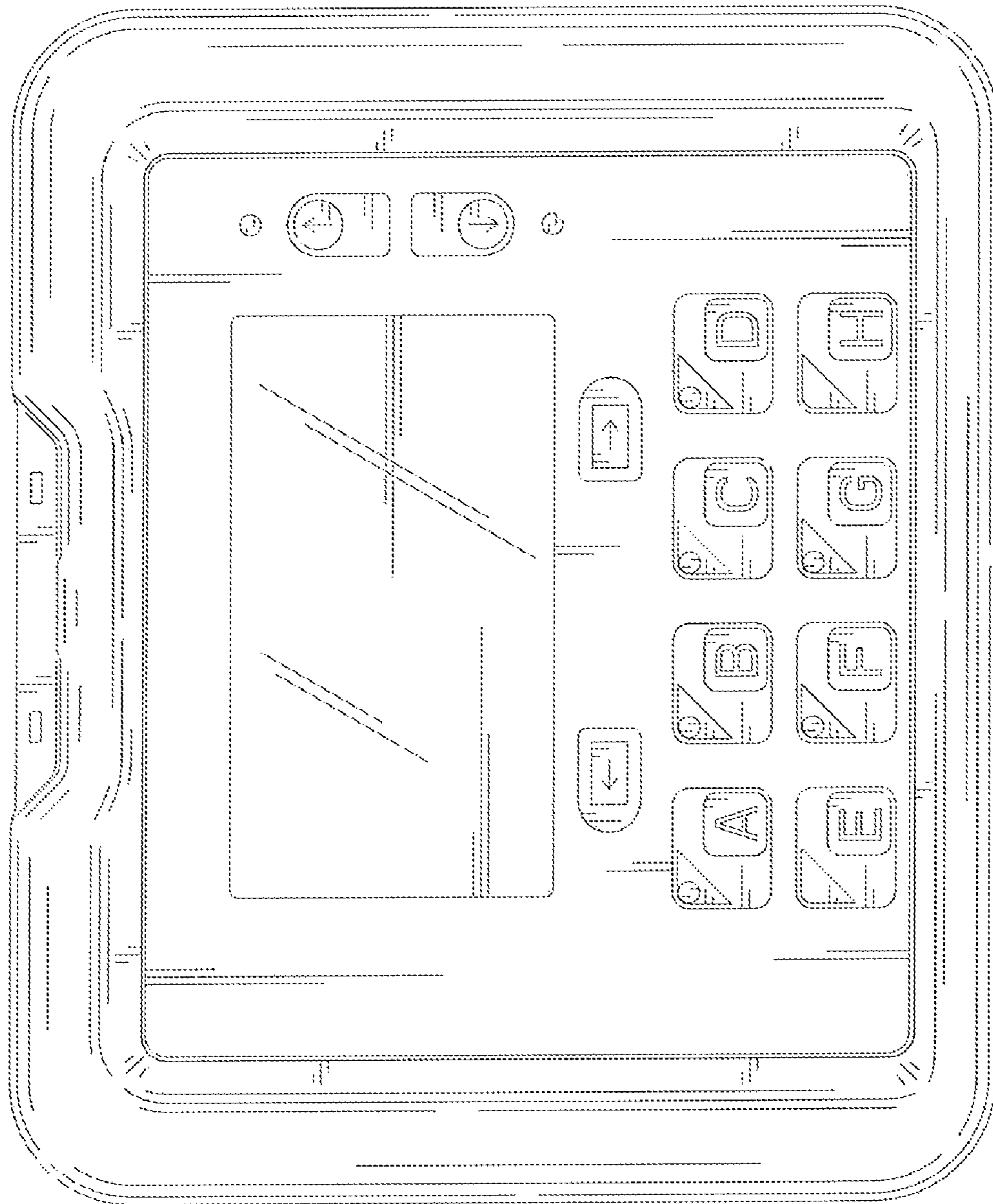


FIG. 2

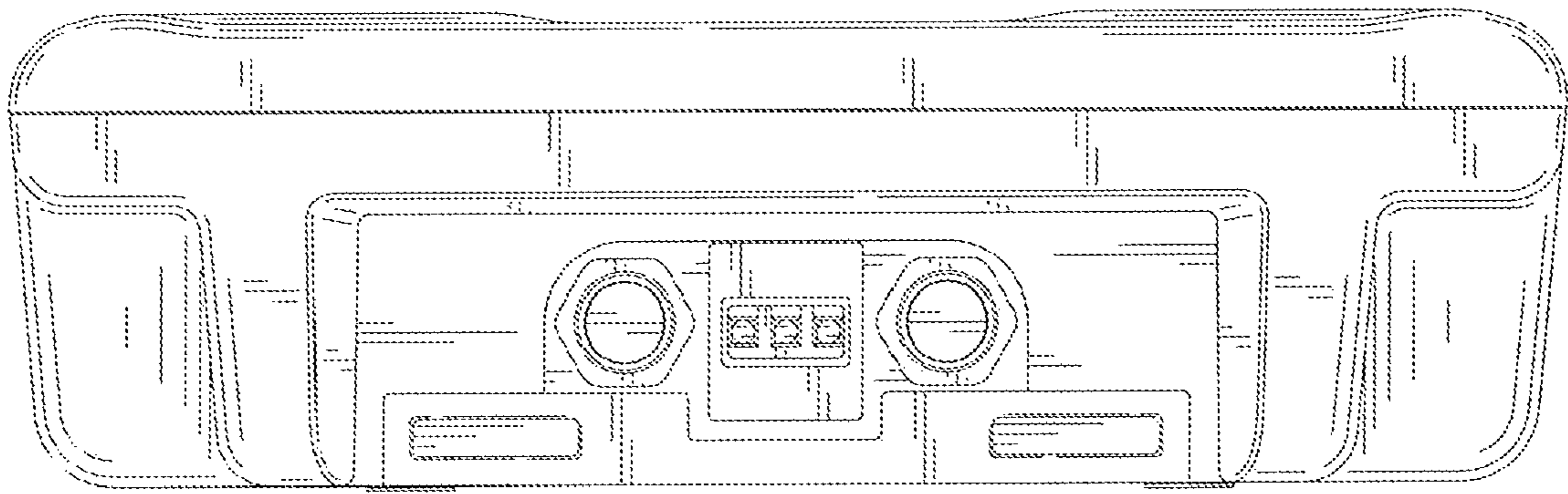


FIG. 3

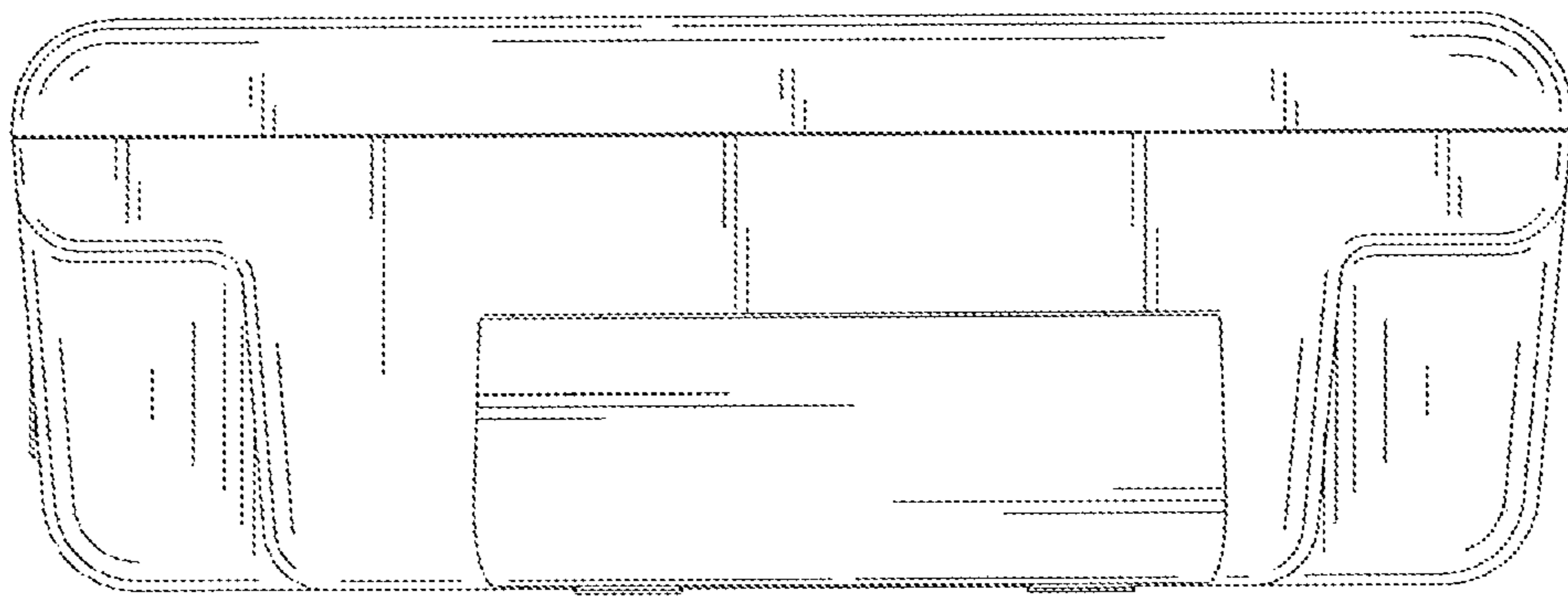


FIG. 4

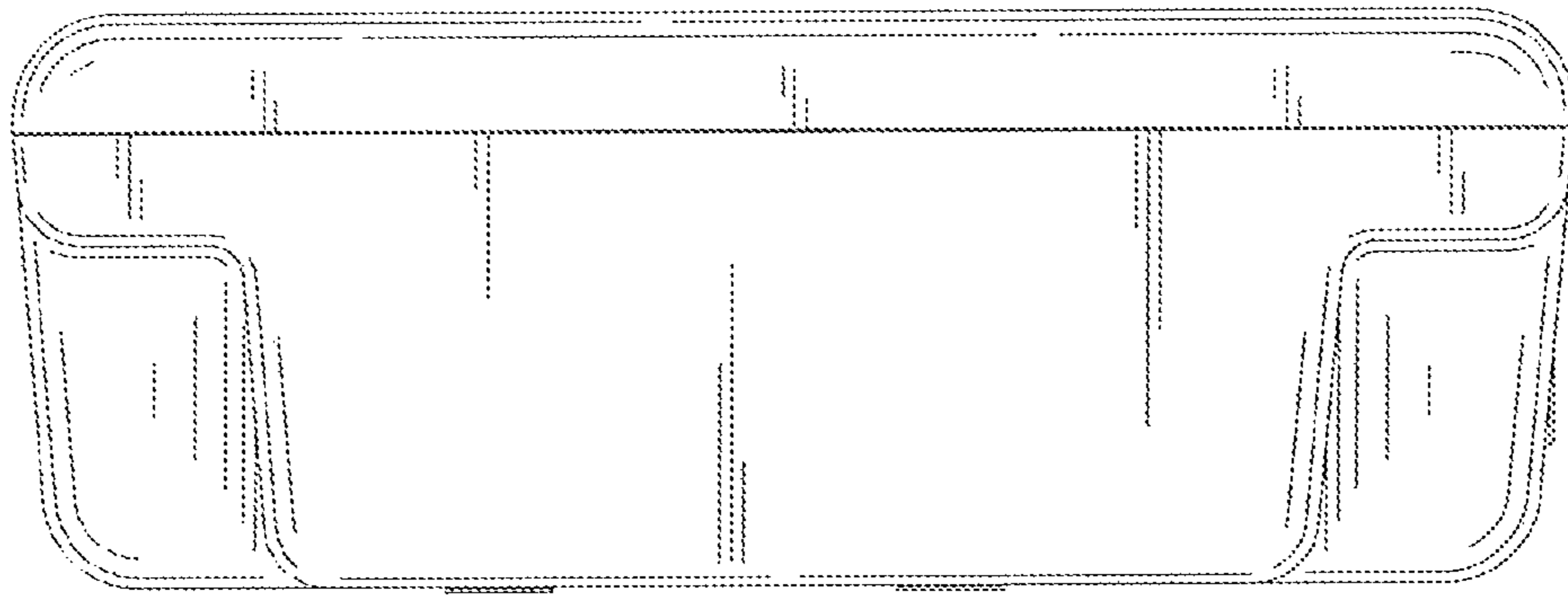


FIG. 5

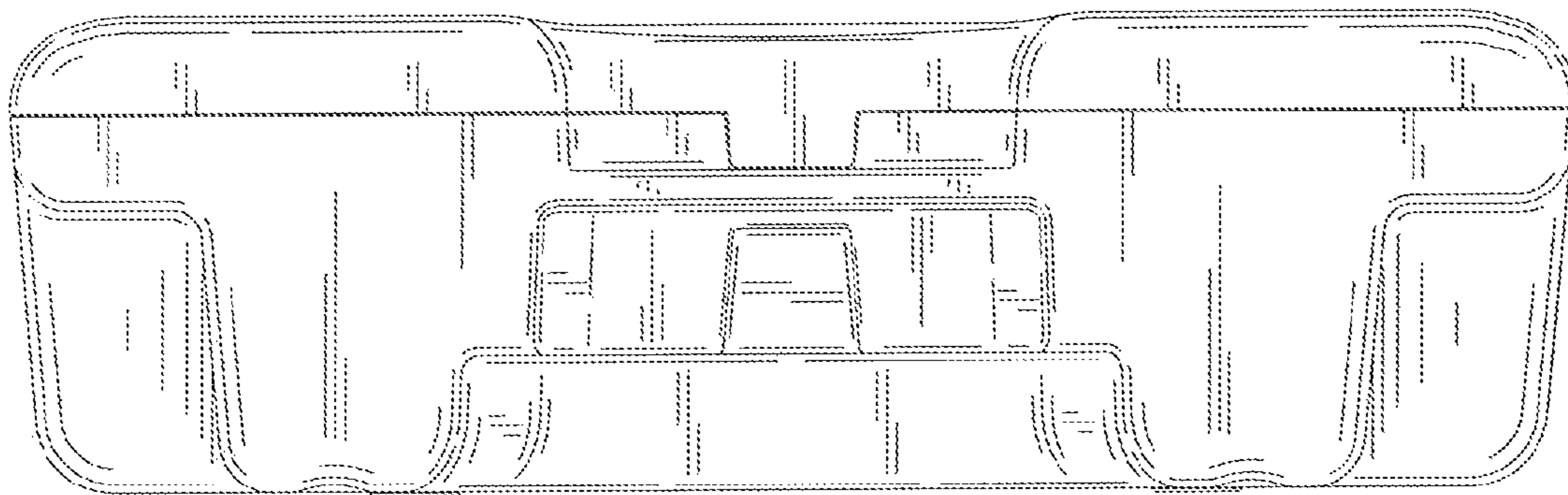


FIG. 6

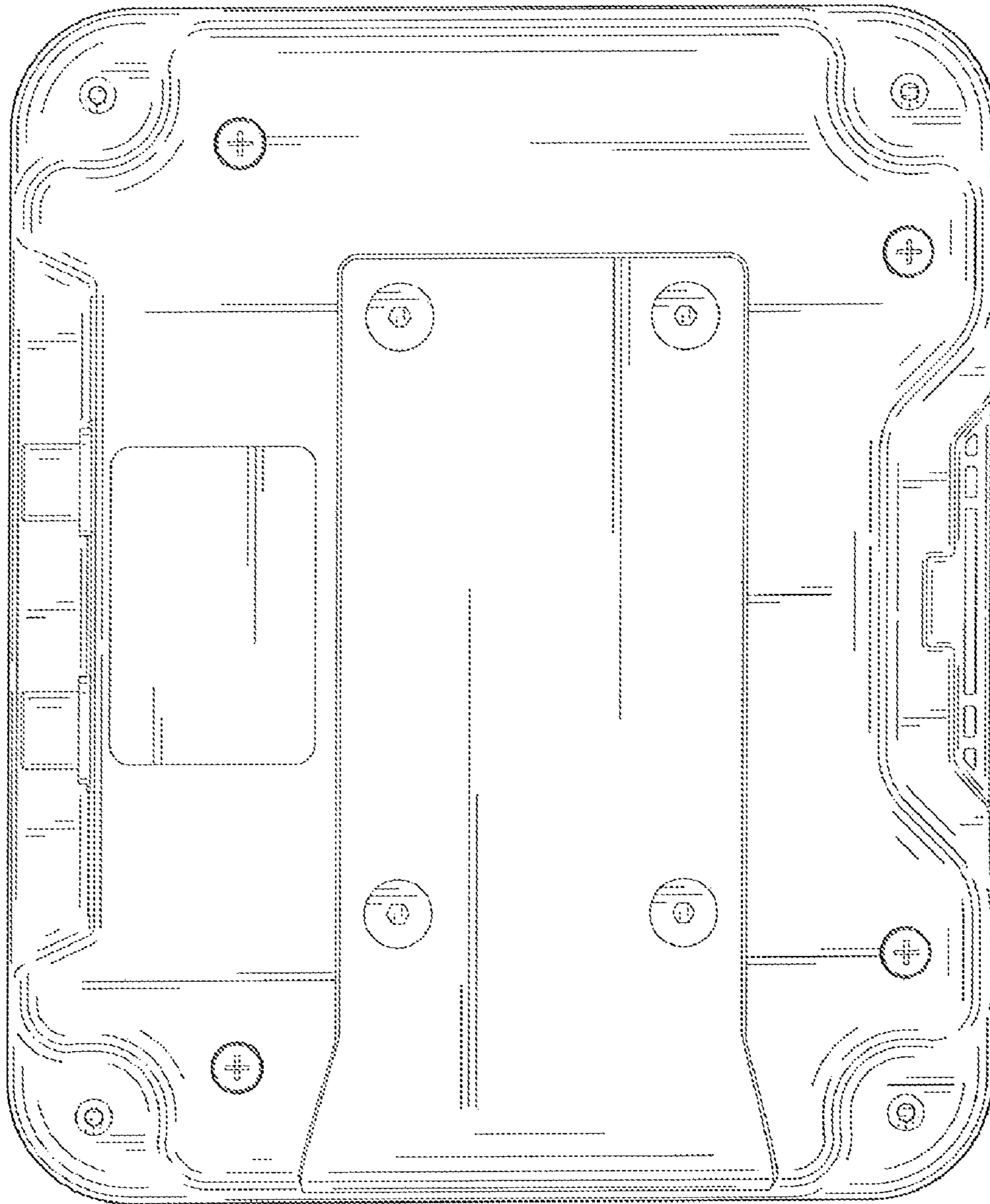


FIG. 7