

US00D590120S

(12) **United States Design Patent**
Thompson

(10) **Patent No.:** **US D590,120 S**

(45) **Date of Patent:** **** Apr. 7, 2009**

(54) **STAIR-CLIMBING HAND CART**

(76) Inventor: **Jackie L Thompson**, 8231 W. Quarto Dr., Littleton, CO (US) 80128

(**) Term: **14 Years**

(21) Appl. No.: **29/296,387**

(22) Filed: **Oct. 18, 2007**

(51) **LOC (9) Cl.** **12-02**

(52) **U.S. Cl.** **D34/26**

(58) **Field of Classification Search** D34/12-27;
280/5.22, 47.2, 47.21, 47.27, 654; 180/9.22,
180/9.3

See application file for complete search history.

(56) **References Cited**

U.S. PATENT DOCUMENTS

2,400,824	A *	5/1946	Jackson	180/8.2
2,980,200	A *	4/1961	Kibby	182/16
D198,676	S *	7/1964	Tarran	D34/14
3,450,219	A *	6/1969	Fleming	180/8.2
3,698,501	A *	10/1972	Gross	180/8.2
D249,032	S *	8/1978	Tarran	D34/14
4,142,732	A	3/1979	Boyd		
4,264,082	A	4/1981	Fouchey, Jr.		
4,312,417	A *	1/1982	Dalton et al.	180/8.2
4,457,526	A	7/1984	Persson		
5,013,103	A *	5/1991	Addison	312/249.12

D336,710	S *	6/1993	Kinnaman	D34/26
D356,197	S *	3/1995	Loughlin	D34/12
D404,876	S *	1/1999	Rubinos et al.	D34/24
D412,044	S *	7/1999	Deal	D34/12
6,116,623	A *	9/2000	Salvucci	280/47.26
D466,266	S *	11/2002	Wu	D34/24
2007/0075509	A1 *	4/2007	Wyrick, III	280/47.27

FOREIGN PATENT DOCUMENTS

JP 405170104 A * 7/1996

* cited by examiner

Primary Examiner—Cynthia E Ramirez

(57) **CLAIM**

The ornamental design for a stair-climbing hand cart, as shown and described.

DESCRIPTION

FIG. 1 is a front elevation view of a stair-climbing hand cart showing my new design;

FIG. 2 is a rear elevation view;

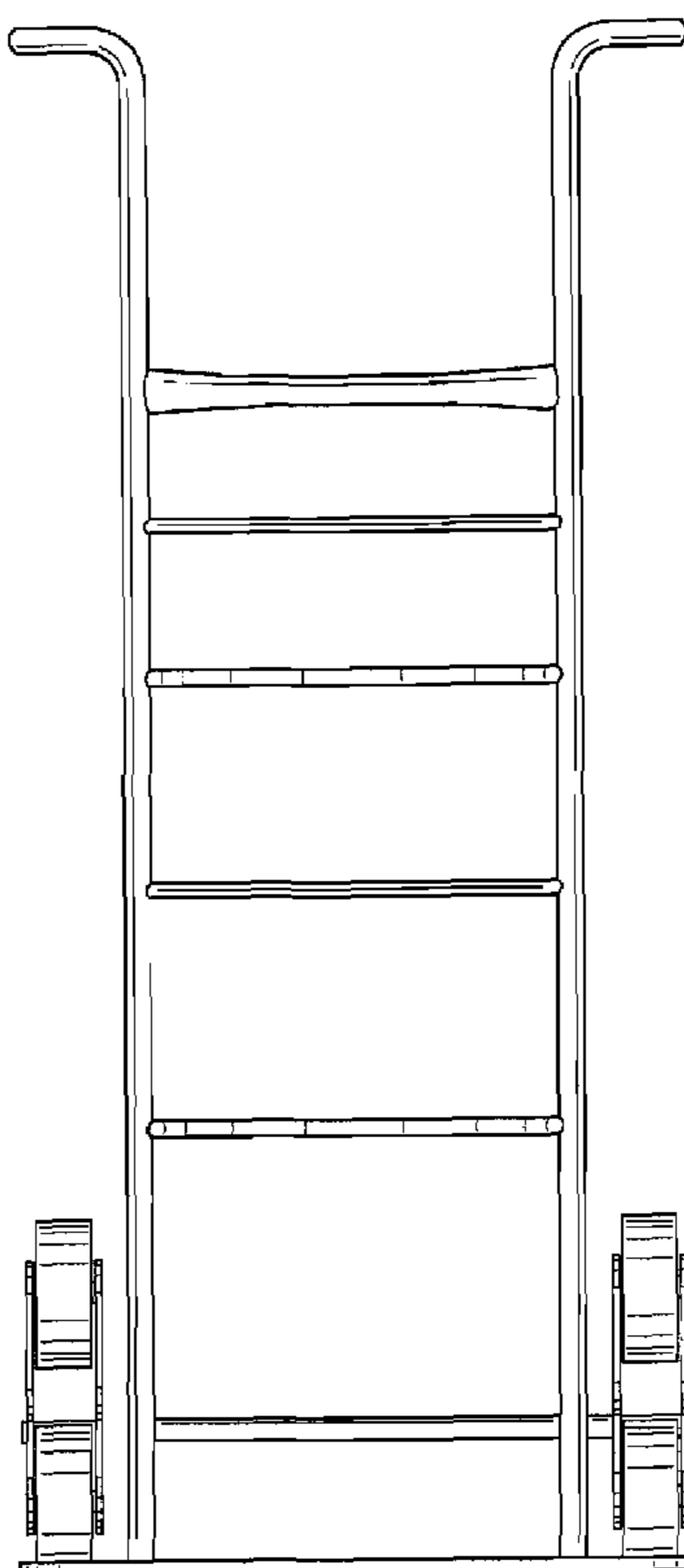
FIG. 3 is a right elevation;

FIG. 4 is a top plan view;

FIG. 5 is a bottom plan view; and,

FIG. 6 is an isometric view of a stair-climbing hand cart.

1 Claim, 3 Drawing Sheets



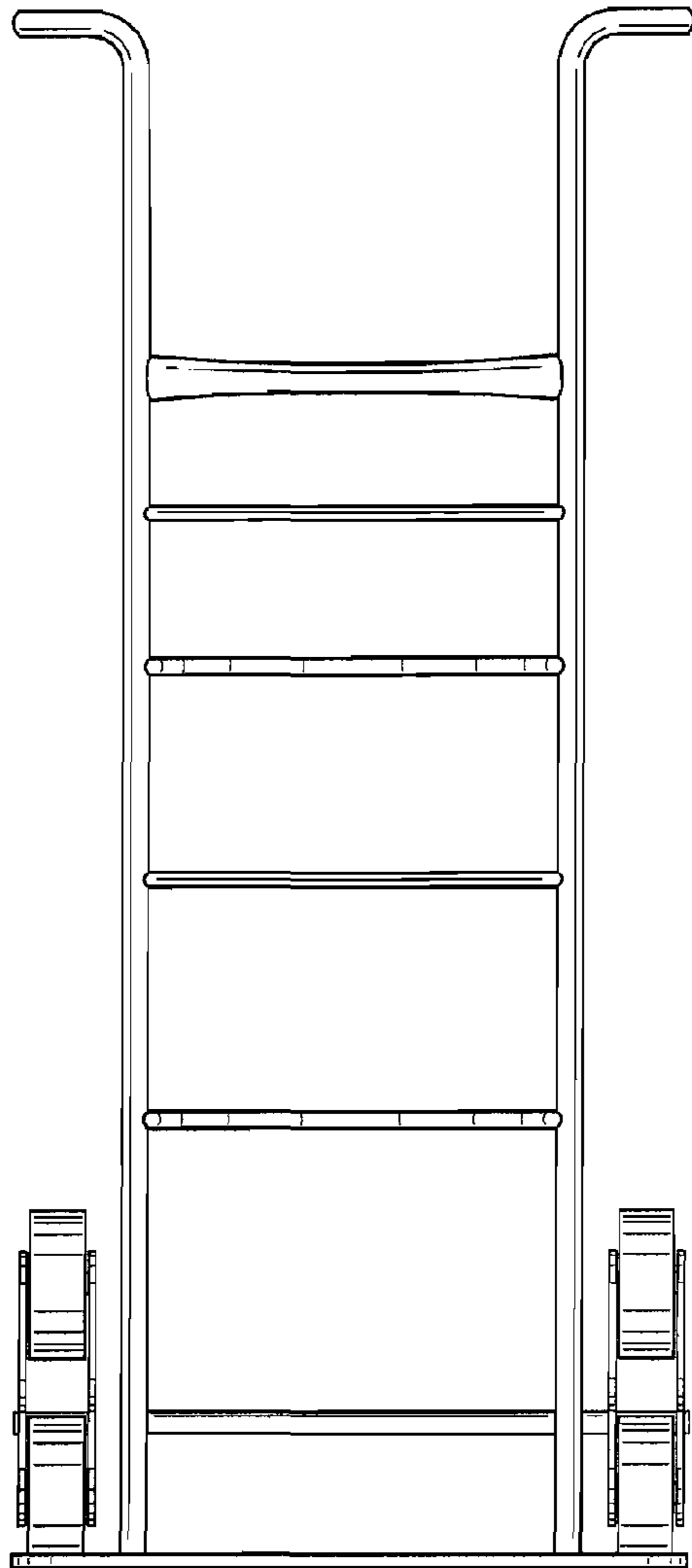


FIG. 1

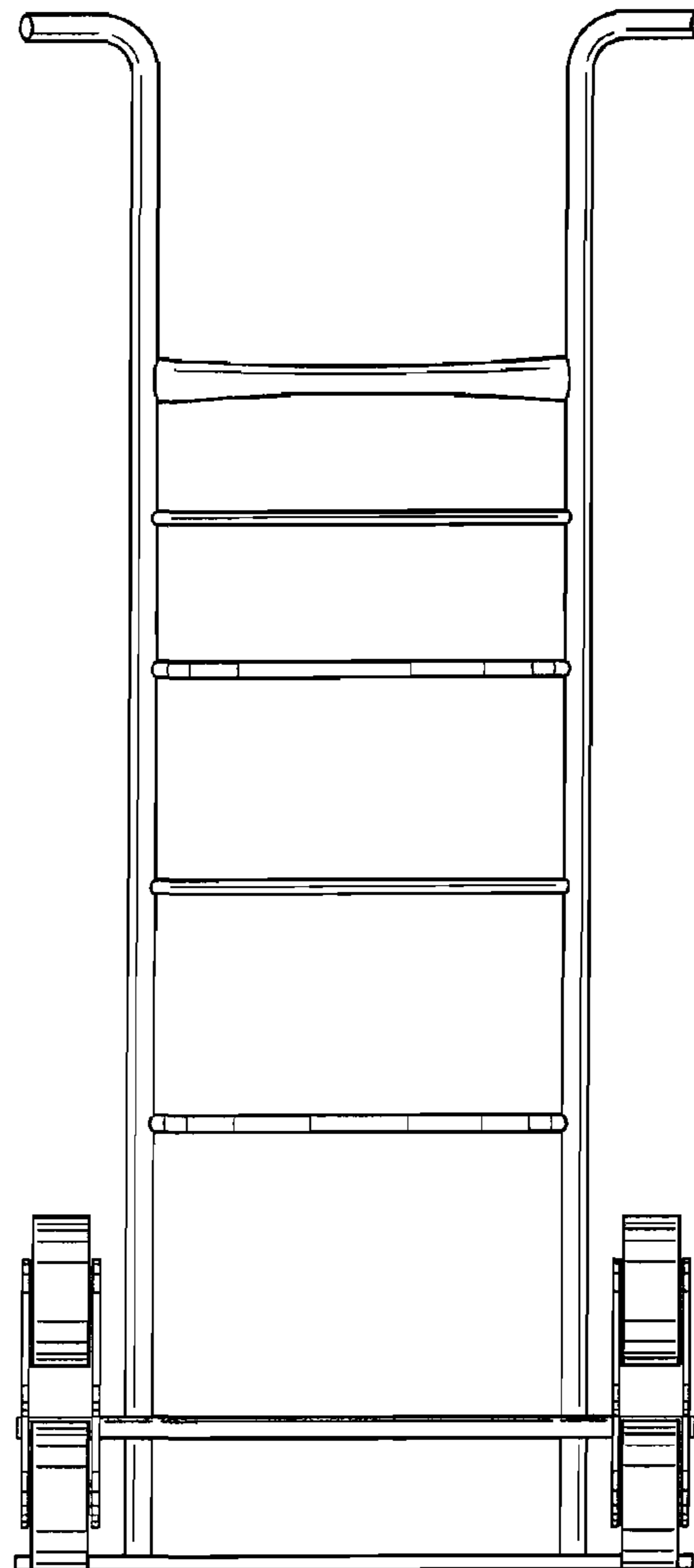


FIG. 2

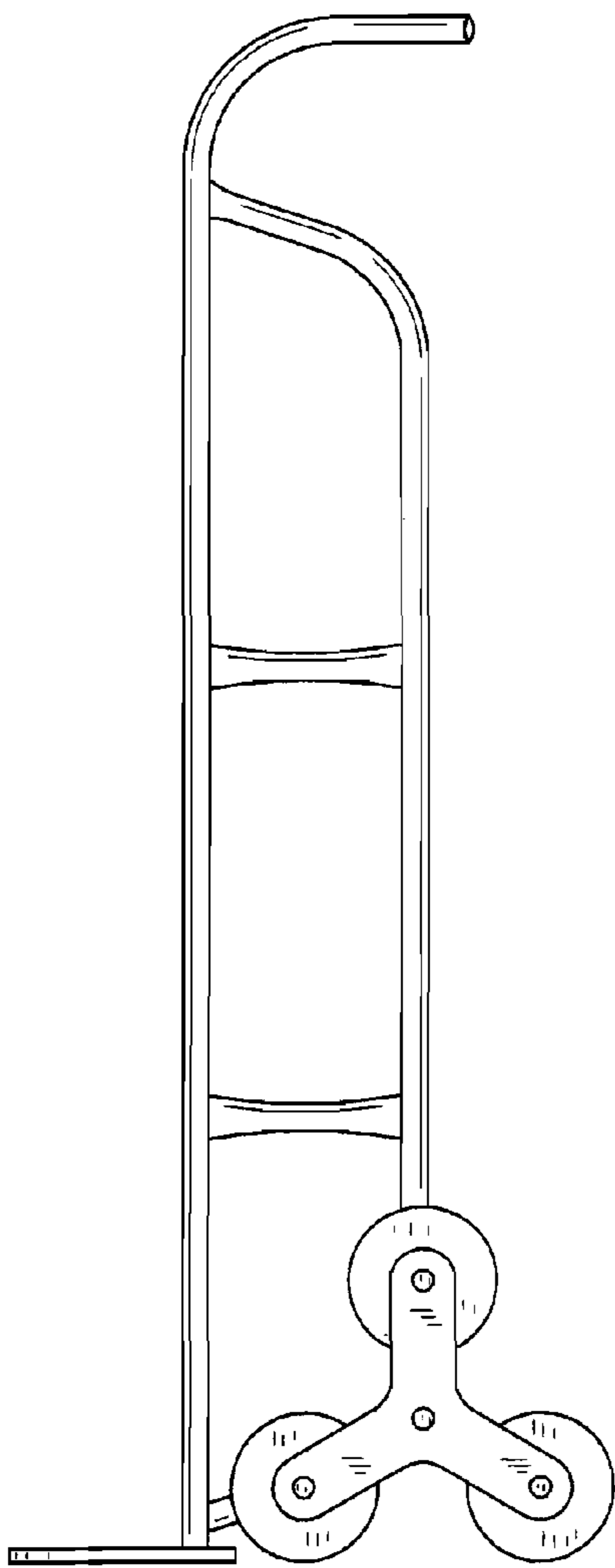


FIG. 3

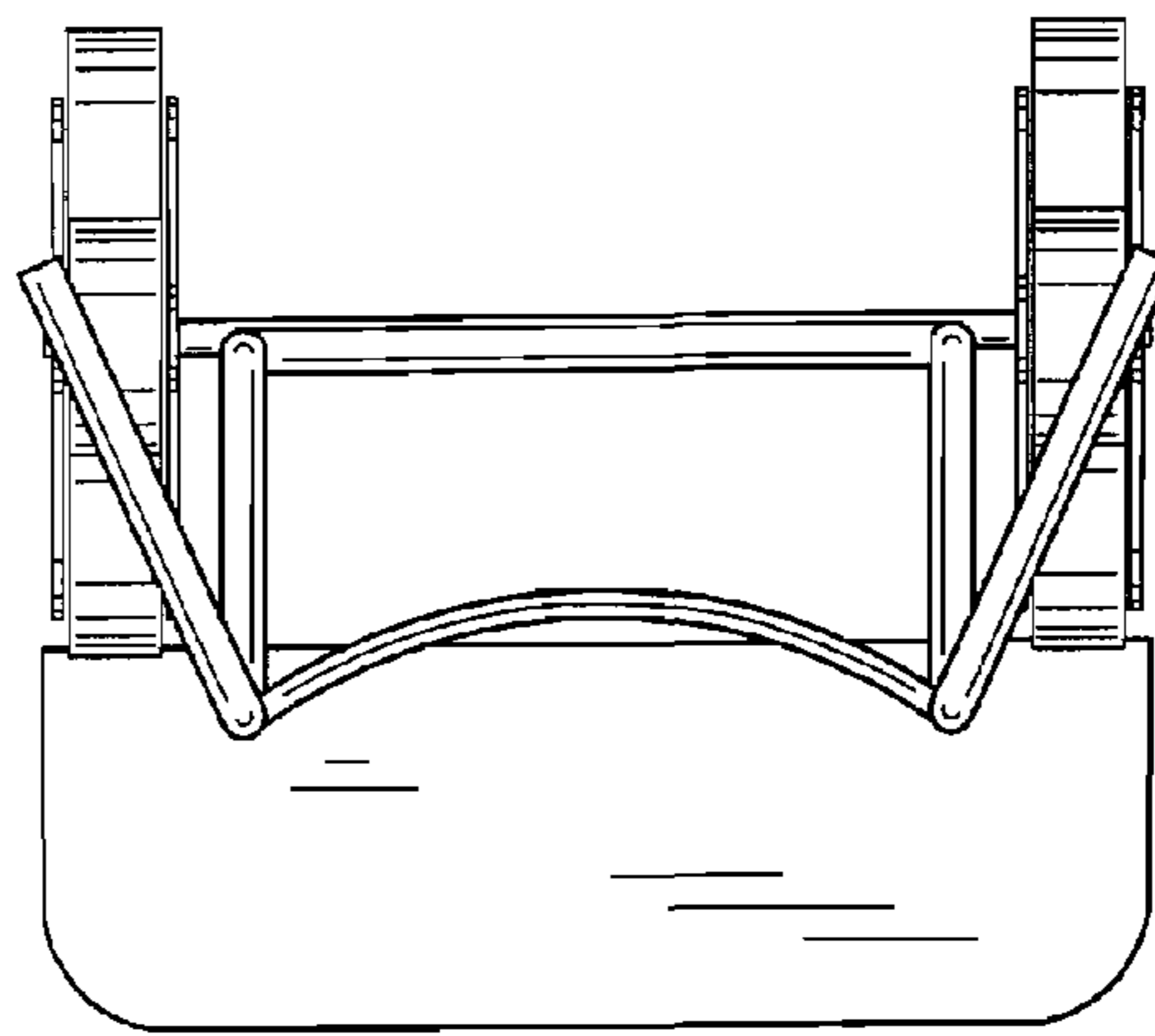


FIG. 4

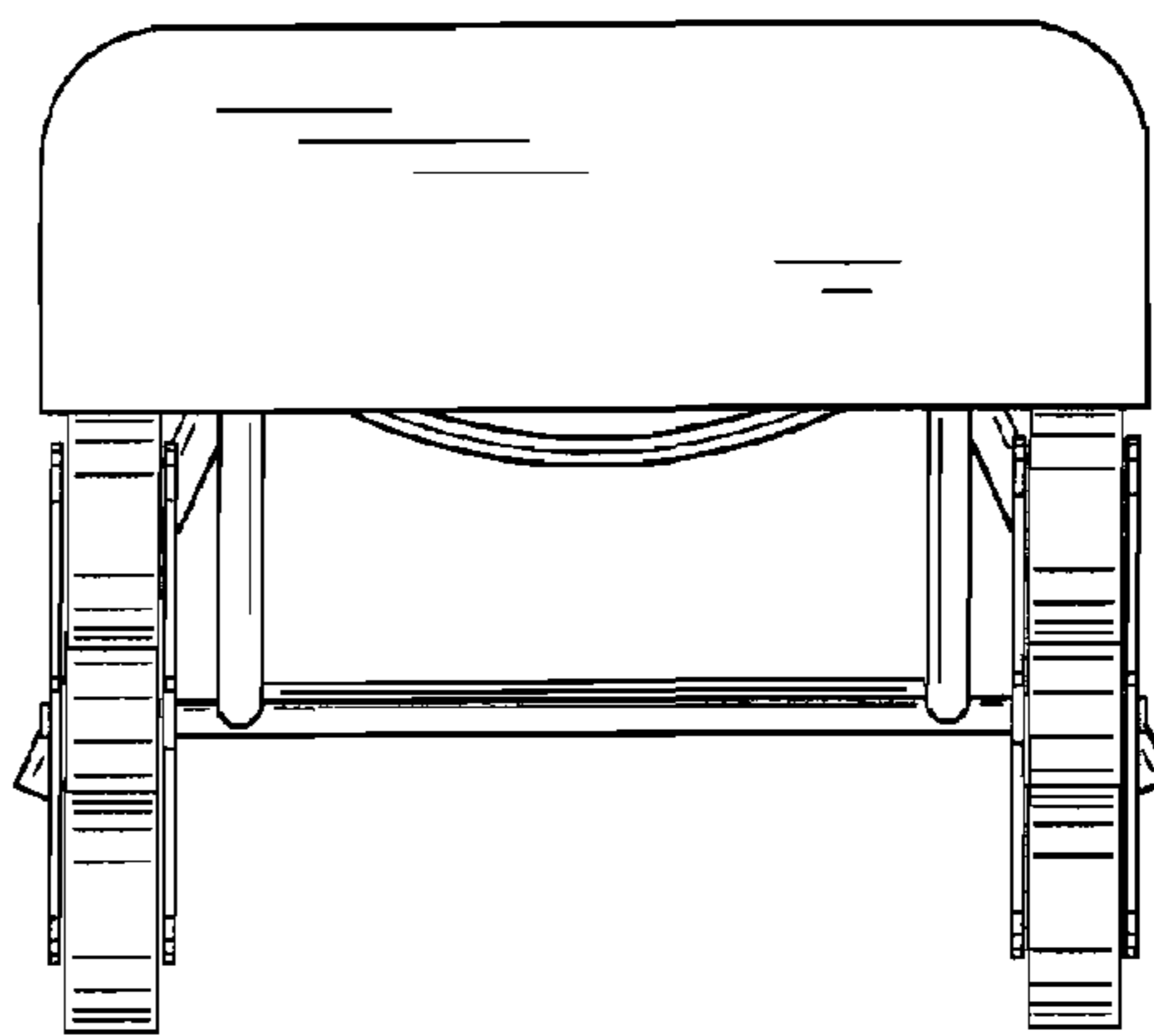


FIG. 5

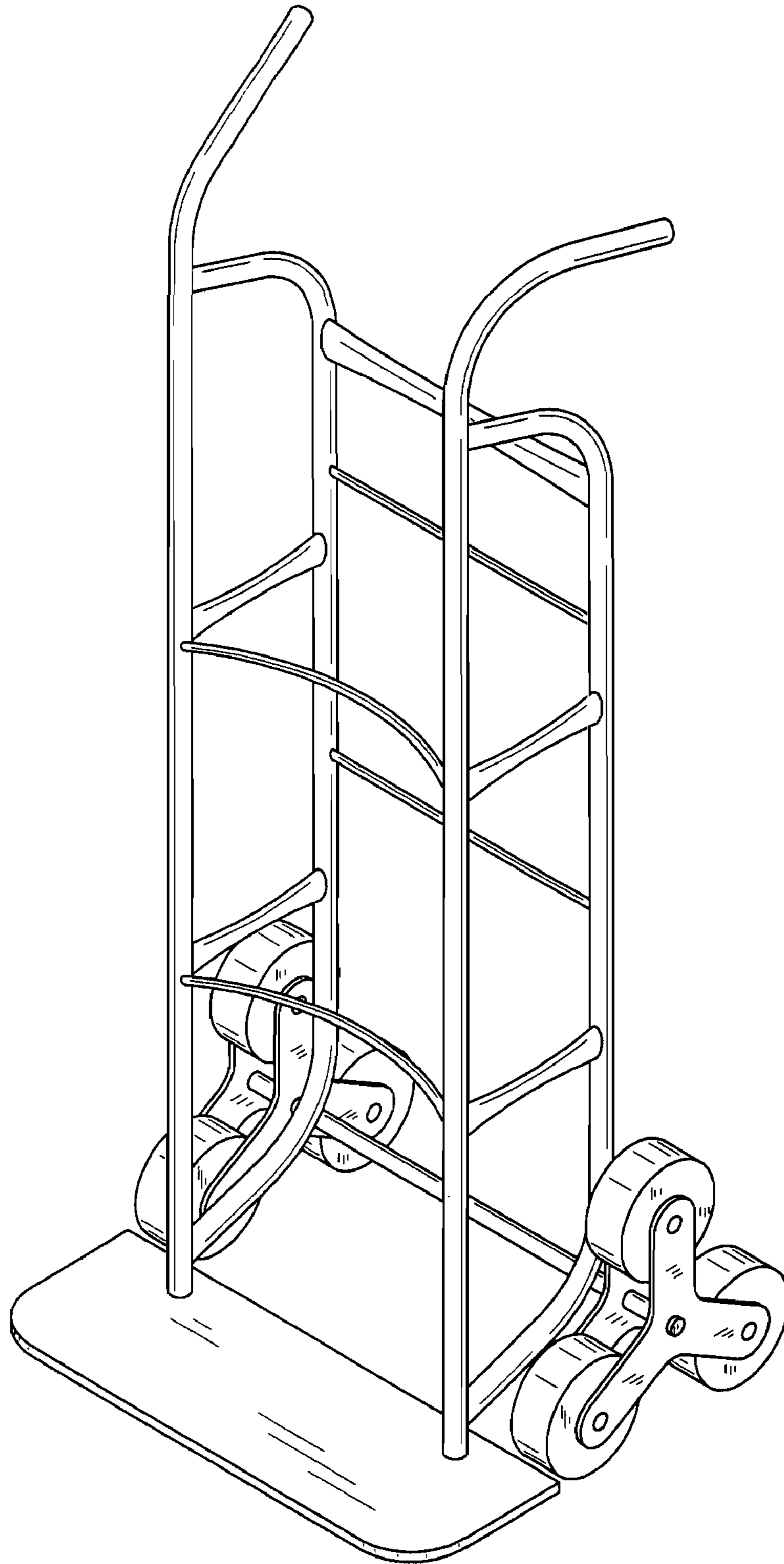


FIG. 6