



US00D590119S

(12) **United States Design Patent**  
**Swick**

(10) **Patent No.:** **US D590,119 S**

(45) **Date of Patent:** **\*\* Apr. 7, 2009**

(54) **RECYCLING CONTAINER UNIT**

(76) Inventor: **John O. Swick**, 7931 S. Broadway, Apt.  
307, Littleton, CO (US) 80122-2710

(\*\*) Term: **14 Years**

(21) Appl. No.: **29/299,383**

(22) Filed: **Dec. 24, 2007**

(51) **LOC (9) Cl.** ..... **09-09**

(52) **U.S. Cl.** ..... **D34/7**

(58) **Field of Classification Search** ..... D34/1,  
D34/4, 5, 6, 7, 8, 9, 10, 11; 220/908, 909,  
220/262, 263, 264

See application file for complete search history.

(56) **References Cited**

**U.S. PATENT DOCUMENTS**

|           |     |         |                |       |         |
|-----------|-----|---------|----------------|-------|---------|
| 3,384,260 | A * | 5/1968  | Buffington     | ..... | 206/558 |
| 3,720,346 | A * | 3/1973  | Cypher         | ..... | 220/533 |
| 4,646,628 | A * | 3/1987  | Lederman       | ..... | 99/413  |
| 4,834,253 | A   | 5/1989  | Crine          |       |         |
| D304,631  | S * | 11/1989 | McCarville     | ..... | D34/5   |
| 4,878,592 | A   | 11/1989 | Lee            |       |         |
| 4,905,853 | A * | 3/1990  | Strawder       | ..... | 220/523 |
| D319,126  | S   | 8/1991  | Blackman       |       |         |
| D319,519  | S * | 8/1991  | Keir           | ..... | D34/7   |
| 5,101,997 | A   | 4/1992  | Bagwell et al. |       |         |
| D327,760  | S * | 7/1992  | Donnelly       | ..... | D34/7   |
| 5,143,246 | A   | 9/1992  | Johnson et al. |       |         |
| D330,026  | S * | 10/1992 | Peersmann      | ..... | D14/165 |

|           |     |         |                 |       |       |
|-----------|-----|---------|-----------------|-------|-------|
| D330,955  | S * | 11/1992 | Humphries       | ..... | D34/7 |
| D332,848  | S * | 1/1993  | Williams        | ..... | D34/5 |
| D335,561  | S * | 5/1993  | Mihyar          | ..... | D34/7 |
| D335,730  | S * | 5/1993  | Tessner et al.  | ..... | D34/7 |
| D345,837  | S * | 4/1994  | Bean            | ..... | D34/5 |
| 5,398,838 | A   | 3/1995  | Dosunmu         |       |       |
| 5,558,254 | A   | 9/1996  | Anderson et al. |       |       |
| 5,878,904 | A   | 3/1999  | Schweigert      |       |       |
| D436,705  | S * | 1/2001  | Dow et al.      | ..... | D34/5 |
| D544,169  | S * | 6/2007  | Jones           | ..... | D34/7 |
| D554,823  | S * | 11/2007 | Jones           | ..... | D34/7 |

\* cited by examiner

*Primary Examiner*—Cynthia E Ramirez

(57) **CLAIM**

The ornamental design for a recycling container unit, as shown and described.

**DESCRIPTION**

FIG. 1 is a right elevation view of a recycling container unit with a lid removed for clarity showing my new design;

FIG. 2 is a front elevation view with a lid removed for clarity;

FIG. 3 is a rear elevation view with a lid removed for clarity;

FIG. 4 is a top plan view with a lid removed for clarity;

FIG. 5 is a bottom plan view with a lid removed for clarity; and,

FIG. 6 is an isometric view of a recycling container unit with a lid removed for clarity.

**1 Claim, 6 Drawing Sheets**

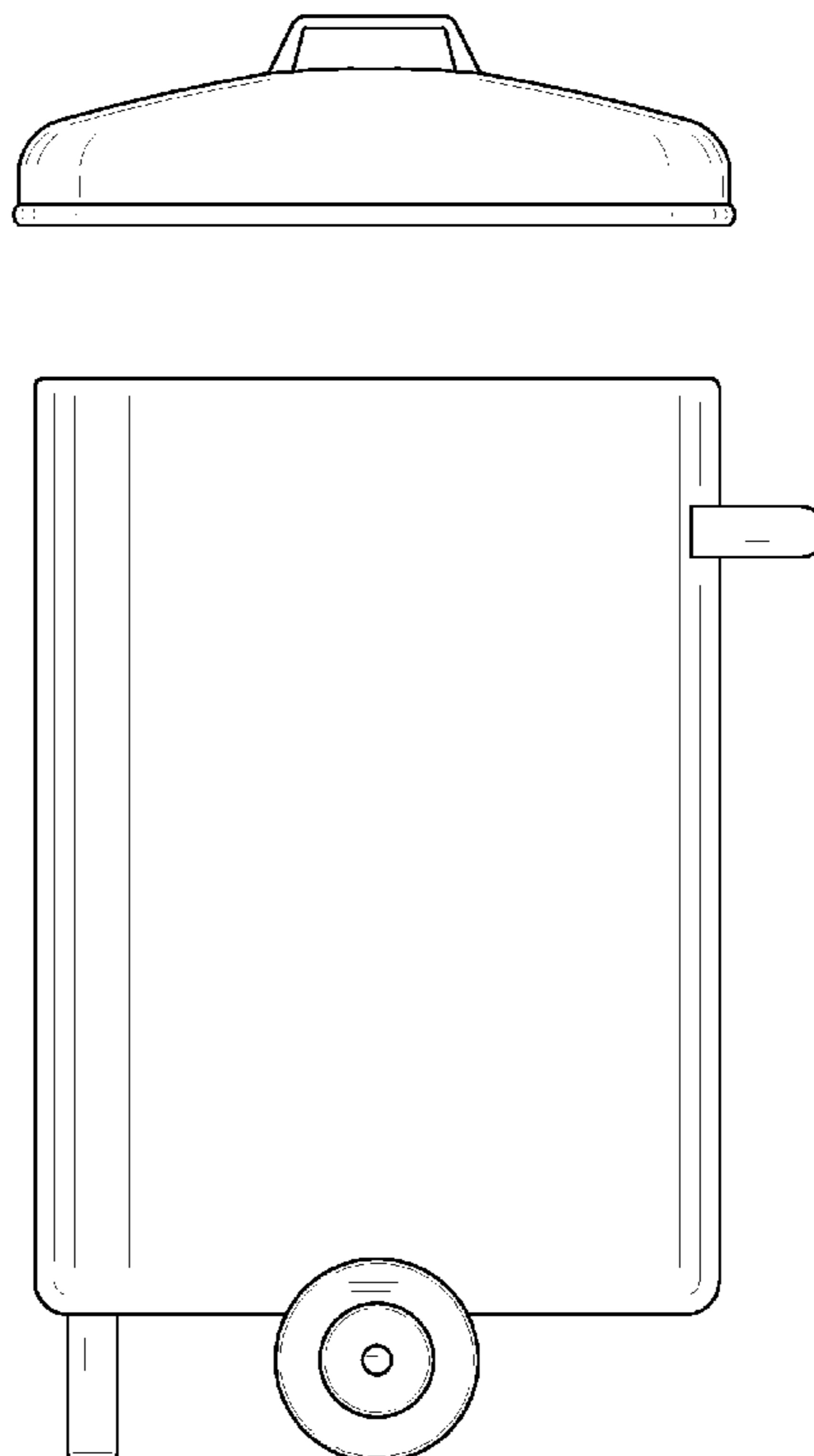
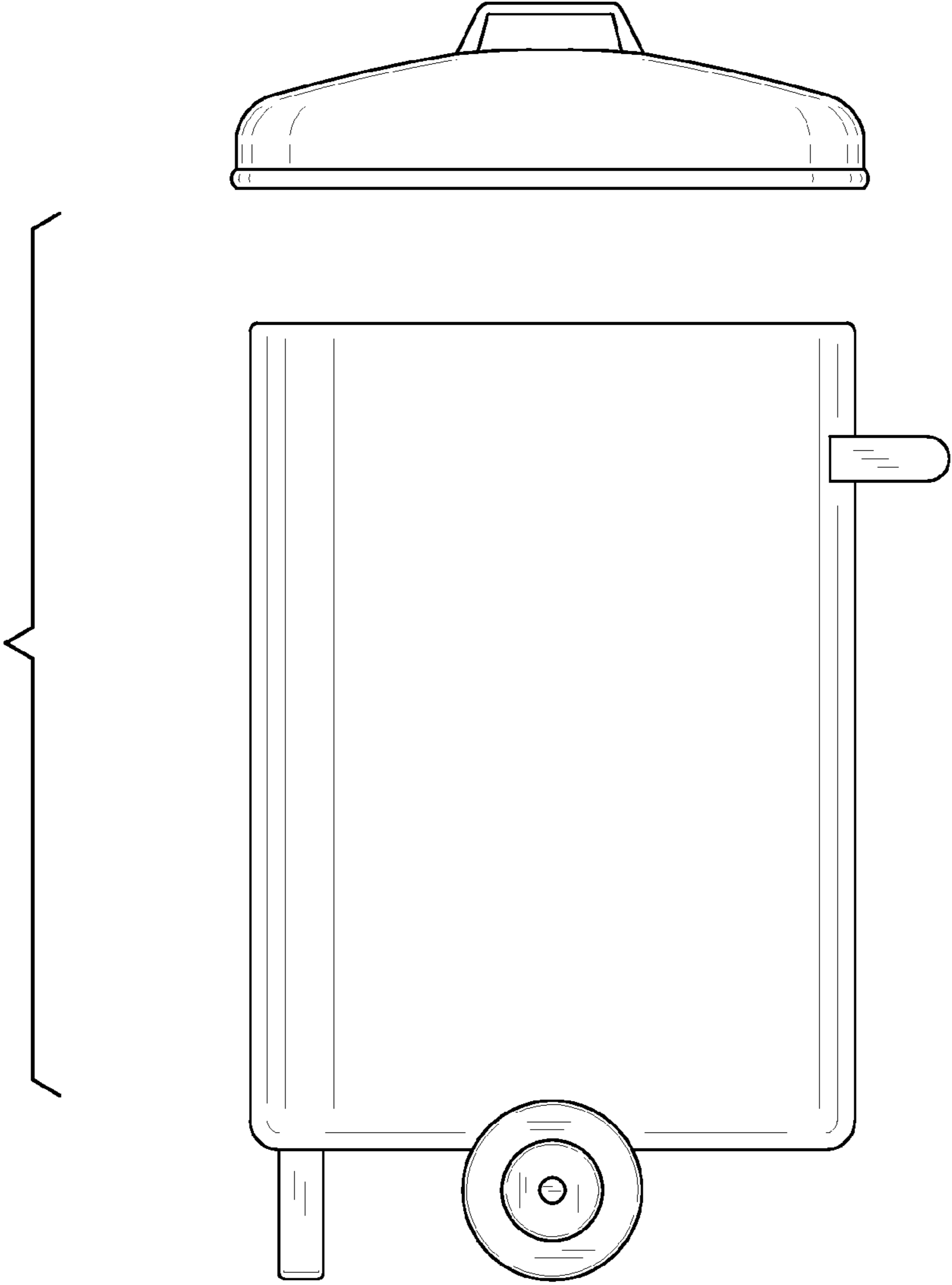


FIG. 1



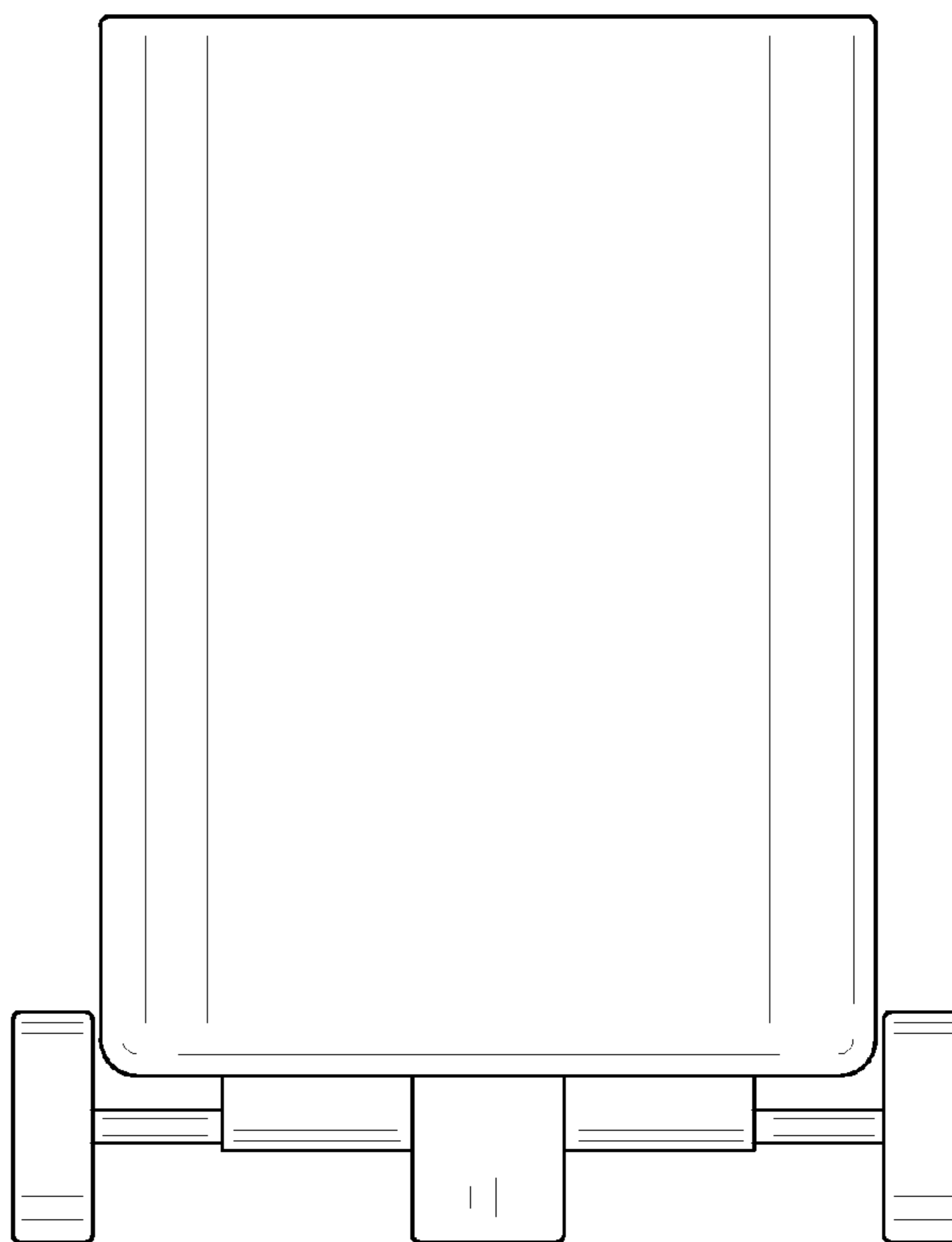
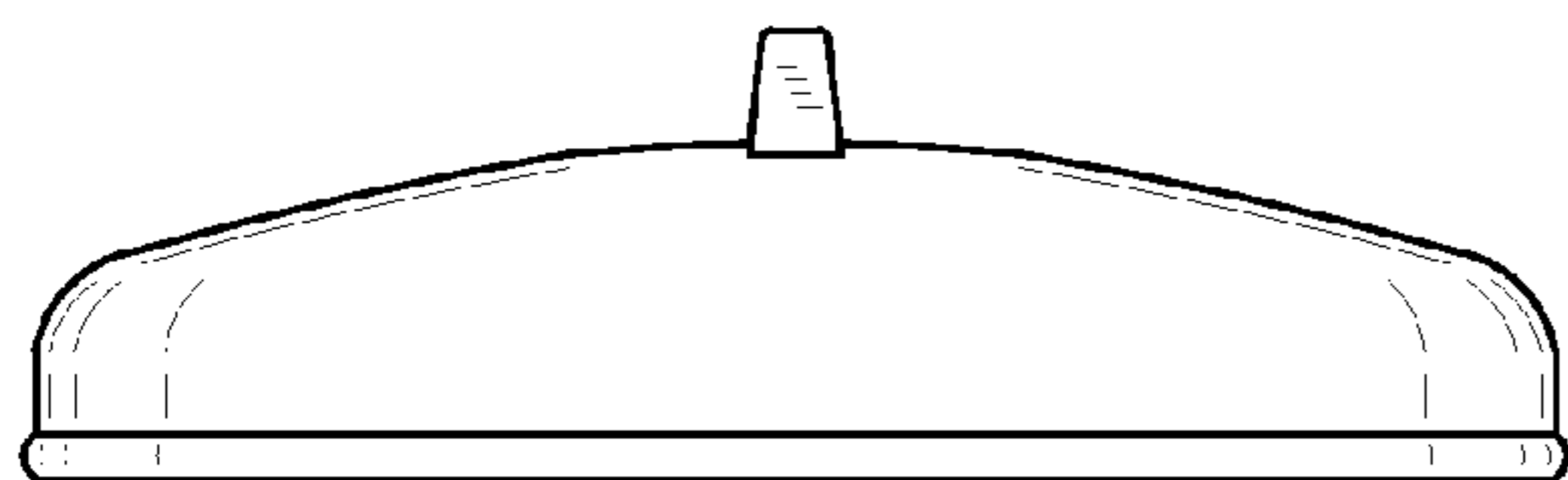


FIG. 2

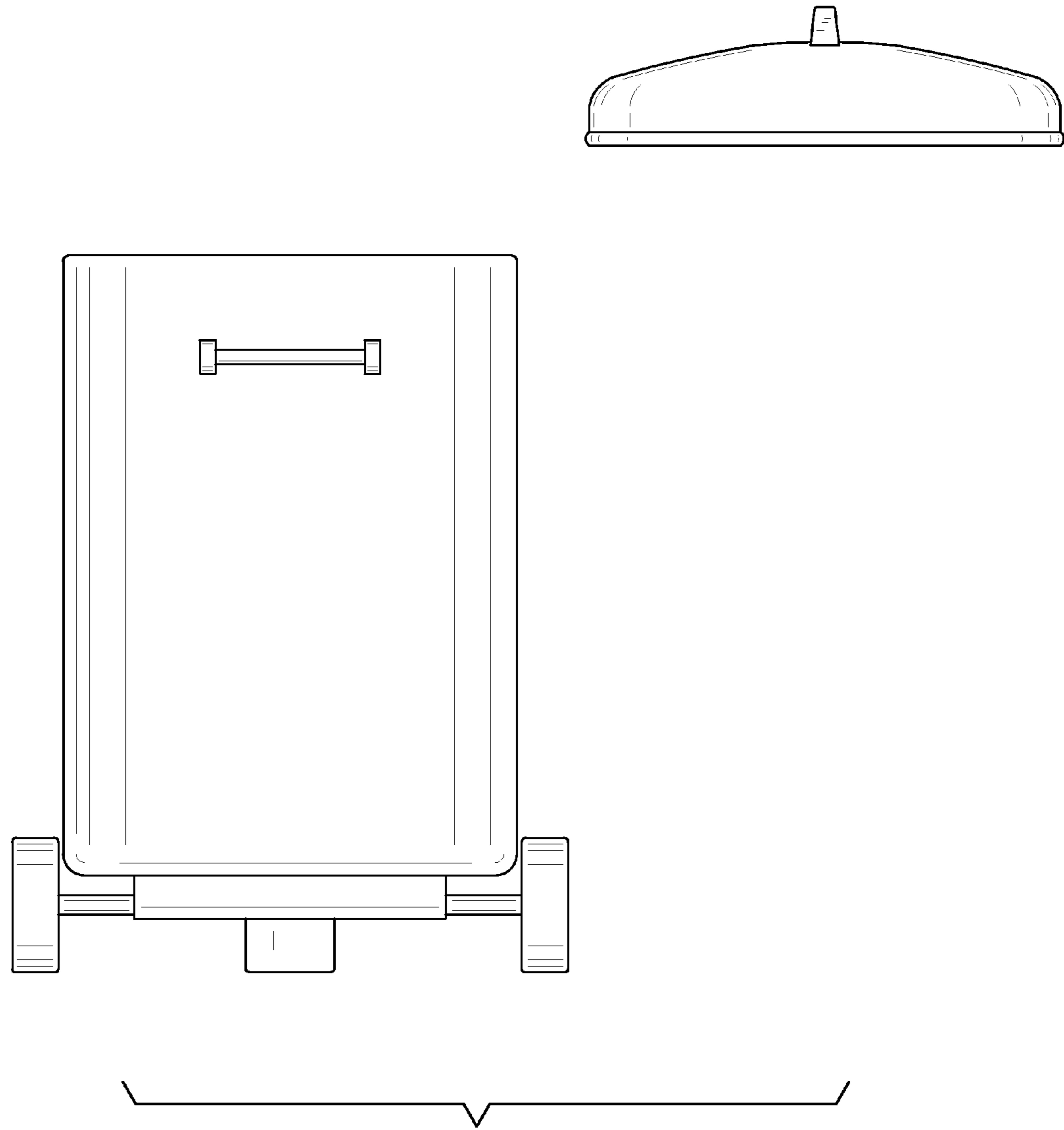


FIG. 3

FIG. 4

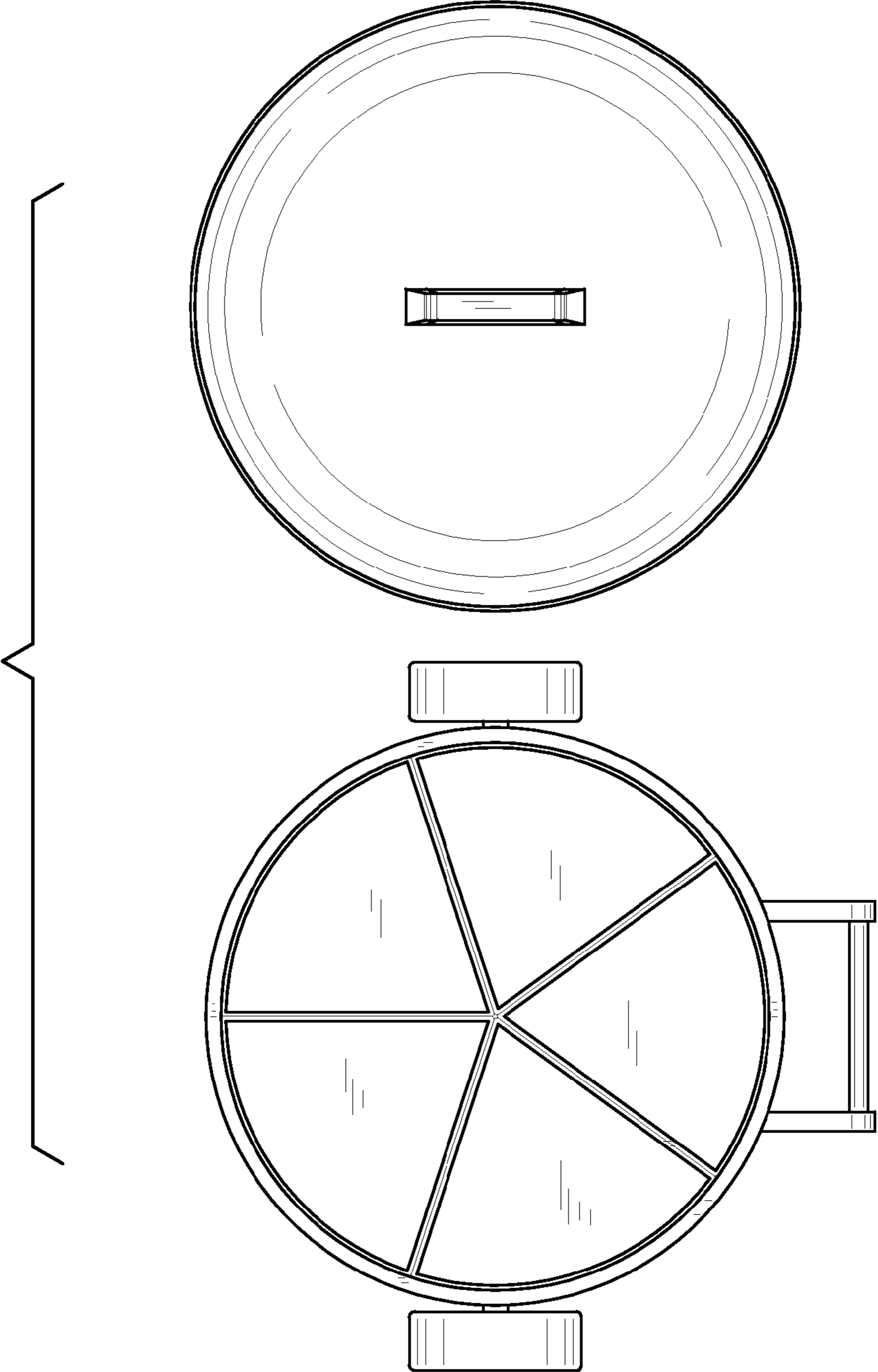
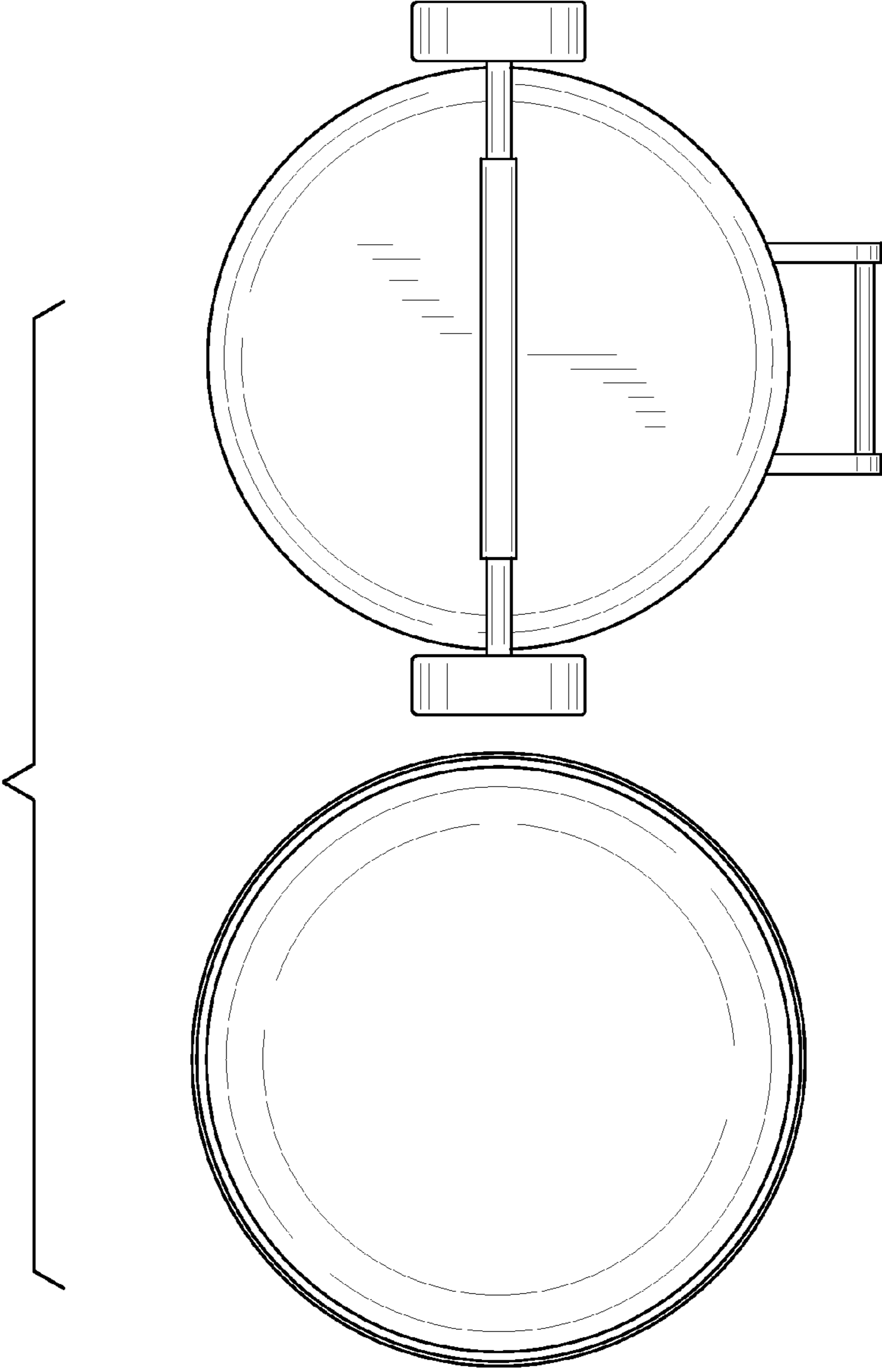


FIG. 5



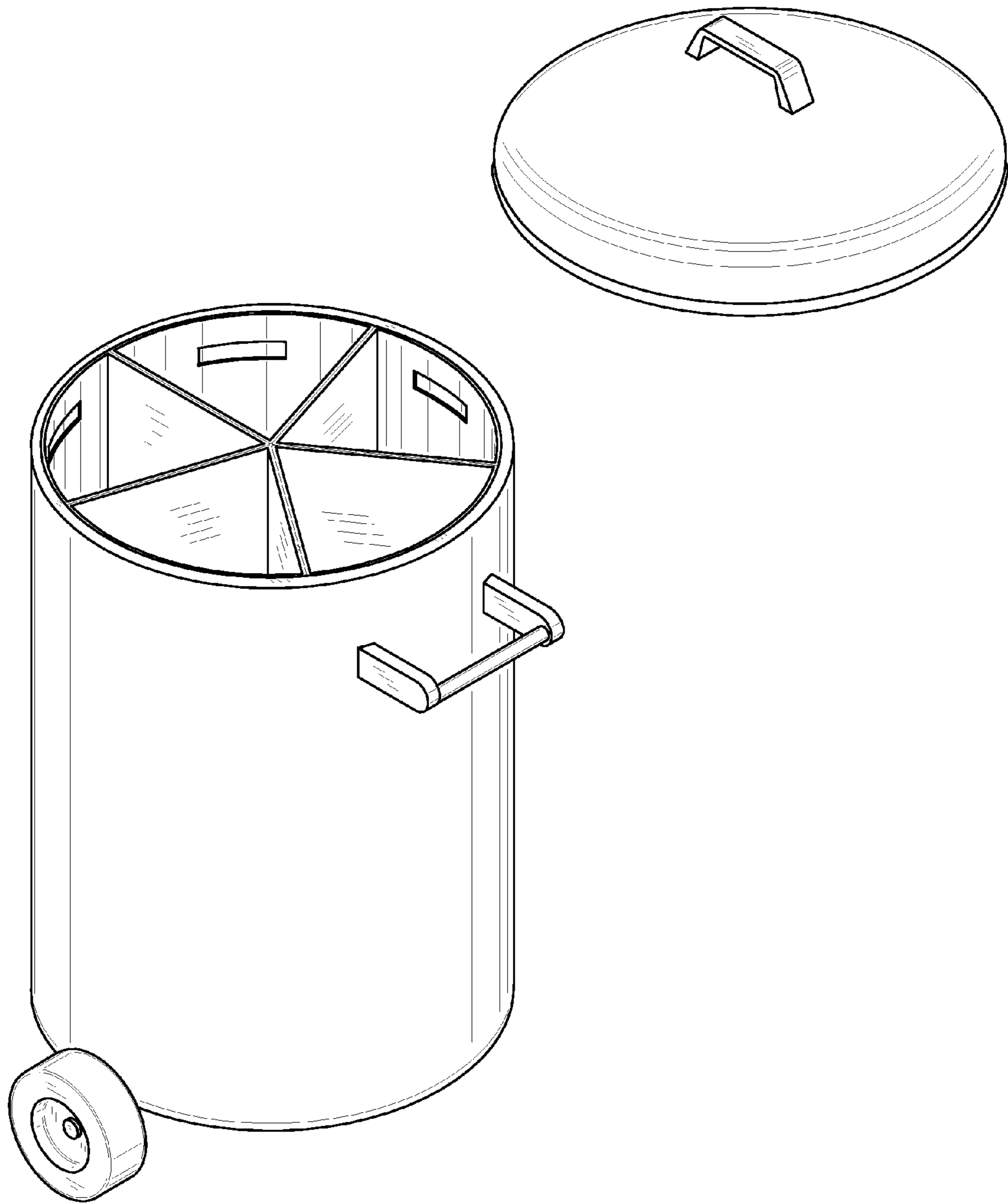


FIG. 6