



US00D590117S

(12) **United States Design Patent**
Crawford et al.

(10) **Patent No.:** **US D590,117 S**
(45) **Date of Patent:** **** Apr. 7, 2009**

(54) **FLOOR MAINTENANCE TOOL**

(75) Inventors: **Charles A. Crawford**, Racine, WI (US);
Andrew M. Bober, Racine, WI (US);
Craig Conner, Madison, WI (US);
Mark Cors, Columbus, WI (US);
Nicholas Reback, Monona, WI (US);
Daniel Lee, Monticello, WI (US)

(73) Assignee: **JohnsonDiversey, Inc.**, Sturtevant, WI (US)

(**) Term: **14 Years**

(21) Appl. No.: **29/279,572**

(22) Filed: **May 3, 2007**

(51) **LOC (9) Cl.** **04-01**

(52) **U.S. Cl.** **D32/45; D32/50**

(58) **Field of Classification Search** **D32/40-46,**
D32/49, 50, 35; 15/121, 245, 143.1, 236.01;
401/137-140

See application file for complete search history.

(56) **References Cited**

U.S. PATENT DOCUMENTS

4,863,299	A *	9/1989	Osberghaus et al.	401/15
D425,274	S *	5/2000	Kunkler	D32/35
D487,174	S *	2/2004	Colman et al.	D32/45
D497,699	S *	10/2004	Chi-Hsiang et al.	D32/45
6,899,485	B2 *	5/2005	Hall et al.	401/140
D514,267	S *	1/2006	Tsai	D32/45

* cited by examiner

Primary Examiner—Robin V Webster

(74) *Attorney, Agent, or Firm*—Gregory S. Bollis

(57) **CLAIM**

We claim the ornamental design for a floor maintenance tool, as shown and described.

DESCRIPTION

FIG. 1 is a perspective view of a floor maintenance tool embodying aspects of the invention.

FIG. 2 is an additional perspective view of a floor maintenance tool shown in FIG. 1

FIG. 3 is a side view of the floor maintenance tool shown in FIG. 1.

FIG. 4 is a front view of the floor maintenance tool shown in FIG. 1.

FIG. 5 is a side view of the floor maintenance tool shown in FIG. 1.

FIG. 6 is a rear view of the floor maintenance tool shown in FIG. 1.

FIG. 7 is a perspective view of the reservoir and reservoir holder shown in FIG. 1.

FIG. 8 is a rear perspective view of the reservoir and reservoir holder shown in FIG. 7.

FIG. 9 is an exploded perspective view of the reservoir and reservoir holder shown in FIG. 7.

FIG. 10 is another perspective view of the reservoir and reservoir holder shown in FIG. 7.

FIG. 11 is a perspective view of the reservoir holder shown in FIG. 7.

FIG. 12 is a perspective view of the reservoir holder shown in FIG. 7.

FIG. 13 is a perspective view of the reservoir holder shown in FIG. 7.

FIG. 14 is a perspective view of the reservoir shown in FIG. 1.

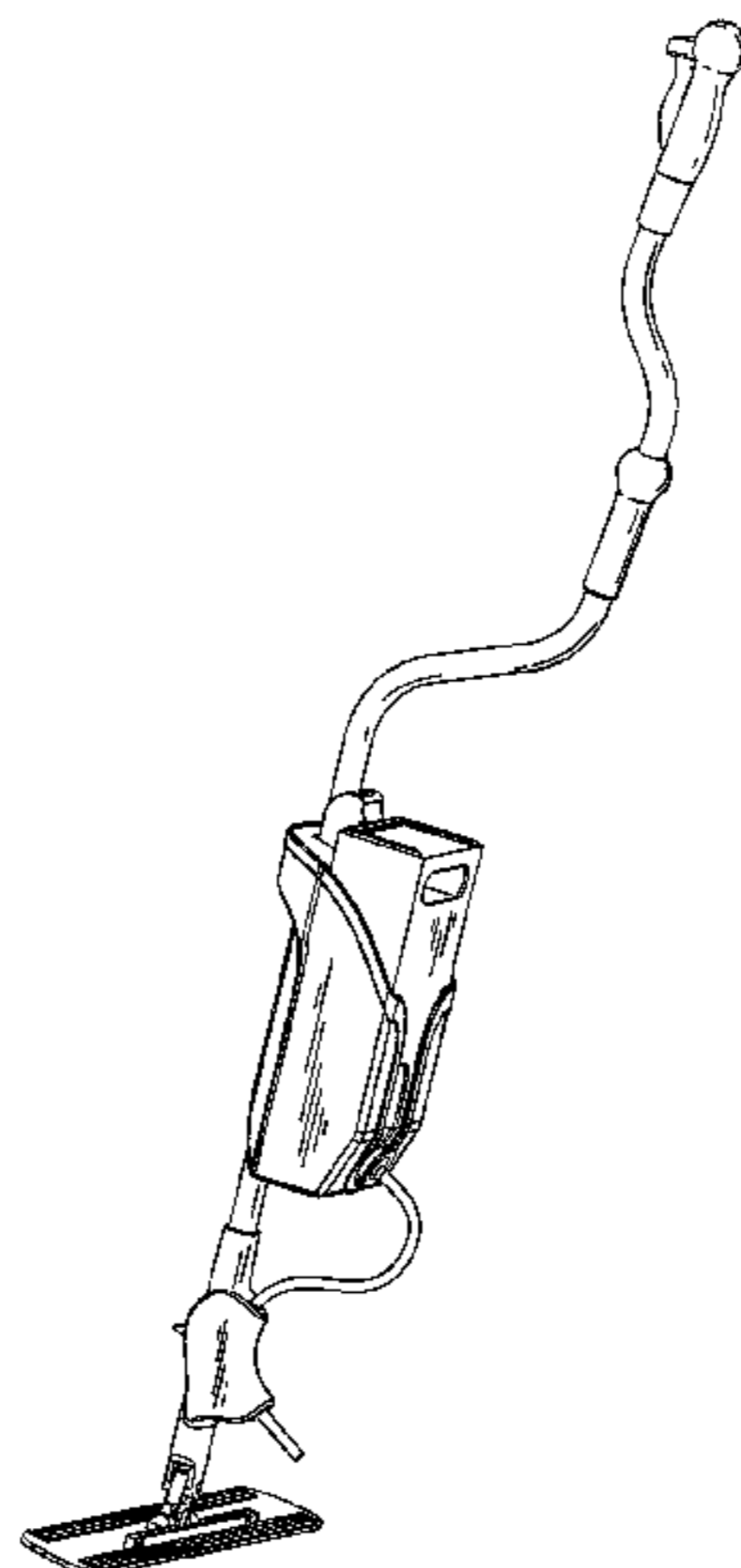
FIG. 15 is a perspective view of the reservoir shown in FIG. 14; and,

FIG. 16 is a side view of the reservoir shown in FIG. 14.

The present application is directed to the shape and contour of a floor maintenance tool or portions thereof as illustrated in the drawing. With respect to illustrations featuring broken line, the features shown in broken lines are not considered part of the design sought to be patented in that figure.

The elements shown broken away in FIGS. 7-16, are for ease of illustration.

1 Claim, 7 Drawing Sheets



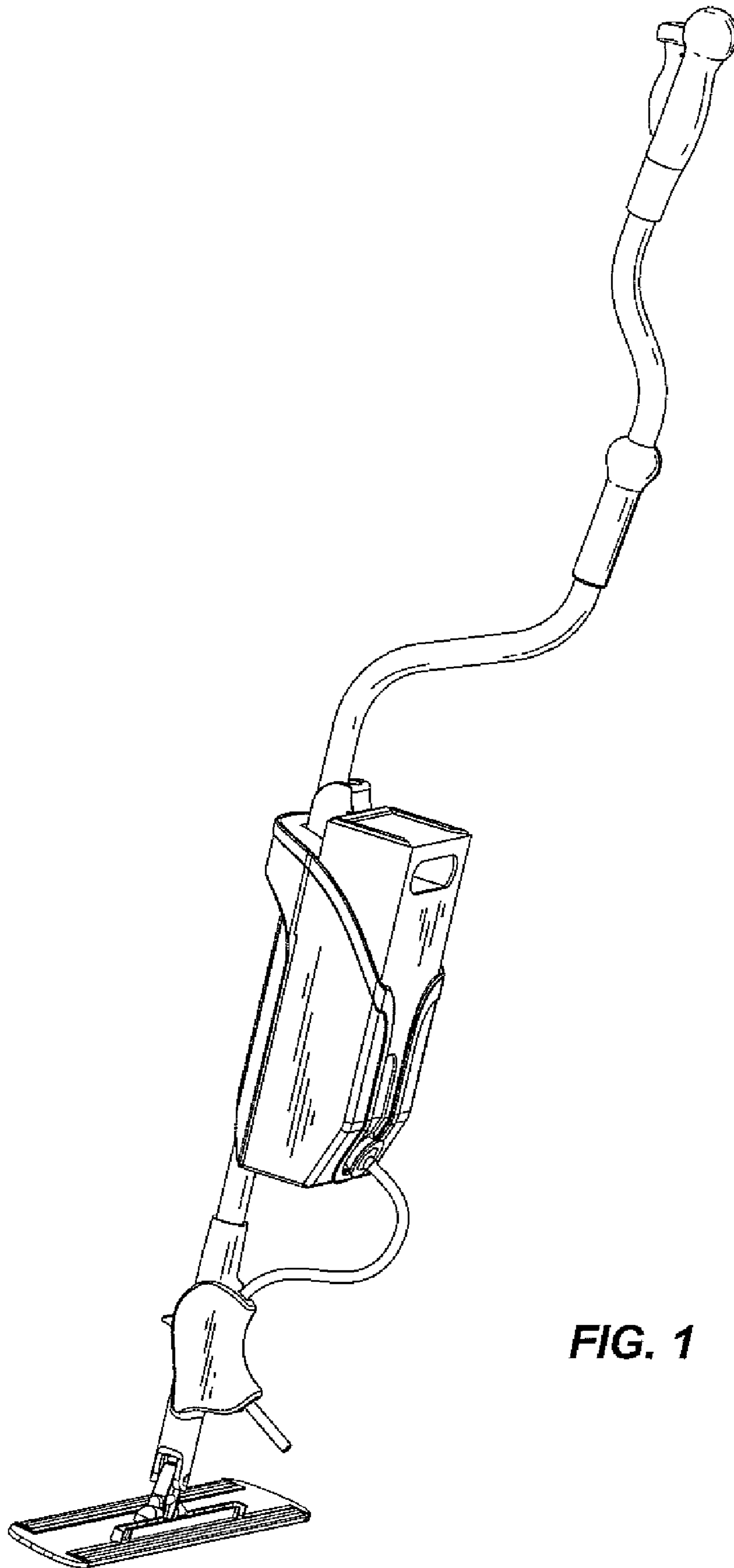


FIG. 1

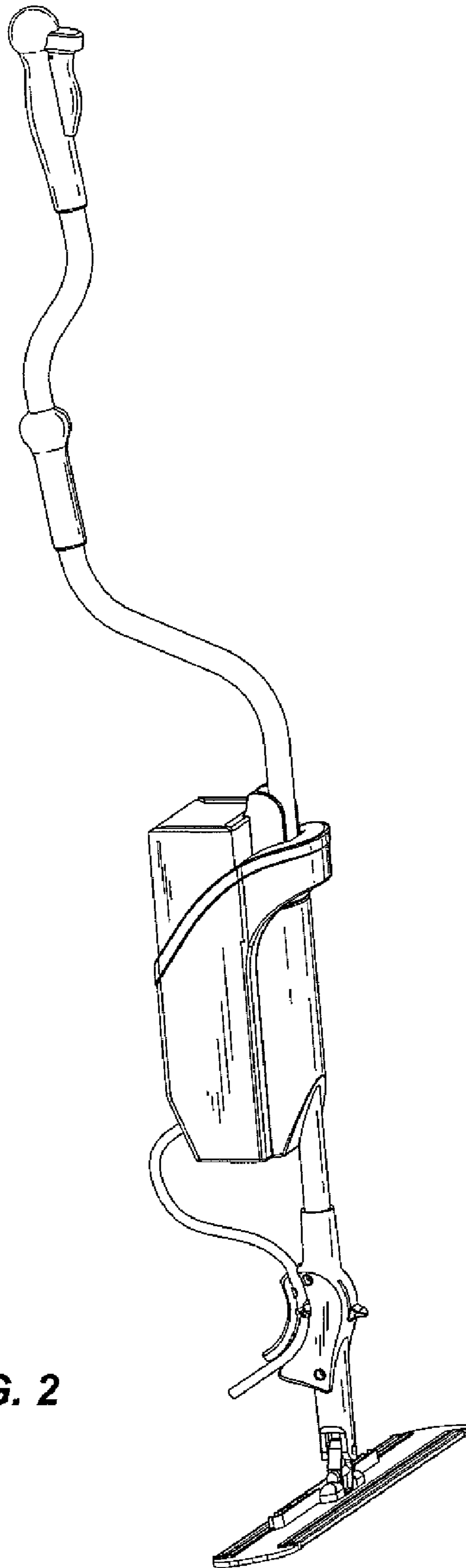


FIG. 2

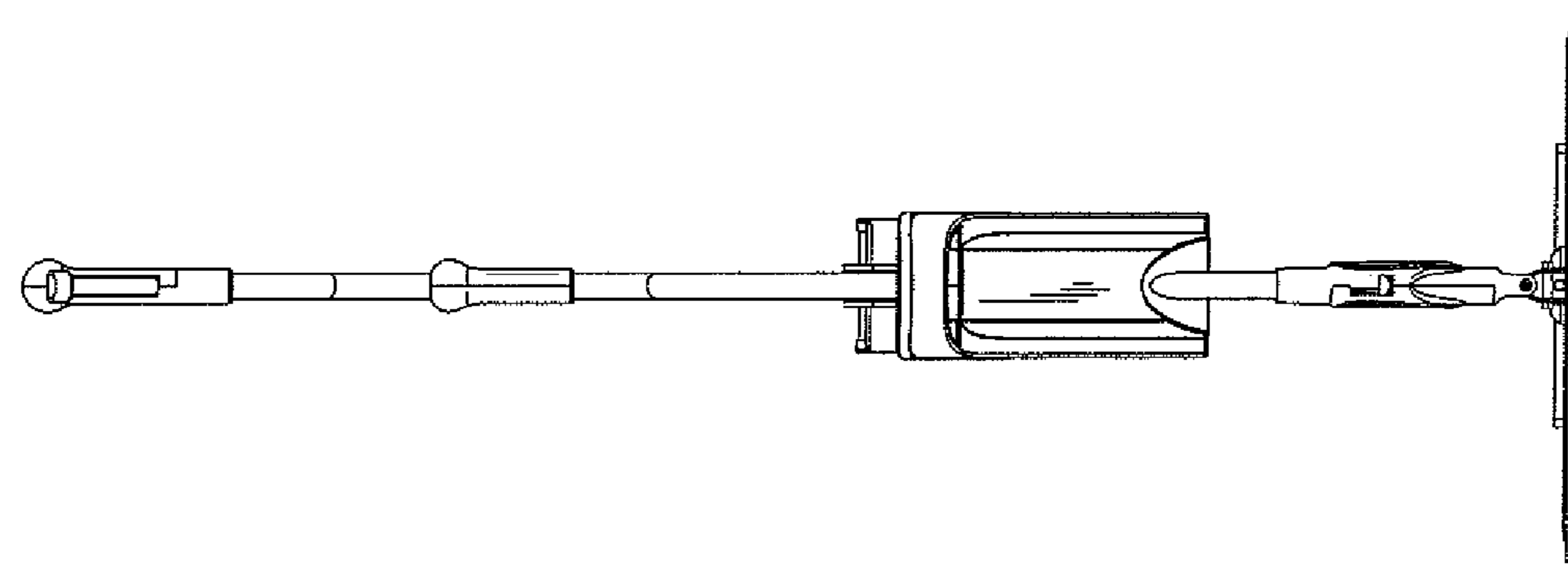


FIG. 6

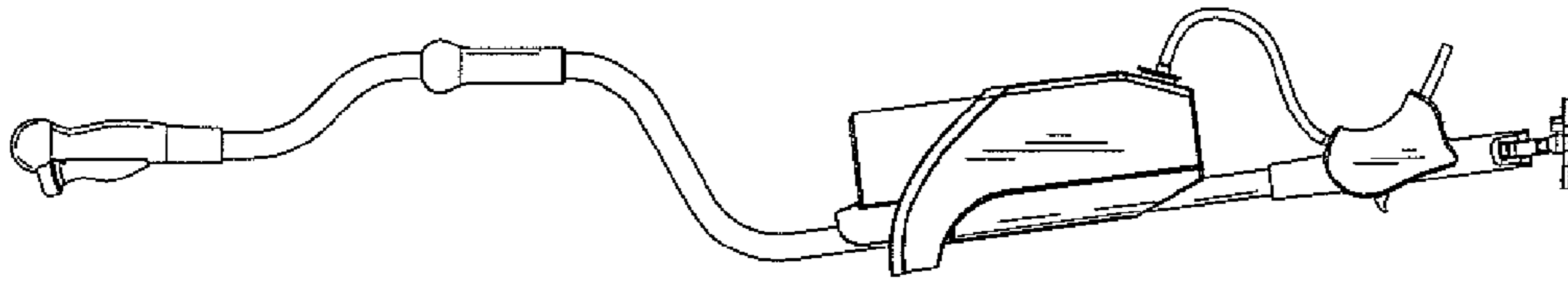


FIG. 5

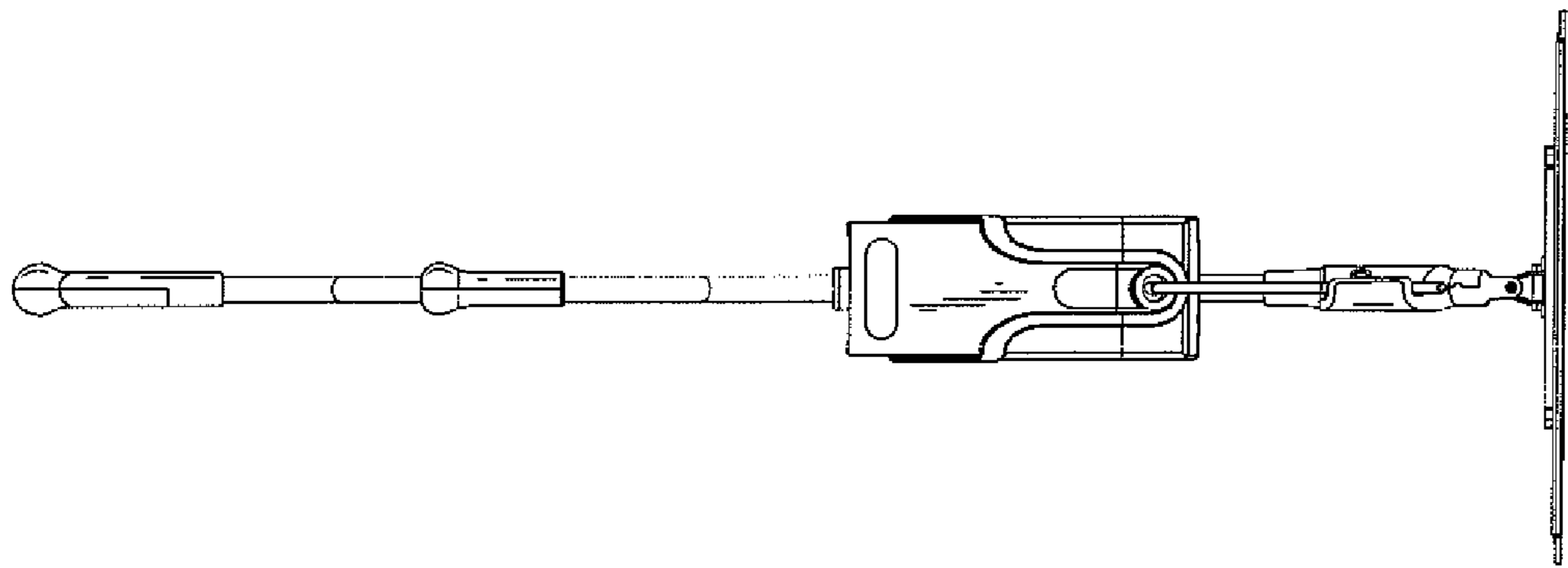


FIG. 4

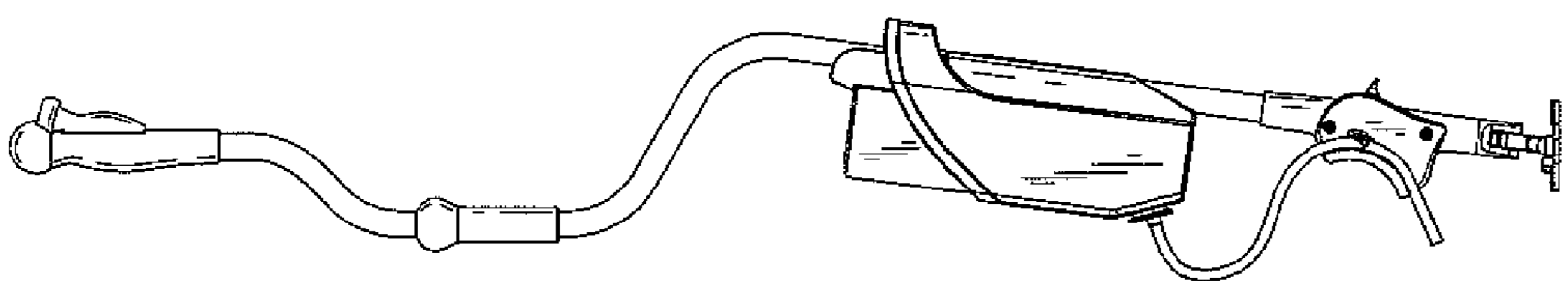


FIG. 3

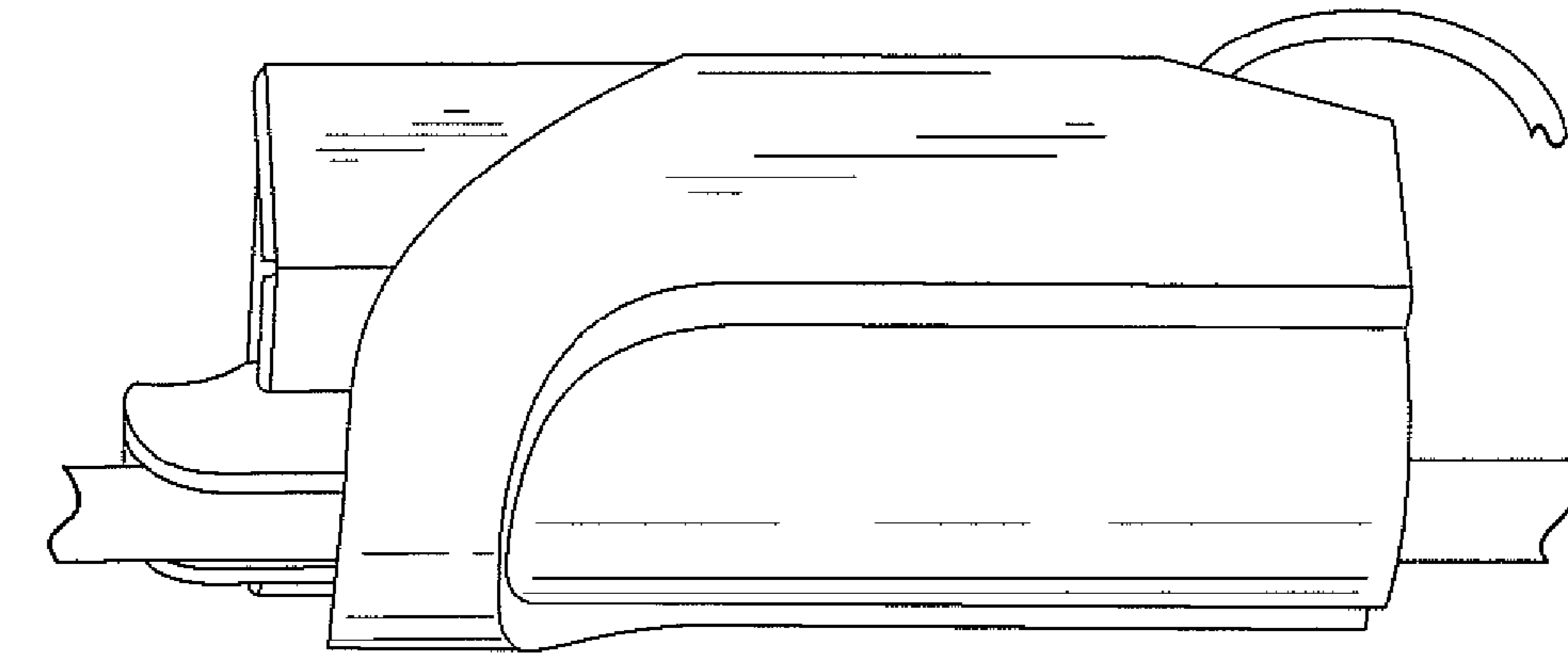


FIG. 8

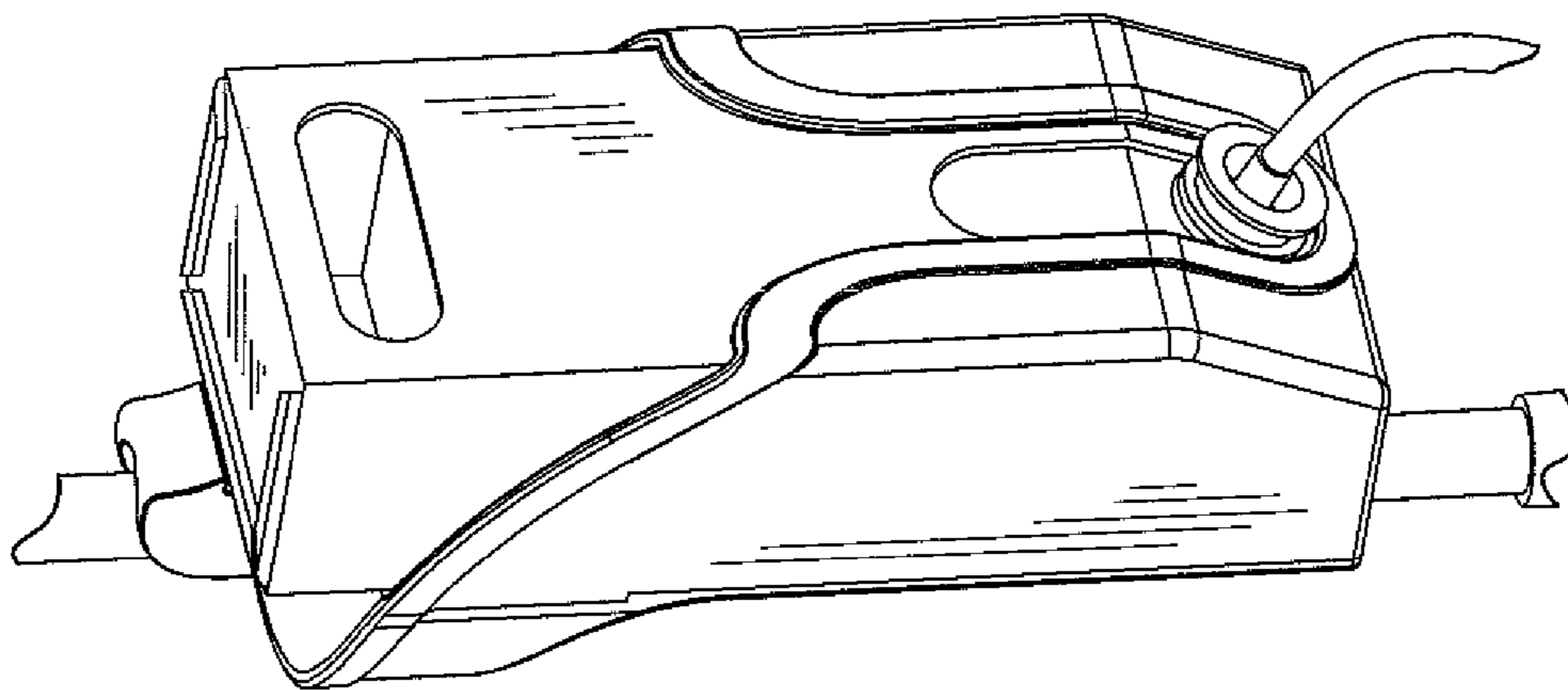


FIG. 7

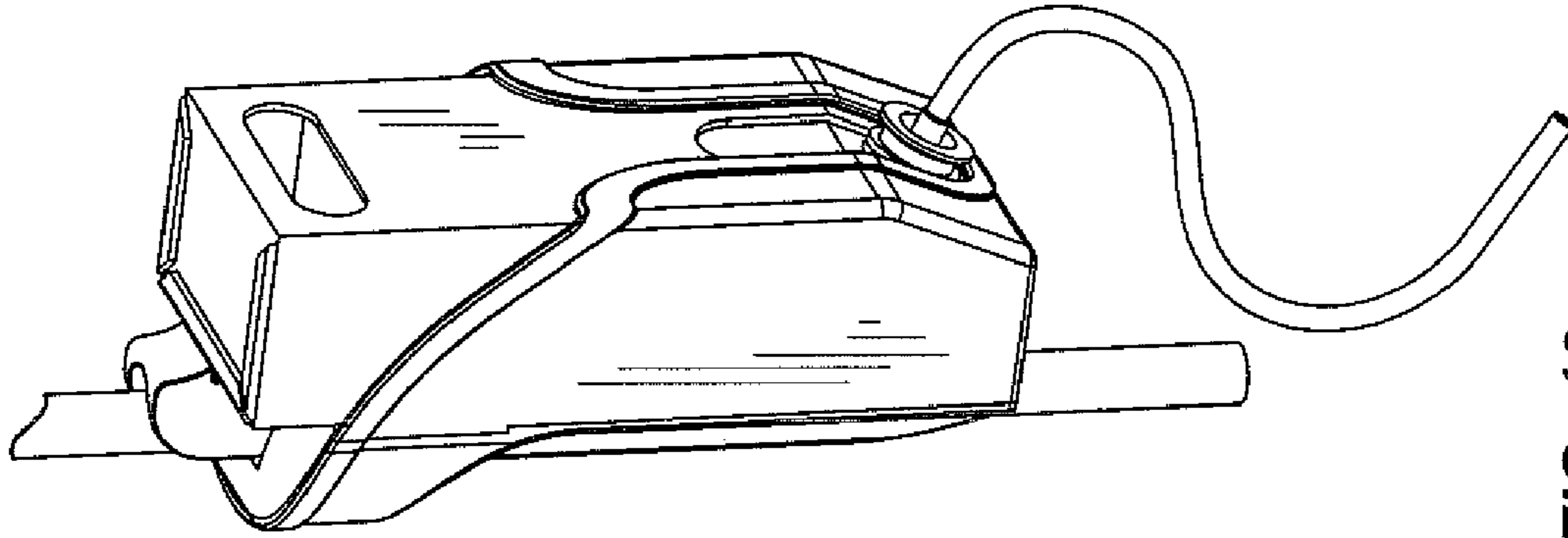


FIG. 10

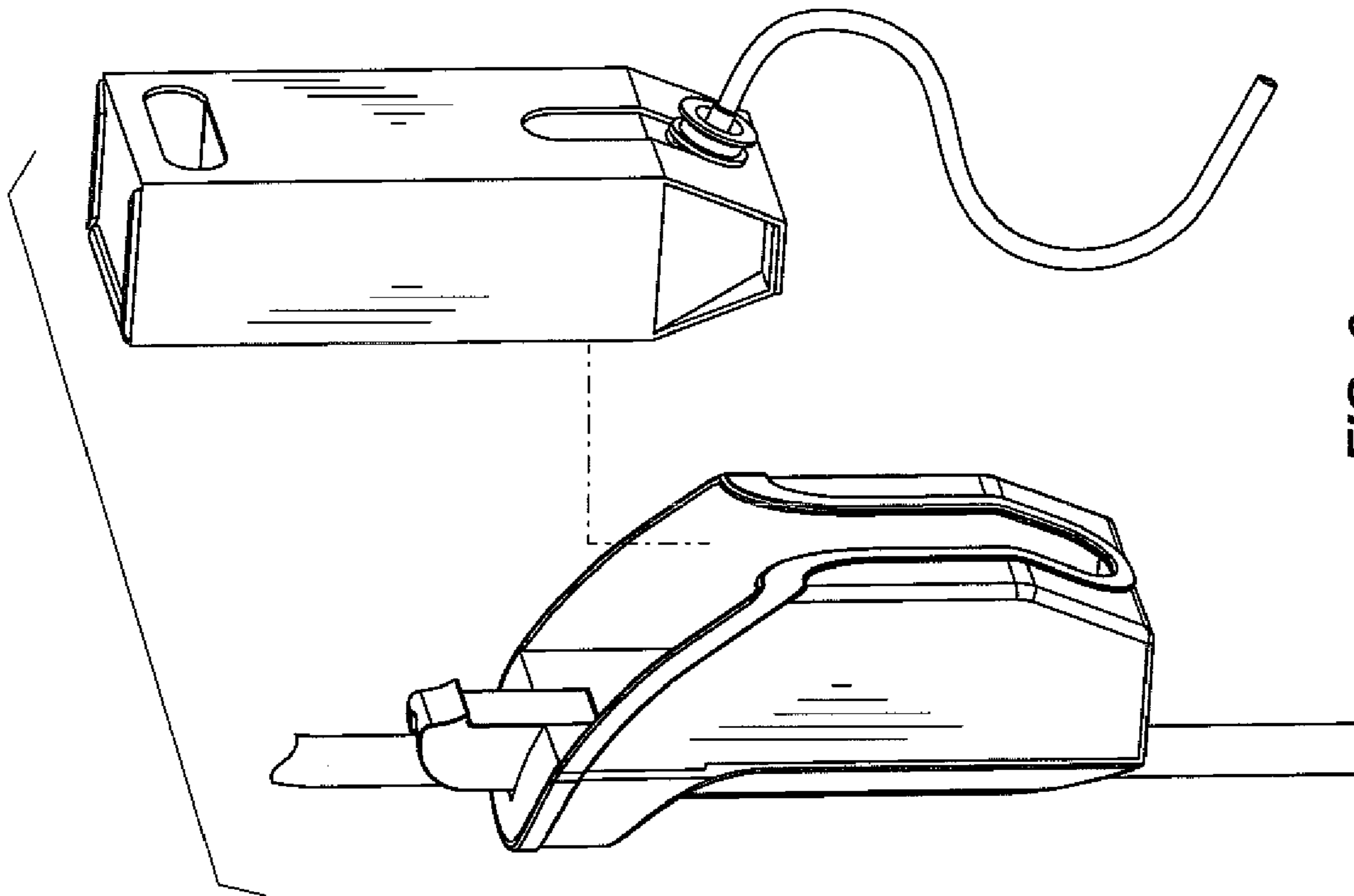


FIG. 9

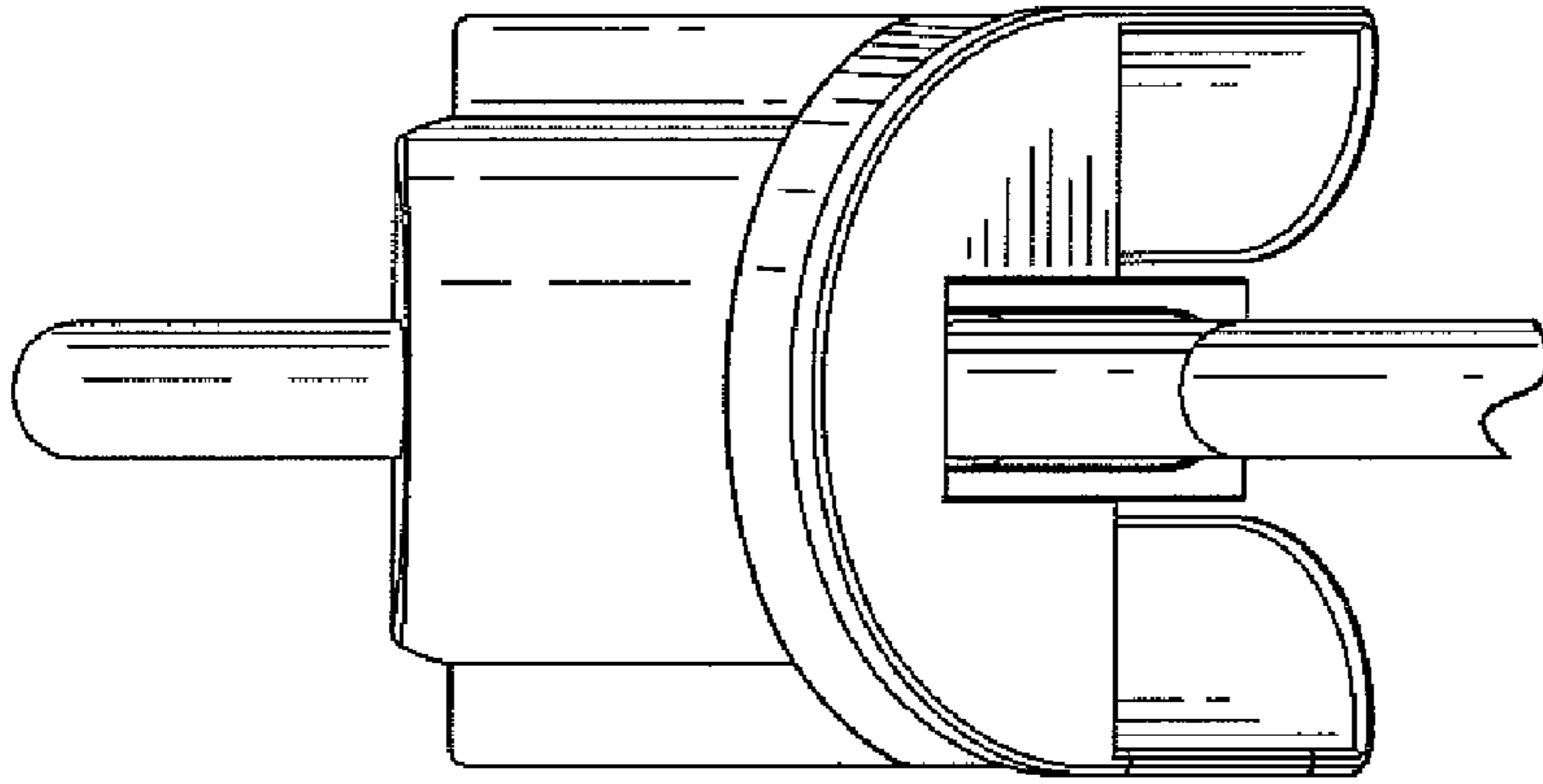


FIG. 13

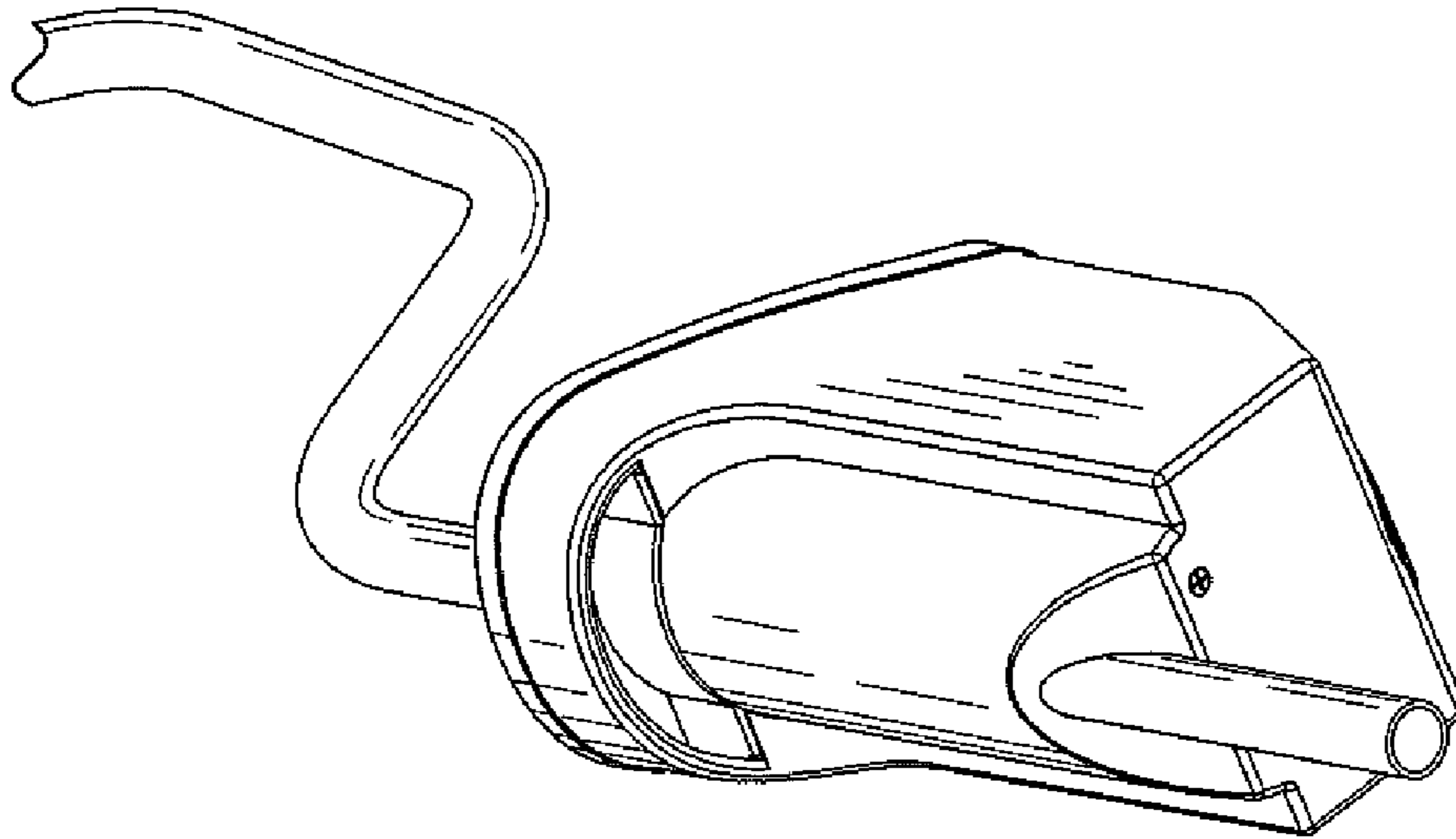


FIG. 12

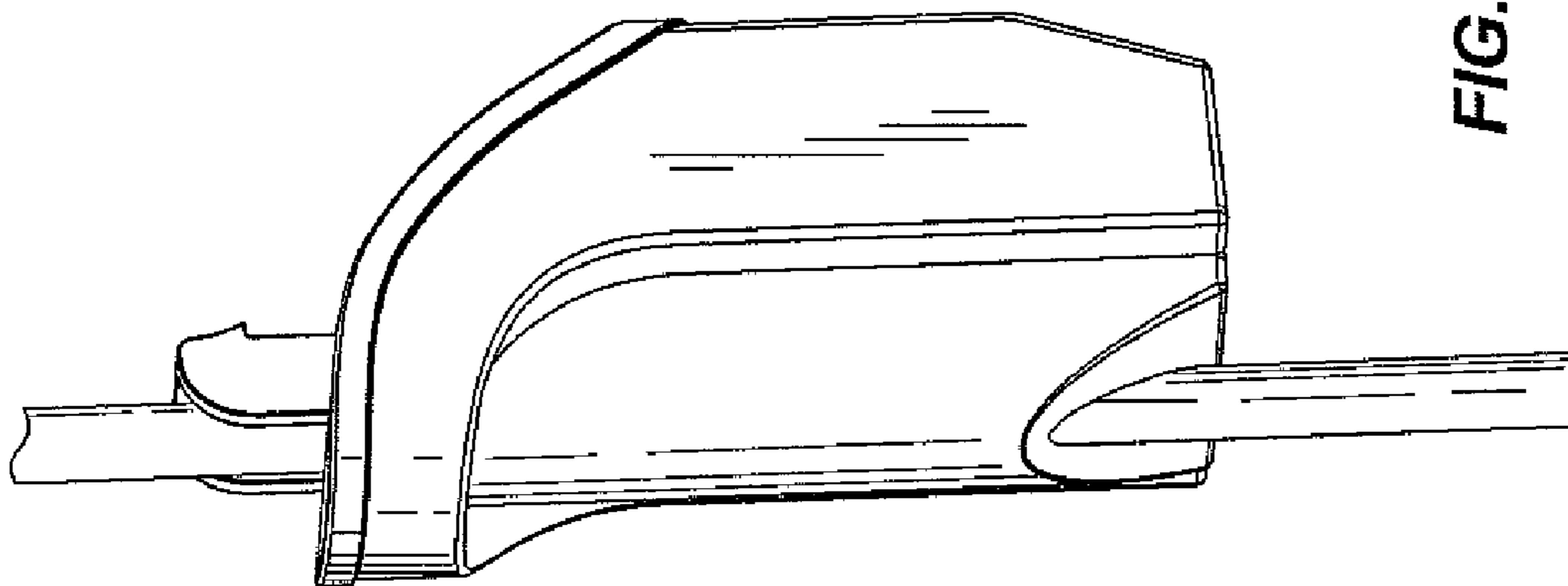


FIG. 11

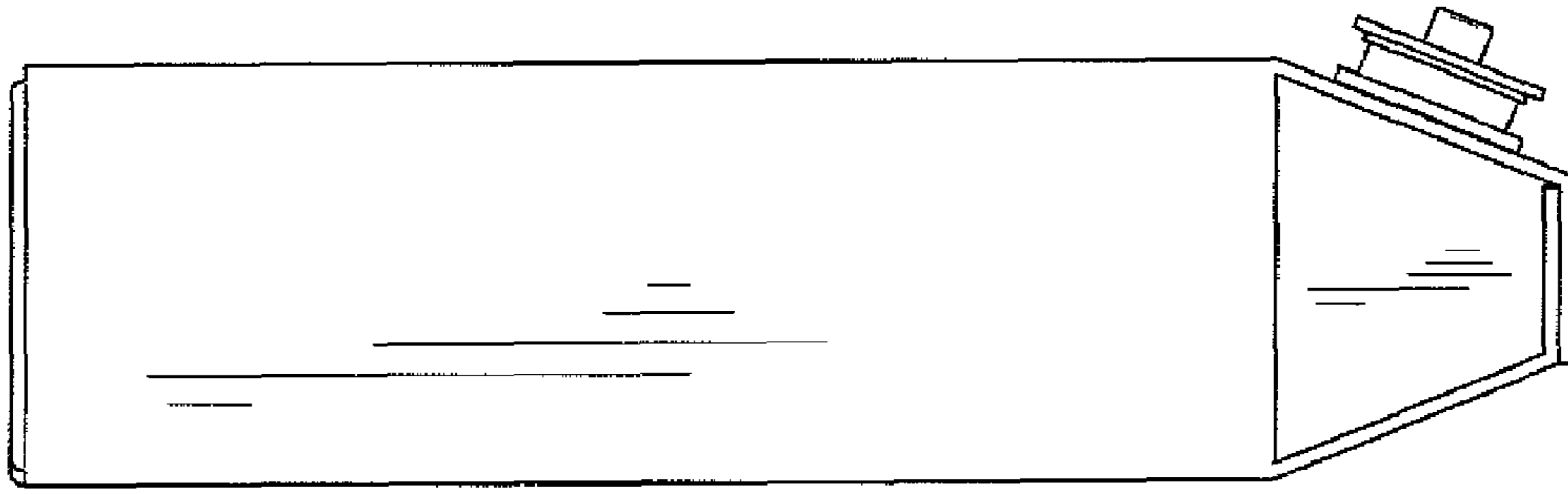


FIG. 16

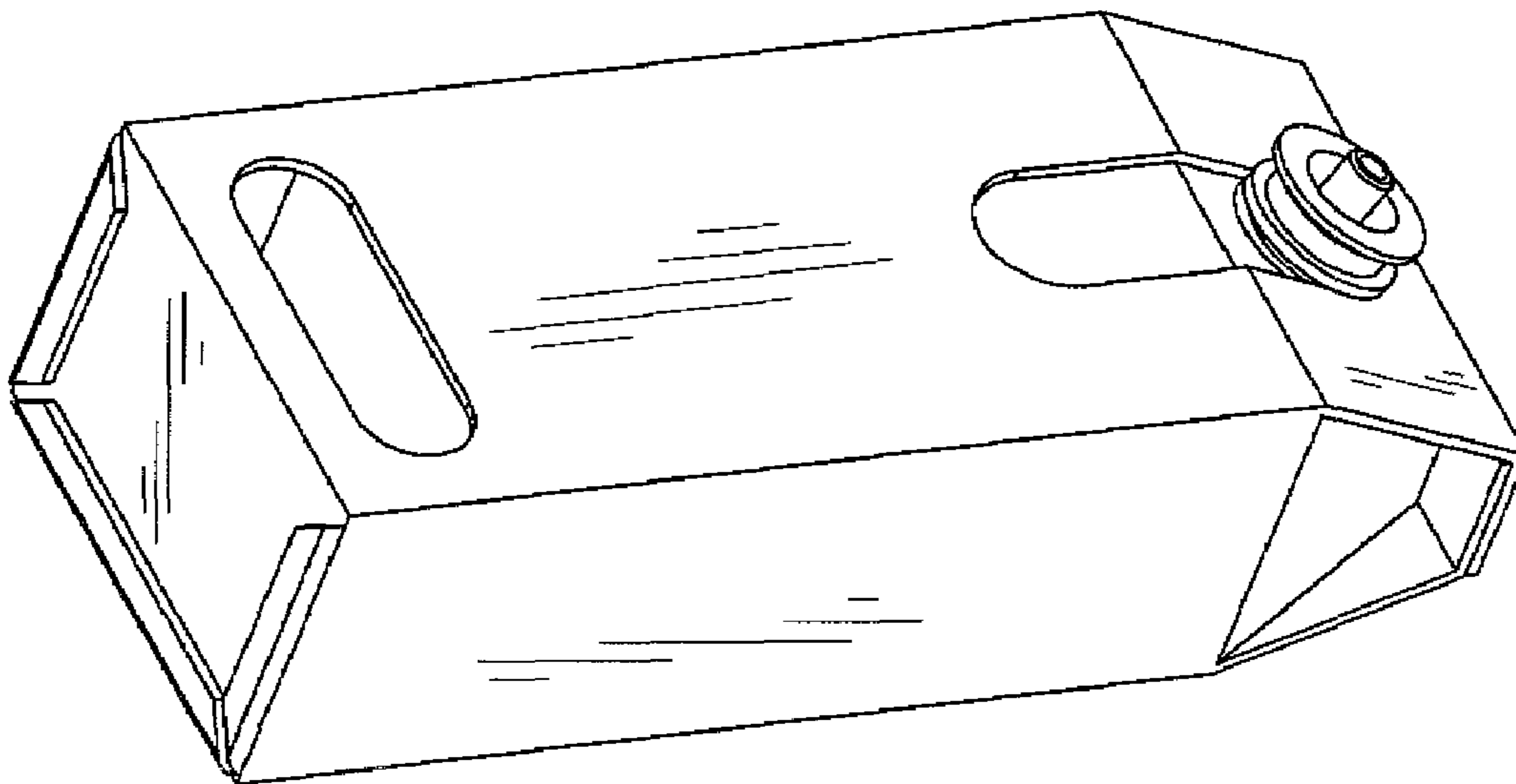


FIG. 15

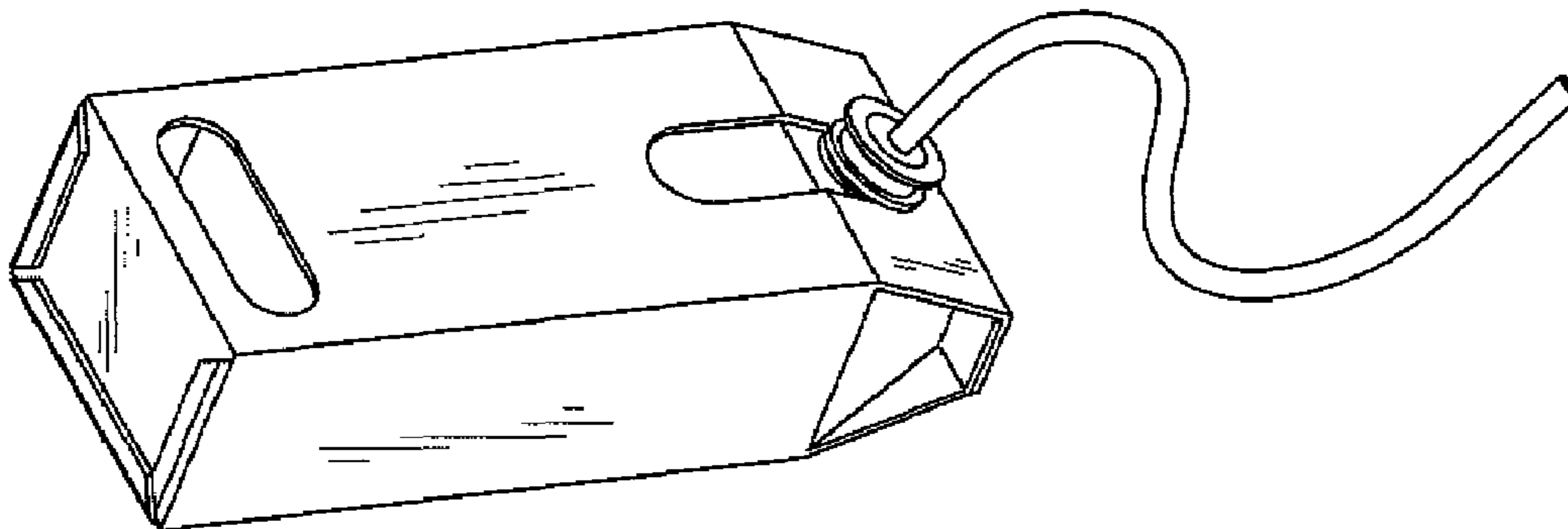


FIG. 14

UNITED STATES PATENT AND TRADEMARK OFFICE
CERTIFICATE OF CORRECTION

PATENT NO. : Des. 590,117 S
APPLICATION NO. : 29/279572
DATED : April 7, 2009
INVENTOR(S) : Charles A. Crawford et al.

Page 1 of 2

It is certified that error appears in the above-identified patent and that said Letters Patent is hereby corrected as shown below:

Title Page; item (56); Please insert;

The references that were initialed by the Examiner and attached to the Supplemental Notice of Allowability for a Design Application were not cited on the face of the patent. The documents cited were:

--2007/0044265 2003/0150478 6,866,165 6,023,924 4,704,758 3,123,851 1,656,334
D401,703 D207,252
2006/0280546 2003/0089383 6,786,431 5,988,912 4,651,898 3,108,312 1,609,906
D388,934 D200,193
2006/0269353 2003/0000036 6,695,516 5,935,659 4,566,149 3,099,028 1,554,875
D387,208 D198,074
2006/0233593 2002/0186996 6,692,174 5,933,912 4,558,823 3,074,100 1,468,431
D383,580 D196,708
2006/0222441 2002/0144369 6,684,459 5,920,944 4,498,214 3,054,132 1,080,669
D372,570 D190,626
2006/0213017 7,204,950 6,681,442 5,887,313 4,457,339 3,039,126 1,055,564
D359,605 D114,601
2006/0071021 7,178,196 6,663,307 5,791,006 4,272,051 2,832,978 1,033,222
D356,257
2006/0008317 7,172,658 6,655,866 5,784,755 4,250,586 2,768,401 995,125
D341,235
2005/0251943 7,160,044 6,648,218 5,779,155 4,218,900 2,753,579 908,915
D313,879
2005/0205604 7,121,521 6,551,001 5,771,535 4,177,969 2,736,915 680,193
D312,339
2005/0196225 7,063,474 6,549,744 5,769,385 4,167,349 2,653,335 564,707
D304,630
2005/0188486 7,051,399 6,487,747 5,600,866 4,146,944 2,647,273 403,218
D290,892

UNITED STATES PATENT AND TRADEMARK OFFICE
CERTIFICATE OF CORRECTION

PATENT NO. : Des. 590,117 S
APPLICATION NO. : 29/279572
DATED : April 7, 2009
INVENTOR(S) : Charles A. Crawford et al.

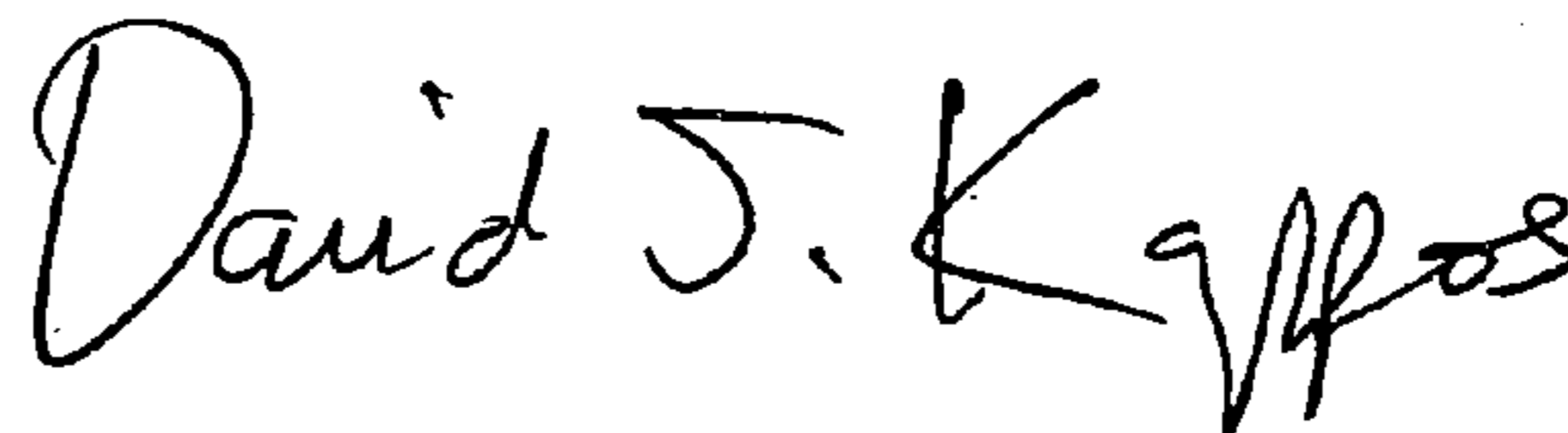
Page 2 of 2

It is certified that error appears in the above-identified patent and that said Letters Patent is hereby corrected as shown below:

2005/0095053	7,048,804	6,443,329	5,555,599	4,139,017	2,358,596	D541,996
	D274,855					
2005/0089360	7,048,458	6,421,862	5,500,977	4,119,386	2,307,858	D514,267
	D272,605					
2005/0063765	7,007,338	6,413,002	5,402,915	3,813,077	2,247,956	D507,088
	D262,936					
2005/0050689	7,004,658	6,397,427	5,398,567	3,806,261	2,243,067	D505,762
	D205,229					
2005/0034266	6,991,209	6,266,838	5,371,912	3,805,830	2,191,348	D497,699
	D207,947					
2004/0231700	6,986,619	6,247,202	5,311,638	3,756,471	2,187,671	D487,174
2004/0223803	6,964,535	6,217,244	5,279,180	3,690,779	2,137,944	D486,616
	BE 1009292					
2004/0141797	6,955,490	6,203,626	5,259,587	3,675,656	2,073,170	D485,954
	AU 2005201121					
2004/0134016	6,948,873	6,199,245	5,232,298	3,639,939	1,982,910	D485,175
	DE 10332403					
2004/0055099	6,893,180	6,170,112	5,144,713	3,618,596	1,774,409	D458,721
	EP 1397990					
2004/0047670	6,889,917	6,146,041	5,083,340	3,589,560	1,750,930	D458,427
	WO 99/11171					
2003/0200631	6,880,199	6,098,244	5,060,343	3,510,028	1,739,983	D428,226
	WO 92/06018					
2003/0159233	6,871,377	6,073,300	4,801,050	3,457,016	1,715,632	D411,673
	JP 5-137685--					

Signed and Sealed this

Eleventh Day of August, 2009



David J. Kappos
Director of the United States Patent and Trademark Office