



US00D590115S

(12) **United States Design Patent**
Zach et al.

(10) **Patent No.:** **US D590,115 S**

(45) **Date of Patent:** **** Apr. 7, 2009**

(54) **SUPPORT HEAD**

(75) Inventors: **Steven A. Zach**, Racine, WI (US); **Jose de Jesus Castillo Higareda**, Racine, WI (US); **Loretta G. Lynch**, Racine, WI (US); **Jacqueline V. Lepow**, Franklin, WI (US); **Douglas A. Soller**, Racine, WI (US)

(73) Assignee: **S. C. Johnson & Son, Inc.**, Racine, WI (US)

(**) Term: **14 Years**

(21) Appl. No.: **29/286,620**

(22) Filed: **May 14, 2007**

(51) **LOC (9) Cl.** **04-01**

(52) **U.S. Cl.** **D32/40; D32/50**

(58) **Field of Classification Search** **D32/40-46, D32/49, 50, 35; 15/121, 245, 143.1, 236.011**
See application file for complete search history.

(56) **References Cited**

U.S. PATENT DOCUMENTS

D306,506 S *	3/1990	Houser	D32/33
4,908,901 A *	3/1990	Torres	15/119.1
6,065,178 A *	5/2000	Hsieh	15/244.2
6,243,911 B1 *	6/2001	Varner	15/245
6,668,418 B2	12/2003	Bastien		
6,872,021 B1	3/2005	Wilson et al.		

D530,049 S * 10/2006 Berti D32/44
D545,517 S * 6/2007 Erken D32/42

* cited by examiner

Primary Examiner—Robin V Webster

(57) **CLAIM**

The ornamental design for a support head, as shown and described.

DESCRIPTION

In a preferred embodiment the nature of this product is as a holder unit, useful in connection with a cleaning device such as a hand-held window cleaning device having a squeegee blade, for delivering and collecting cleaning fluid.

FIG. 1 is a rear perspective view of a support head embodying our new design;

FIG. 2 is a left side elevational view thereof, the right side elevational view being a mirror image thereof;

FIG. 3 is a rear elevational view thereof;

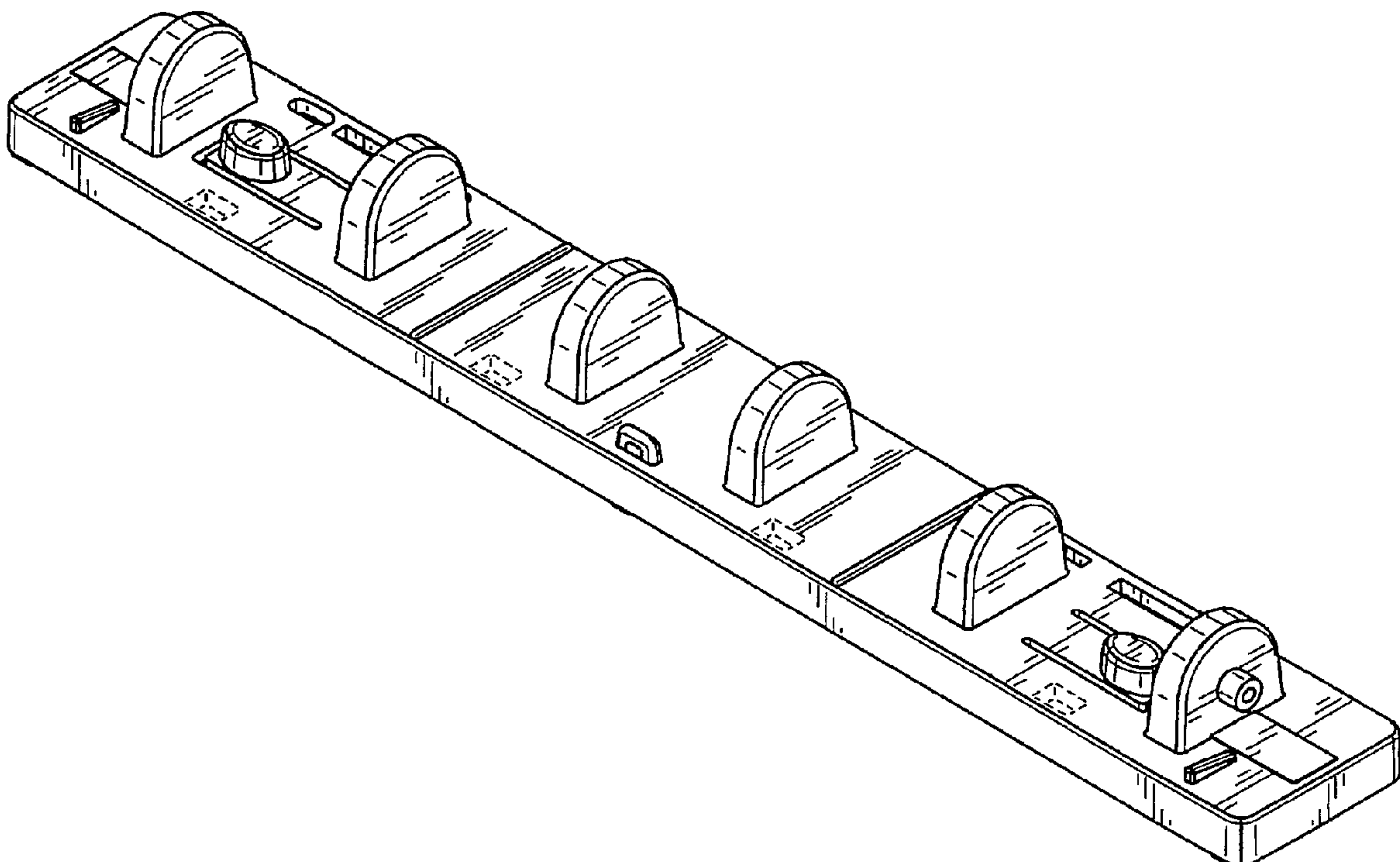
FIG. 4 is a top plan view thereof, the bottom plan view being essentially a mirror image thereof;

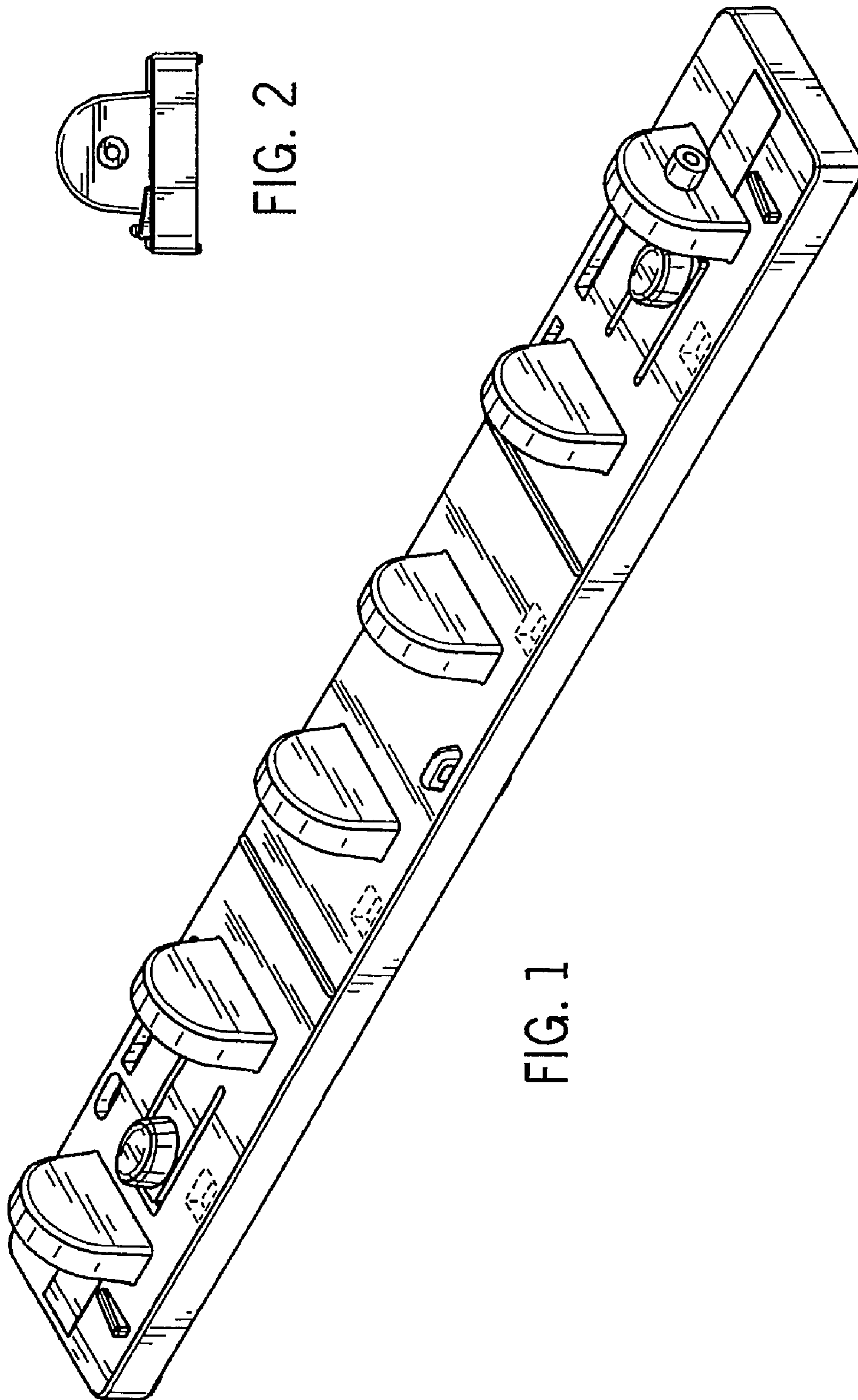
FIG. 5 is a front elevational view thereof; and,

FIG. 6 is a frontal perspective view thereof.

The broken line representations of various structures in FIGS. 1, 3, 5 and 6 are for purposes of illustration only and form no part of the claimed design.

1 Claim, 4 Drawing Sheets





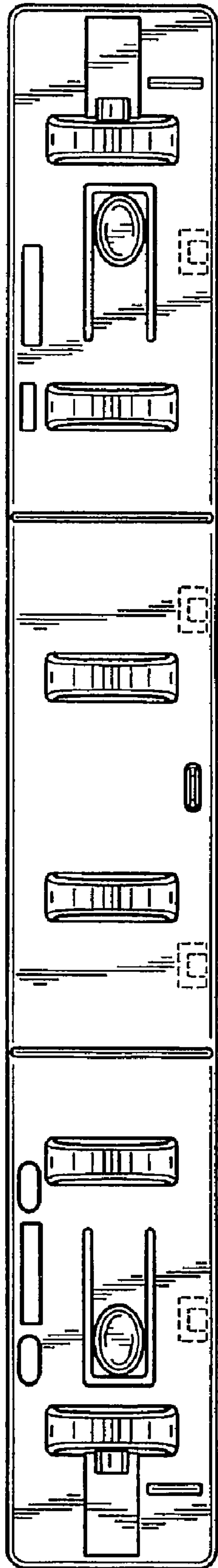


FIG. 3

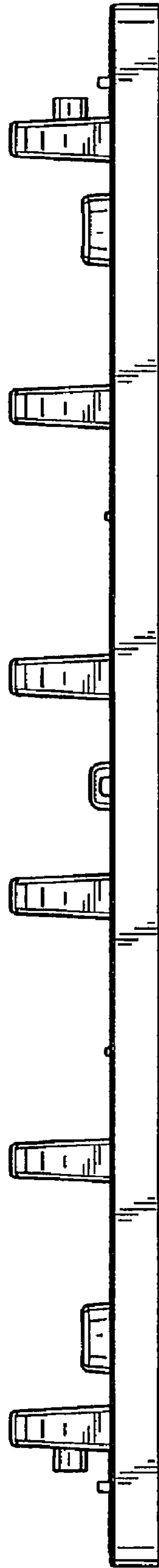


FIG. 4

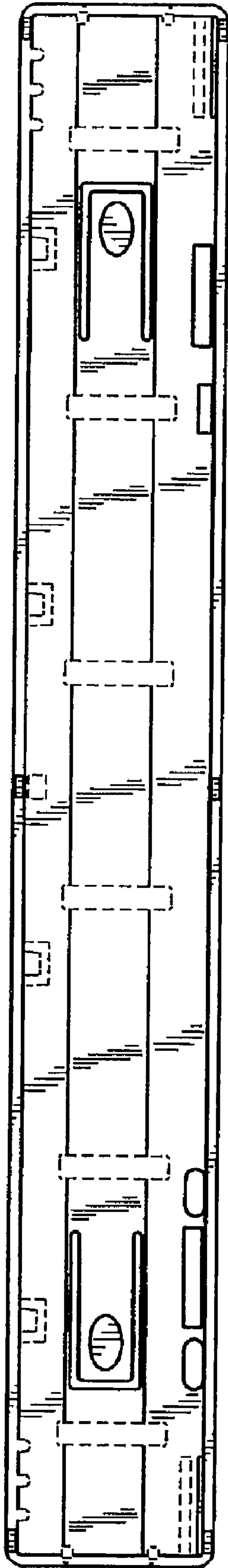


FIG. 5

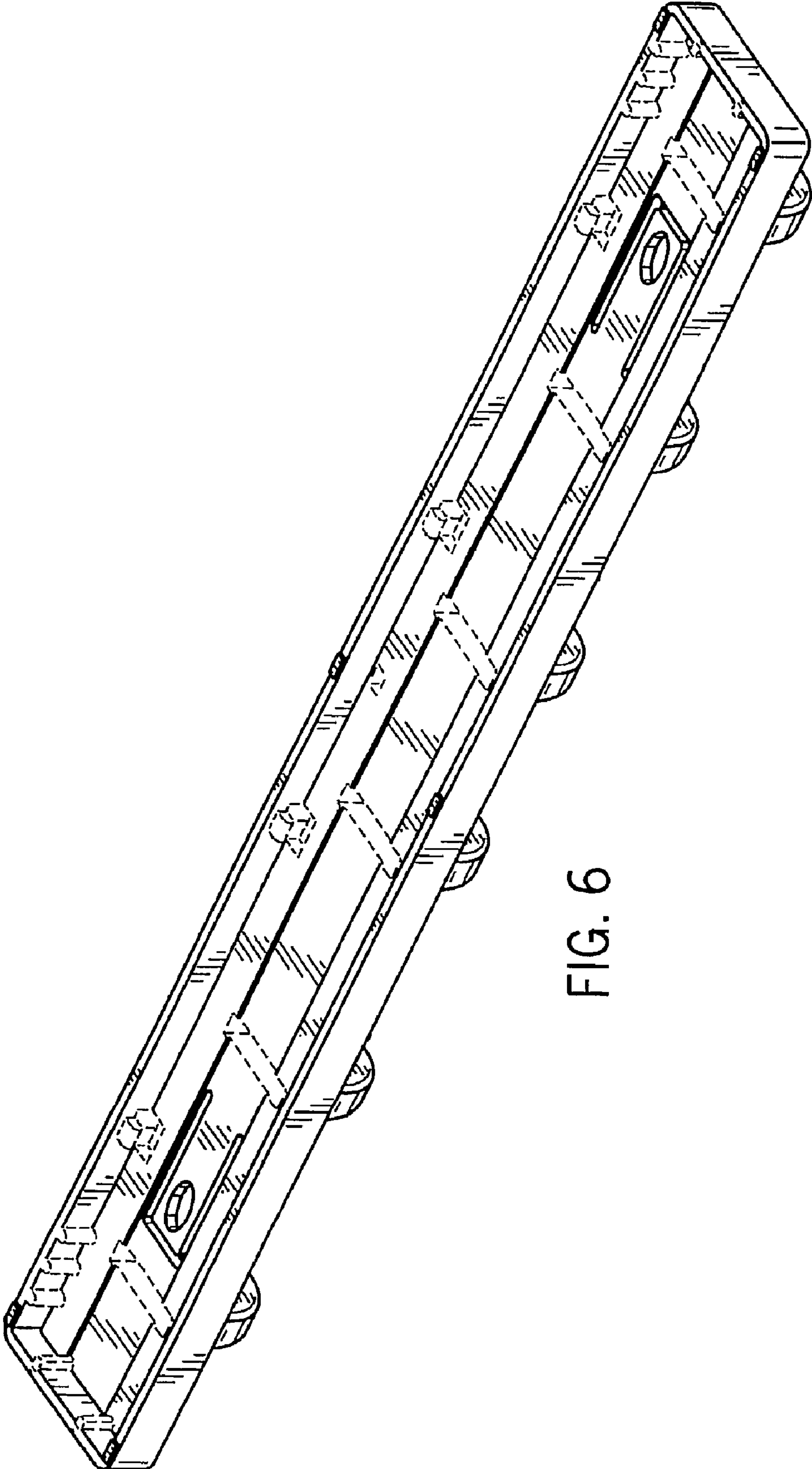


FIG. 6