



US00D590113S

(12) **United States Design Patent**  
**Benacquisto**

(10) **Patent No.:** **US D590,113 S**  
(45) **Date of Patent:** **\*\* Apr. 7, 2009**

(54) **QUICK DRY STAIN TOOL**

(75) Inventor: **Justin Benacquisto**, Grand Rapids, MI (US)

(73) Assignee: **Bissell Homecare, Inc.**, Grand Rapids, MI (US)

(\*\*) Term: **14 Years**

(21) Appl. No.: **29/305,097**

(22) Filed: **Mar. 13, 2008**

(51) **LOC (9) Cl.** ..... **15-05**

(52) **U.S. Cl.** ..... **D32/32**

(58) **Field of Classification Search** ..... D32/22,  
D32/32-33, 31, 21; 15/322, 400, 412, 415.1-416,  
15/417-422, 422.1, 329, 351, 361, 335, 414,  
15/387, 396-398, 410, 350, 344  
See application file for complete search history.

(56) **References Cited**

**U.S. PATENT DOCUMENTS**

5,351,362	A *	10/1994	Kramer et al.	.....	15/387
D419,733	S *	1/2000	Medema	.....	D32/32
D443,741	S *	6/2001	Parr et al.	.....	D32/32
D476,121	S *	6/2003	Hammond	.....	D32/32
6,711,777	B2 *	3/2004	Frederick et al.	.....	15/387

2006/0042041	A1 *	3/2006	Kim	.....	15/387
2006/0248680	A1 *	11/2006	Heidenga et al.	.....	15/387
2007/0204427	A1 *	9/2007	Cho et al.	.....	15/387
2007/0256273	A1 *	11/2007	Coleman	.....	15/387

\* cited by examiner

*Primary Examiner*—Ruth McInroy

(74) *Attorney, Agent, or Firm*—McGarry Bair PC

(57) **CLAIM**

The ornamental design for a quick dry stain tool, as shown and described.

**DESCRIPTION**

FIG. 1 is a front perspective view of a quick dry stain tool which embodies our design;

FIG. 2 is a front view thereof;

FIG. 3 is a rear view thereof;

FIG. 4 is a left side view thereof;

FIG. 5 is a right side view thereof;

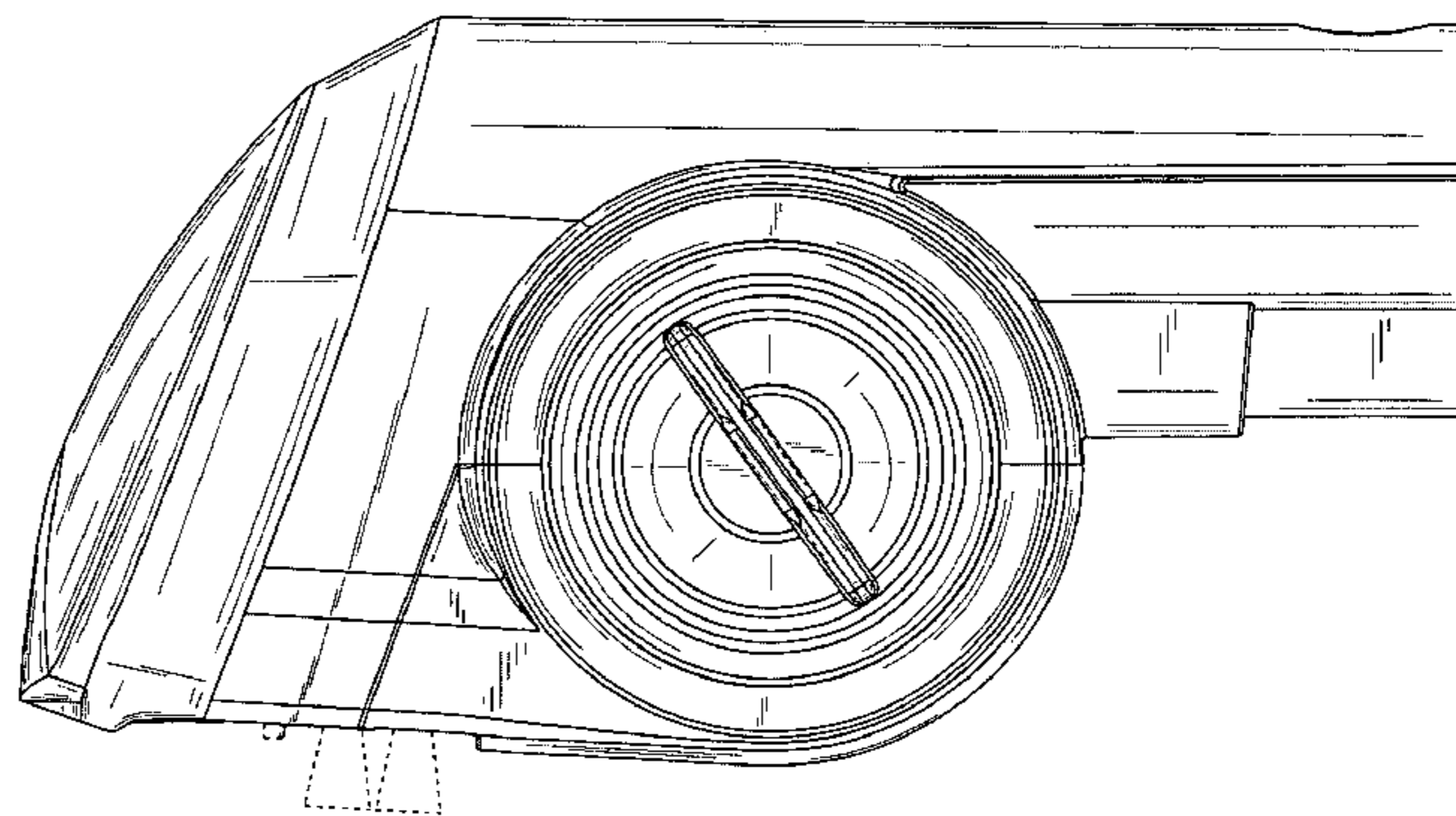
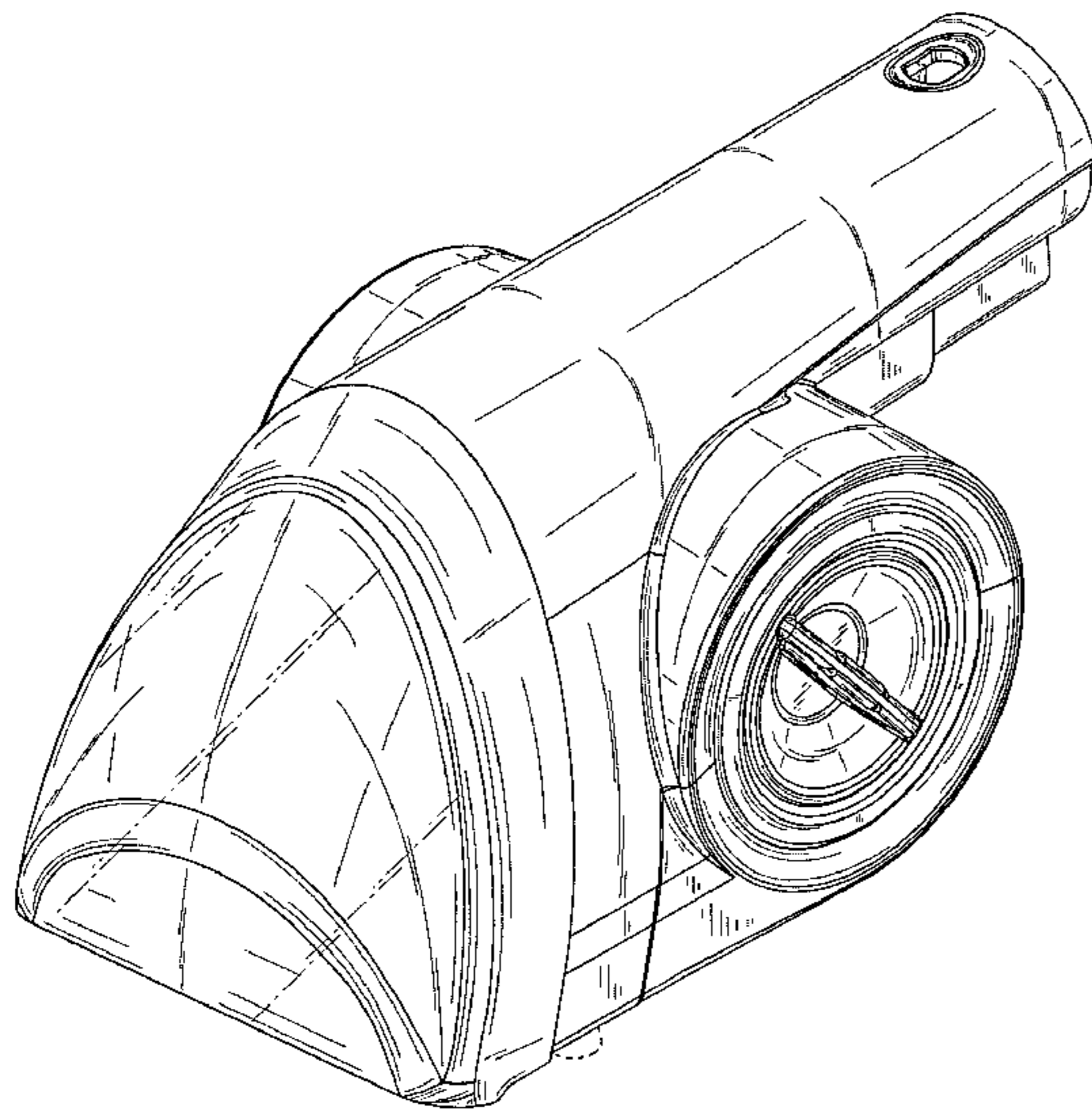
FIG. 6 is a top view thereof;

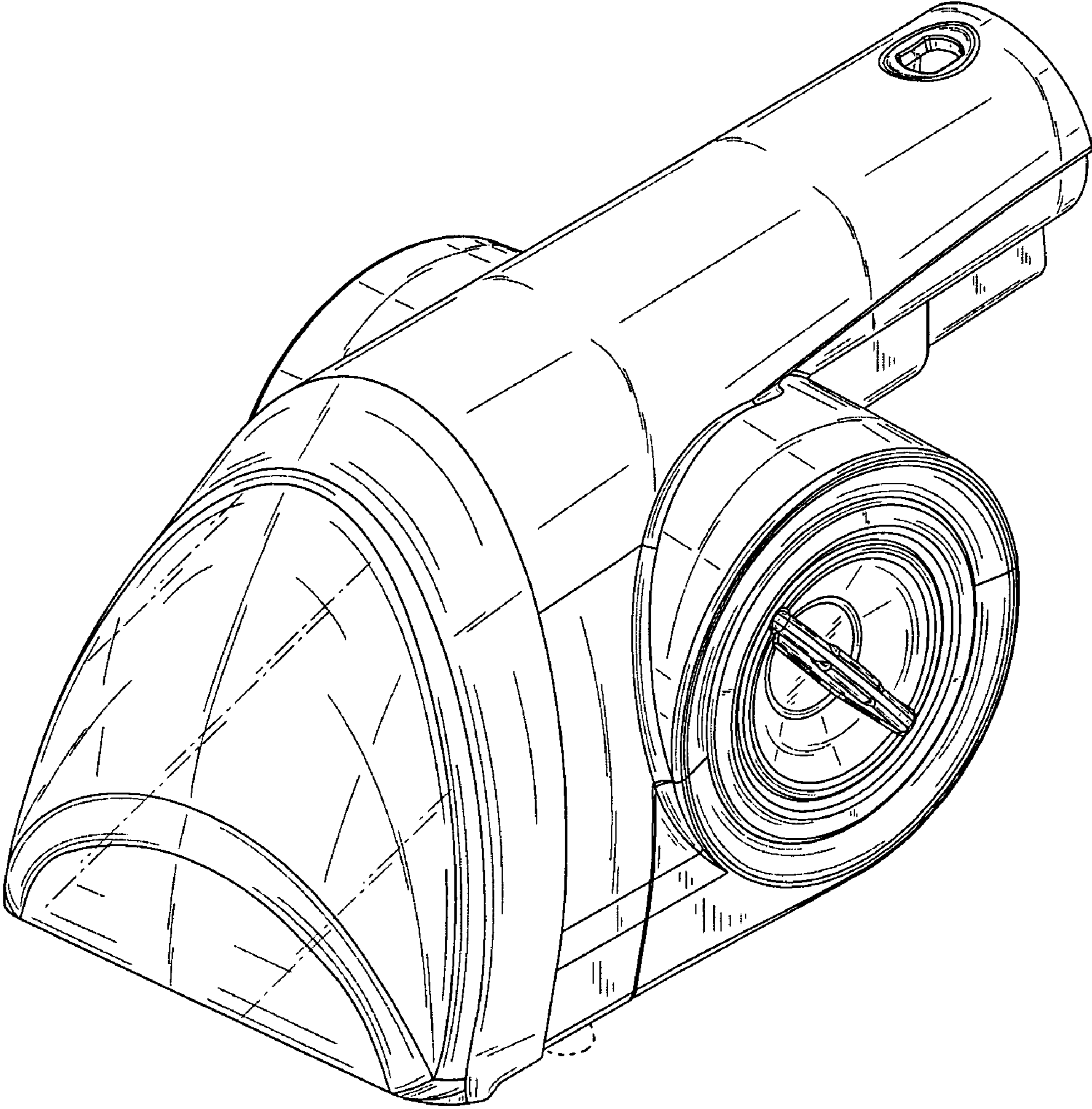
FIG. 7 is a bottom view thereof; and,

FIG. 8 is a rear perspective view thereof.

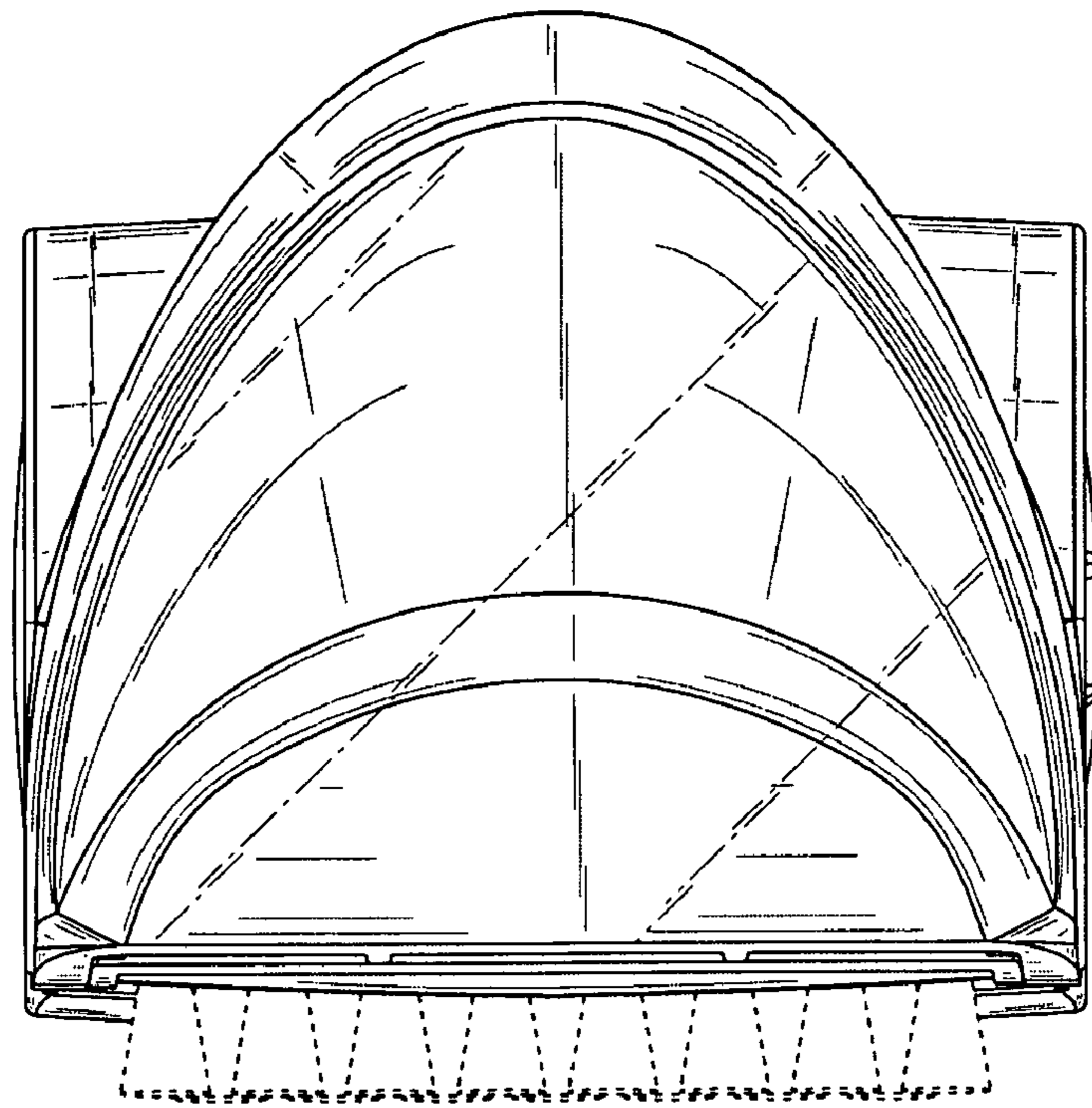
The material in dotted lines forms no part of our design.

**1 Claim, 5 Drawing Sheets**

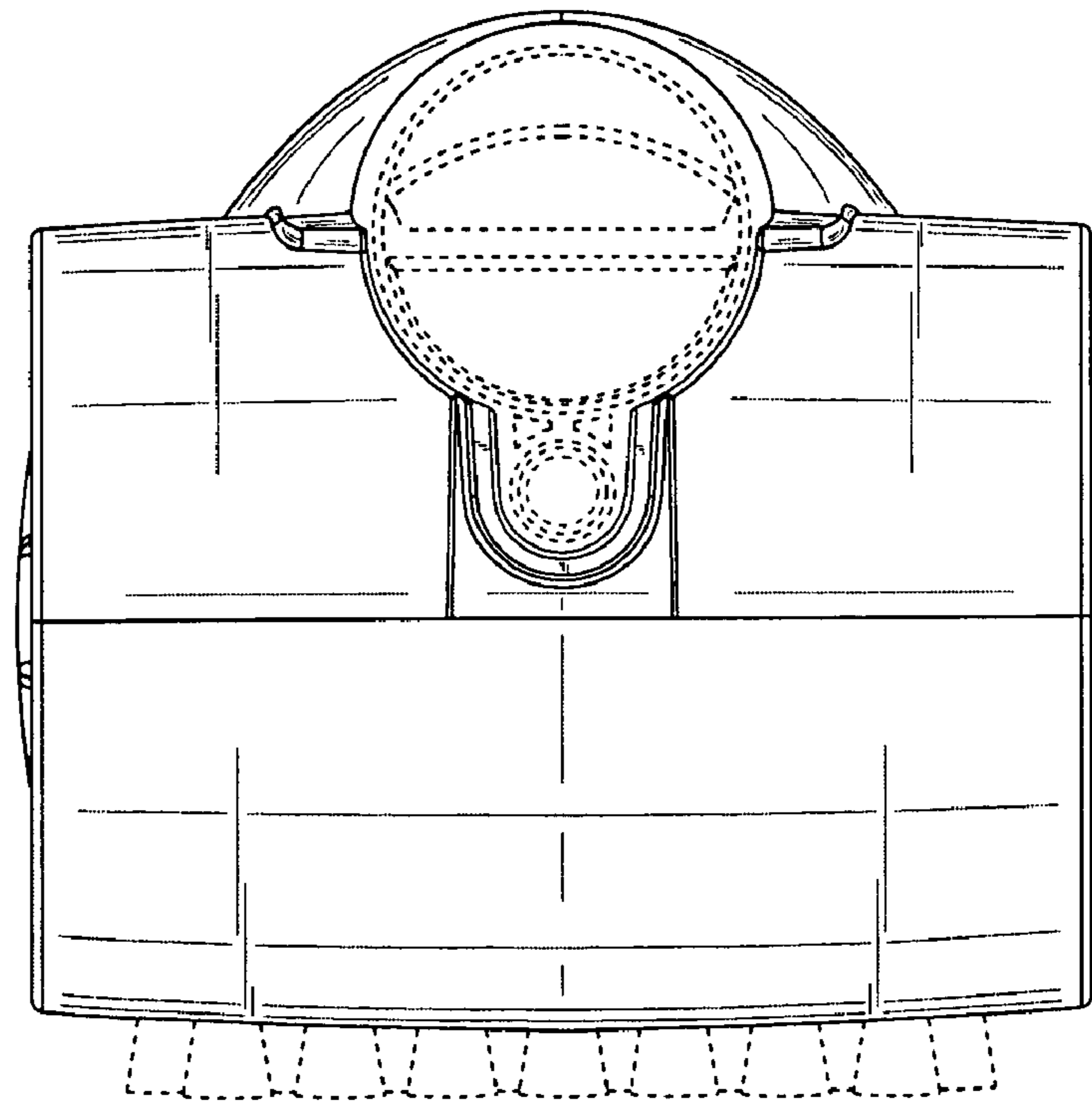




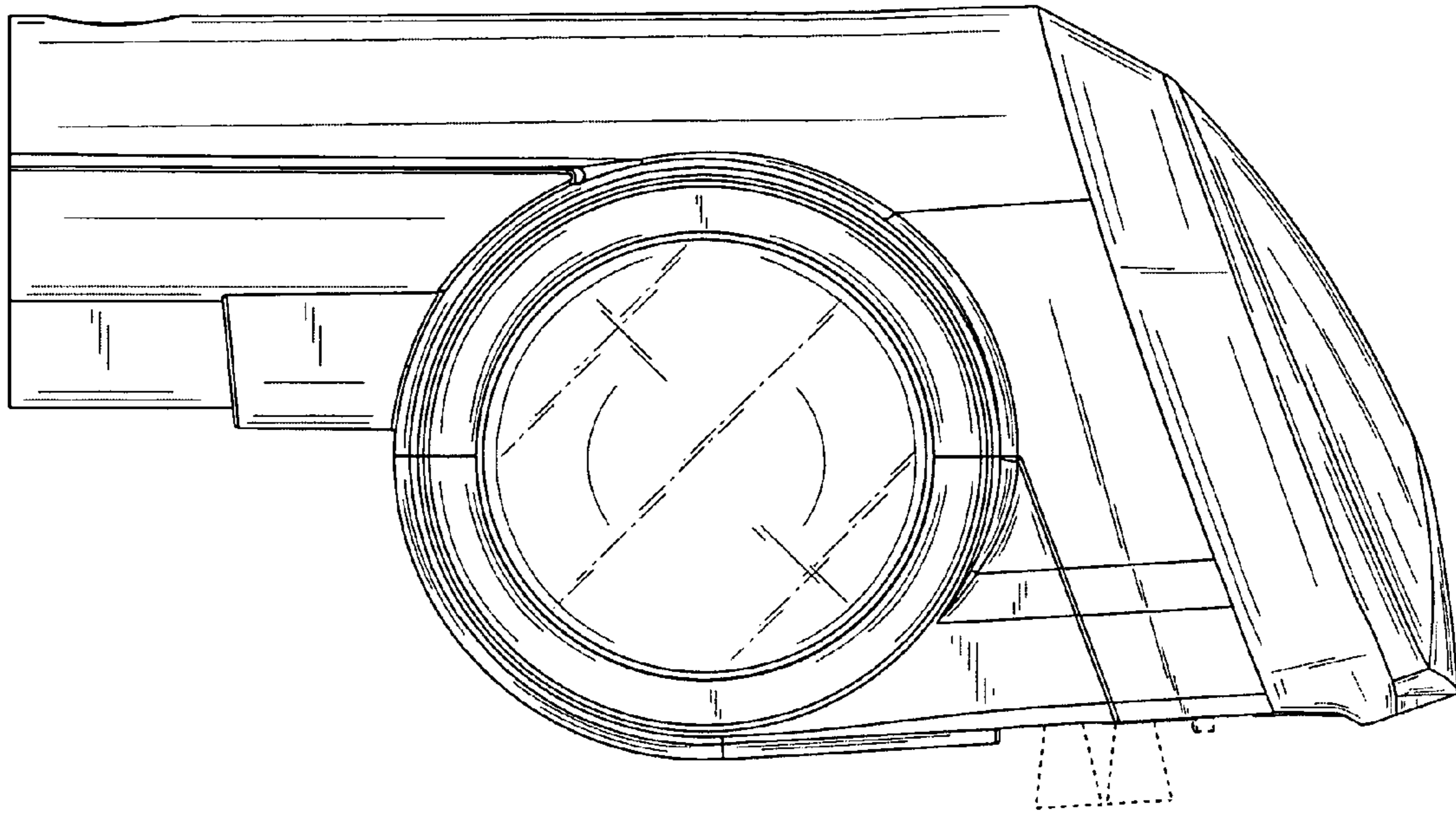
**Fig. 1**



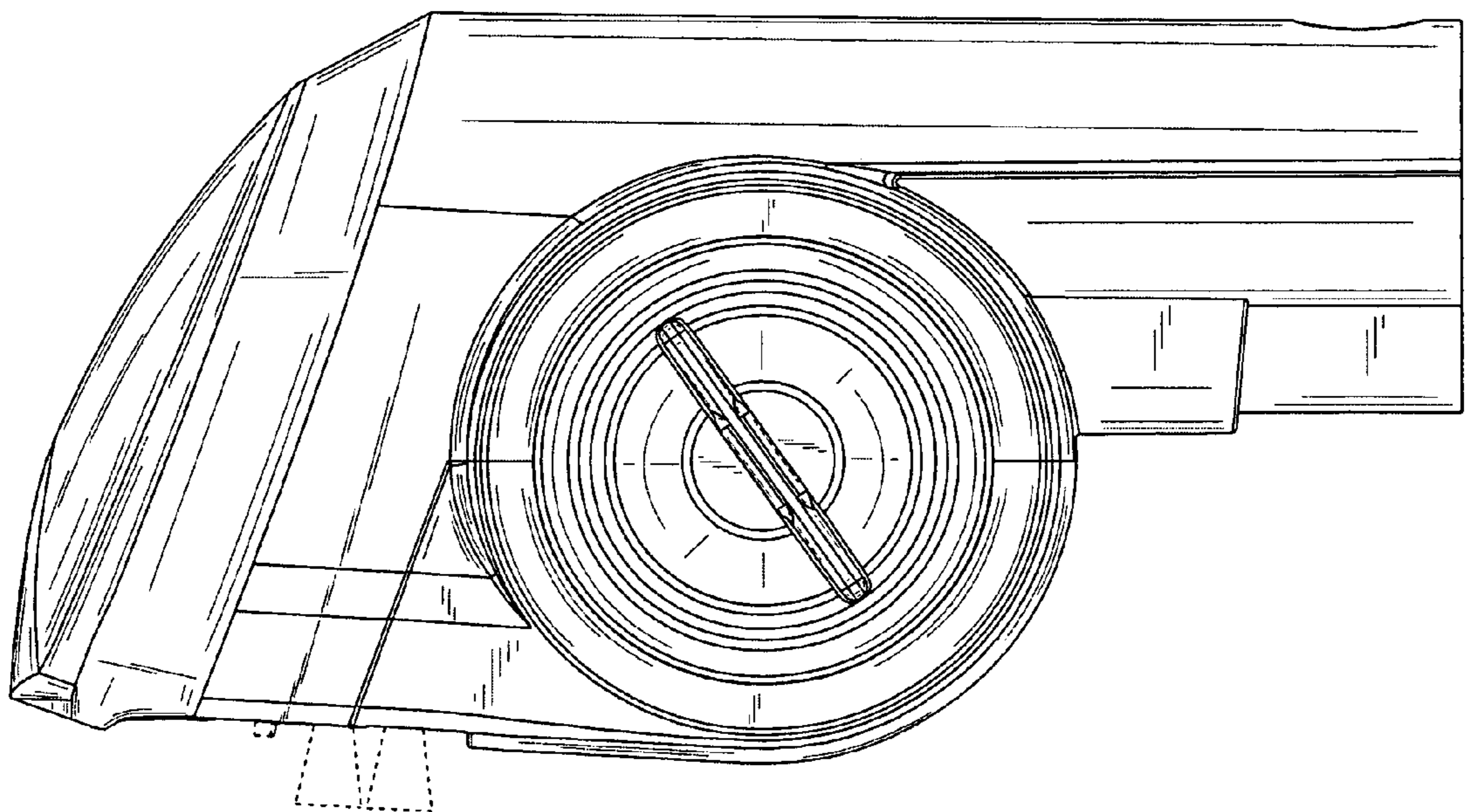
**Fig. 2**



**Fig. 3**



**Fig. 4**



**Fig. 5**

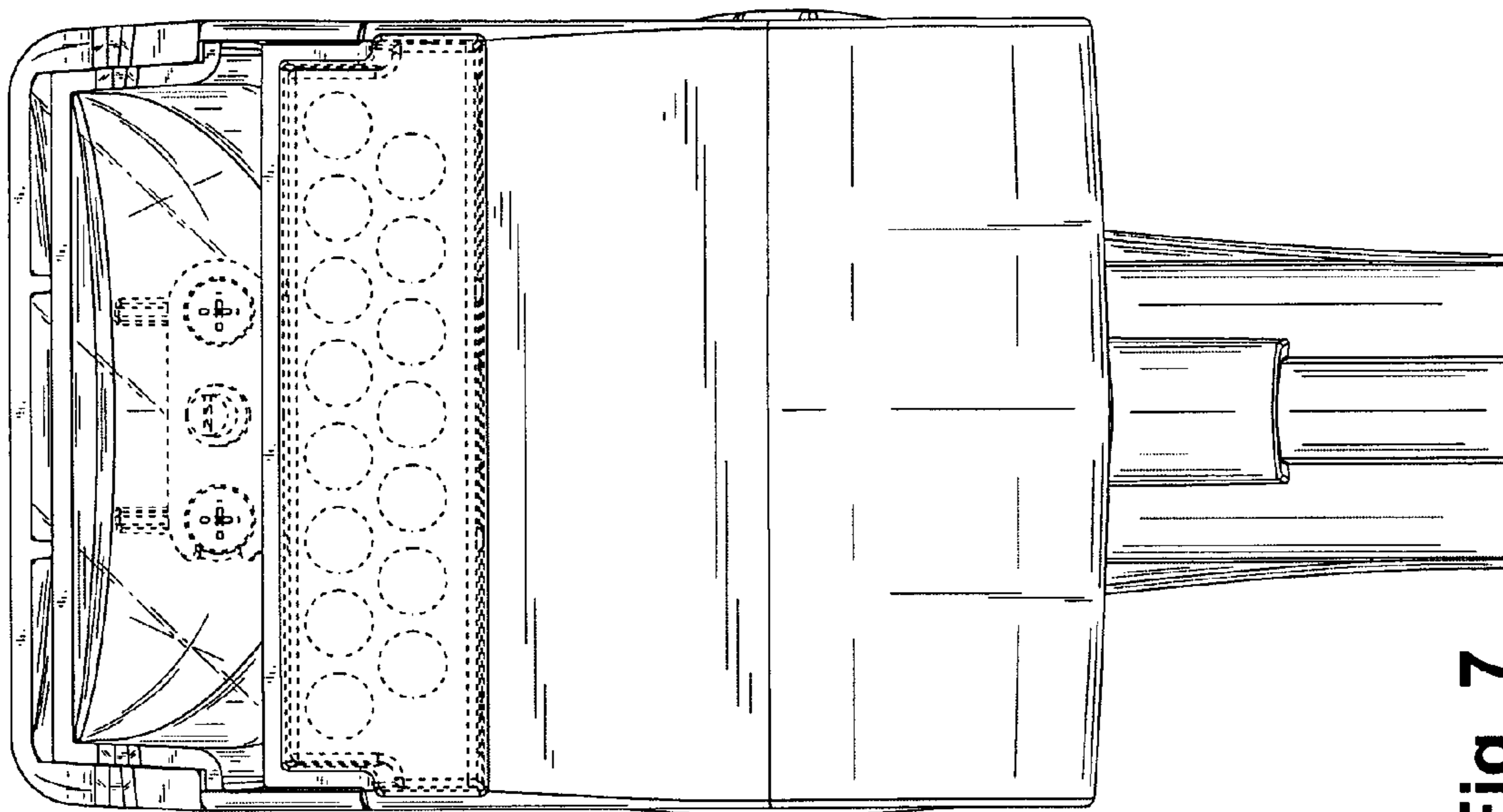


Fig. 7

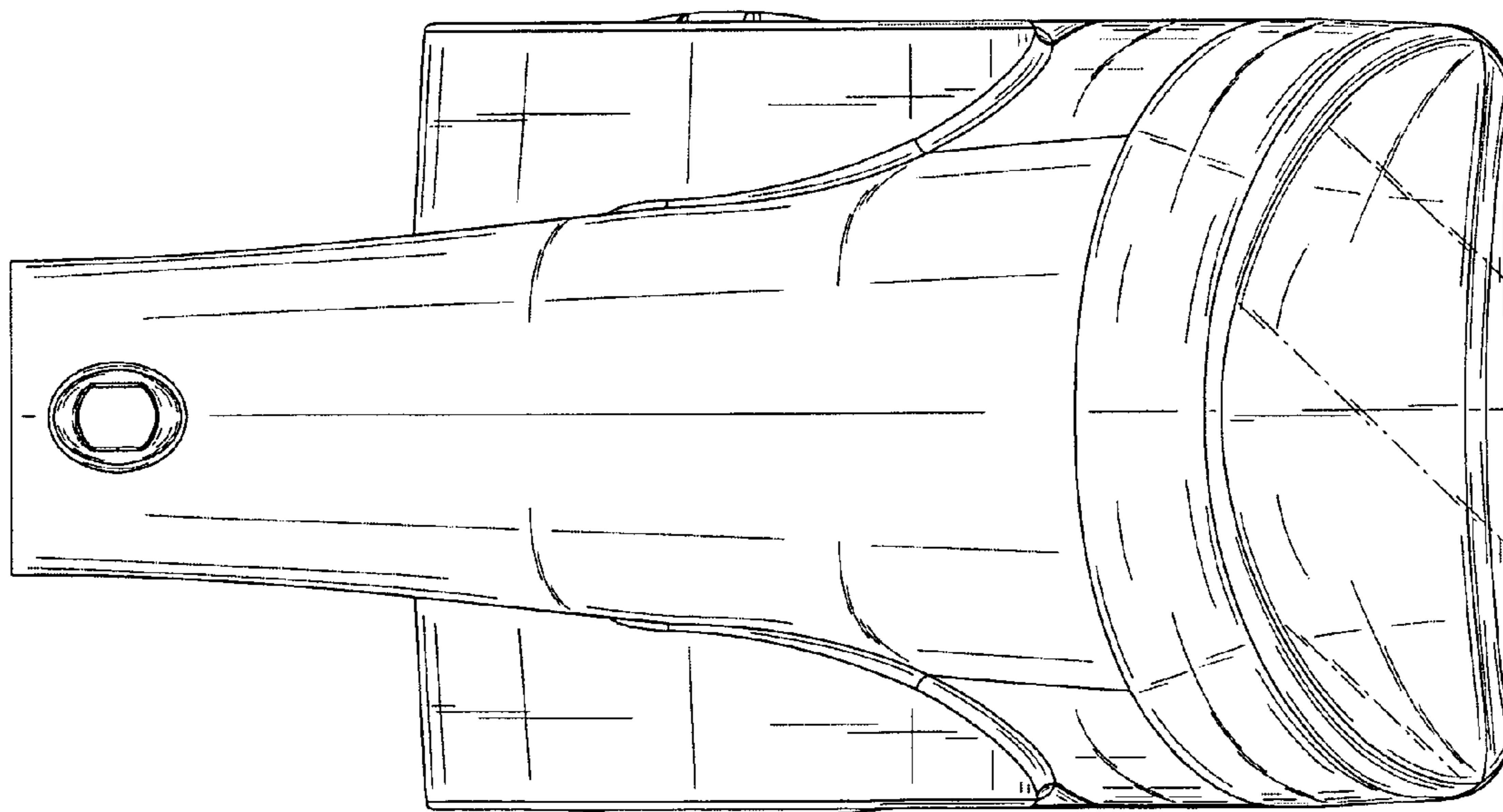
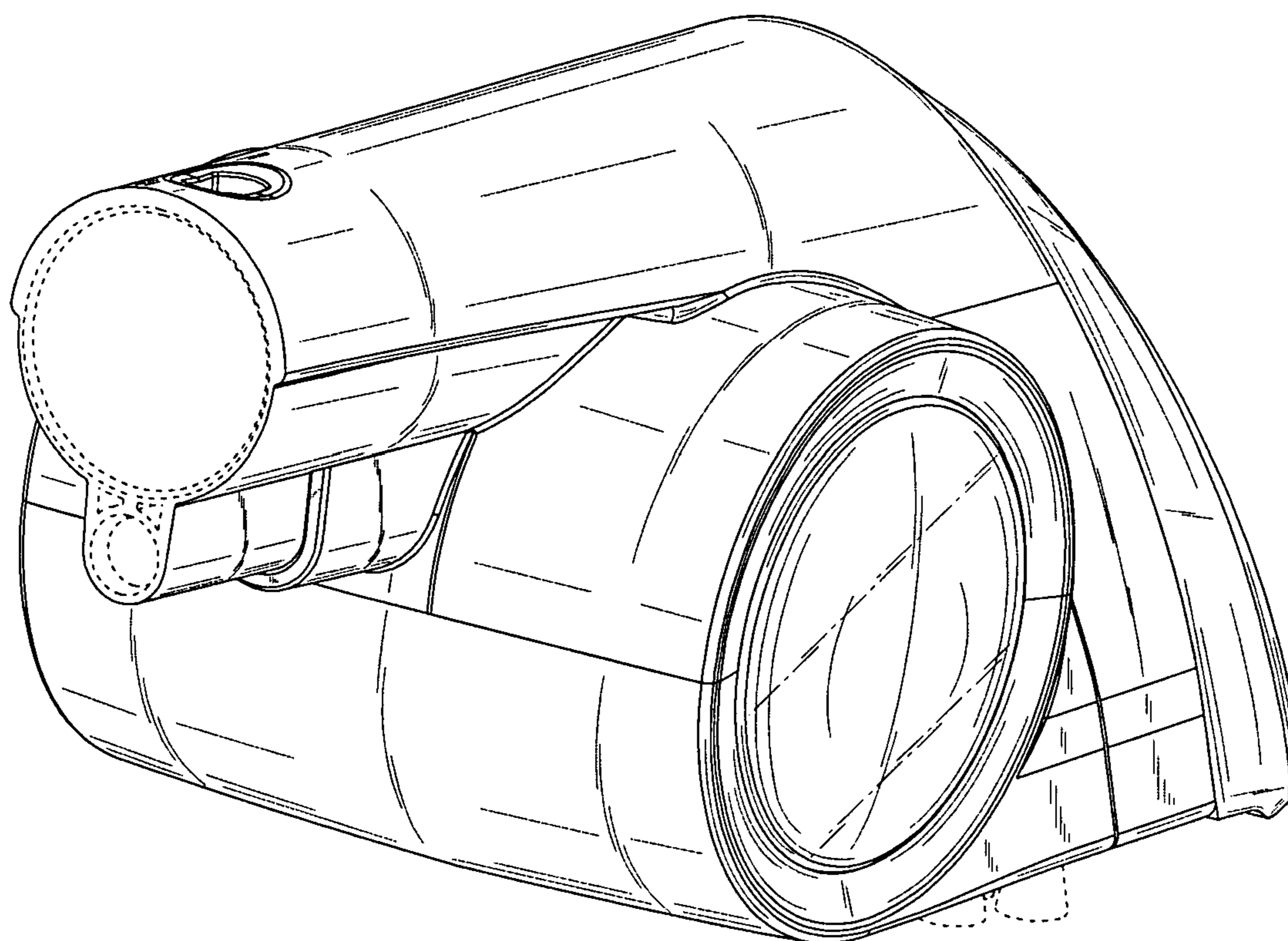


Fig. 6



**Fig. 8**