



US00D590111S

(12) **United States Design Patent**
Wiljanen et al.

(10) **Patent No.:** **US D590,111 S**

(45) **Date of Patent:** **** Apr. 7, 2009**

(54) **HAND TOOL FOR CLEANING APPARATUS**

(75) Inventors: **Kenneth J. Wiljanen**, Seattle, WA (US);
Michael A. Stoy, Bothell, WA (US);
Steve Brandt, Mill Creek, WA (US)

(73) Assignee: **Hydramaster North America, Inc.**,
Plymouth, MN (US)

(**) Term: **14 Years**

(21) Appl. No.: **29/271,439**

(22) Filed: **Jan. 18, 2007**

(51) **LOC (9) Cl.** **15-05**

(52) **U.S. Cl.** **D32/32**

(58) **Field of Classification Search** D32/22,
D32/32-33, 31, 21; 15/322, 400, 412, 415.1-416,
15/417-422, 422.1, 329, 351, 361, 335, 414,
15/387, 398, 396-397, 350, 410, 344
See application file for complete search history.

(56) **References Cited**

U.S. PATENT DOCUMENTS

D239,243 S * 3/1976 Hachtmann D32/32
D266,962 S * 11/1982 Hachtmann et al. D32/33
D296,372 S * 6/1988 Toney et al. D32/32

D359,148 S * 6/1995 Henrie D32/33
D400,325 S * 10/1998 Broecking D32/33
D506,046 S * 6/2005 Schroter D32/32
D538,986 S * 3/2007 Ingram D32/32
D540,994 S * 4/2007 Borges D32/33

* cited by examiner

Primary Examiner—Ruth McInroy

(74) *Attorney, Agent, or Firm*—Oppenheimer Wolff &
Donnelly LLP

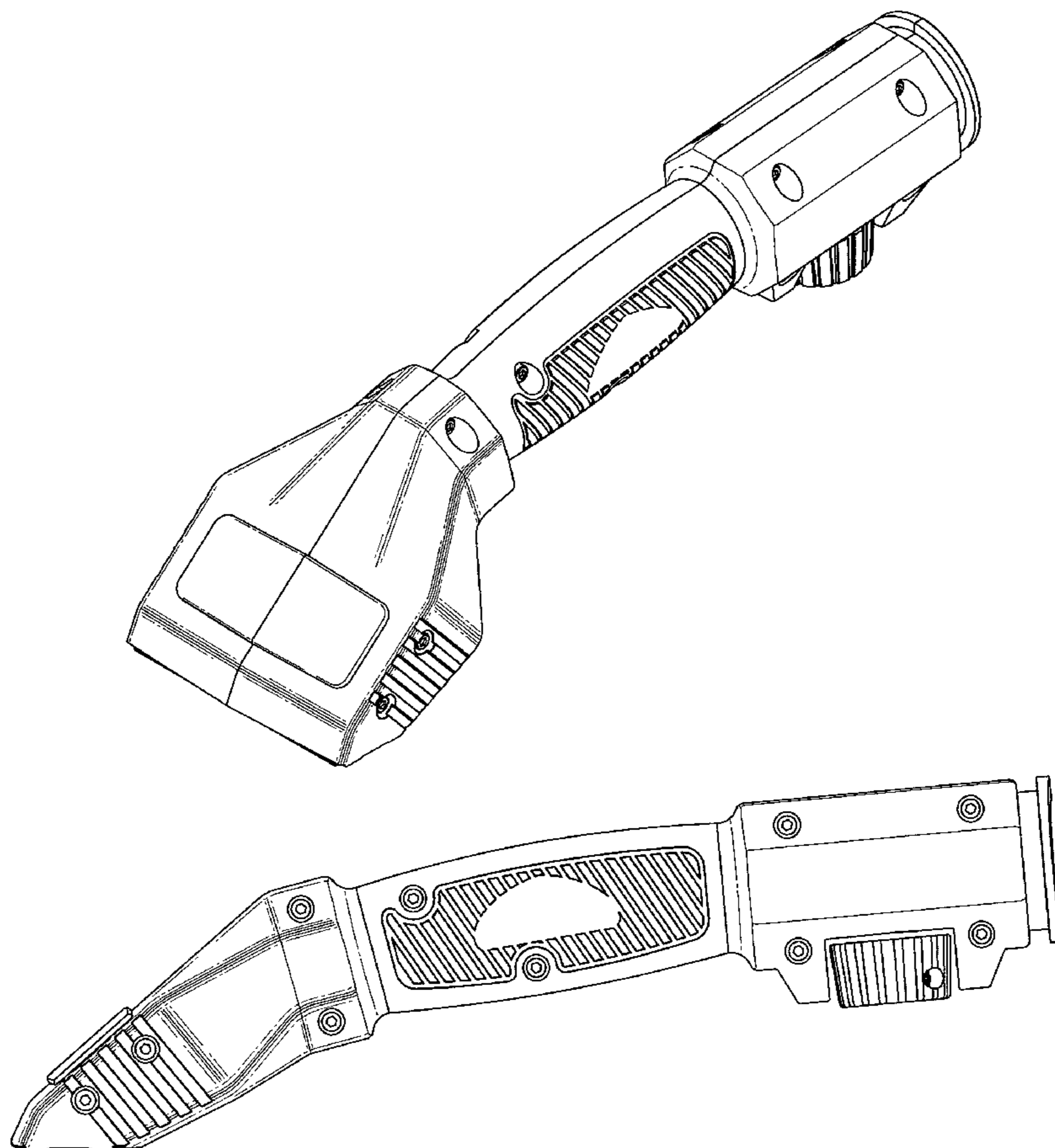
(57) **CLAIM**

We claim the ornamental design for a hand tool for cleaning apparatus, as shown and described.

DESCRIPTION

FIG. 1 is a perspective view of a hand tool for cleaning apparatus showing our new design;
FIG. 2 is a right side elevational view thereof;
FIG. 3 is a left side elevational view thereof;
FIG. 4 is a front plan view thereof;
FIG. 5 is a rear plan view thereof;
FIG. 6 is a top plan view thereof; and,
FIG. 7 is a bottom plan view thereof.

1 Claim, 5 Drawing Sheets



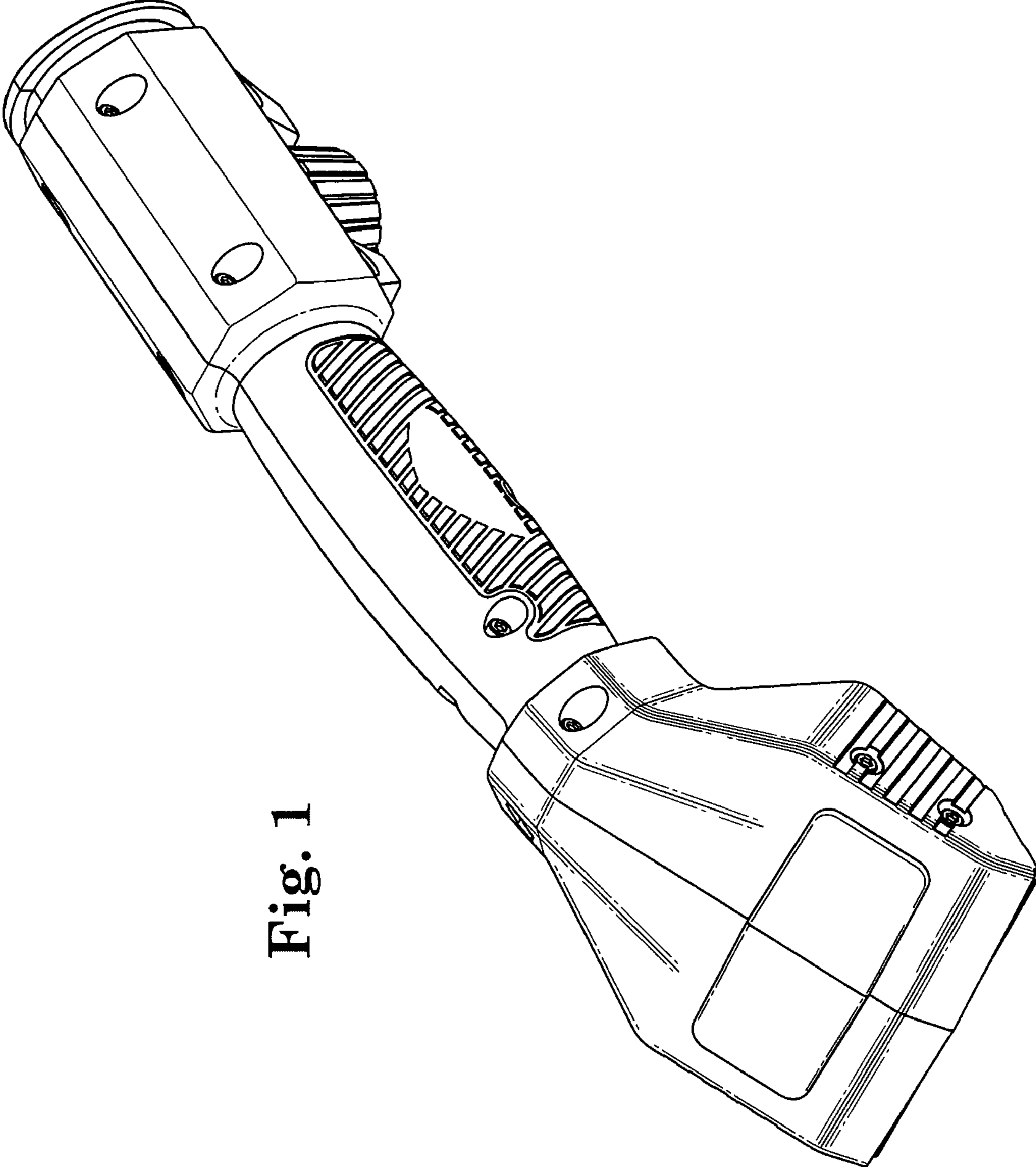


Fig. 1

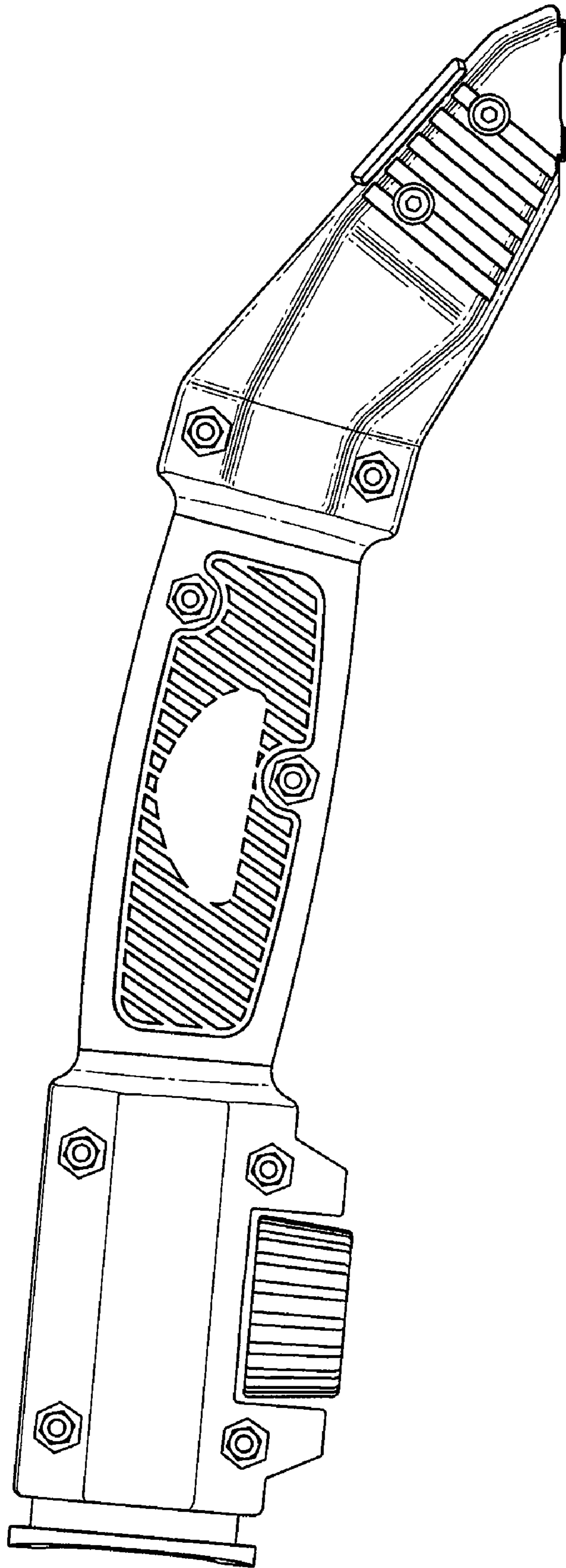


Fig. 2

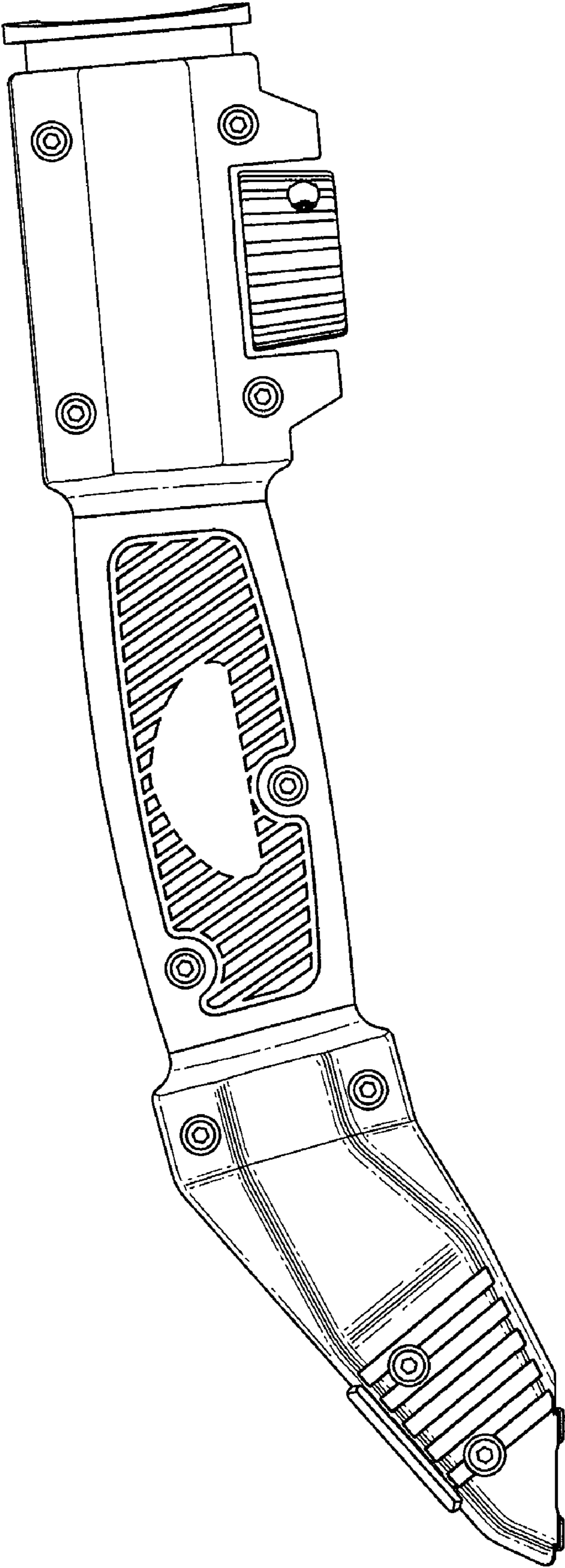


Fig. 3

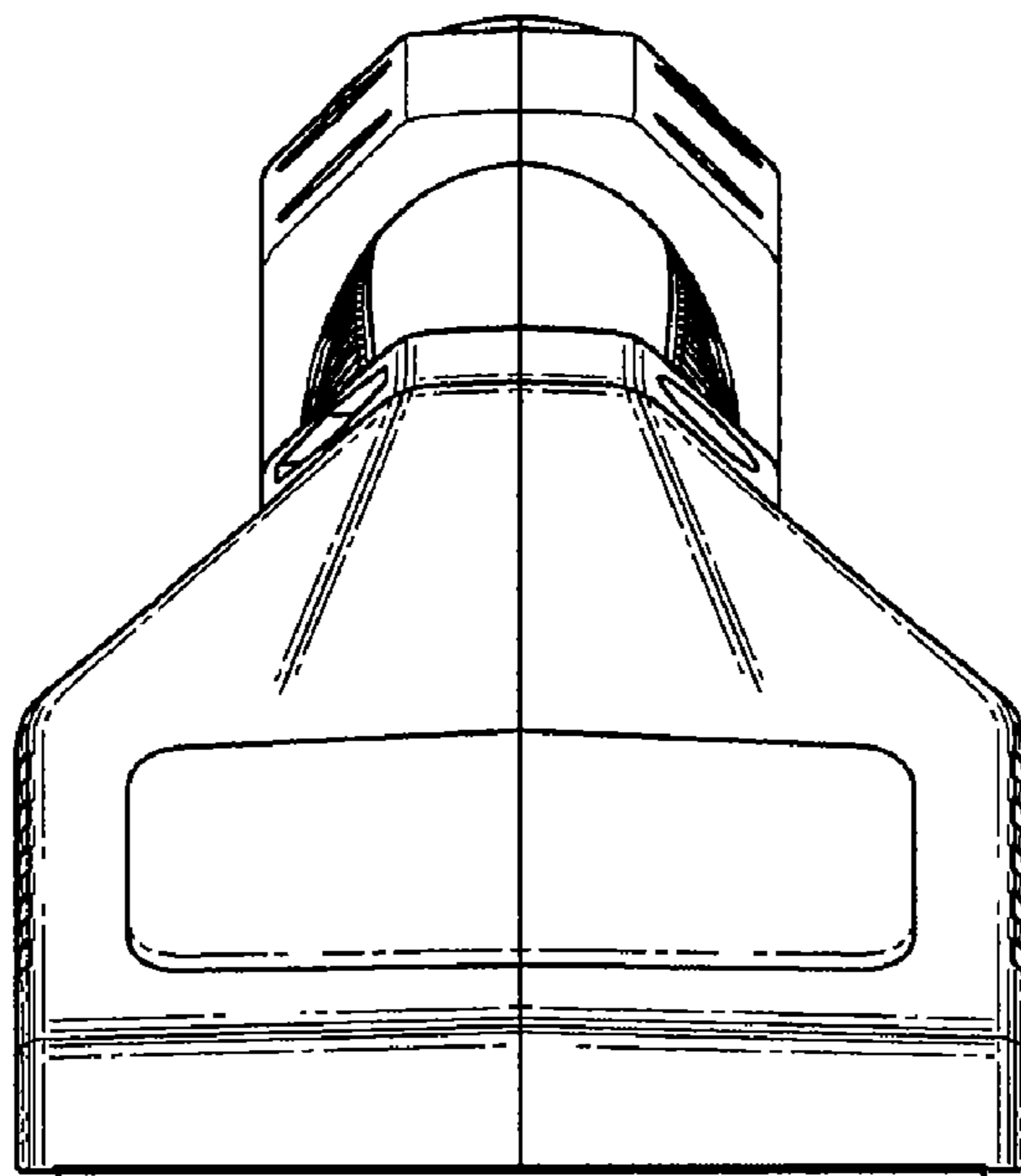


Fig. 4

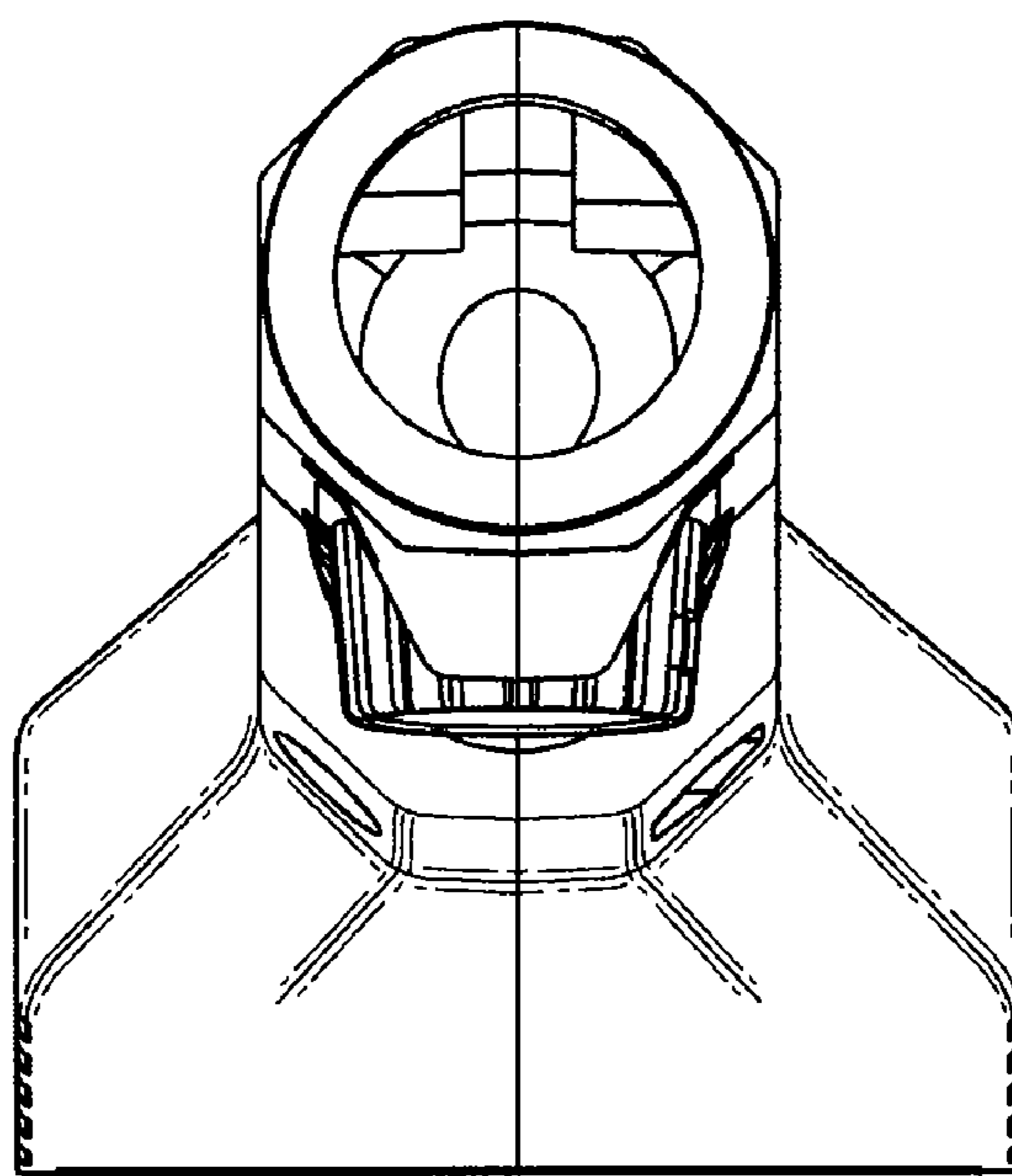


Fig. 5

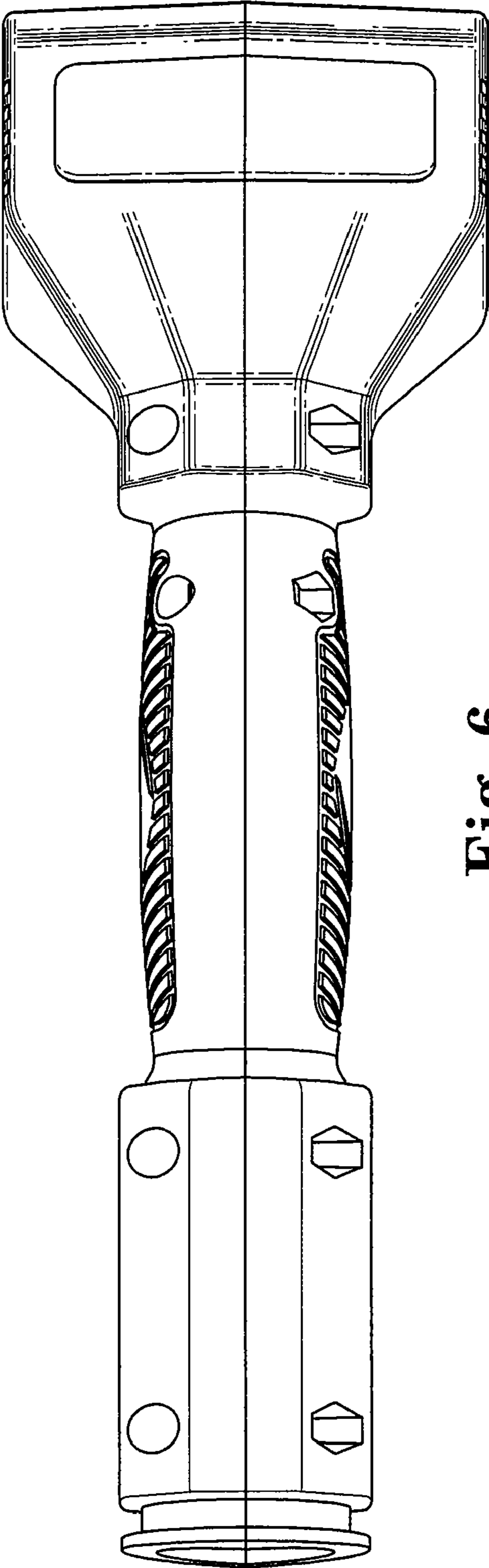


Fig. 6

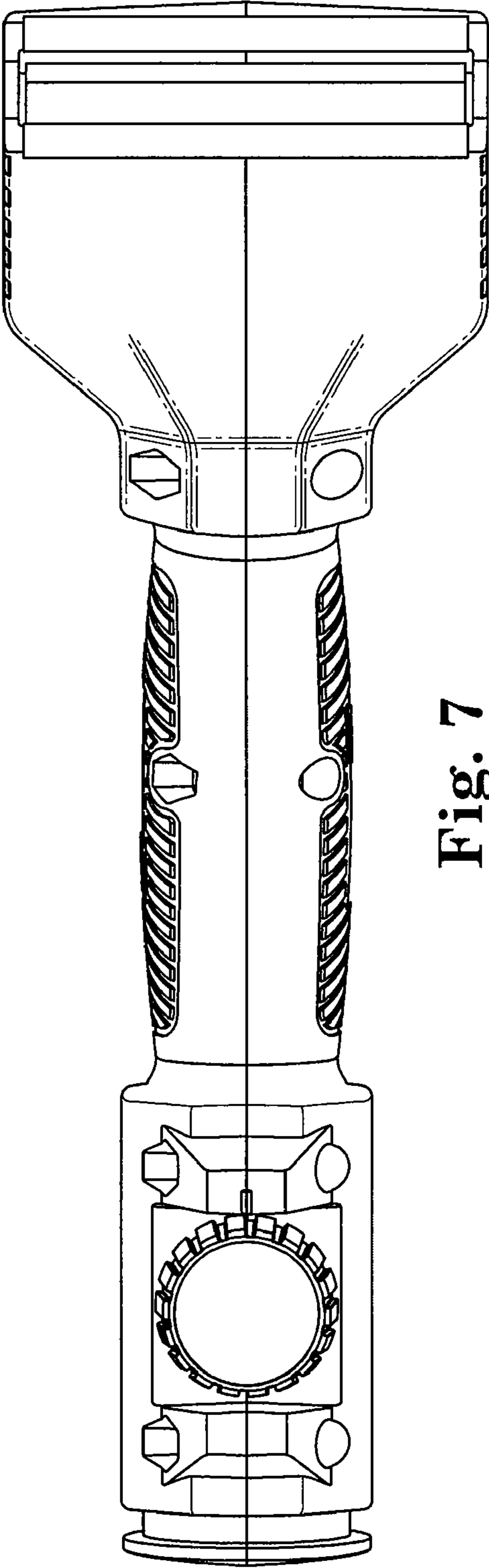


Fig. 7