



US00D590110S

(12) **United States Design Patent**
Hawkins

(10) **Patent No.:** **US D590,110 S**

(45) **Date of Patent:** **** Apr. 7, 2009**

(54) **PRESSURE WASHER FRAME**

(76) **Inventor:** **Bobby L. Hawkins**, 4 New Circle Rd.,
Travelers Rest, SC (US) 29690

(**) **Term:** **14 Years**

(21) **Appl. No.:** **29/325,598**

(22) **Filed:** **Oct. 3, 2008**

Related U.S. Application Data

(62) Division of application No. 29/291,424, filed on Aug.
28, 2007, now Pat. No. Des. 580,610.

(51) **LOC (9) Cl.** **15-05**

(52) **U.S. Cl.** **D32/25**

(58) **Field of Classification Search** D32/1,
D32/4, 15-18, 21, 25; D34/12-27; D23/225;
15/320-321, 340.1-340.2; 239/146-147,
239/525, 532; 417/360, 364

See application file for complete search history.

(56) **References Cited**

U.S. PATENT DOCUMENTS

4,632,627	A	12/1986	Swallows
5,217,238	A	6/1993	Cyphers et al.
D375,590	S	11/1996	Steinhart et al.
D444,279	S	6/2001	Kristiansen et al.
6,279,838	B1	8/2001	Sivells et al.
D451,257	S	11/2001	Moritsch
D458,423	S	6/2002	Rehkugler et al.
D463,888	S	10/2002	Rehkugler et al.
D467,692	S	12/2002	Morgan et al.

D499,848	S	12/2004	Leasure
6,866,486	B2	3/2005	Dexter et al.
7,125,228	B2	10/2006	Dexter et al.
D532,942	S	11/2006	Busschaert
2006/0083634	A1*	4/2006	Dexter et al. 417/380
2006/0102745	A1	5/2006	Dexter

* cited by examiner

Primary Examiner—T. Chase Nelson
Assistant Examiner—Kathleen M Sims
(74) *Attorney, Agent, or Firm*—J. Bennett Mullinax, LLC

(57) **CLAIM**

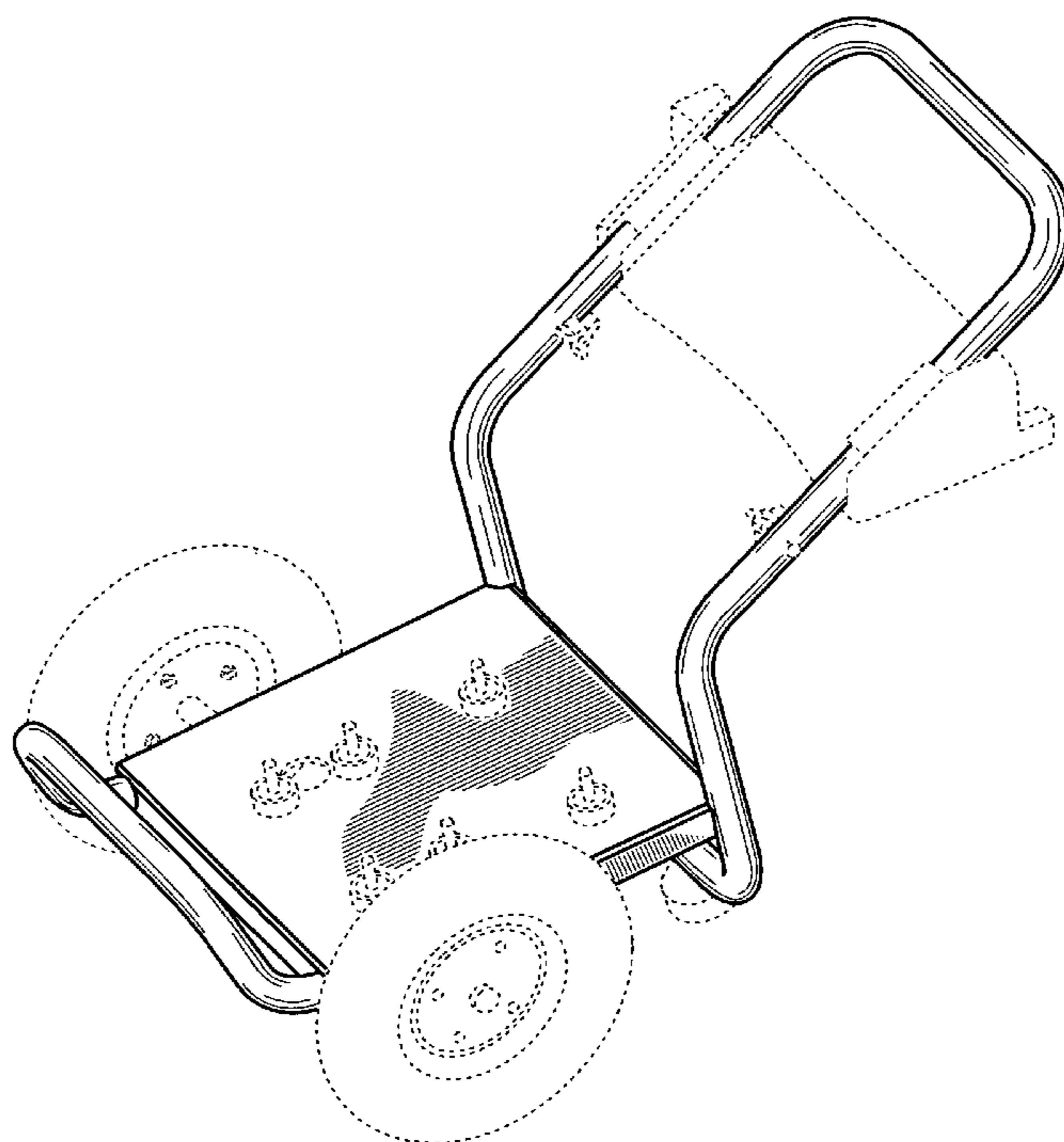
The ornamental design for a pressure washer frame, as shown and described.

DESCRIPTION

FIG. 1 is a left perspective view of a pressure washer frame showing my new design;
FIG. 2 is a rear view thereof;
FIG. 3 is a front view thereof;
FIG. 4 is a left side view thereof;
FIG. 5 is a right side view thereof;
FIG. 6 is a top plan view thereof; and,
FIG. 7 is a bottom plan view thereof.

The broken line showing of an accessory holder across the handle, tires, coupling hardware and pad rests in FIGS. 1-7 is included for the purpose of showing environmental portions of the pressure washer frame and forms no part of the claimed design.

1 Claim, 7 Drawing Sheets



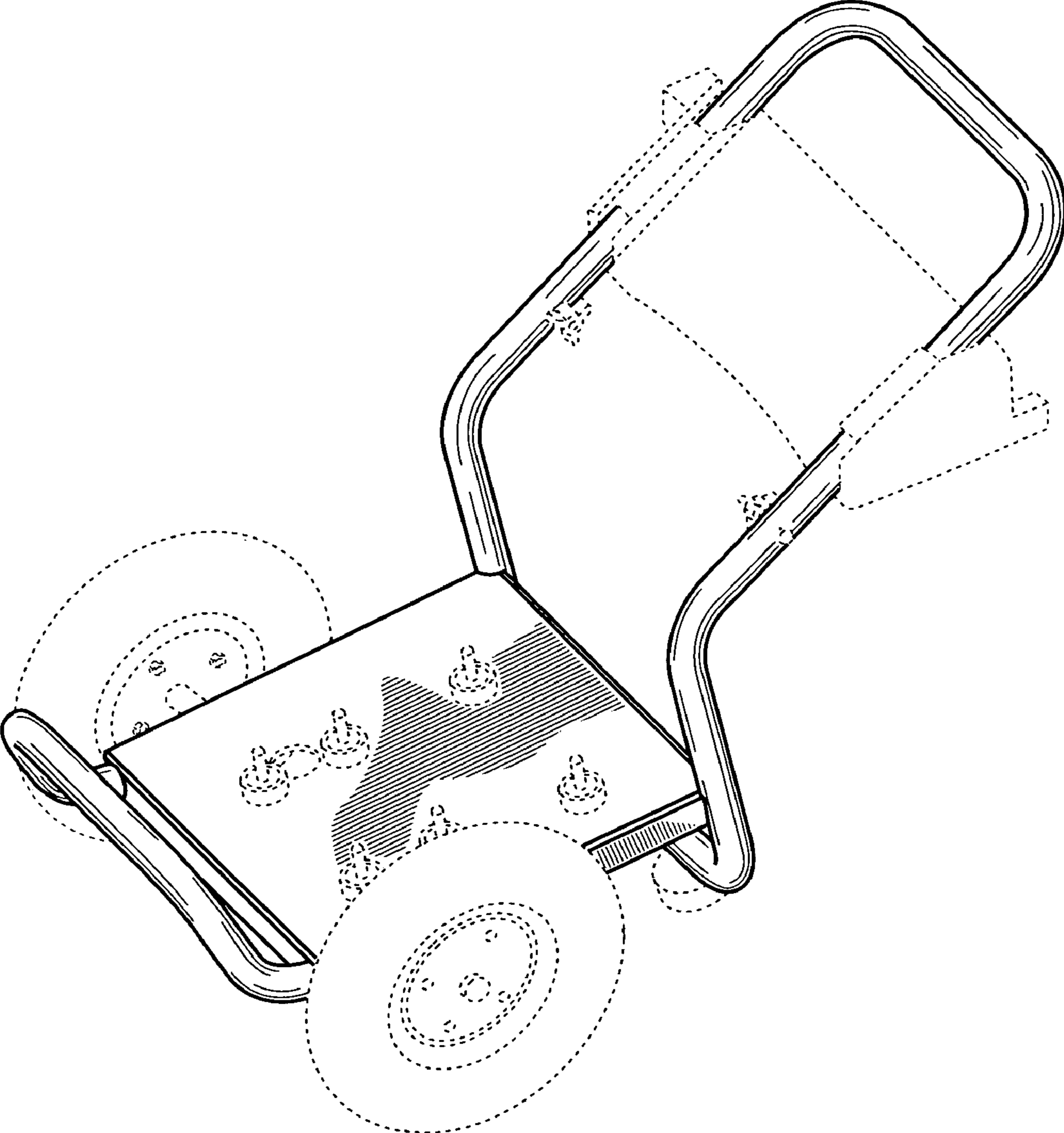


FIG. 1

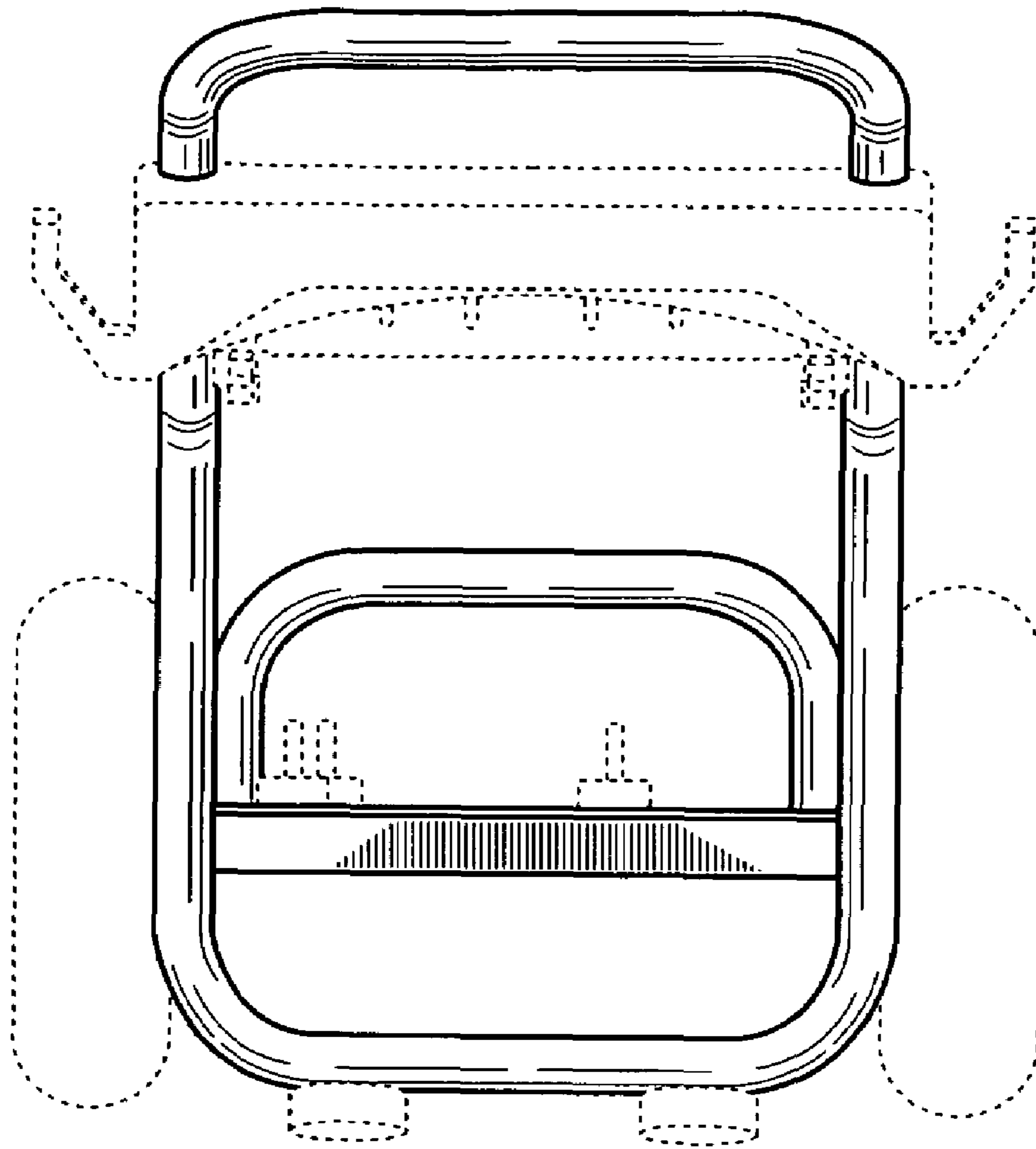


FIG. 2

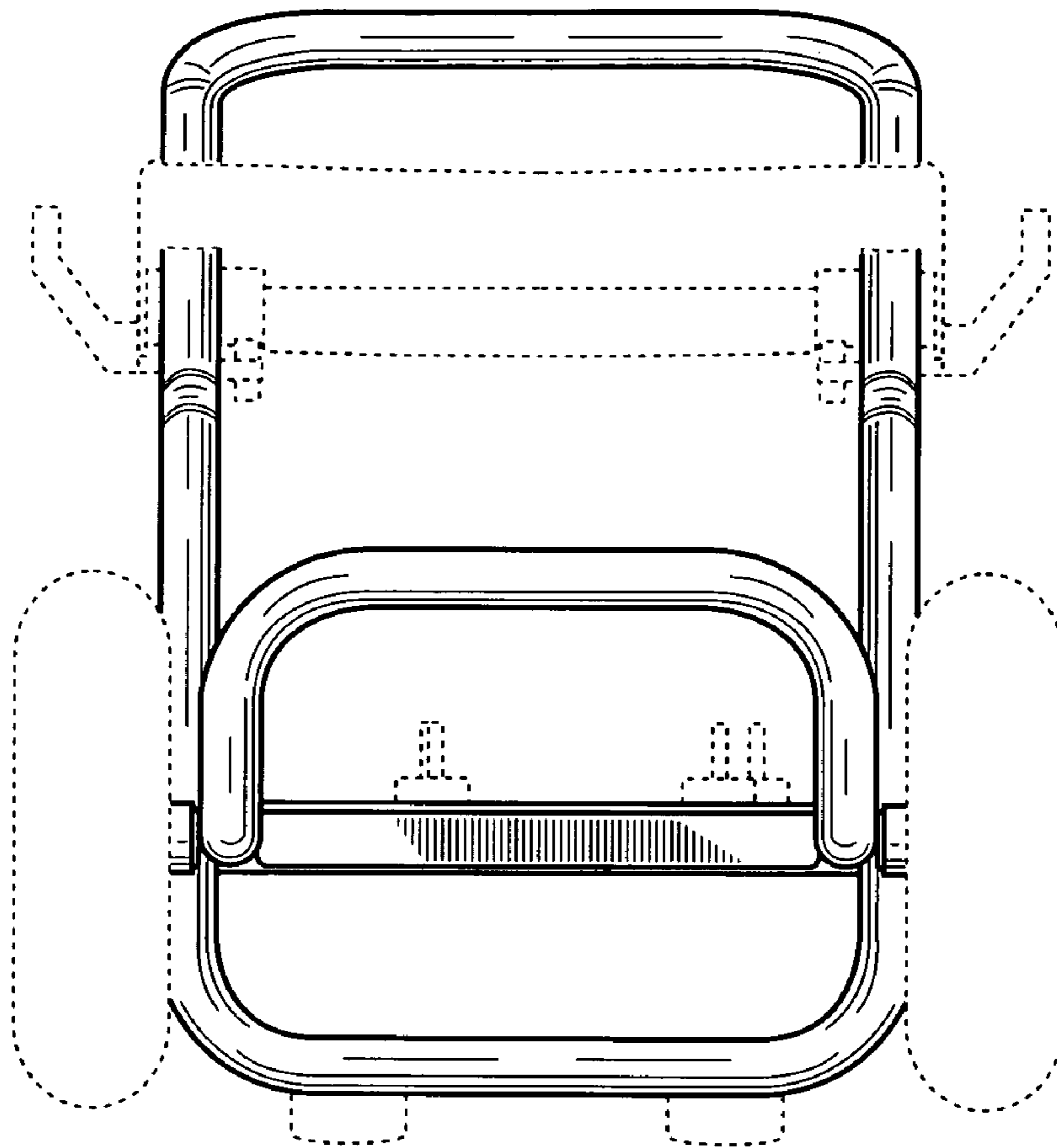


FIG. 3

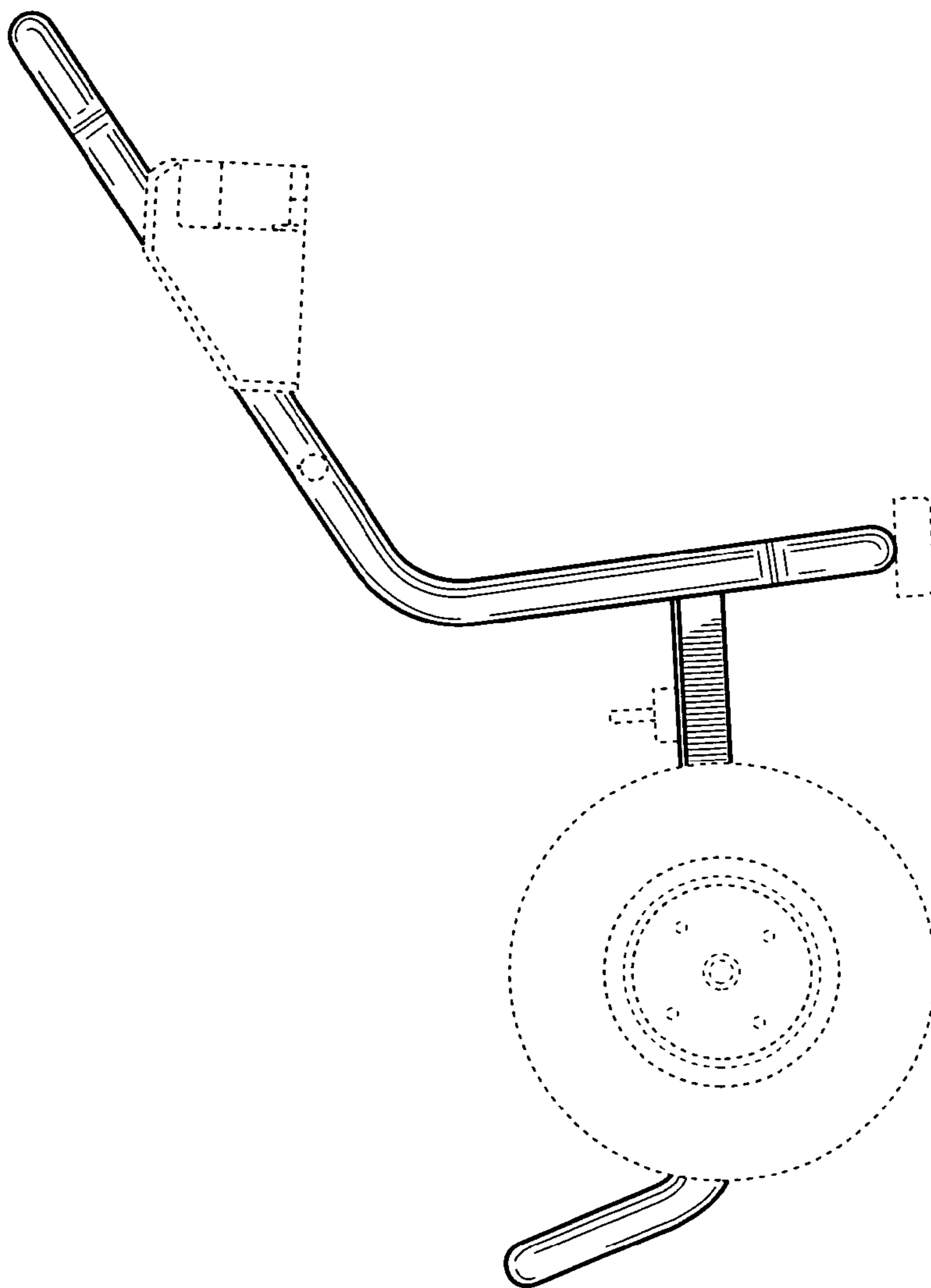


FIG. 4

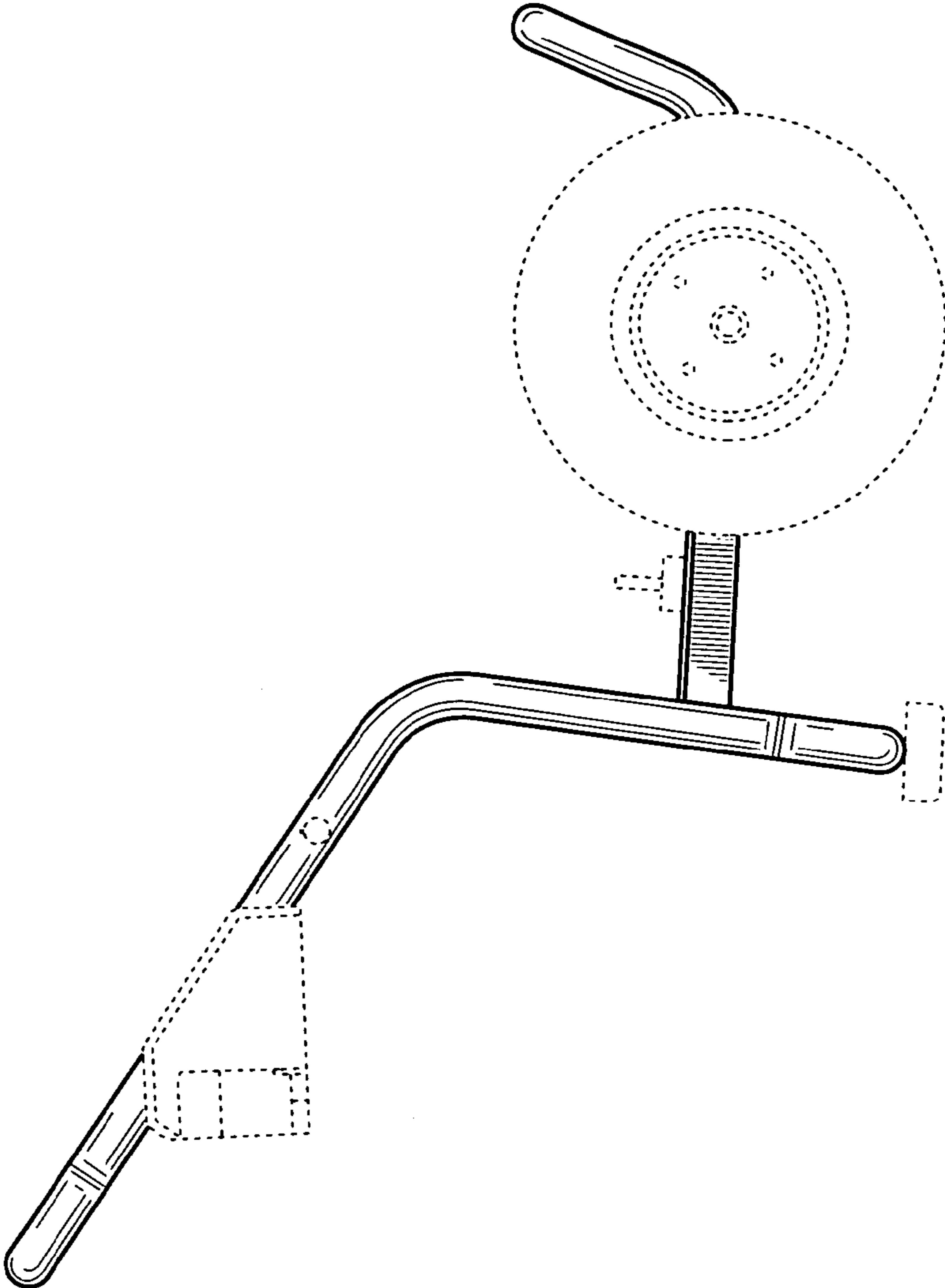


FIG. 5

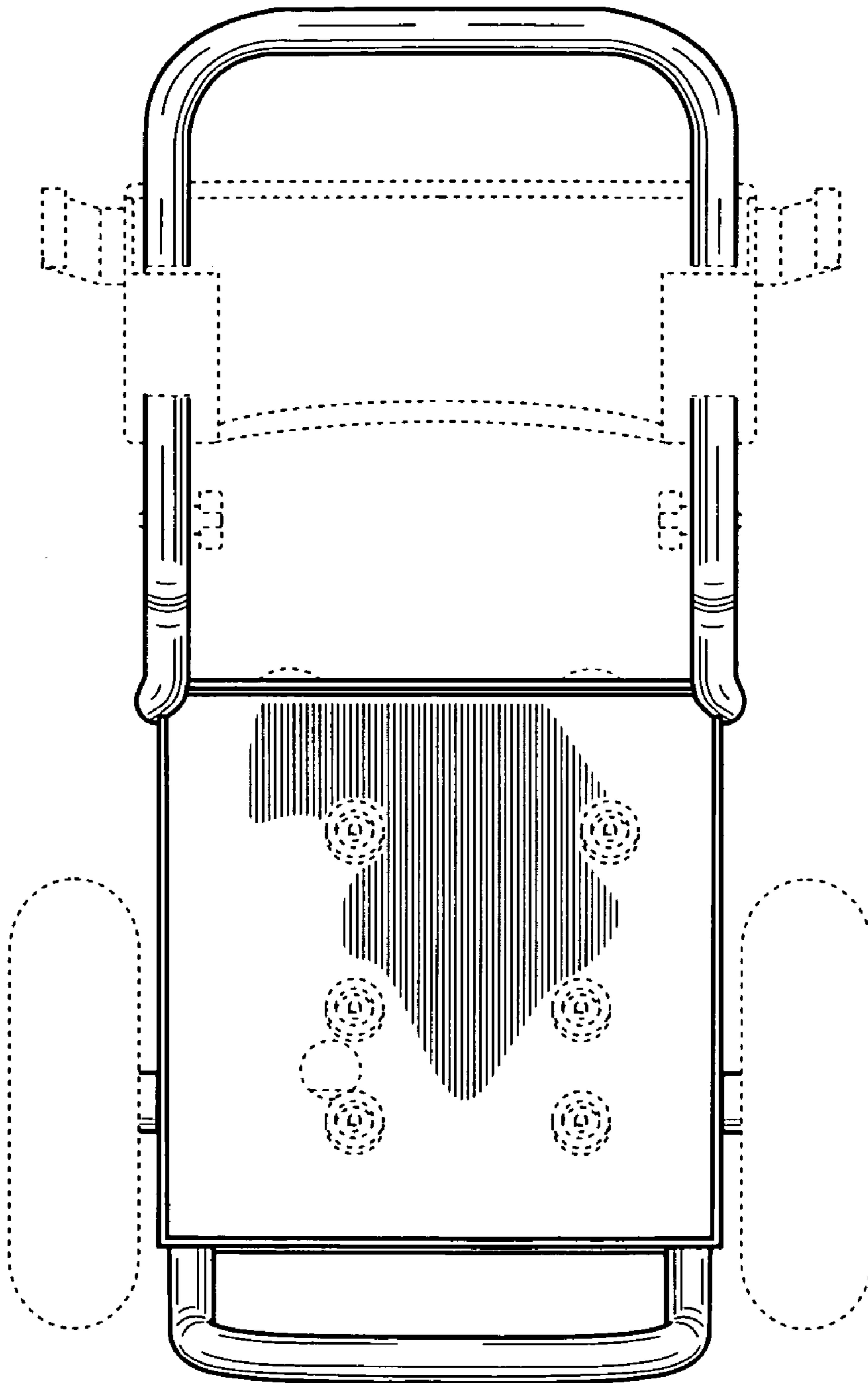


FIG. 6

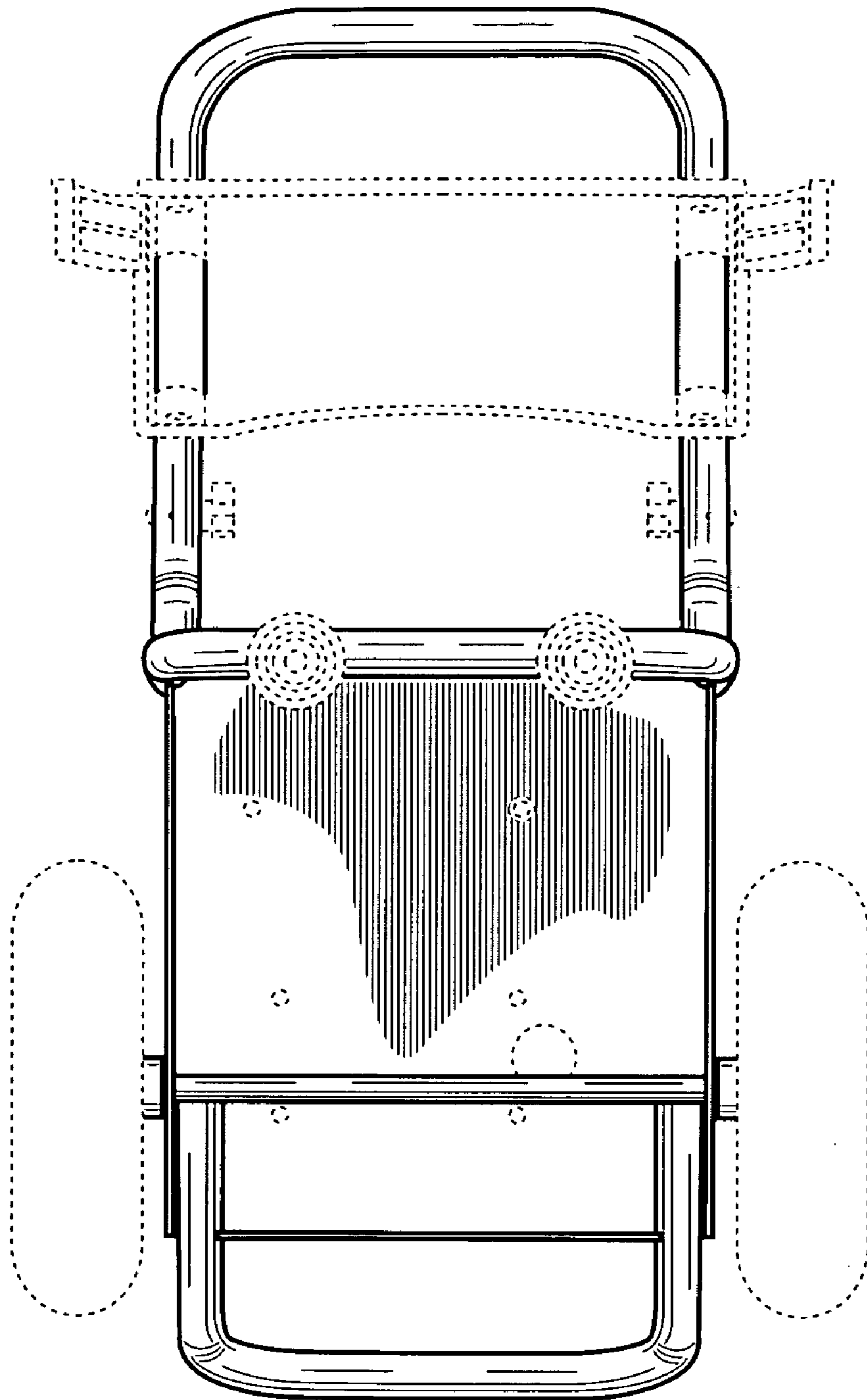


FIG. 7