



US00D590105S

(12) **United States Design Patent**
Pohorelec

(10) **Patent No.:** **US D590,105 S**

(45) **Date of Patent:** **** Apr. 7, 2009**

(54) **SHIN SAVER SHIELD**

(76) Inventor: **John Pohorelec**, 82 Sun Wood Dr.,
Calverton, NY (US) 11933

(**) Term: **14 Years**

(21) Appl. No.: **29/301,855**

(22) Filed: **Mar. 20, 2008**

(51) **LOC (9) Cl.** **29-02**

(52) **U.S. Cl.** **D29/121.2**

(58) **Field of Classification Search** D29/100,
D29/101.1, 101.2, 101.3, 101.4, 101.5, 120.1,
D29/120.2, 121.1, 121.2, 122; D2/901; D24/190;
2/16, 20-24, 62, 267, 455, 461, 463, 910,
2/911; 602/3, 5, 6, 16, 23, 26

See application file for complete search history.

(56) **References Cited**

U.S. PATENT DOCUMENTS

2,733,443	A *	2/1956	Holder	2/22
4,641,639	A *	2/1987	Padilla	602/23
D306,921	S *	3/1990	Pettinelli	D29/120.1
D365,667	S *	12/1995	Hargrove et al.	D29/120.1
5,570,470	A	11/1996	Miller		
D382,673	S *	8/1997	Hargrove et al.	D29/120.1
D383,250	S *	9/1997	Amico	D29/120.1
6,327,710	B1	12/2001	Dunn		

6,405,383	B2	6/2002	Heller		
6,637,034	B1 *	10/2003	Worden	2/24
D504,980	S *	5/2005	Le Carpentier	D29/120.1
D555,291	S *	11/2007	Danzo	D29/121.2

* cited by examiner

Primary Examiner—Raphael Barkai

Assistant Examiner—Randall H Gholson

(57) **CLAIM**

The ornamental design for a shin saver shield, as shown and described.

DESCRIPTION

FIG. 1 is a left side elevational view of a shin saver shield showing my new design;

FIG. 2 is a front elevational view thereof;

FIG. 3 is a right side elevational view thereof;

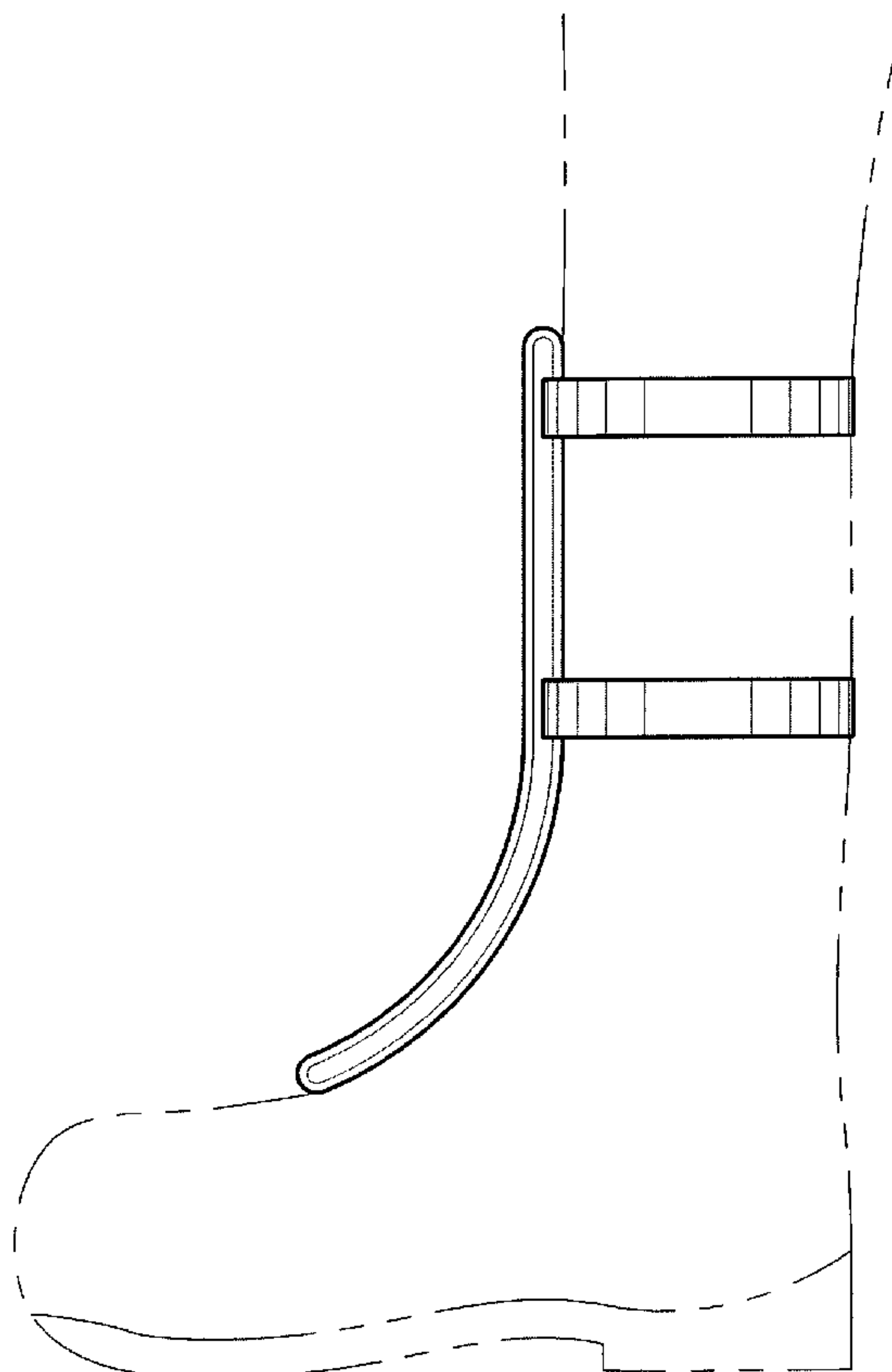
FIG. 4 is a rear elevational thereof;

FIG. 5 is a top plan view thereof; and,

FIG. 6 is a bottom plan view thereof.

The indicia or broken lines shown on the figures are for illustrative purposes only and are hereby disclaimed as forming no part of Applicant's claimed invention.

1 Claim, 6 Drawing Sheets



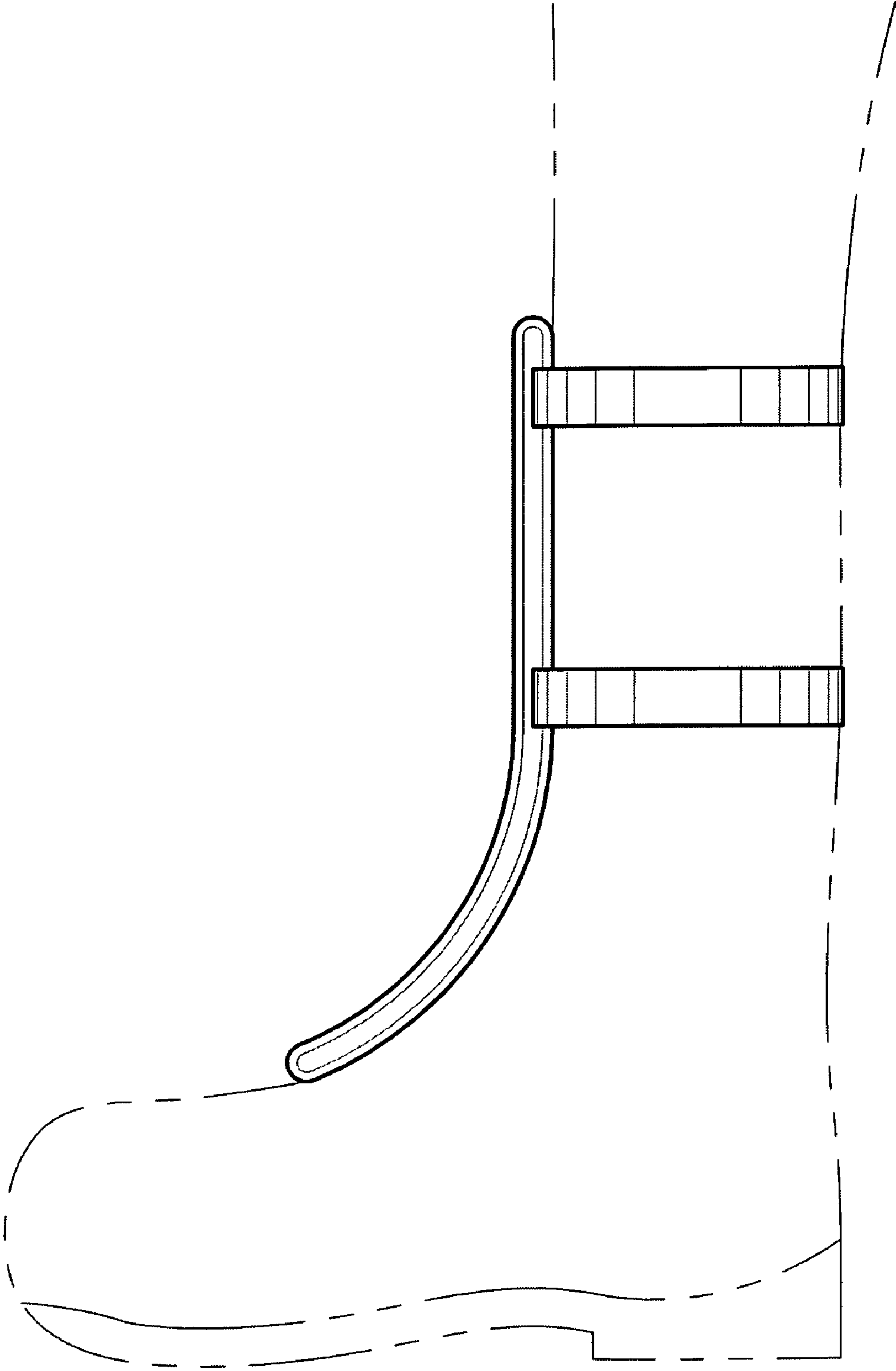


FIG. 1

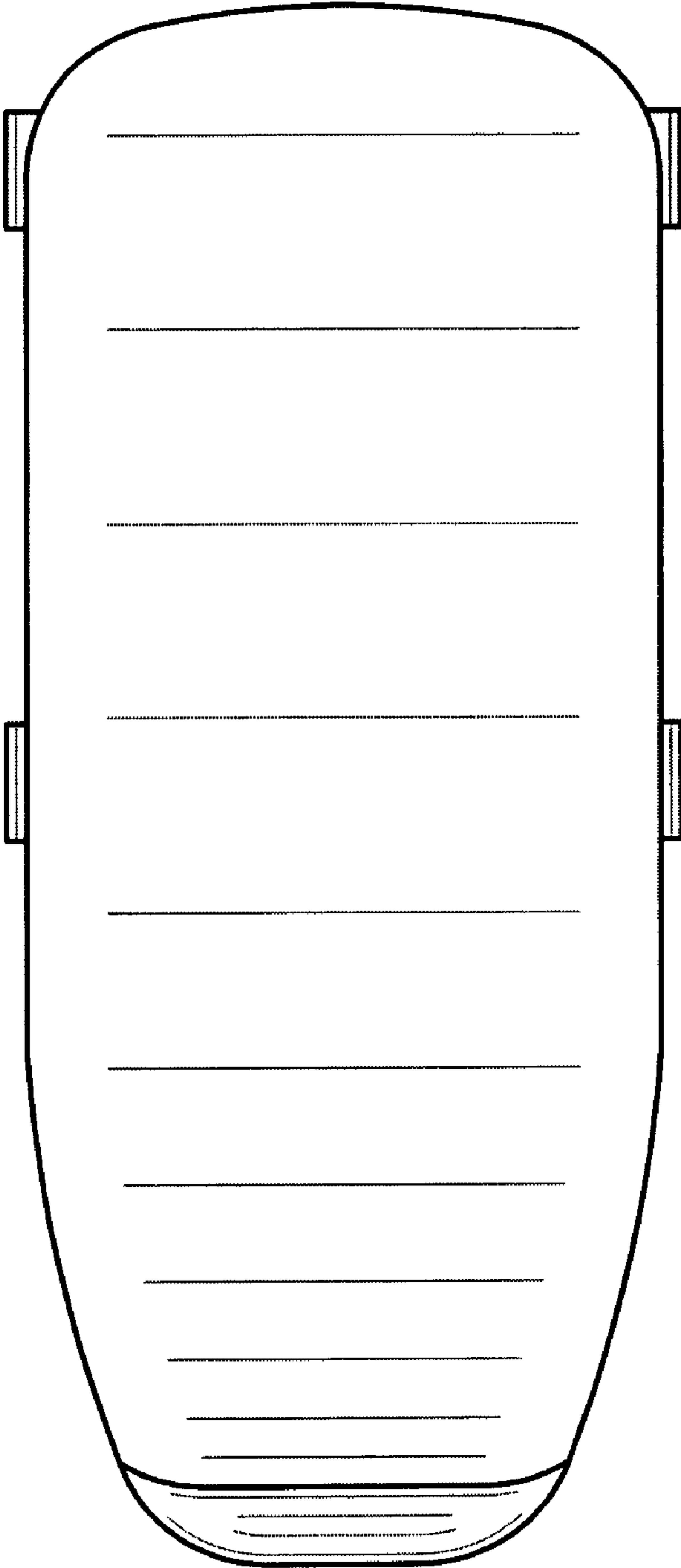


FIG. 2

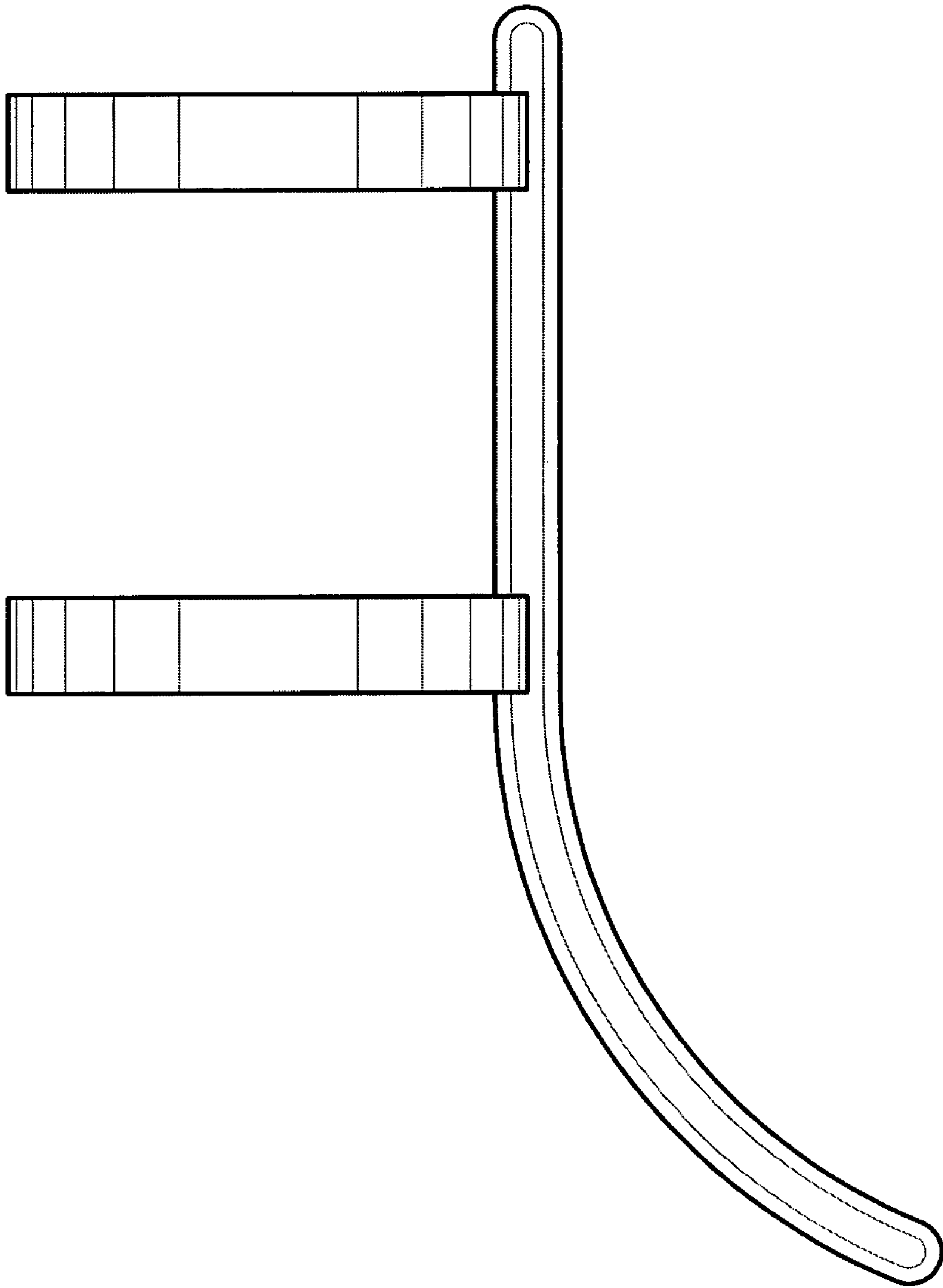


FIG. 3

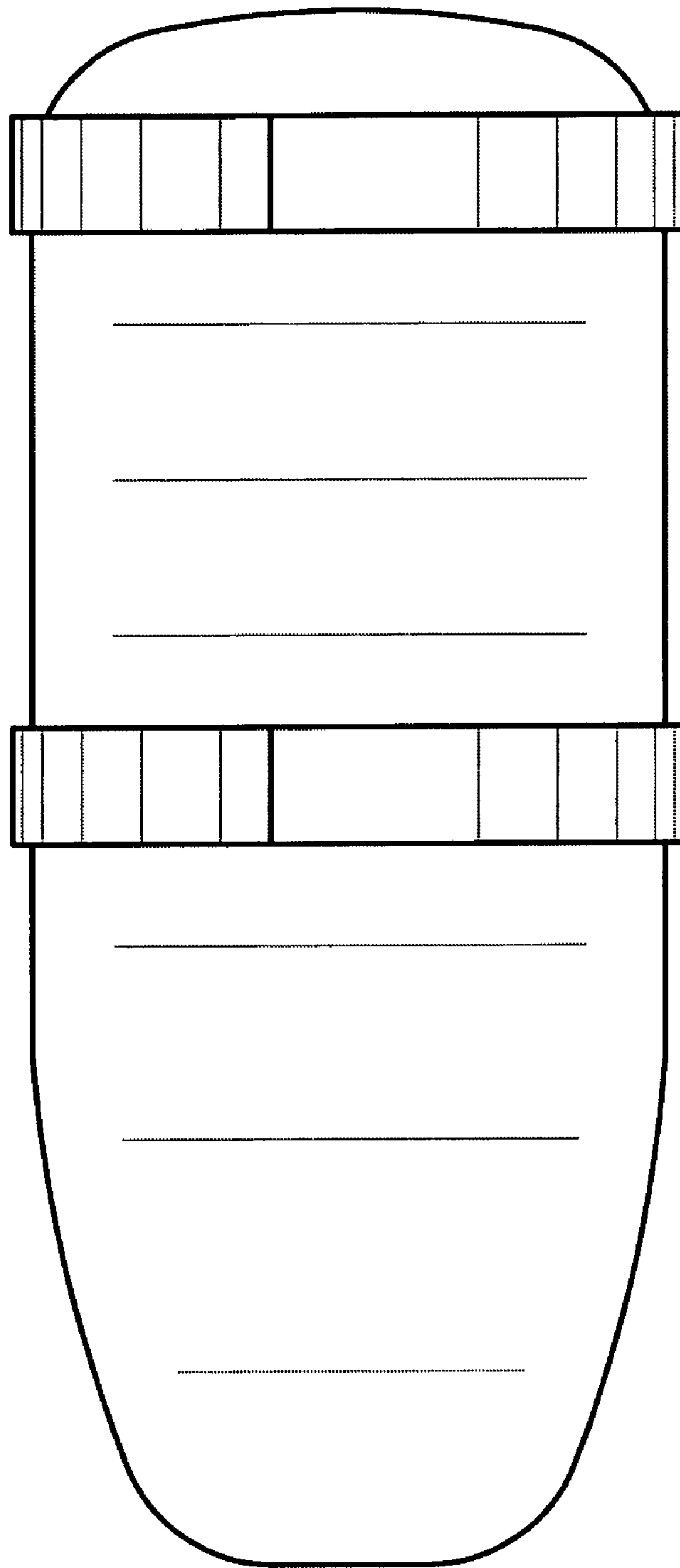


FIG. 4

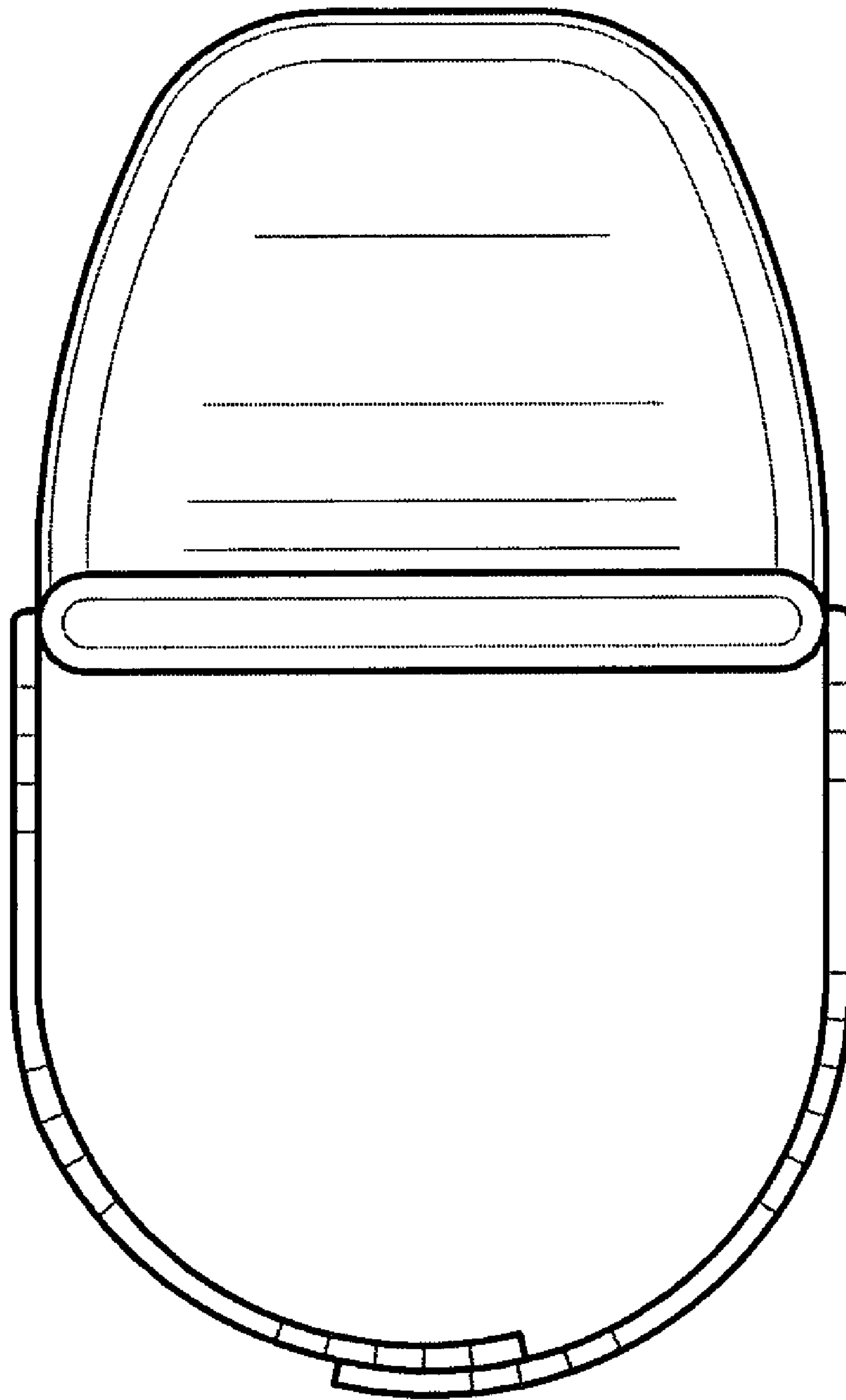


FIG. 5

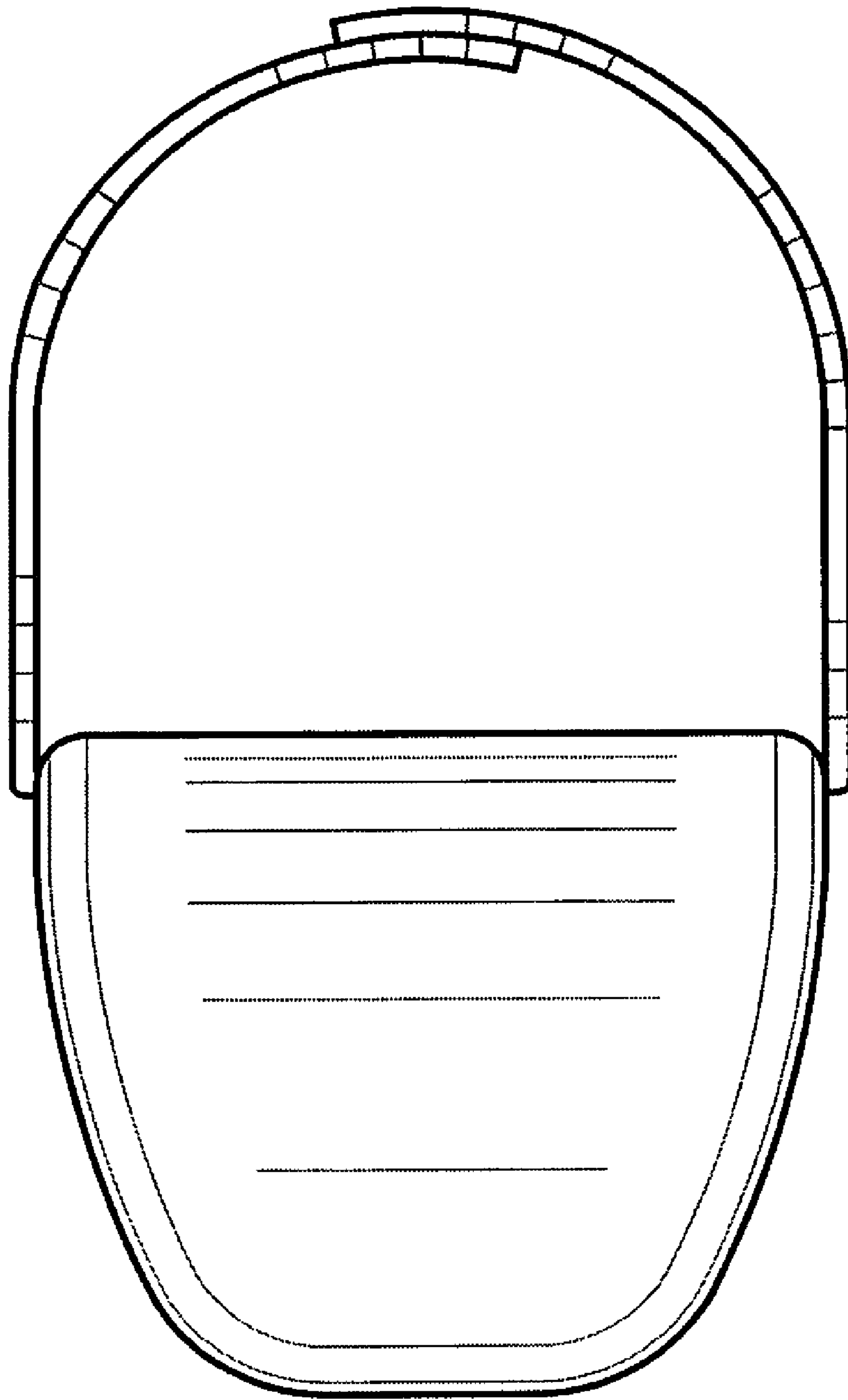


FIG. 6