



US00D590102S

(12) **United States Design Patent**
Hsu

(10) **Patent No.:** **US D590,102 S**
(45) **Date of Patent:** **** Apr. 7, 2009**

(54) **HAIR CLIP**

(76) Inventor: **Shih Ling Hsu**, No. 46, Alley 87, Lane 871, Chengbei Road, Annan District, Tainan City 709 (TW)

(**) Term: **14 Years**

(21) Appl. No.: **29/324,135**

(22) Filed: **Sep. 5, 2008**

(51) **LOC (9) Cl.** **28-03**

(52) **U.S. Cl.** **D28/40; D28/39**

(58) **Field of Classification Search** D28/21-34, D28/39-43; 132/101, 126, 128-131, 144, 132/148, 219, 275-284

See application file for complete search history.

(56) **References Cited**

U.S. PATENT DOCUMENTS

D41,360	S	*	5/1911	Skiff	D28/42
1,086,997	A	*	2/1914	Collins	132/278
1,155,399	A	*	10/1915	Bechtold	132/145
1,675,806	A	*	7/1928	Holden	24/561
2,475,998	A	*	7/1949	Soergel	132/279
2,778,367	A	*	1/1957	Gresham et al.	132/279
D202,016	S	*	8/1965	Solomon	D28/40
5,355,899	A	*	10/1994	Kuo-Hua	132/279

5,495,862	A	*	3/1996	Dewing	132/279
D393,927	S	*	4/1998	Chou	D28/42
D393,928	S	*	4/1998	Chou	D28/42
5,749,382	A	*	5/1998	Tsai		
5,816,267	A	*	10/1998	Chou	132/145

* cited by examiner

Primary Examiner—Janice E Seeger

Assistant Examiner—Zenia I Bennett

(74) *Attorney, Agent, or Firm*—Banger Shia

(57) **CLAIM**

The ornamental design for a hair clip, as shown and described.

DESCRIPTION

FIG. 1 is a perspective view of a hair clip showing my new design;

FIG. 2 is a front elevation view thereof;

FIG. 3 is a rear elevation view thereof;

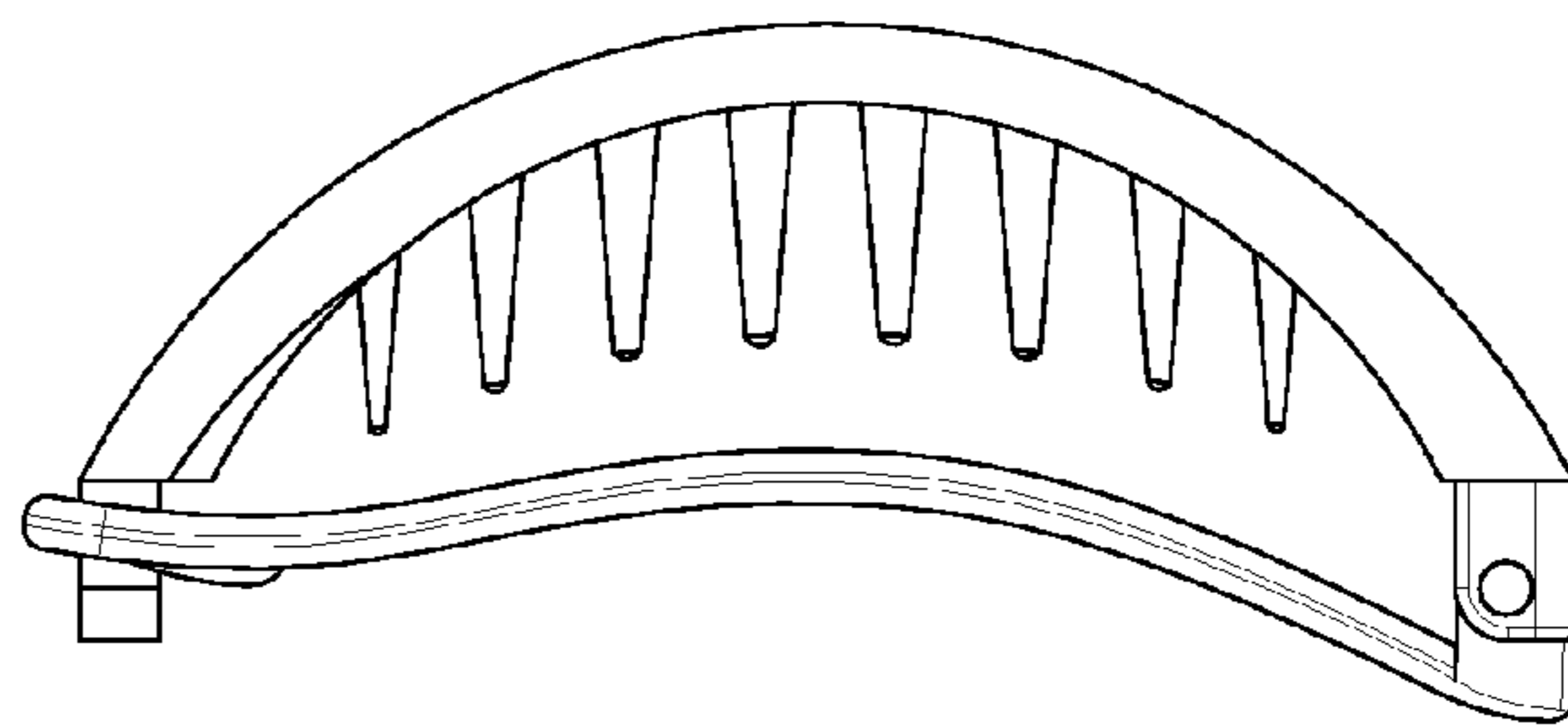
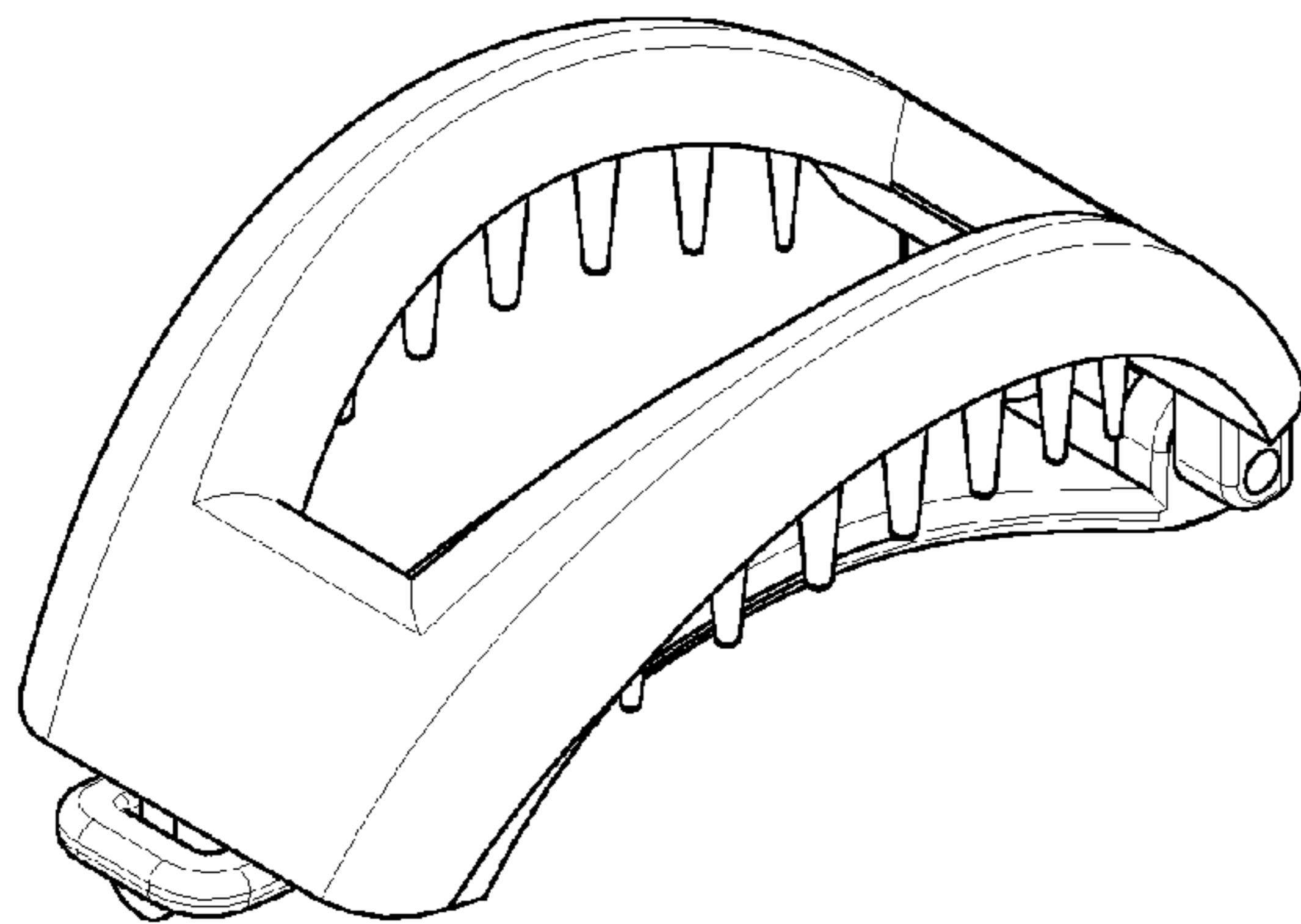
FIG. 4 is a left side elevation view thereof;

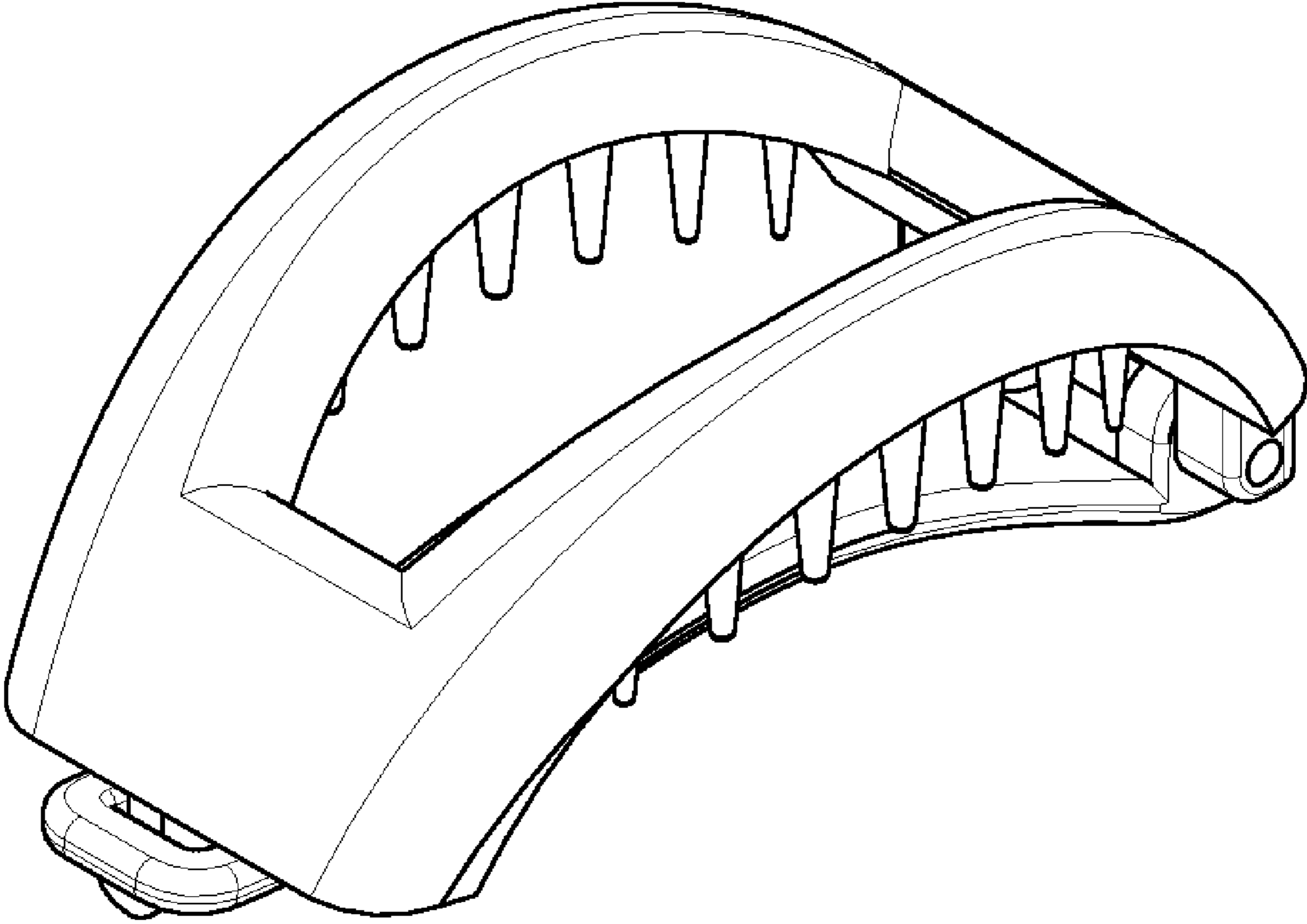
FIG. 5 is a right side elevation view thereof;

FIG. 6 is a top plan view thereof; and,

FIG. 7 is a bottom plan view thereof.

1 Claim, 4 Drawing Sheets





F I G . 1

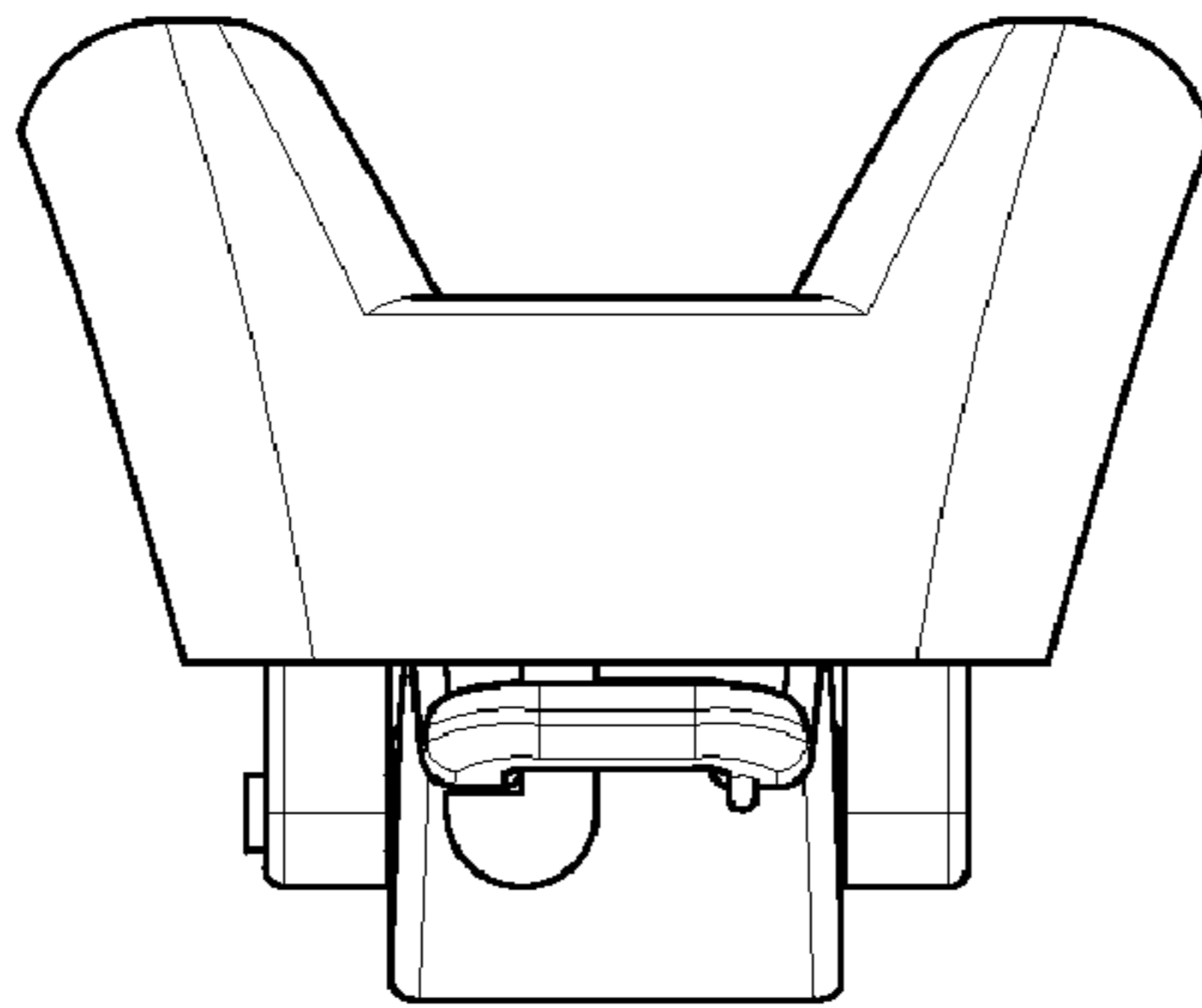


FIG. 2

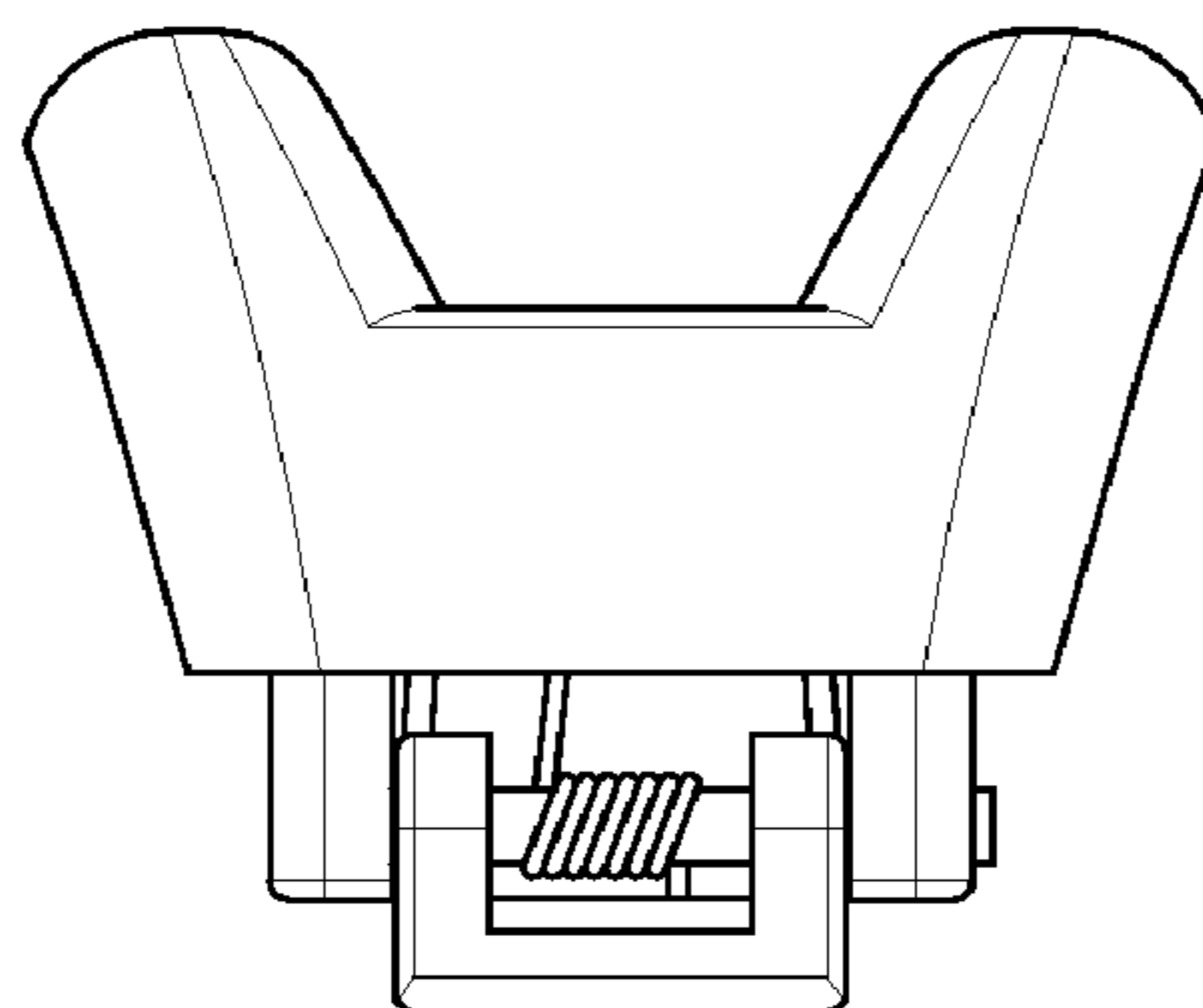
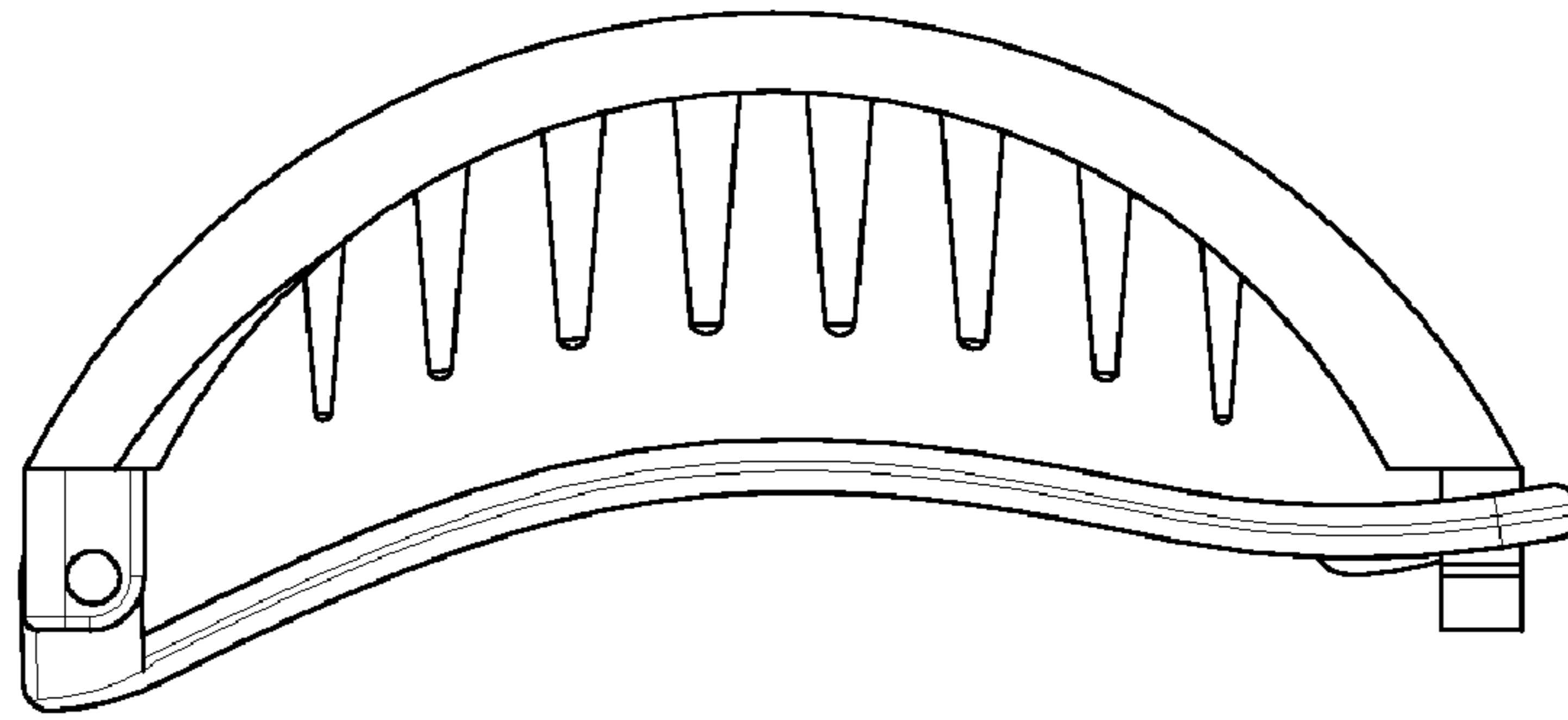
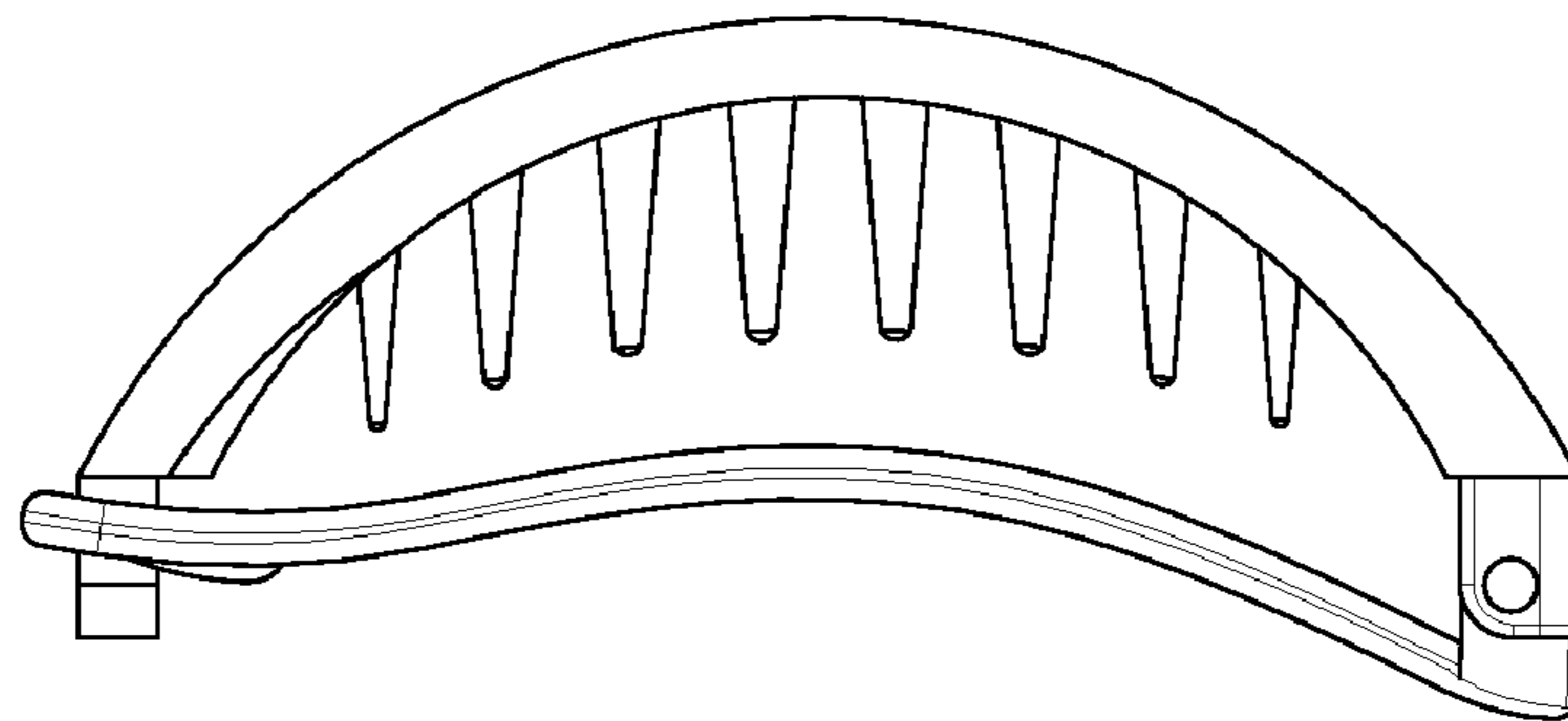


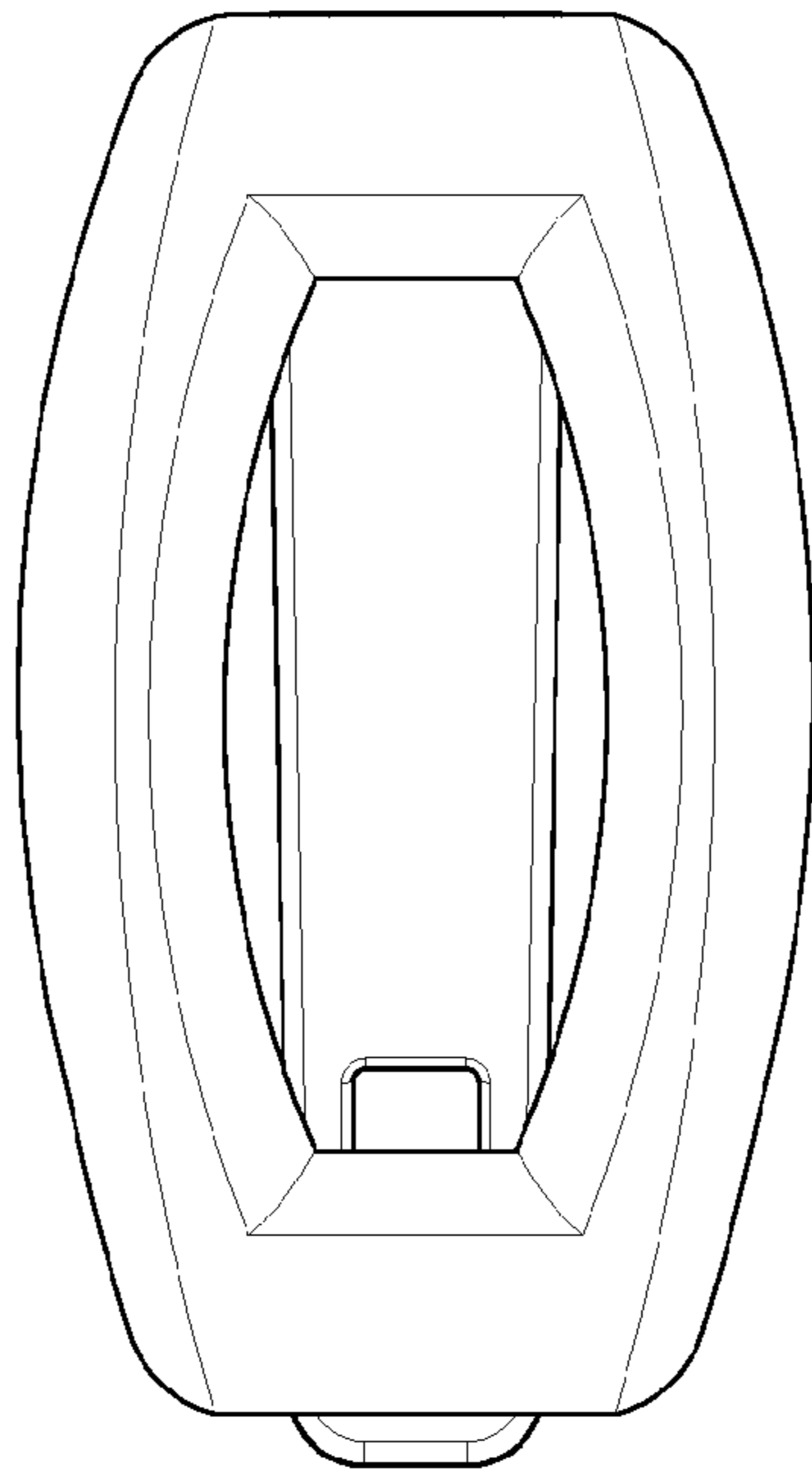
FIG. 3



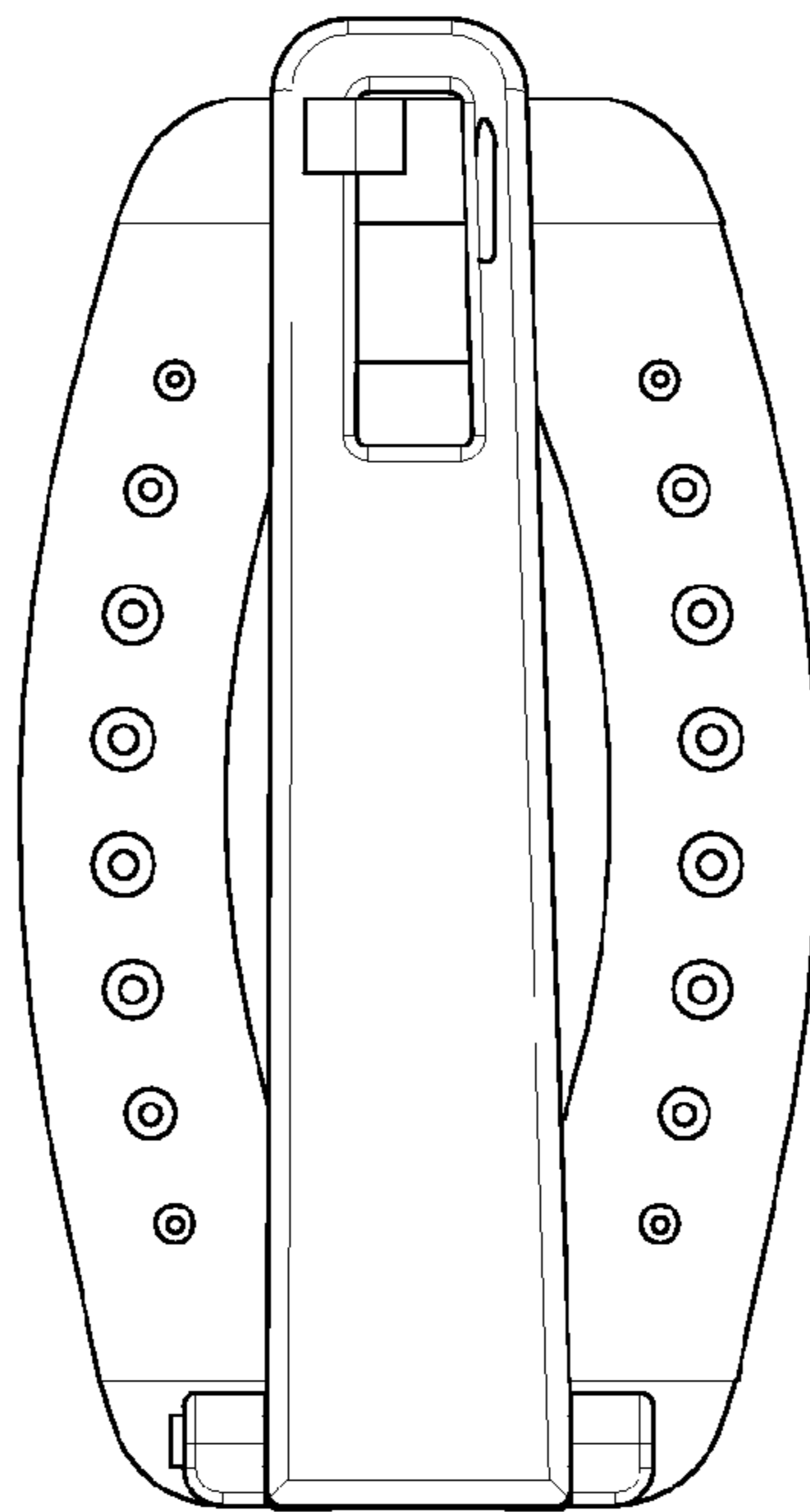
F I G . 4



F I G . 5



F I G . 6



F I G . 7