



US00D590101S

(12) **United States Design Patent**
Hsu

(10) **Patent No.:** **US D590,101 S**

(45) **Date of Patent:** **** Apr. 7, 2009**

(54) **DIGITAL ACOUSTICS LAMP SEAT**

(75) Inventor: **Keen Hsu**, Taichung (TW)

(73) Assignee: **Dong Guan Bright Yinhuey Lighting Co., Ltd.**, Guang Dong (CN)

(**) Term: **14 Years**

(21) Appl. No.: **29/272,887**

(22) Filed: **Feb. 20, 2007**

(51) **LOC (9) Cl.** **26-99**

(52) **U.S. Cl.** **D26/142; D14/216**

(58) **Field of Classification Search** D26/93,
D26/94, 110, 51, 107, 105, 97, 103, 138,
D26/24, 57, 112, 113, 142, 146, 147, 148,
D26/149, 153; 362/287, 153, 181, 217, 257,
362/382, 395, 410, 412, 441, 414, 416, 431;
D14/217, 253

See application file for complete search history.

(56) **References Cited**

U.S. PATENT DOCUMENTS

- D274,048 S * 5/1984 Wong et al. D10/106
- D340,999 S * 11/1993 Kua D26/62
- D353,905 S * 12/1994 Lin D26/65
- D369,226 S * 4/1996 Yuen D26/52
- D468,305 S * 1/2003 Ma et al. D14/253

* cited by examiner

Primary Examiner—Cathron C Brooks

Assistant Examiner—Kevin K Rudzinski

(74) *Attorney, Agent, or Firm*—Alan Kamrath; Kamrath & Associates PA

(57) **CLAIM**

The ornamental design for a digital acoustics lamp seat, as shown and described.

DESCRIPTION

FIG. 1 is a perspective view of a digital acoustics lamp seat showing my design;

FIG. 2 is a front elevational view thereof;

FIG. 3 is a rear elevational view thereof;

FIG. 4 is a left side elevational view thereof;

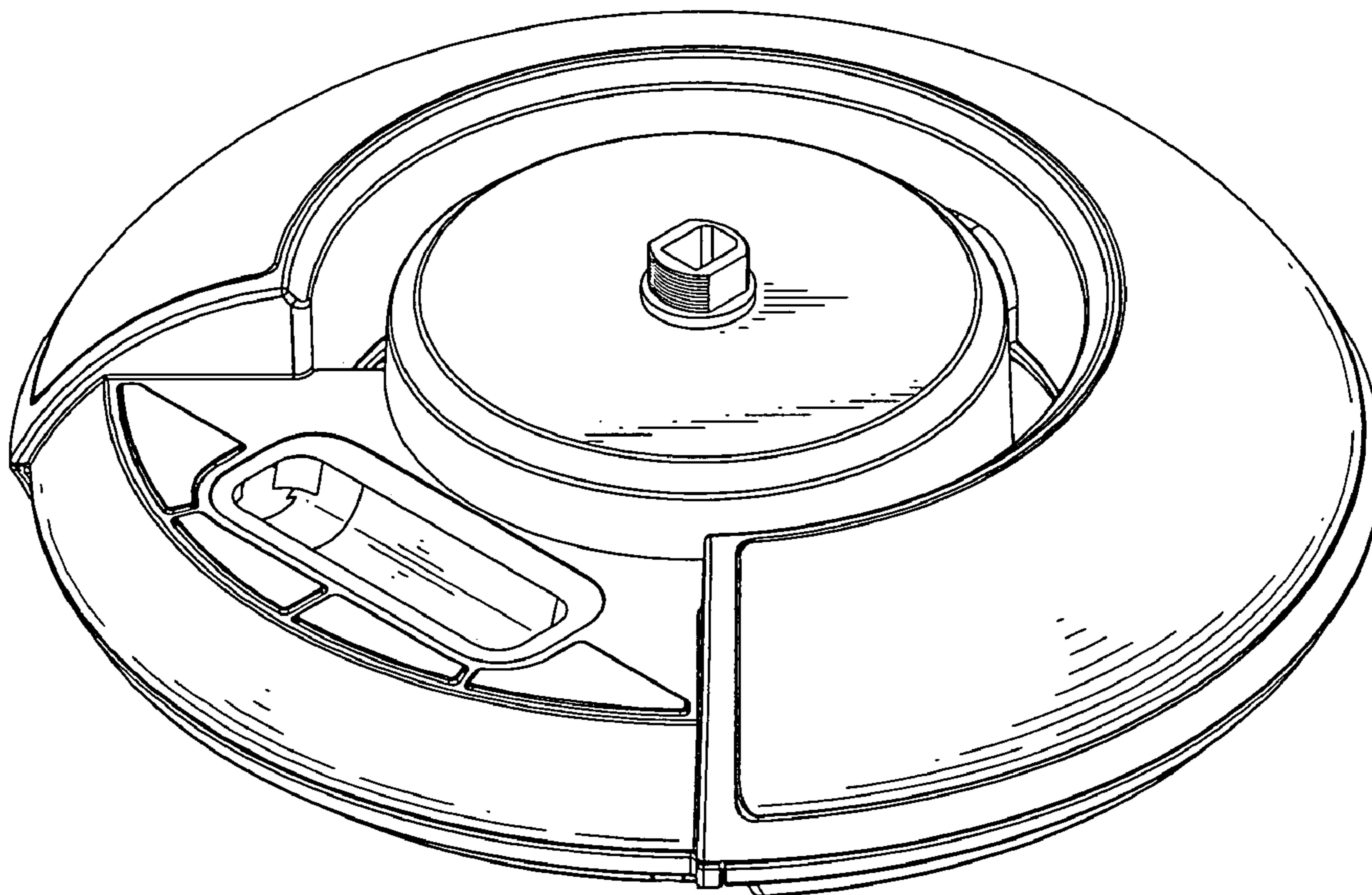
FIG. 5 is a right side elevational view thereof;

FIG. 6 is a top plan view thereof;

FIG. 7 is a bottom plan view thereof, with the broken lines in FIG. 7 included for the purpose of illustrating a portion of the bottom of the design that forms no part of the claimed design; and,

FIG. 8 is a perspective schematic view illustrating an application of a digital acoustics lamp seat showing my design. The broken lines shown in the drawing are for illustrative purposes only and form no part of the claimed design.

1 Claim, 6 Drawing Sheets



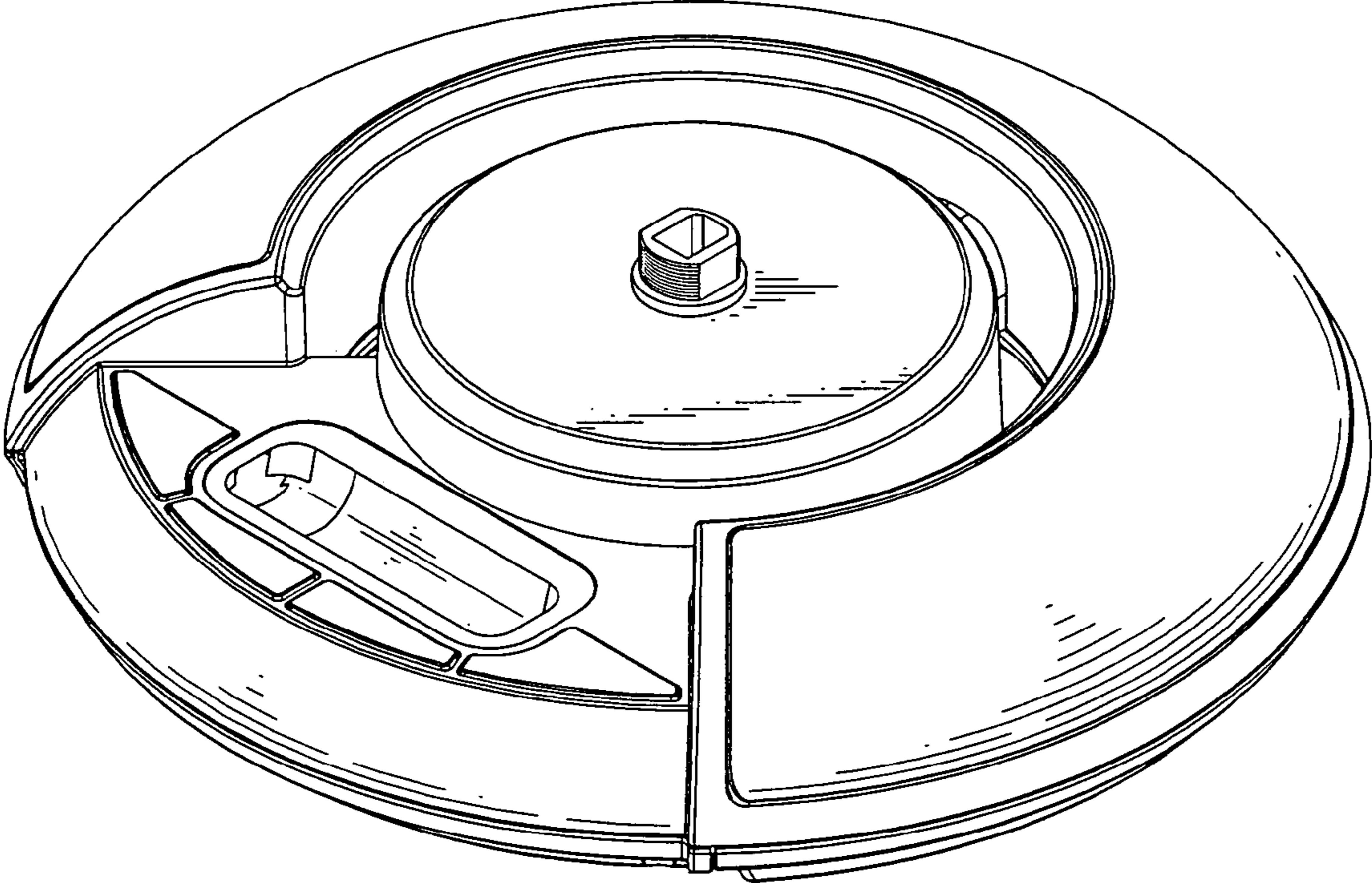


FIG. 1

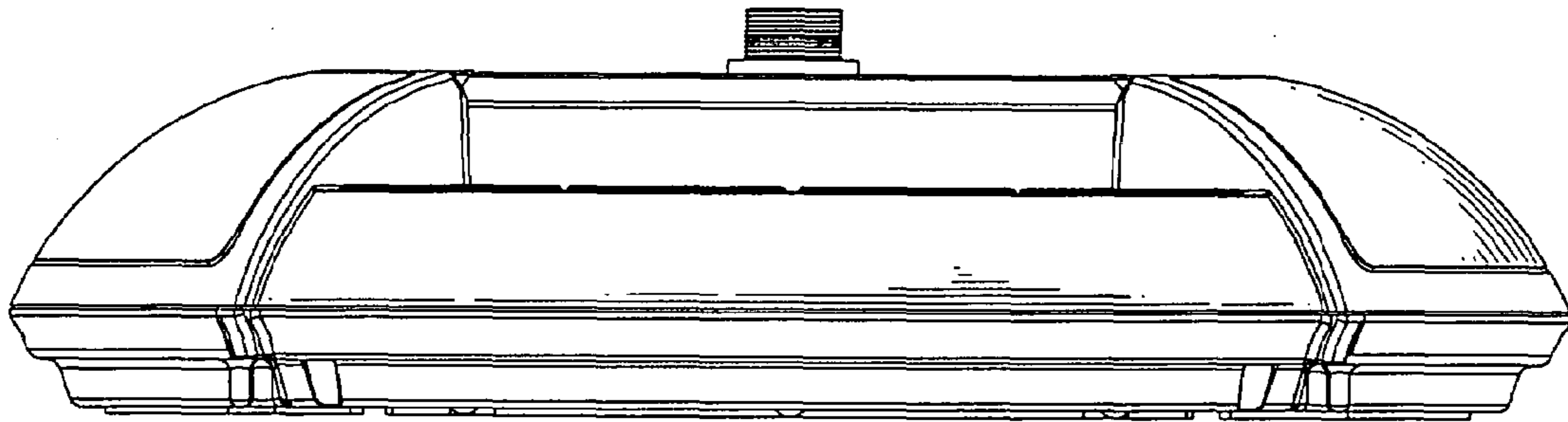


FIG. 2

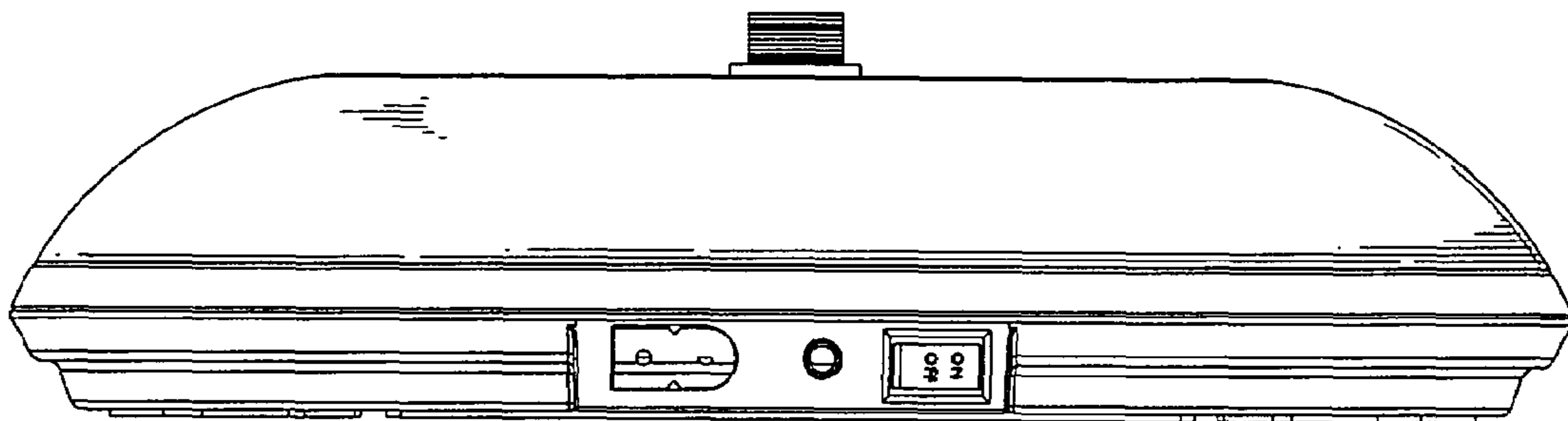


FIG. 3

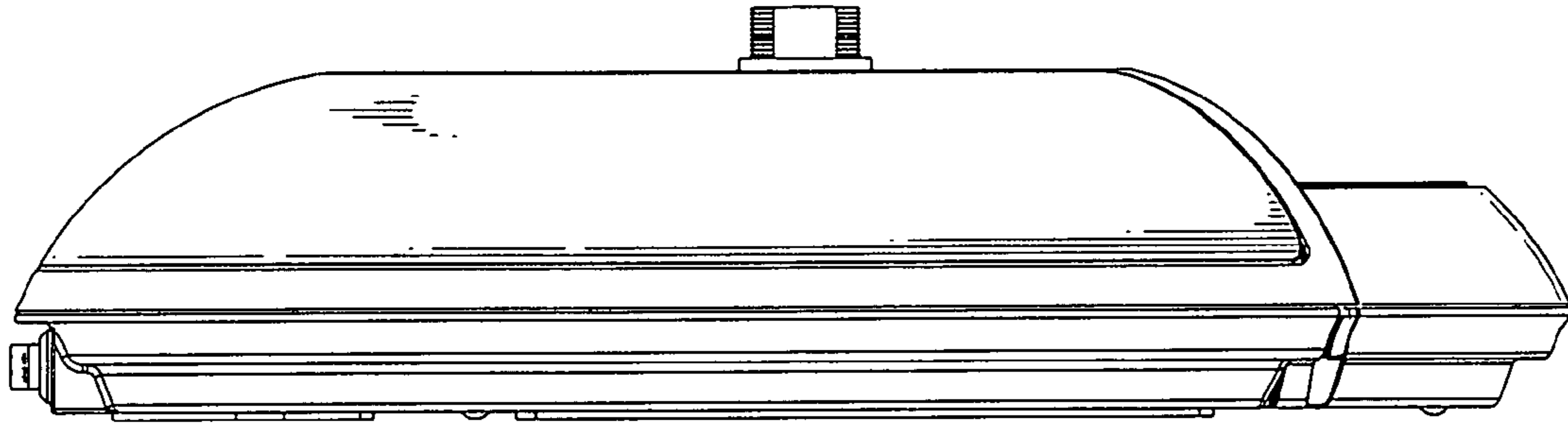


FIG. 4

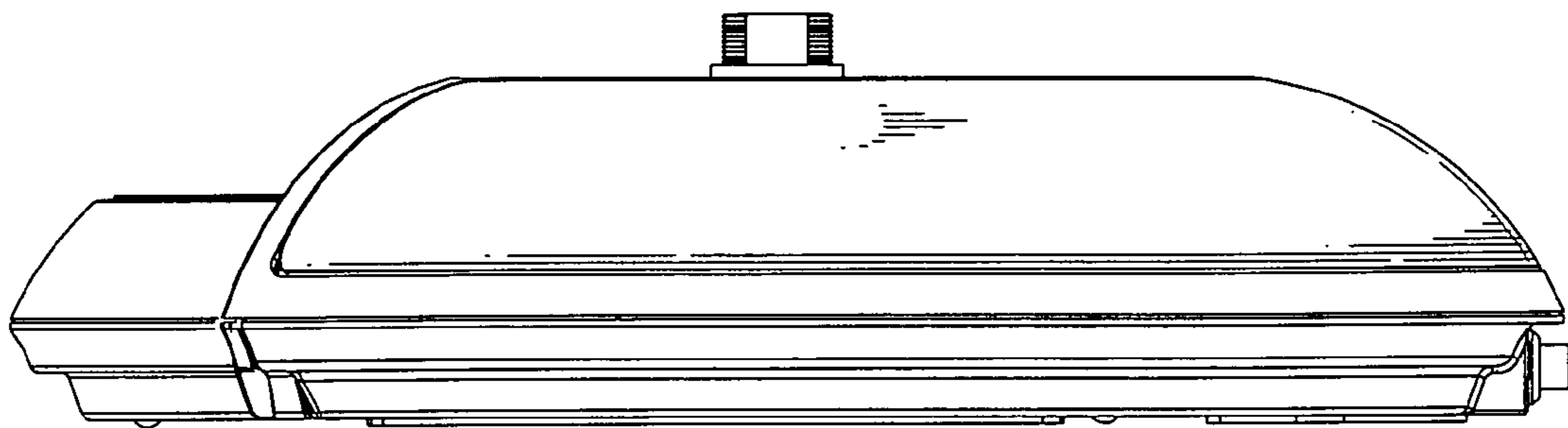


FIG. 5

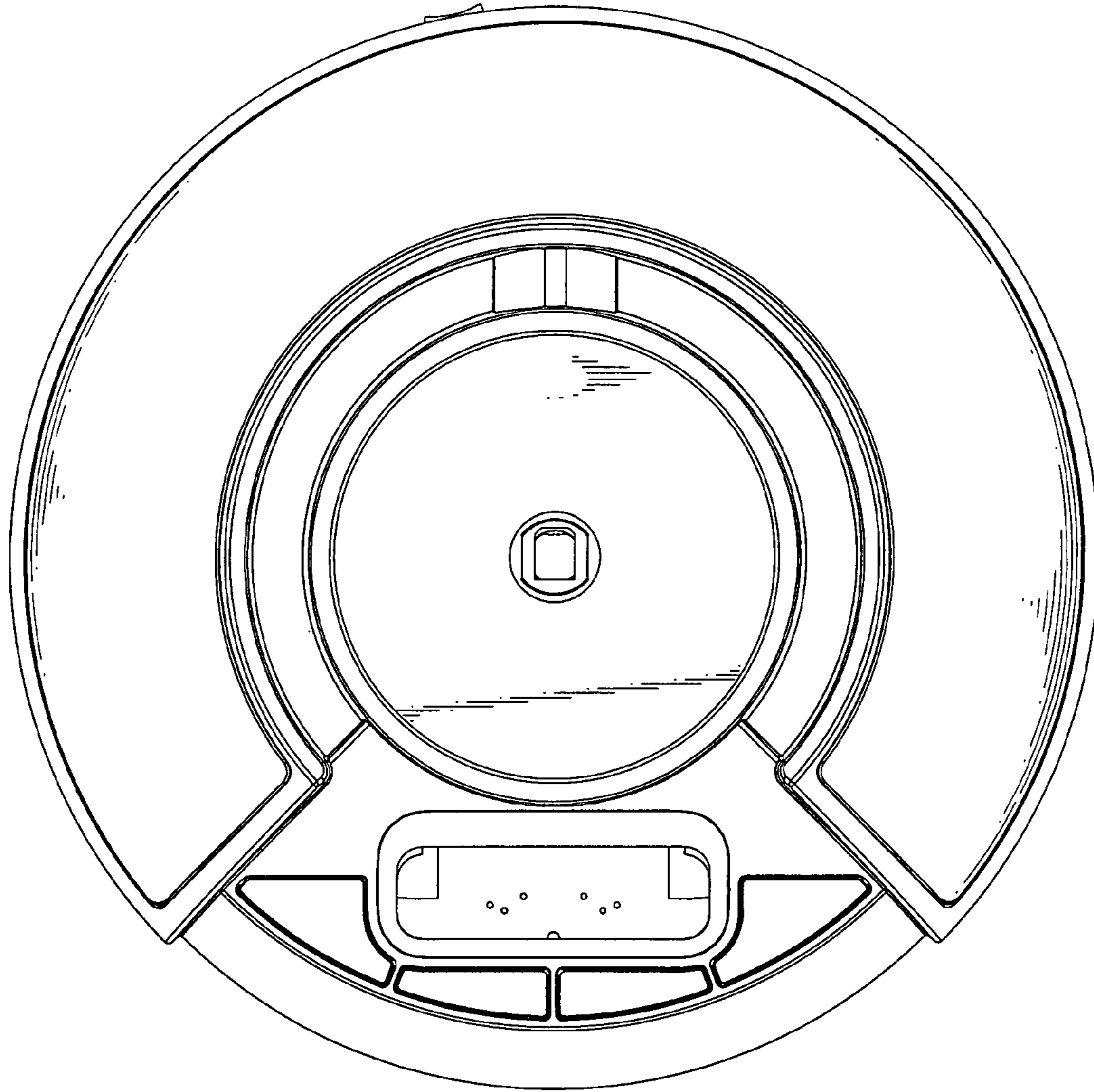


FIG. 6

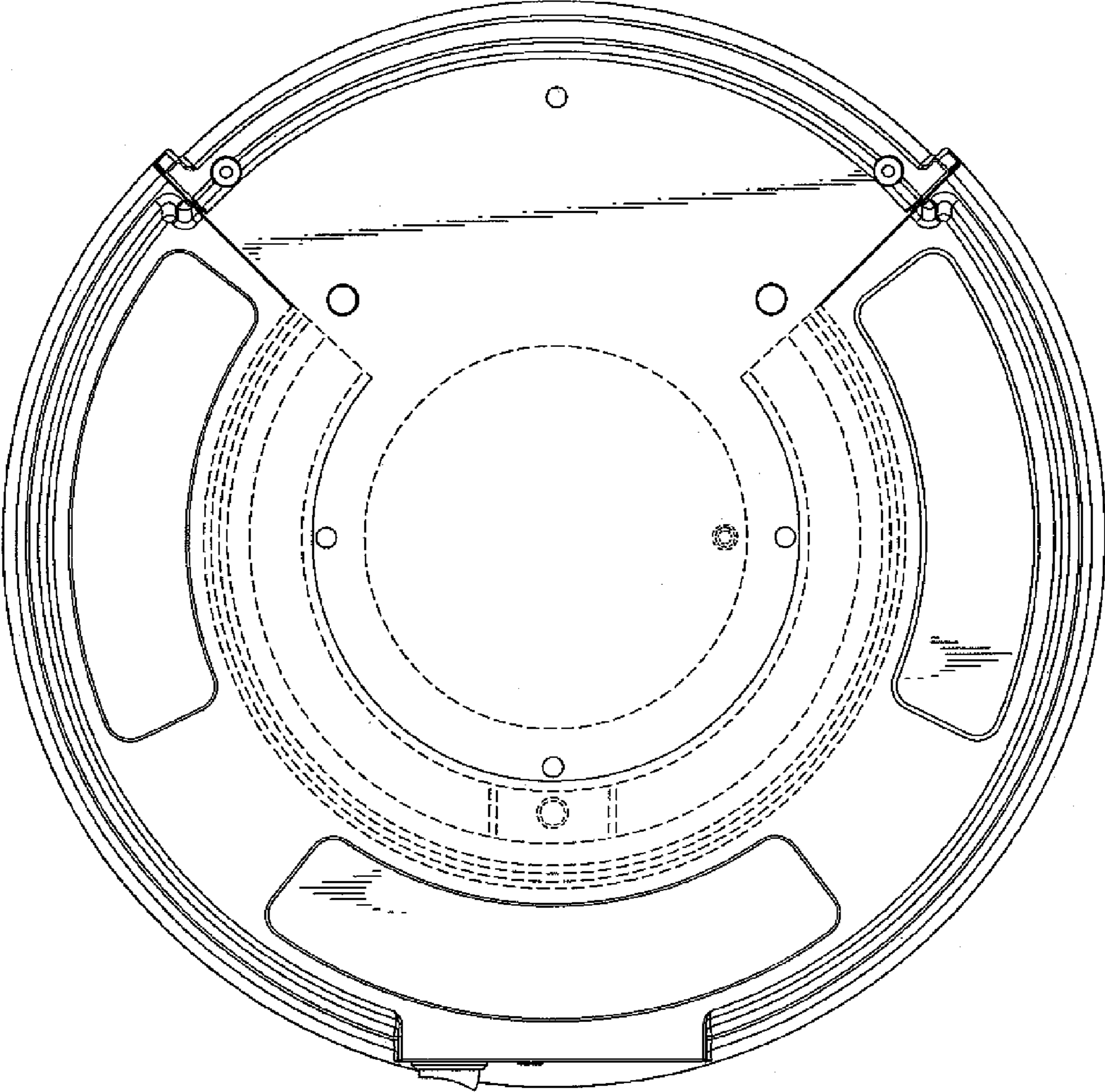


FIG. 7

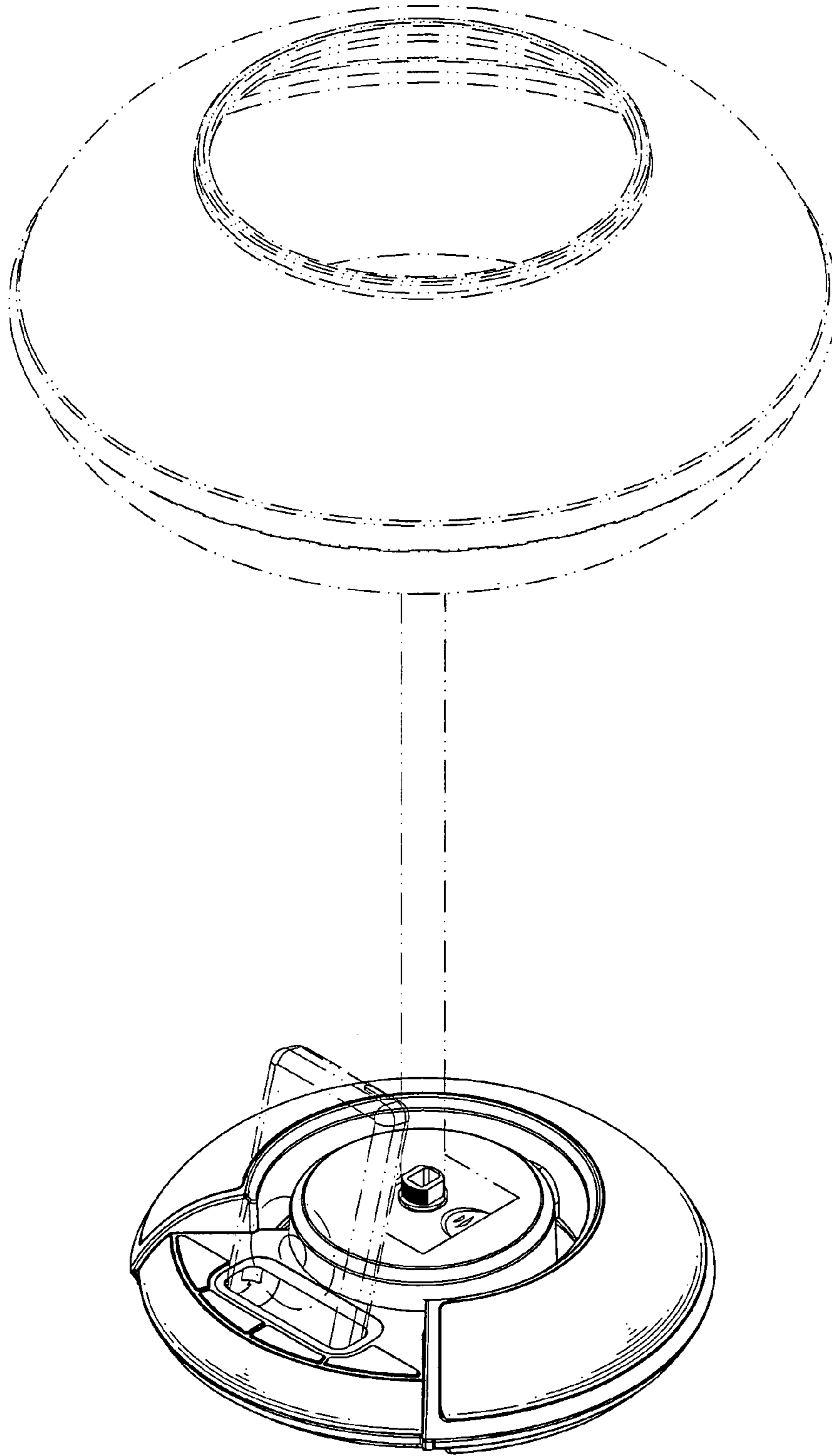


FIG. 8