



US00D590089S

(12) **United States Design Patent**
Citterio

(10) **Patent No.:** **US D590,089 S**

(45) **Date of Patent:** **** Apr. 7, 2009**

(54) **OUTDOOR WALL LAMP**

(75) Inventor: **Antonio Citterio**, Milan (IT)

(73) Assignee: **FLOS S.p.A.**, Bovezzo, Brescia (IT)

(**) Term: **14 Years**

(21) Appl. No.: **29/295,618**

(22) Filed: **Oct. 2, 2007**

(30) **Foreign Application Priority Data**

Apr. 16, 2007 (EM) 000707757-0008

(51) **LOC (9) Cl.** **26-03**

(52) **U.S. Cl.** **D26/87**

(58) **Field of Classification Search** D26/72,
D26/85-87, 92, 118; 362/147, 432, 806,
362/351, 355, 356, 363, 370

See application file for complete search history.

(56) **References Cited**

U.S. PATENT DOCUMENTS

D308,261 S * 5/1990 Shemitz D26/87

D311,256 S * 10/1990 Frattini D26/87

D337,842 S * 7/1993 Yuen D26/65
D482,487 S * 11/2003 Russello et al. D26/87
D501,947 S * 2/2005 Haugaard et al. D26/71
D527,134 S * 8/2006 Bagen D26/71

* cited by examiner

Primary Examiner—Clare E Heflin

(74) *Attorney, Agent, or Firm*—McGlew and Tuttle, P.C.

(57) **CLAIM**

The ornamental design for the outdoor wall lamp, as shown and described.

DESCRIPTION

FIG. 1 is a perspective view of my new outdoor wall lamp design;

FIG. 2 is a front elevation view thereof;

FIG. 3 is a rear elevation view thereof;

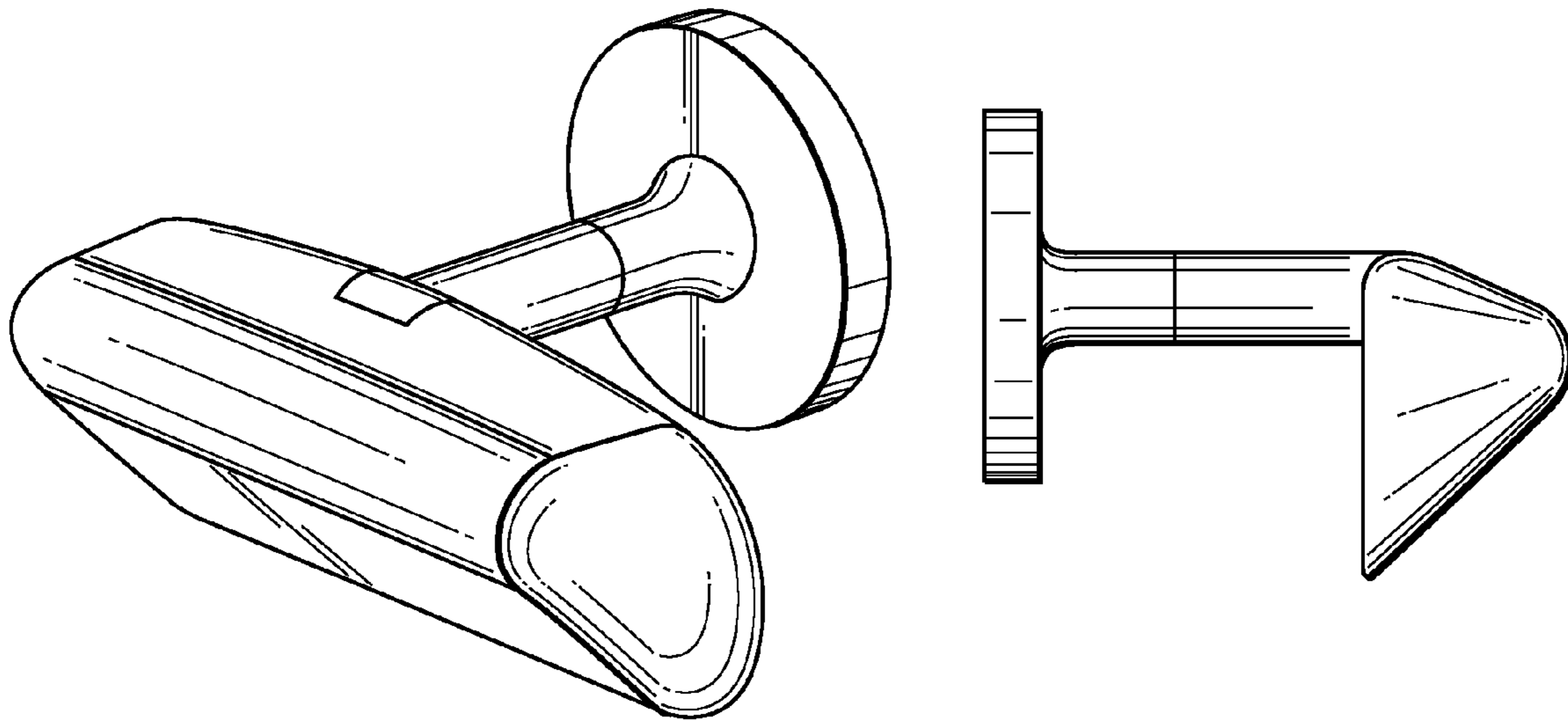
FIG. 4 is a top view thereof;

FIG. 5 is a bottom view thereof;

FIG. 6 is a right side view thereof; and,

FIG. 7 is a left side view thereof.

1 Claim, 3 Drawing Sheets



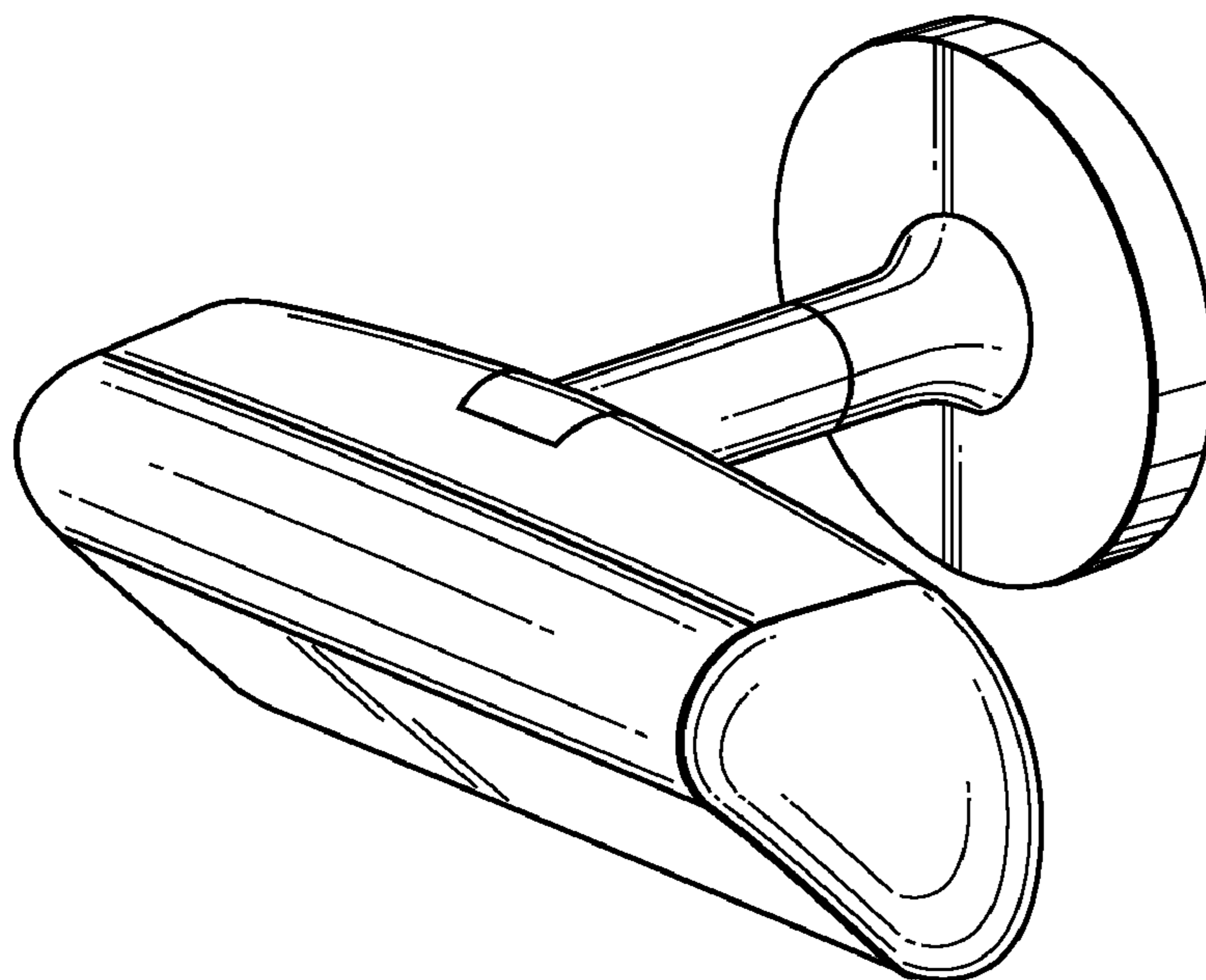


FIG. 1

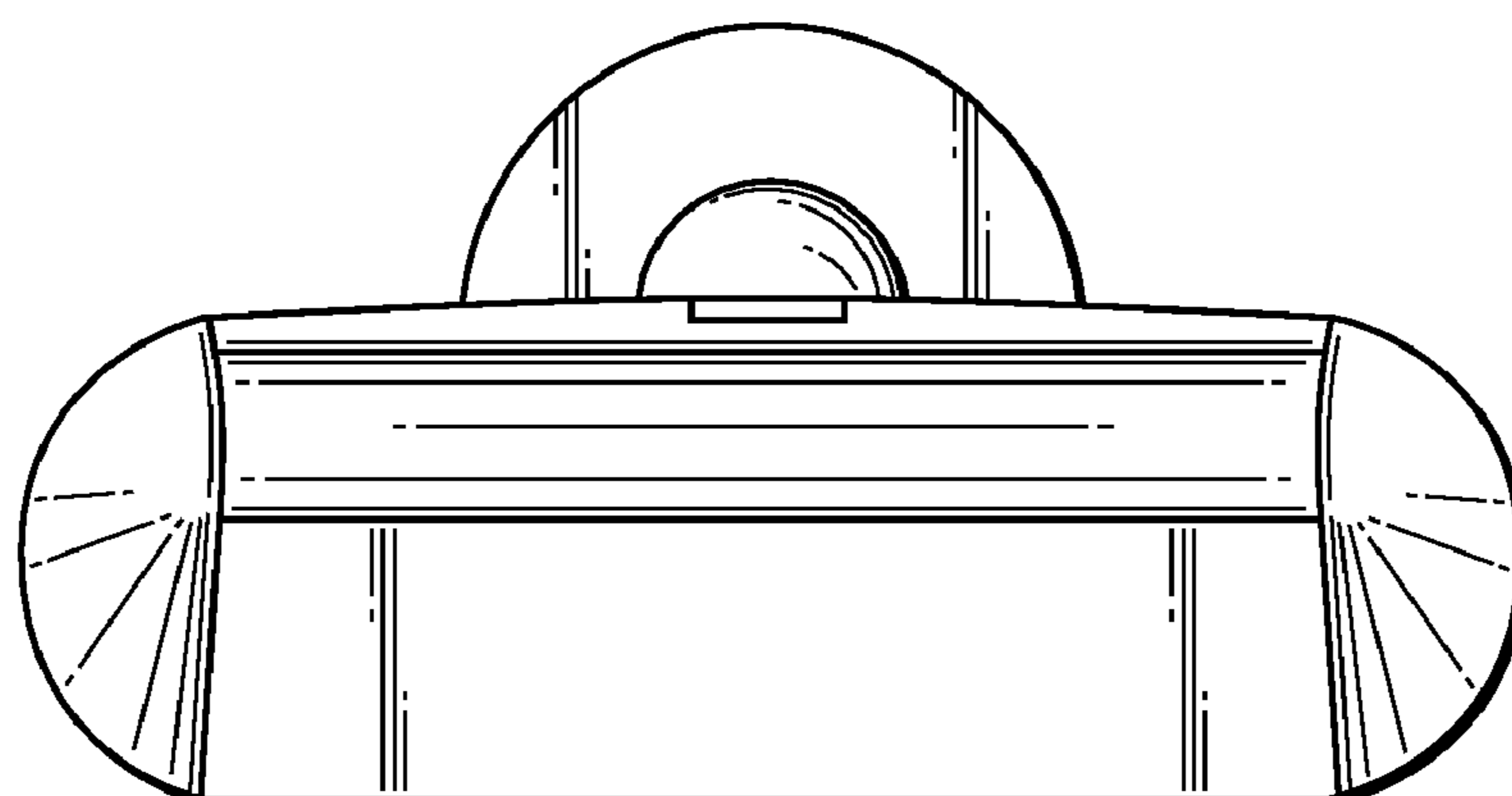


FIG. 2

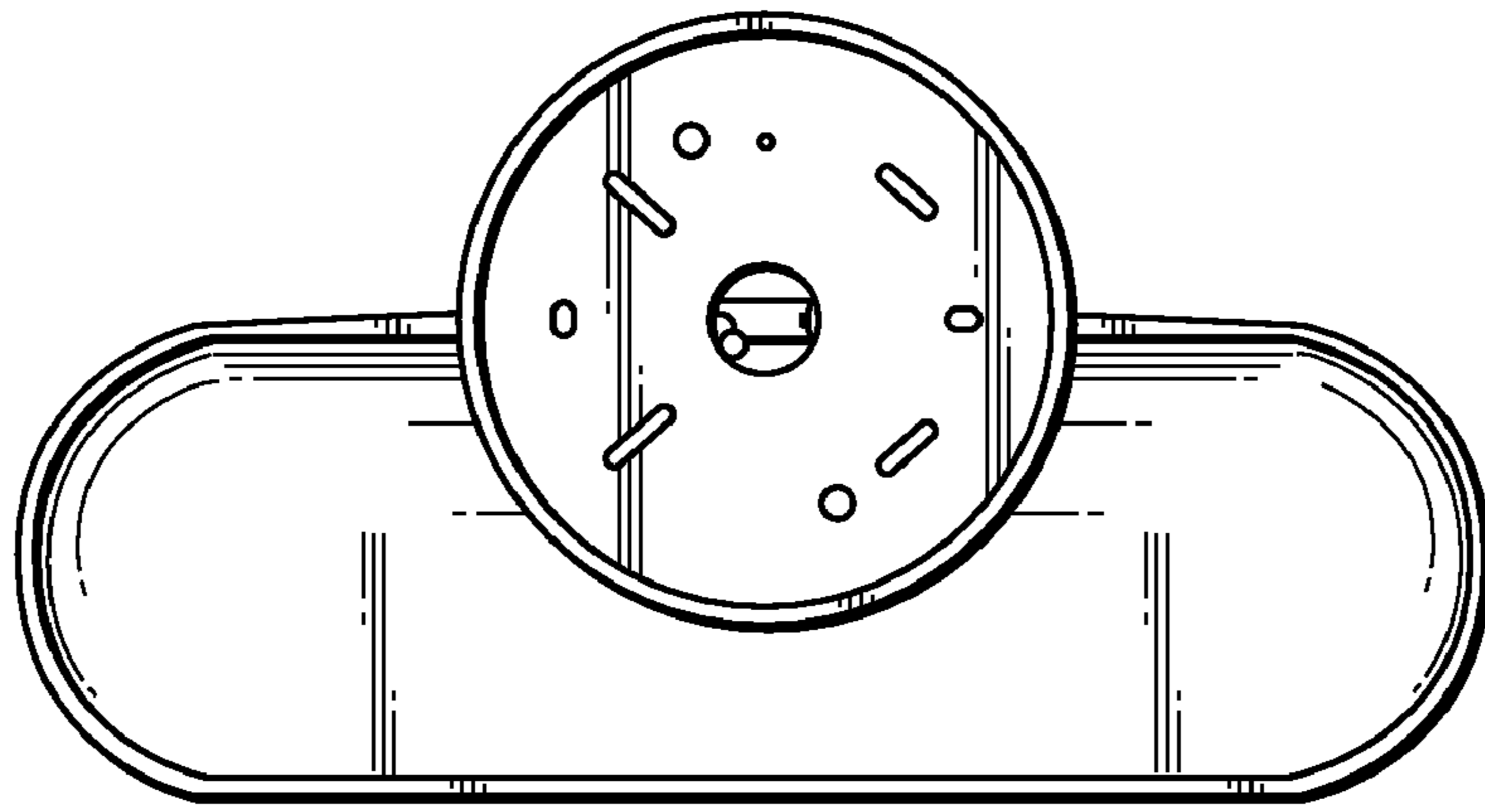


FIG. 3

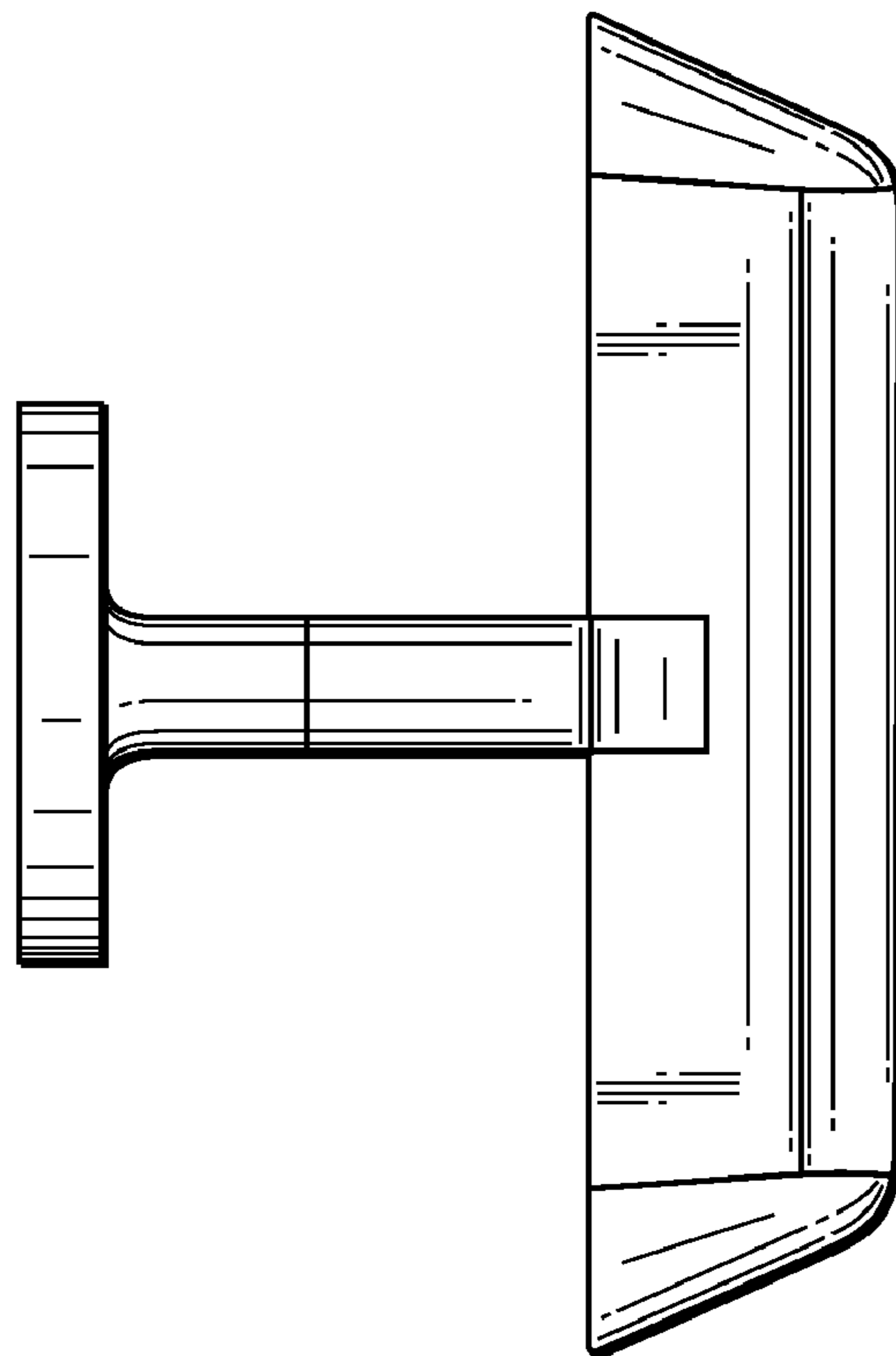


FIG. 4

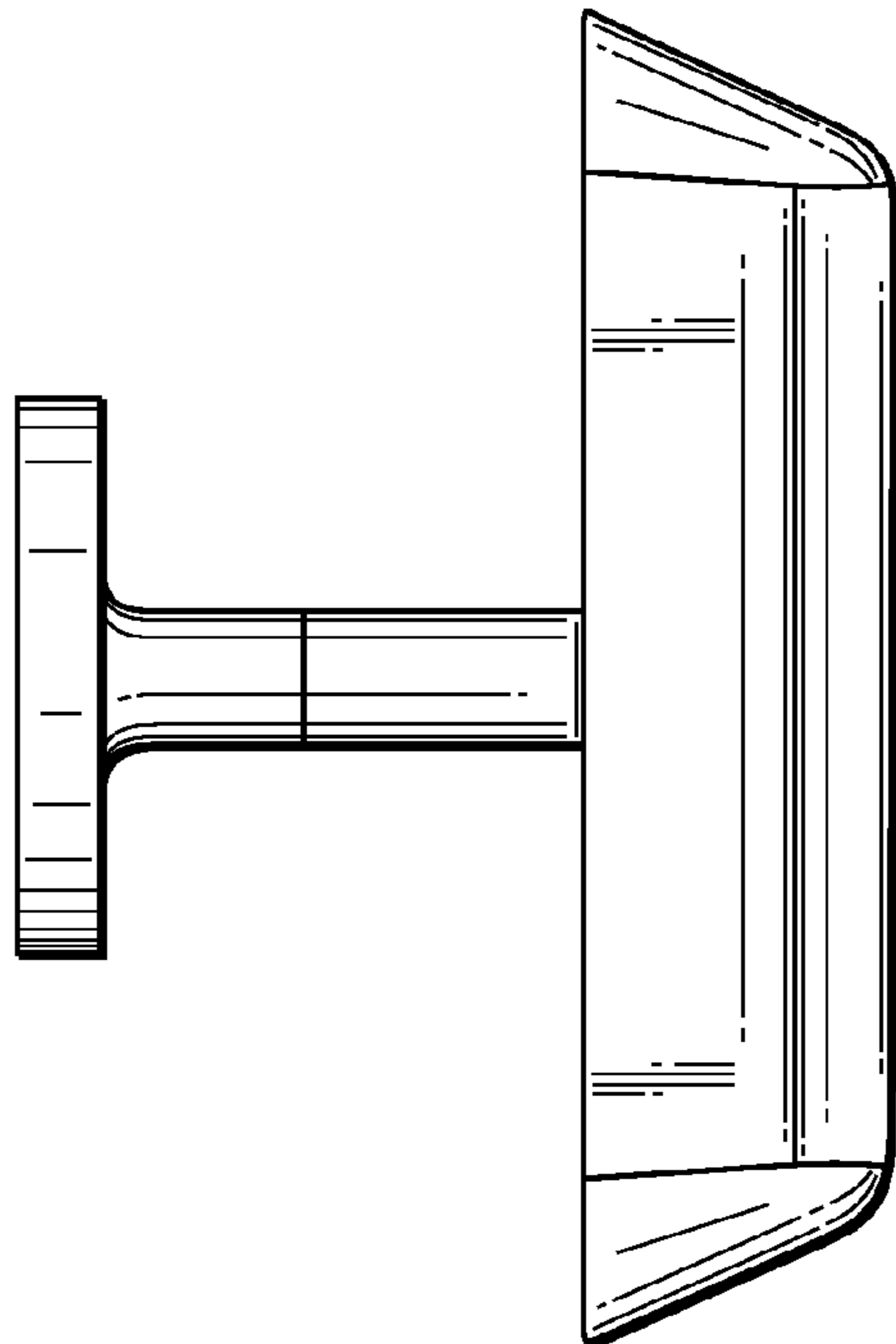


FIG. 5

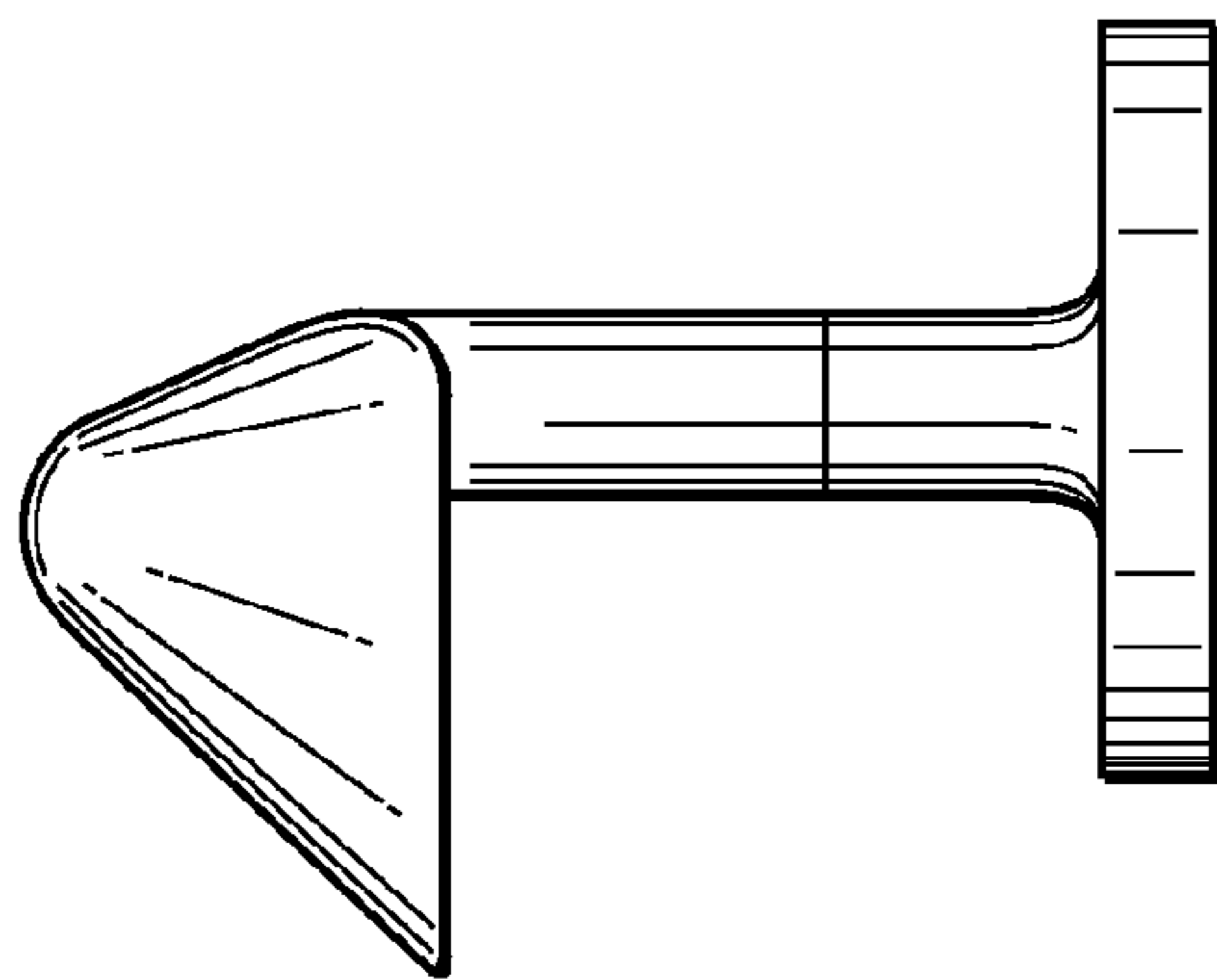


FIG. 6

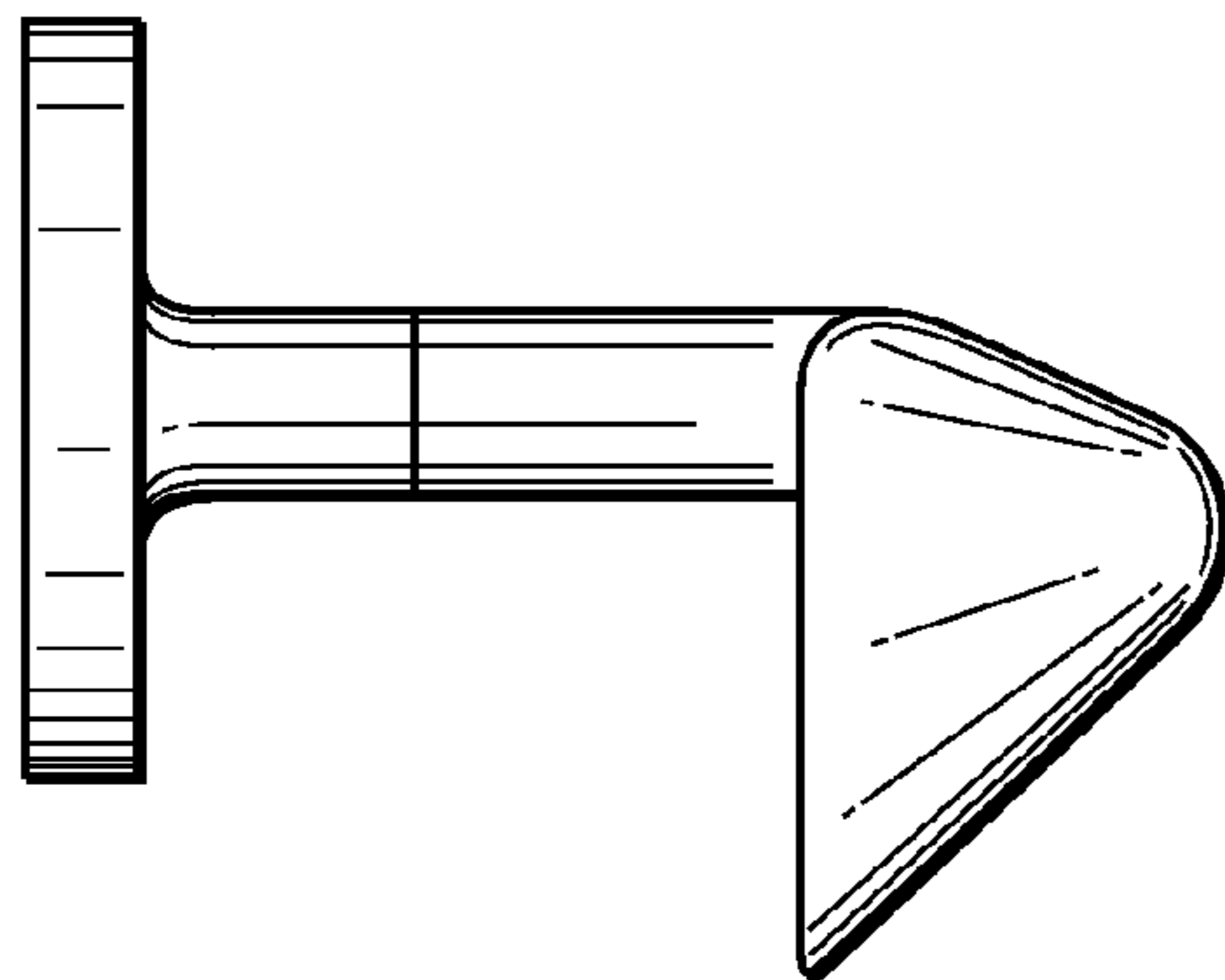


FIG. 7