



US00D590085S

(12) **United States Design Patent**
Irvine

(10) **Patent No.:** **US D590,085 S**

(45) **Date of Patent:** **** Apr. 7, 2009**

(54) **LIGHT**

(75) Inventor: **James Irvine**, Milan (IT)

(73) Assignee: **Zumtobel Lighting GmbH & Co. KG**,
Lemgo (DE)

(**) Term: **14 Years**

(21) Appl. No.: **29/296,241**

(22) Filed: **Oct. 16, 2007**

(51) **LOC (9) Cl.** **26-05**

(52) **U.S. Cl.** **D26/63**

(58) **Field of Classification Search** D26/24,
D26/60-67, 85; 362/285, 287, 418, 419,
362/427, 147, 269, 271, 275, 291, 310, 311,
362/362, 296, 159, 187, 266

See application file for complete search history.

(56) **References Cited**

U.S. PATENT DOCUMENTS

- D167,863 S * 9/1952 Schreckengost D26/87
- D206,284 S * 11/1966 Ota D26/72
- D257,903 S * 1/1981 Scholze et al. D26/93
- 4,384,271 A * 5/1983 Visser 362/296

- 4,480,294 A * 10/1984 Carboni 362/184
- 4,532,580 A * 7/1985 Bout 362/306
- D320,461 S * 10/1991 Pagani et al. D26/87
- D348,744 S * 7/1994 Johnson et al. D26/63
- 7,364,319 B2 * 4/2008 Canella 362/158

* cited by examiner

Primary Examiner—Cathron C Brooks

Assistant Examiner—Barbara Fox

(74) *Attorney, Agent, or Firm*—Marshall, Gerstein & Borun
LLP

(57) **CLAIM**

The ornamental design for a light, as shown and described.

DESCRIPTION

FIG. 1 is a perspective view of a light showing the new design.

FIG. 2 is a top view of the light of FIG. 1.

FIG. 3 is another perspective view of the light.

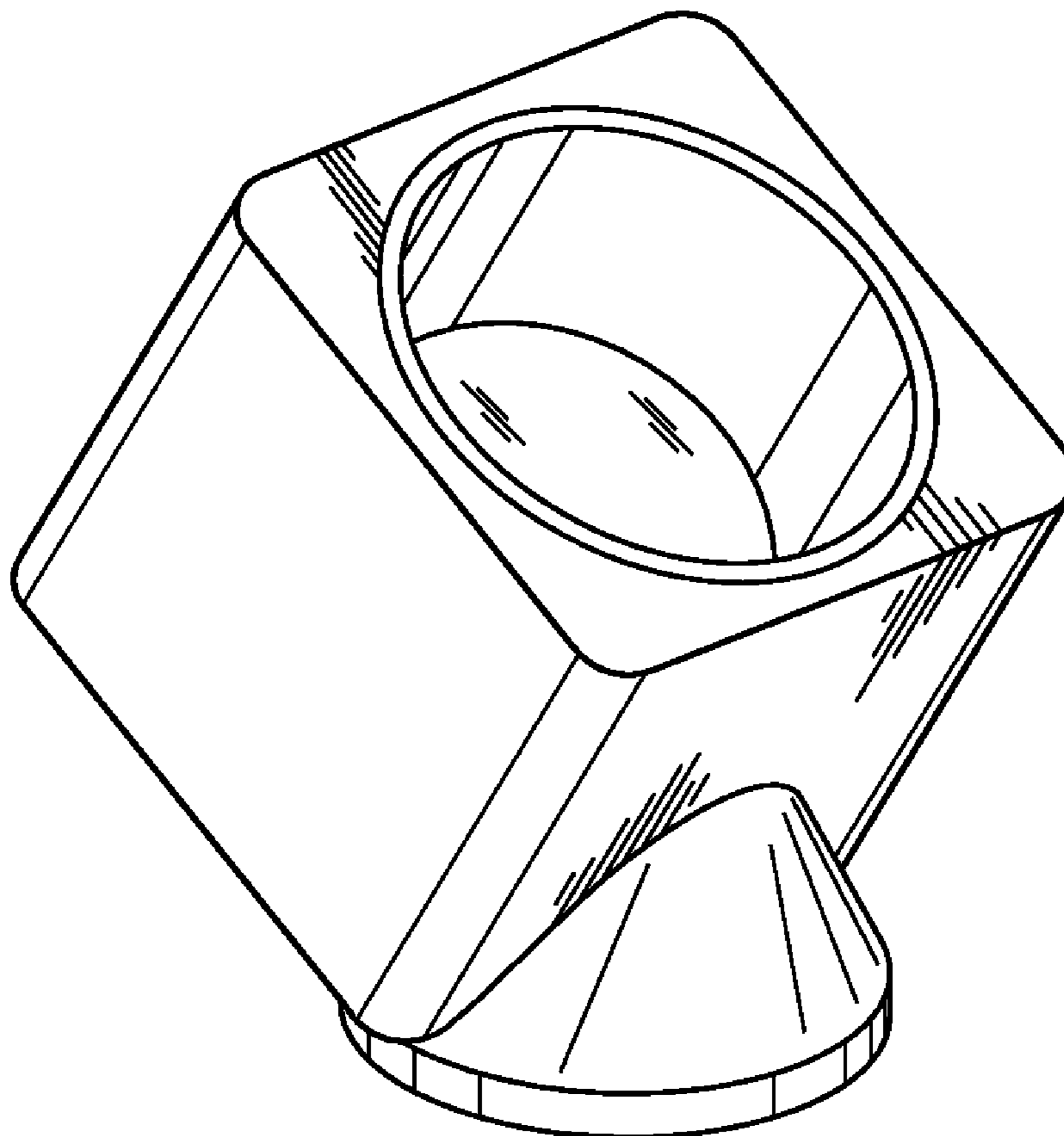
FIG. 4 is a back view of the light.

FIG. 5 is a bottom view of the light.

FIG. 6 is a side view of the light; and,

FIG. 7 is an opposite side view of the light.

1 Claim, 3 Drawing Sheets



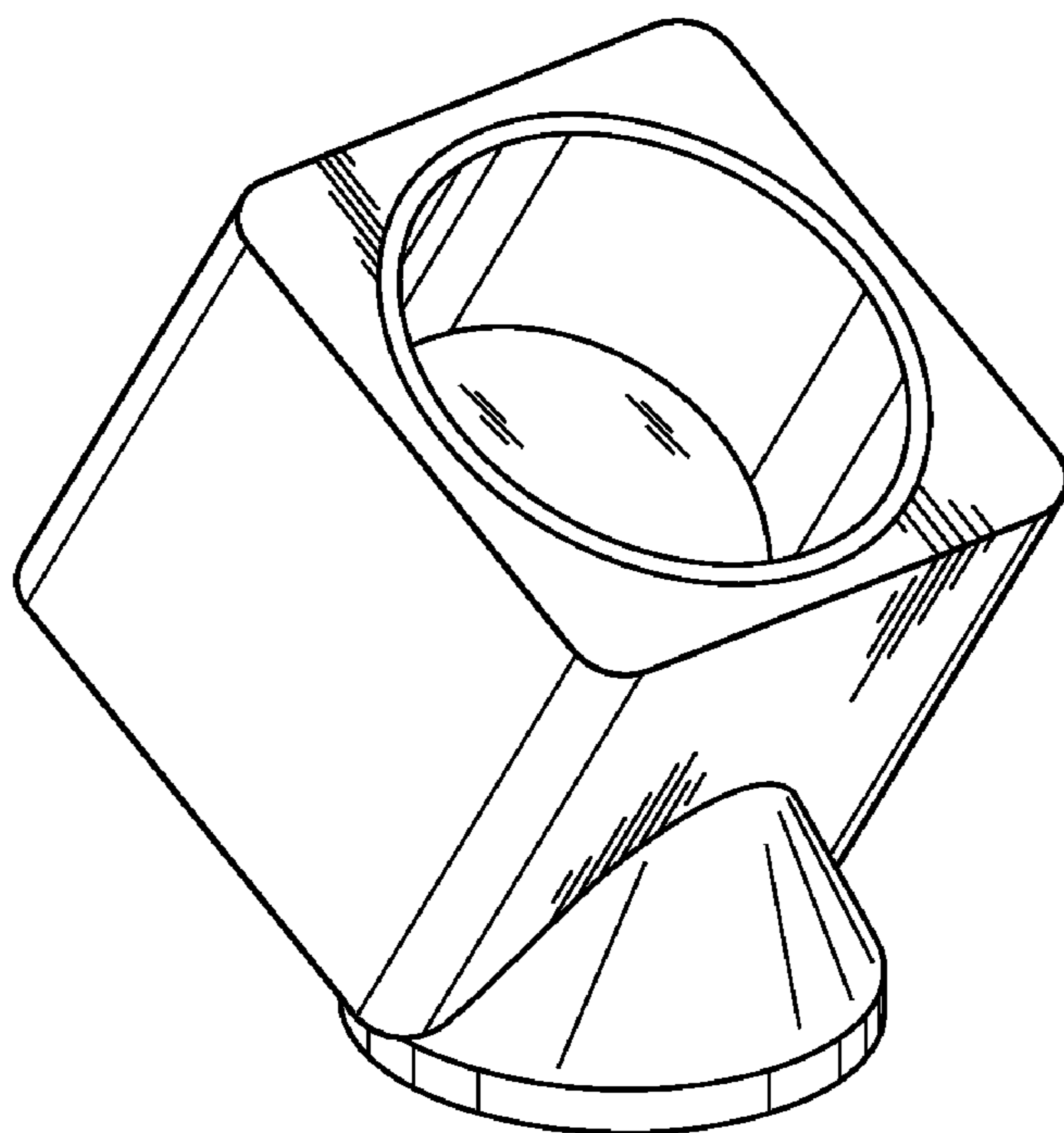


FIG. 1

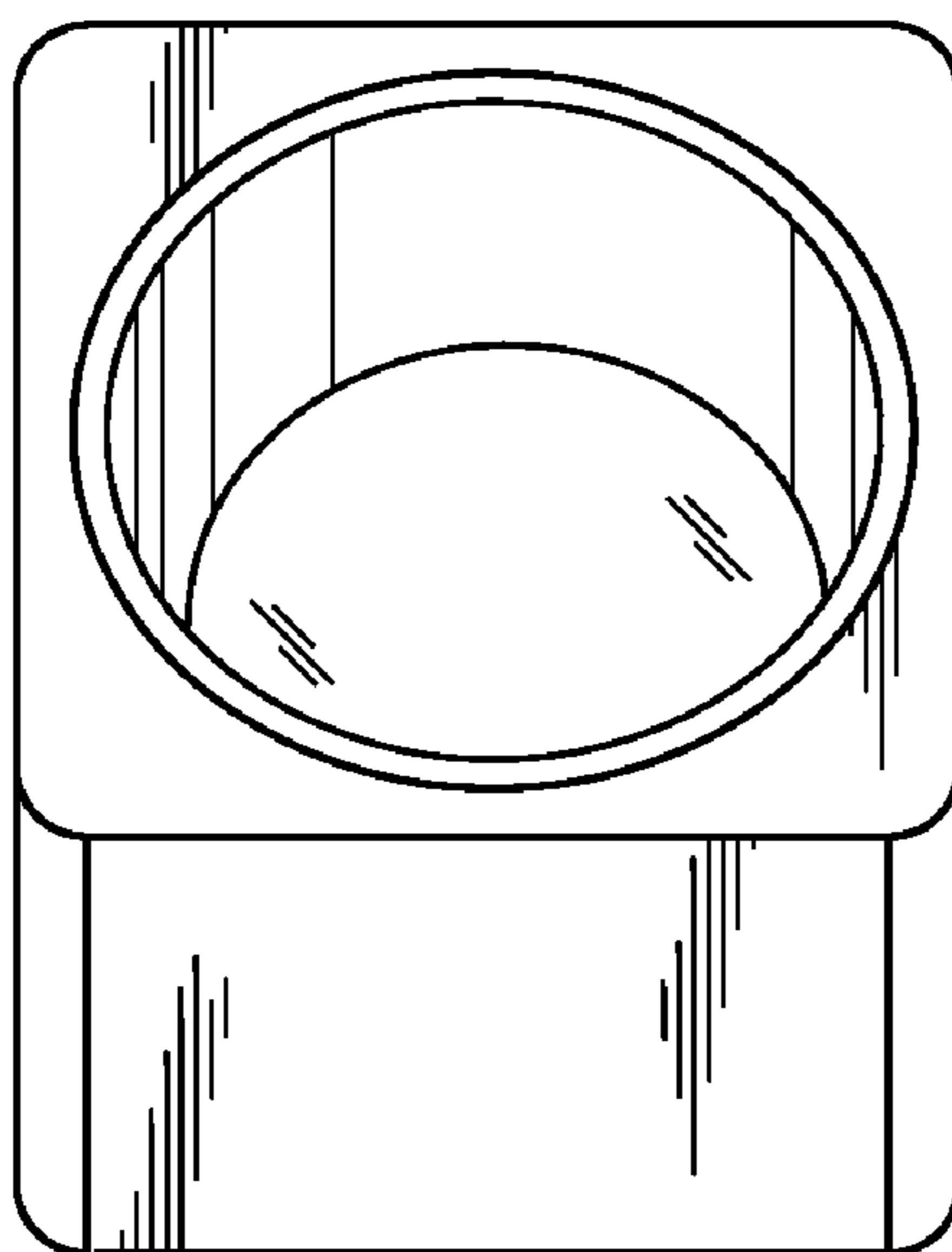


FIG. 2

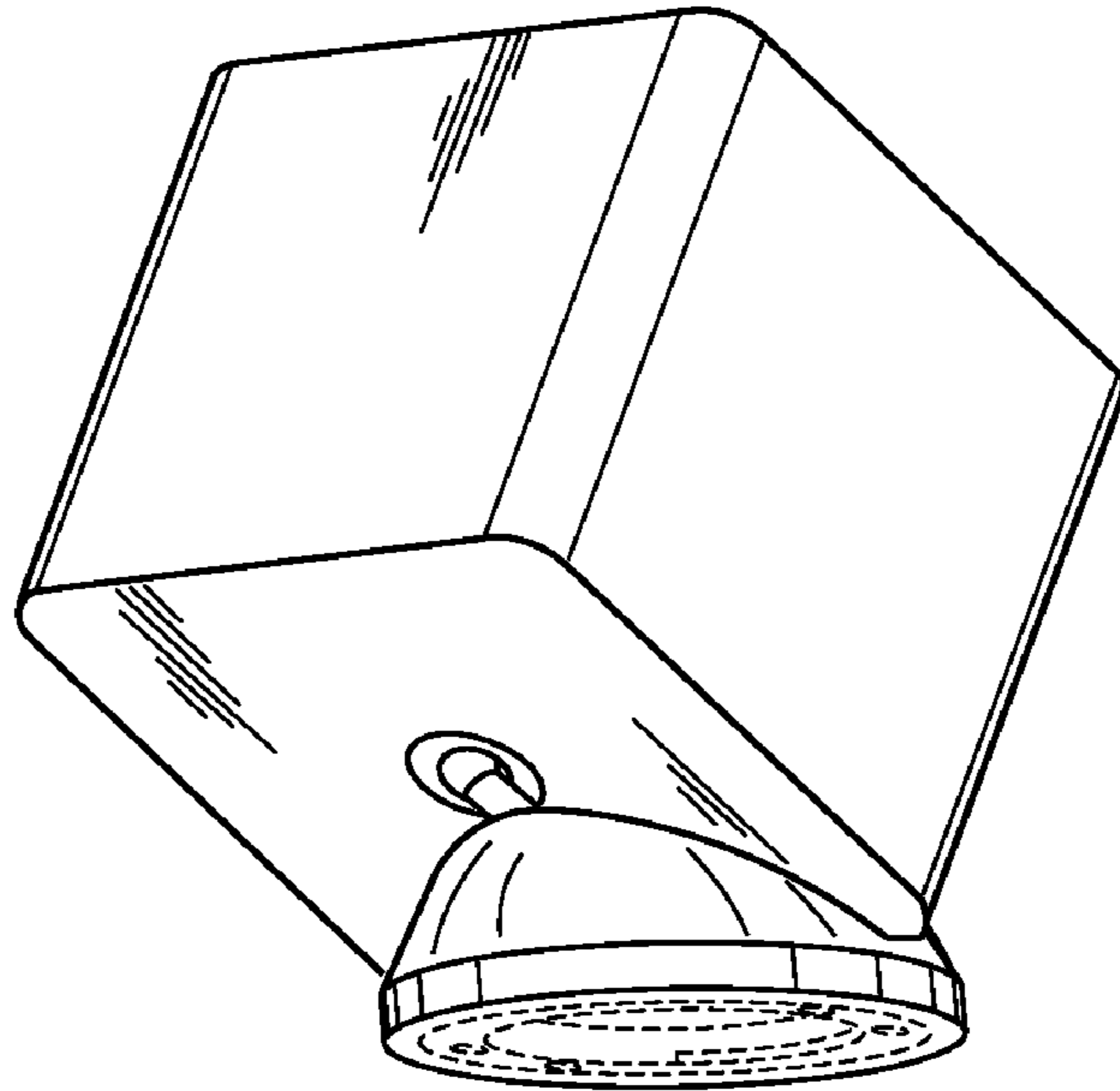


FIG. 3

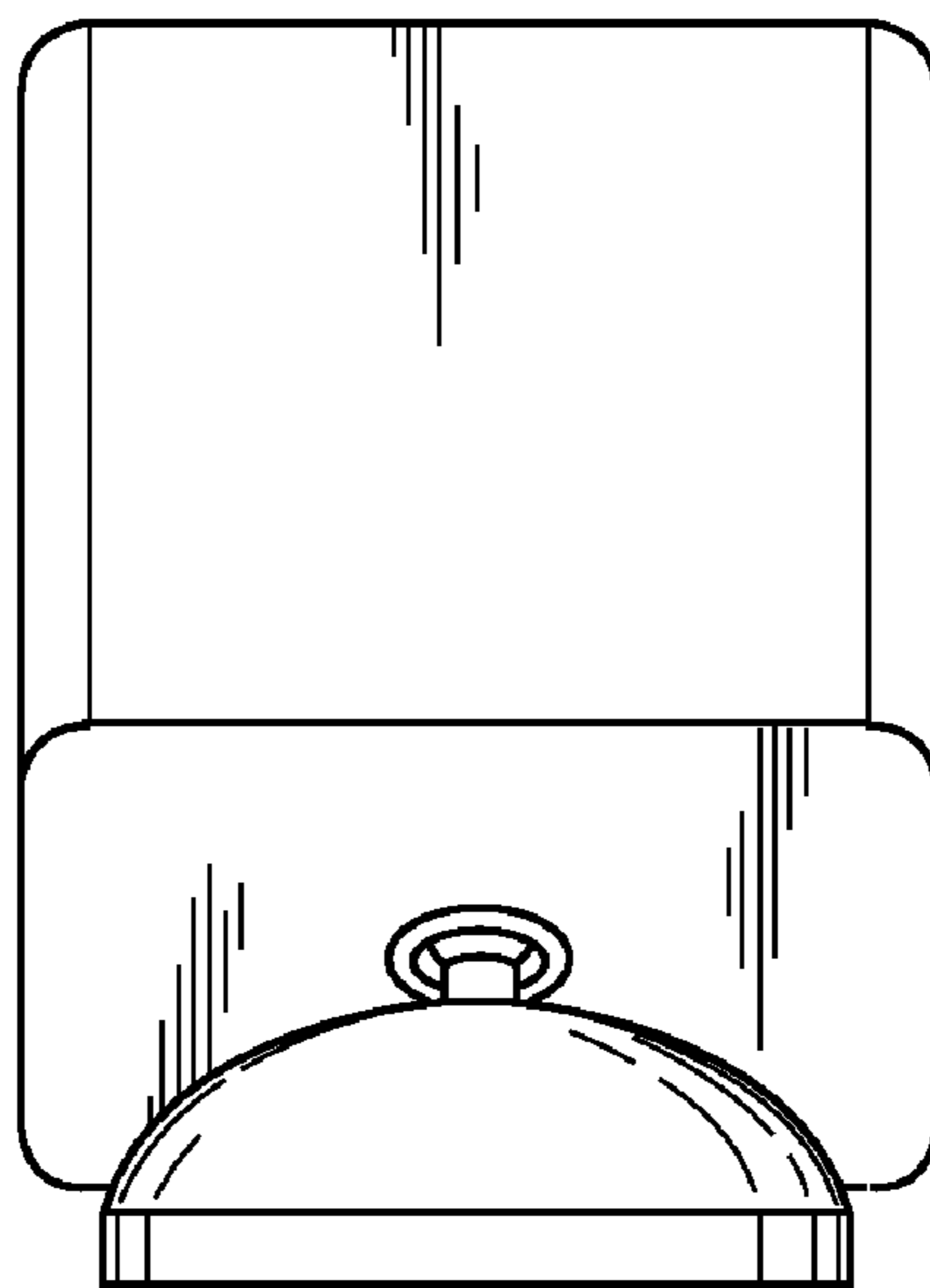


FIG. 4

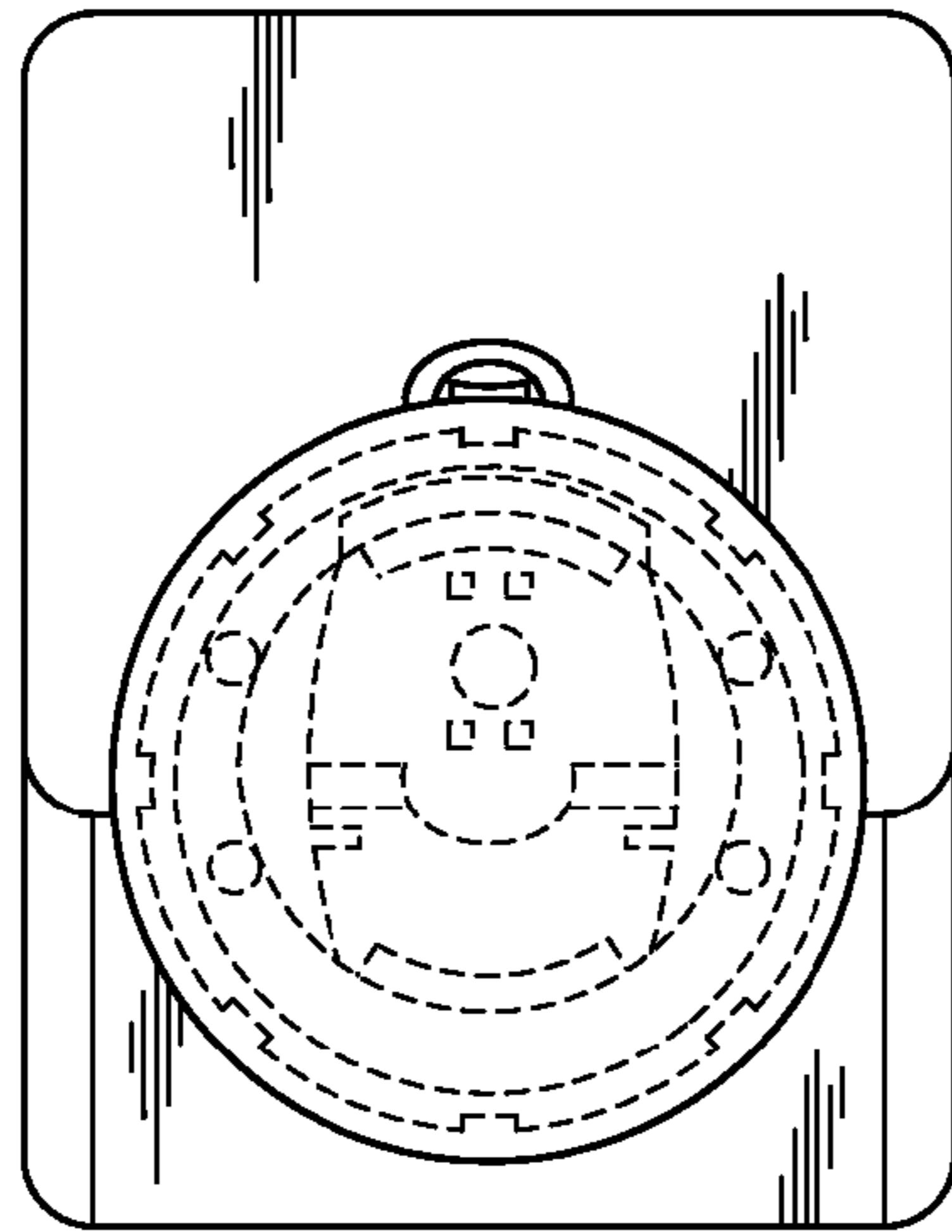


FIG. 5

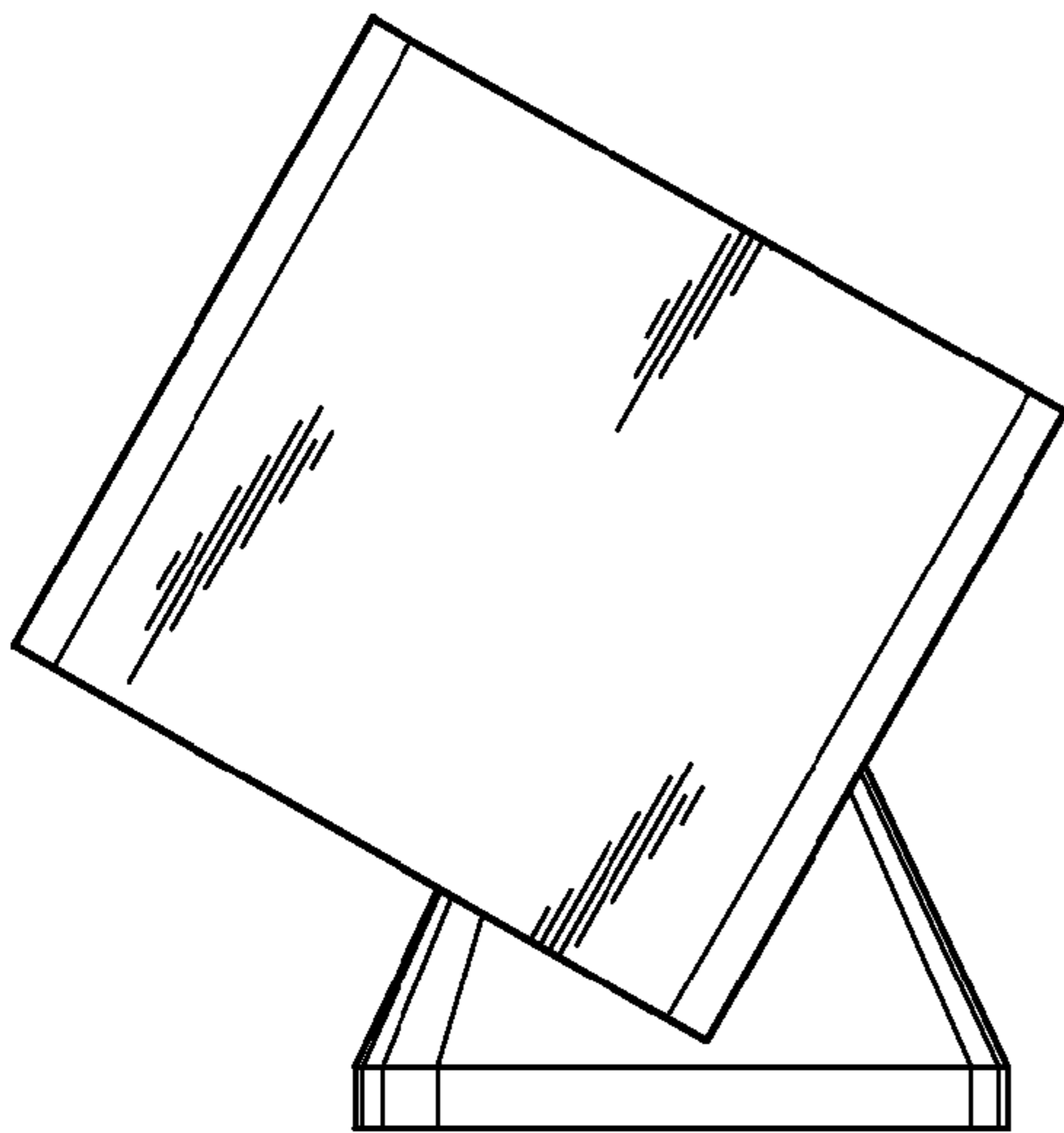


FIG. 6

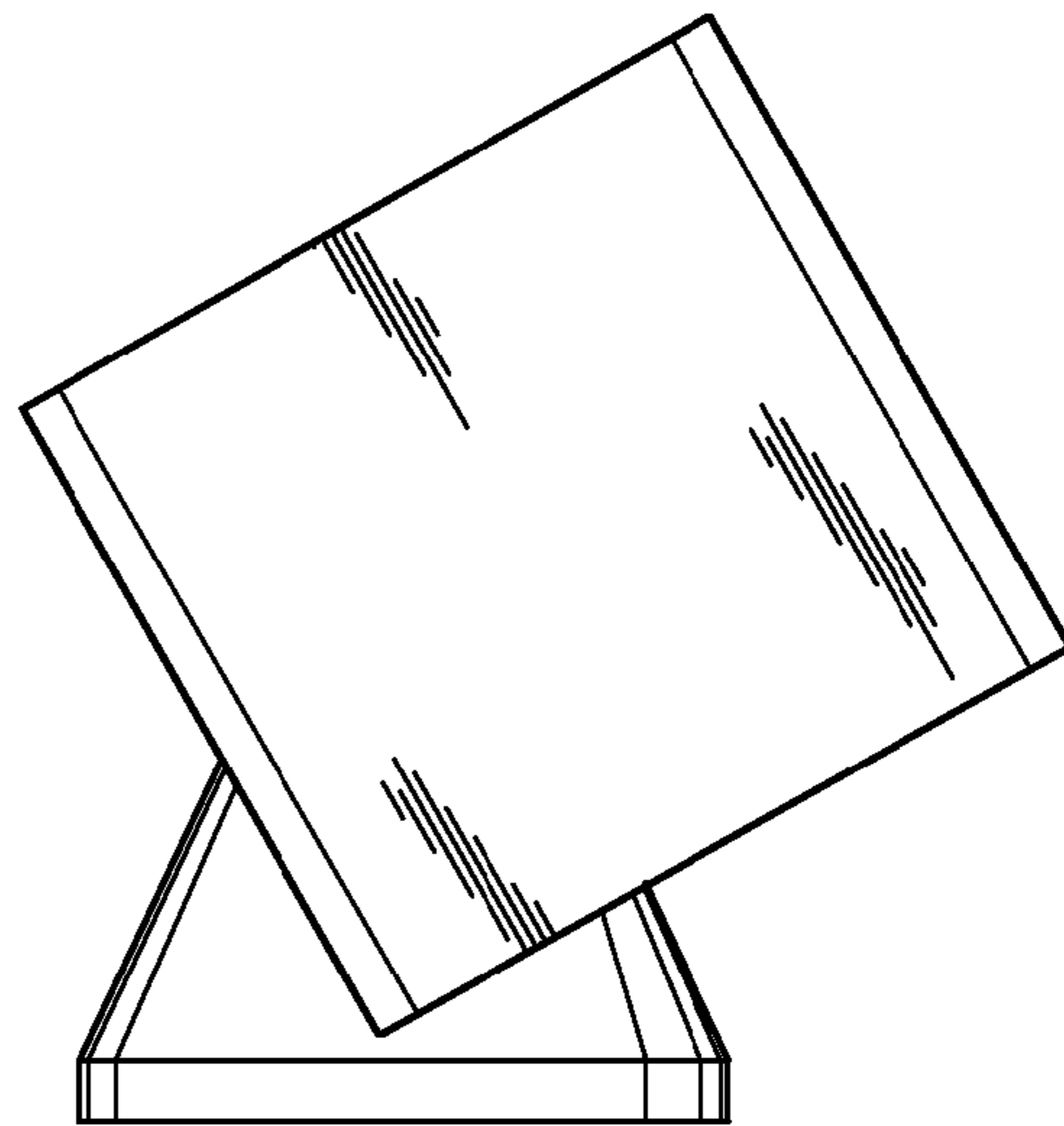


FIG. 7