



US00D590084S

(12) **United States Design Patent**
Witte

(10) **Patent No.:** **US D590,084 S**

(45) **Date of Patent:** **** Apr. 7, 2009**

(54) **ELECTRIC TORCH**

(75) Inventor: **Waldemar Witte, Mainz (DE)**

(73) Assignee: **Witte & Sutor Gesellschaft mit
beschränkter Haftung, Murrhardt (DE)**

(**) Term: **14 Years**

(21) Appl. No.: **29/272,278**

(22) Filed: **Feb. 5, 2007**

(30) **Foreign Application Priority Data**

Aug. 4, 2006 (EM) 000577358-0003

(51) **LOC (9) Cl.** **26-02**

(52) **U.S. Cl.** **D26/46; D27/141; D13/144**

(58) **Field of Classification Search** D26/1,
D26/8, 37, 40, 46, 49; 362/555, 800; D13/144;
D27/139, 141-142, 152

See application file for complete search history.

(56) **References Cited**

U.S. PATENT DOCUMENTS

D108,458 S * 2/1938 Sinko D27/141

2,727,976 A * 12/1955 Cone 219/267
D298,778 S * 11/1988 Honjo D27/141
D525,937 S * 8/2006 Seil et al. D13/144
D525,938 S * 8/2006 Seil et al. D13/144
D544,622 S * 6/2007 Cheng D26/46

* cited by examiner

Primary Examiner—Ian Simmons

Assistant Examiner—Dana L Sipos

(74) *Attorney, Agent, or Firm*—Brinks Hofer Gilson & Lione

(57) **CLAIM**

The ornamental design for an electric torch, as shown and described.

DESCRIPTION

FIG. 1 is a top, front, left side perspective view of an electric torch showing my new design;

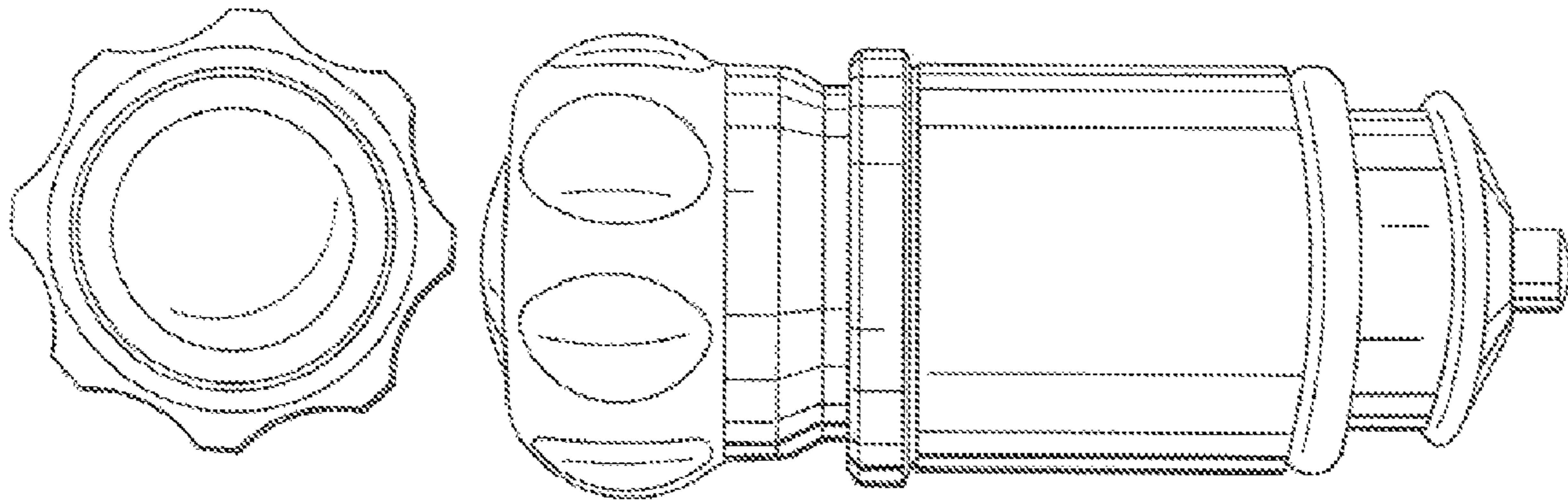
FIG. 2 is a bottom, rear, right side perspective view thereof;

FIG. 3 is a front elevation view thereof;

FIG. 4 is a rear elevation view thereof; and,

FIG. 5 is a side elevation view thereof.

1 Claim, 2 Drawing Sheets



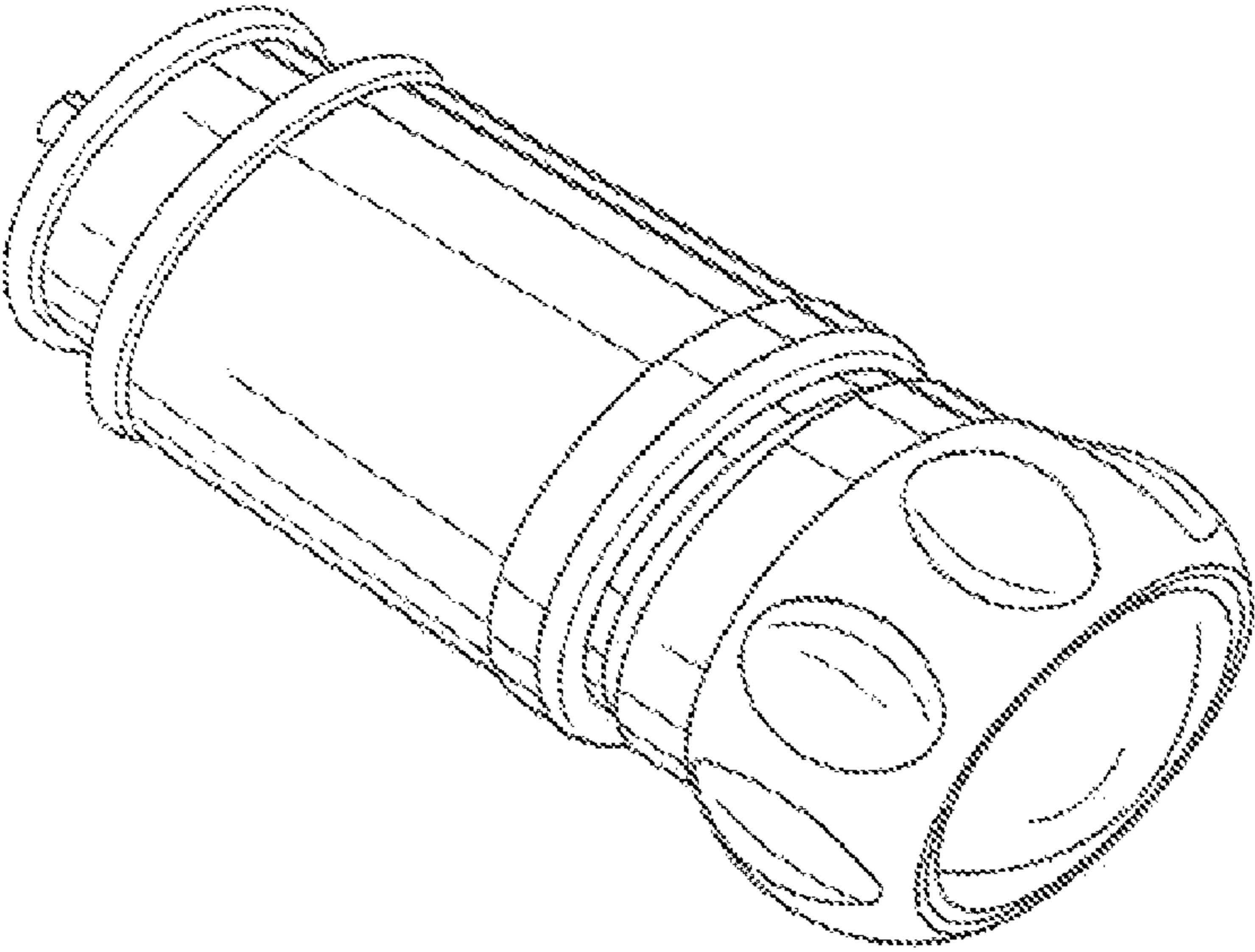


FIG. 1

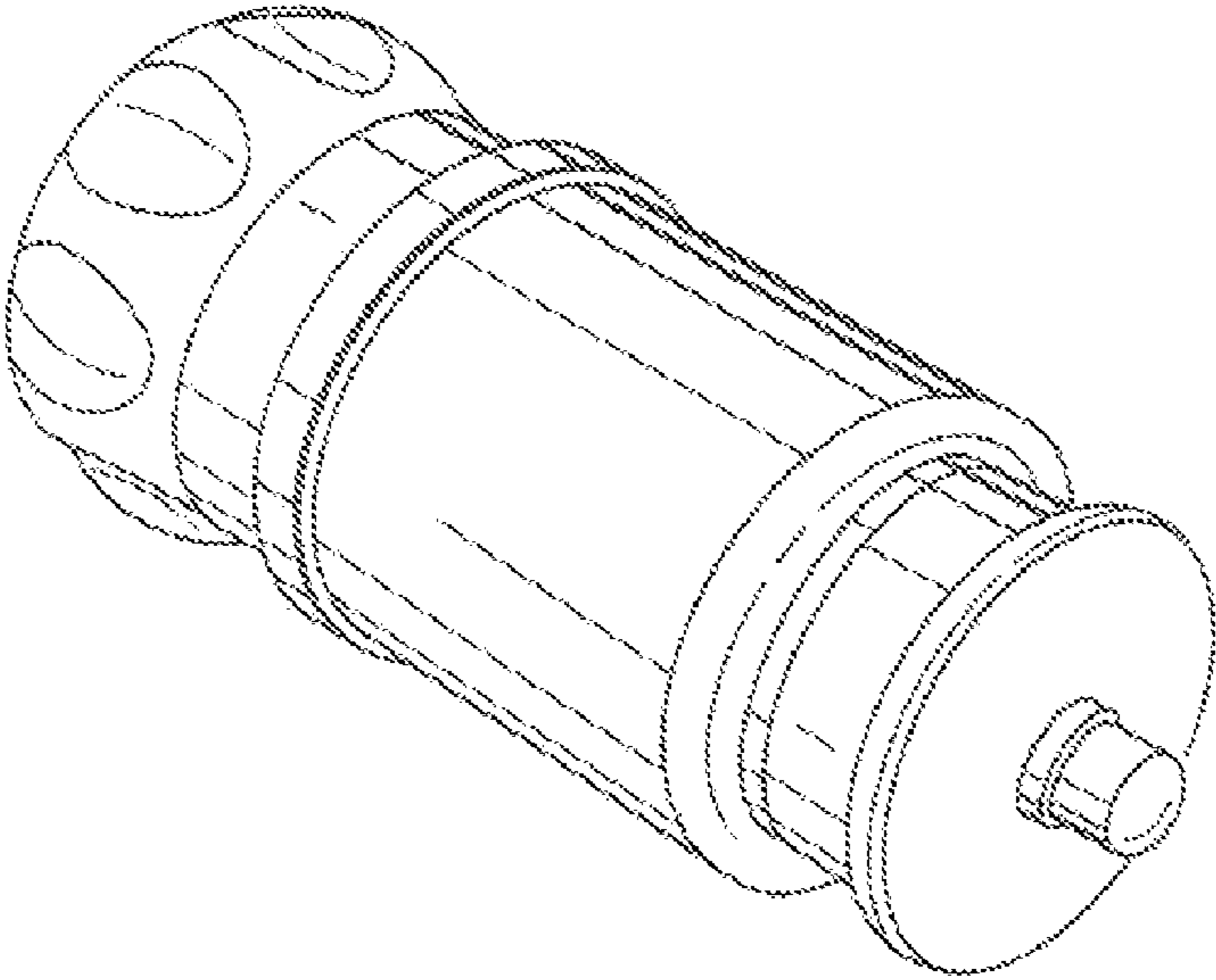


FIG. 2

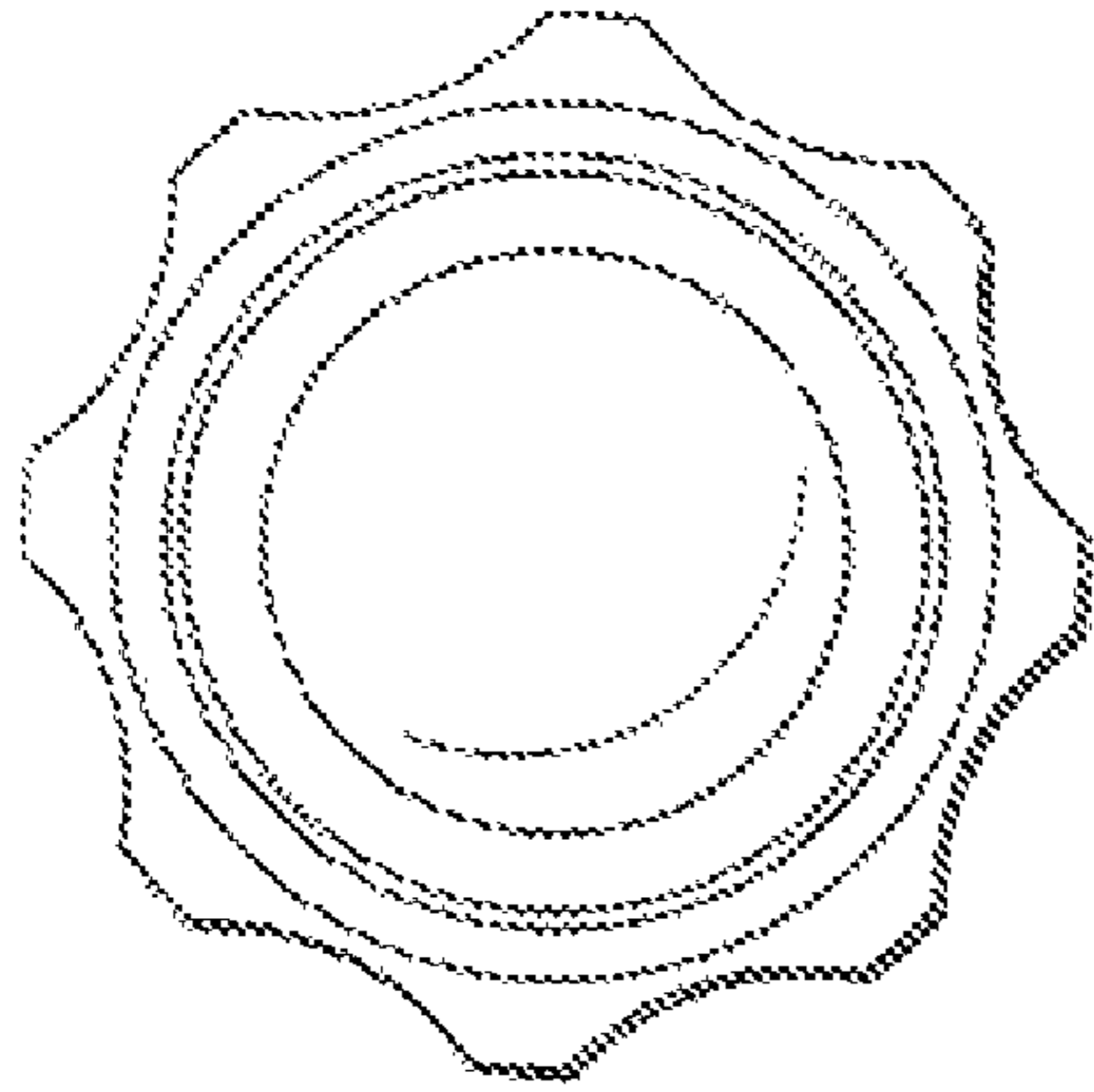


FIG. 3

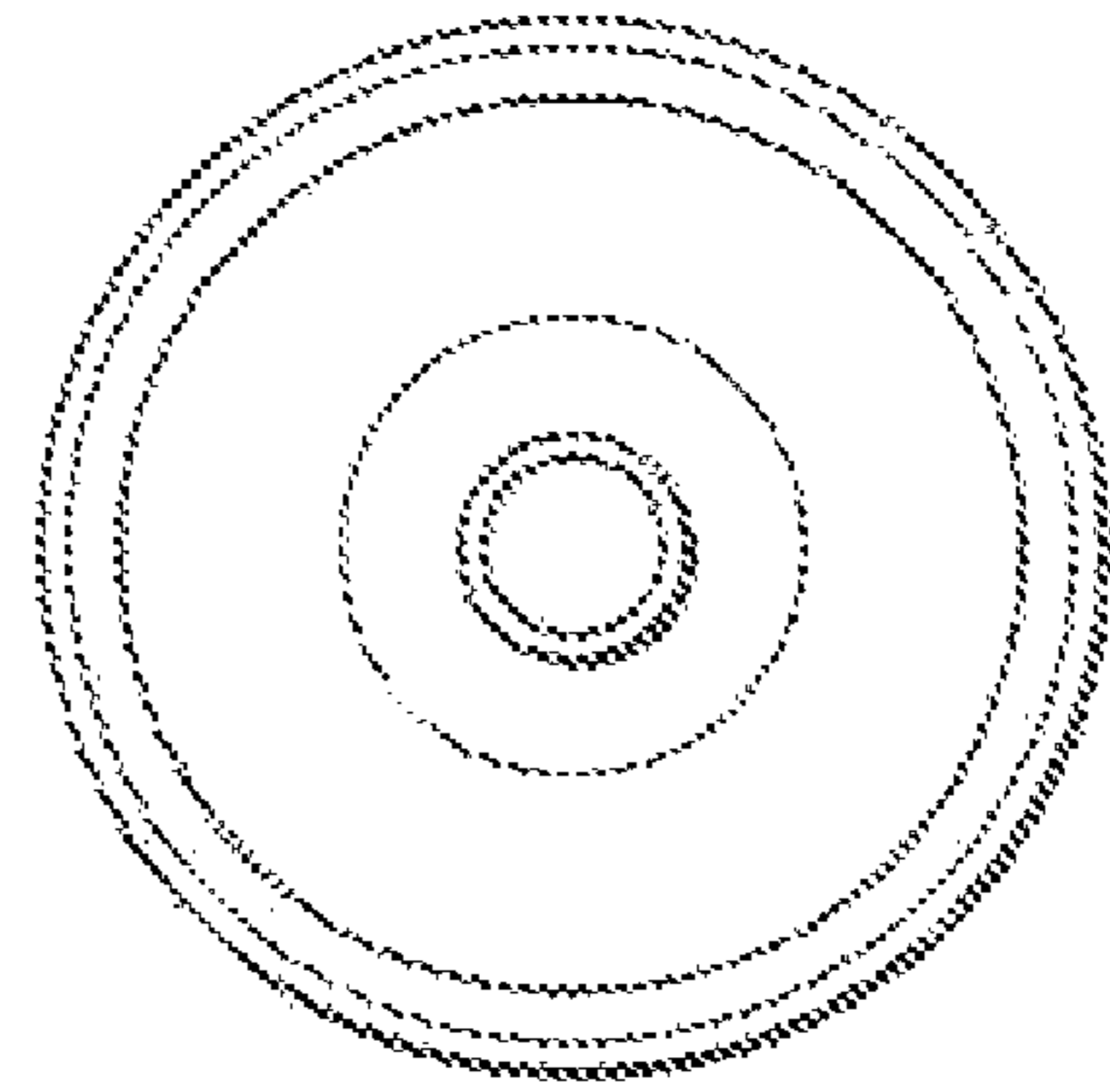


FIG. 4

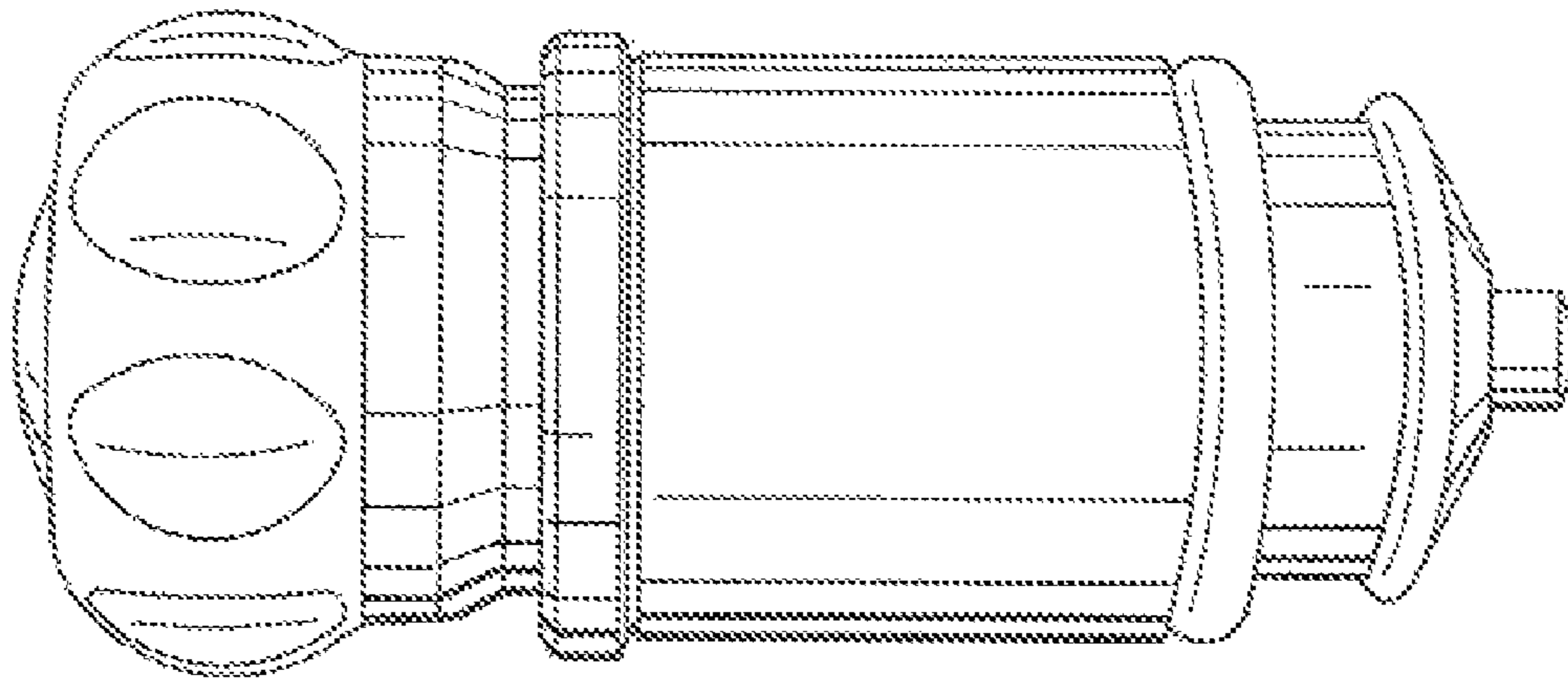


FIG. 5