



US00D590081S

(12) **United States Design Patent**
Osborne et al.

(10) **Patent No.:** **US D590,081 S**

(45) **Date of Patent:** **** Apr. 7, 2009**

(54) **VEHICLE LAMP**

D560,292 S * 1/2008 Sato D26/28

(75) Inventors: **Art Osborne**, San Pedro, CA (US);
Kenneth Snow, Torrance, CA (US)

* cited by examiner

Primary Examiner—Marcus A. Jackson

(73) Assignee: **Honda Motor Co., Ltd.**, Tokyo (JP)

(74) *Attorney, Agent, or Firm*—Plumsea Law Group, LLC;
Mark E. Duell

(**) Term: **14 Years**

(57) **CLAIM**

(21) Appl. No.: **29/323,947**

The ornamental design for a vehicle lamp, as shown and described.

(22) Filed: **Sep. 3, 2008**

DESCRIPTION

Related U.S. Application Data

FIG. 1 is a perspective view of a vehicle lamp showing our new design;

(62) Division of application No. 29/304,811, filed on Mar. 7, 2008.

FIG. 2 is a side elevational view thereof;

(51) **LOC (9) Cl.** **26-06**

(52) **U.S. Cl.** **D26/28**

(58) **Field of Classification Search** D26/28-36;
362/459-468, 475-478, 485-487

FIG. 3 is an end elevational view thereof;

FIG. 4 is a top plan view thereof;

FIG. 5 is a perspective view of a second embodiment of a vehicle lamp showing our new design;

See application file for complete search history.

FIG. 6 is a side elevational view thereof;

FIG. 7 is an end elevational view thereof; and,

FIG. 8 is a top plan view thereof.

(56) **References Cited**

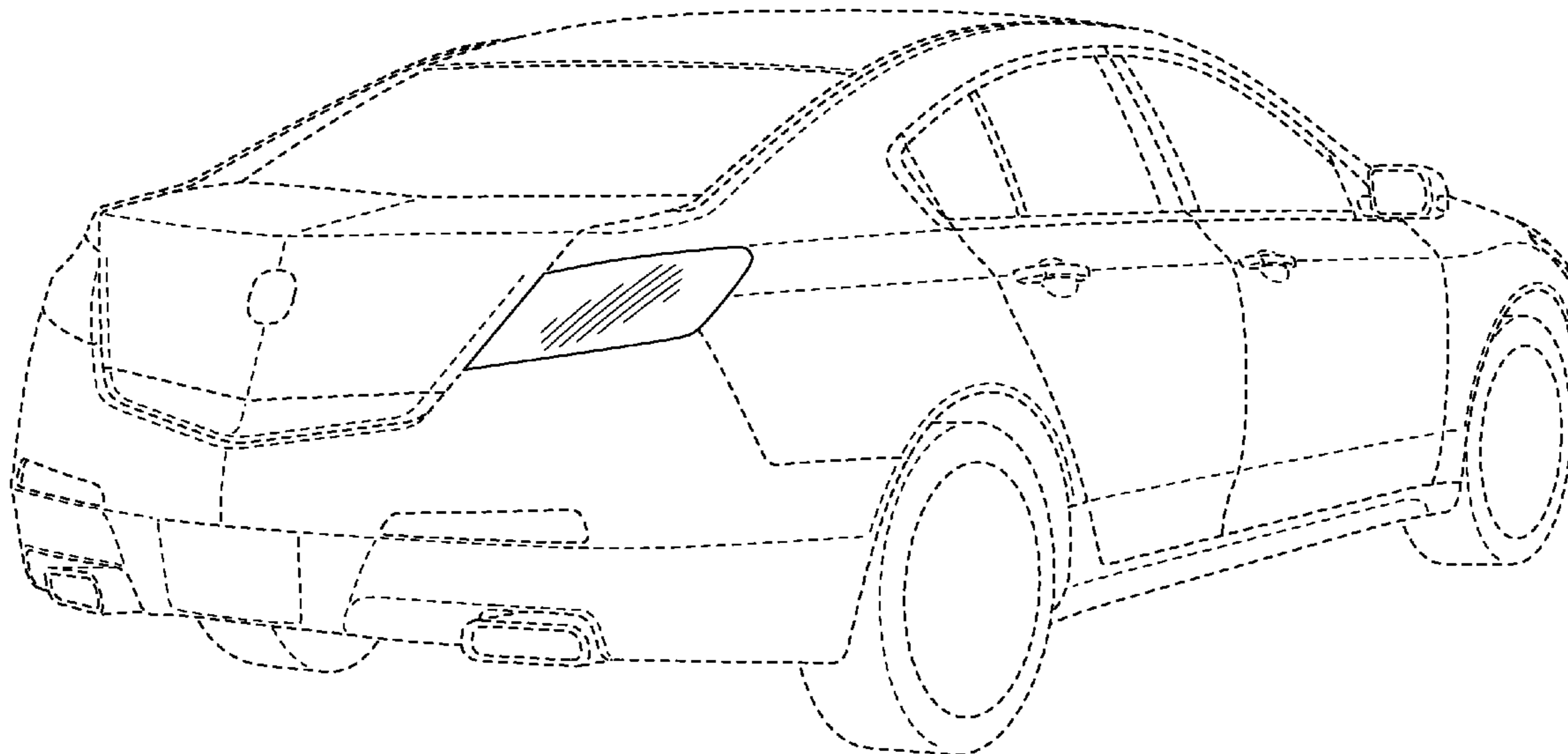
The broken line showing of the remainder of the vehicle forms no part of the claimed design.

U.S. PATENT DOCUMENTS

D549,363 S * 8/2007 Pfeiffer D26/28

D552,769 S * 10/2007 Leclercq D26/28

1 Claim, 8 Drawing Sheets



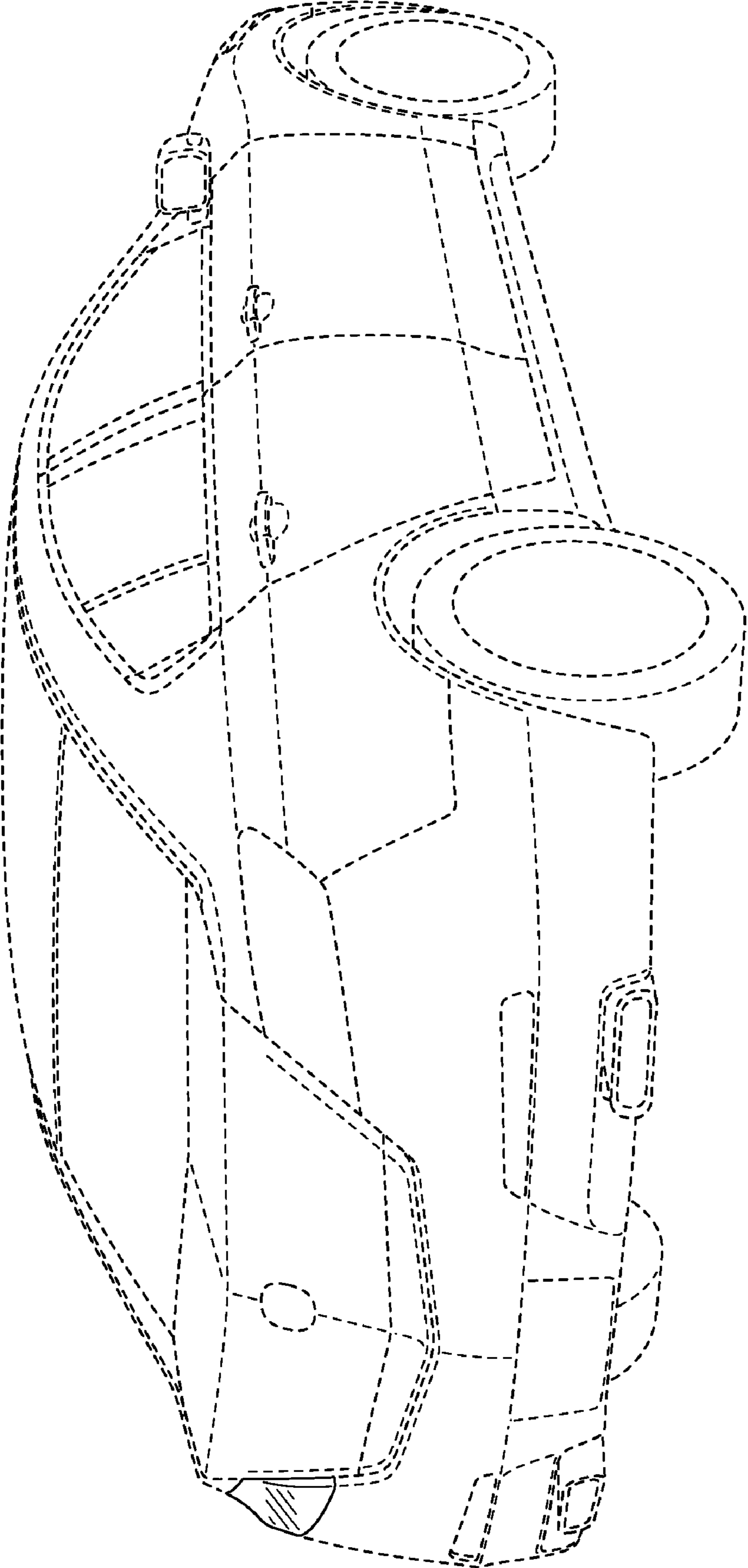


FIG. 1

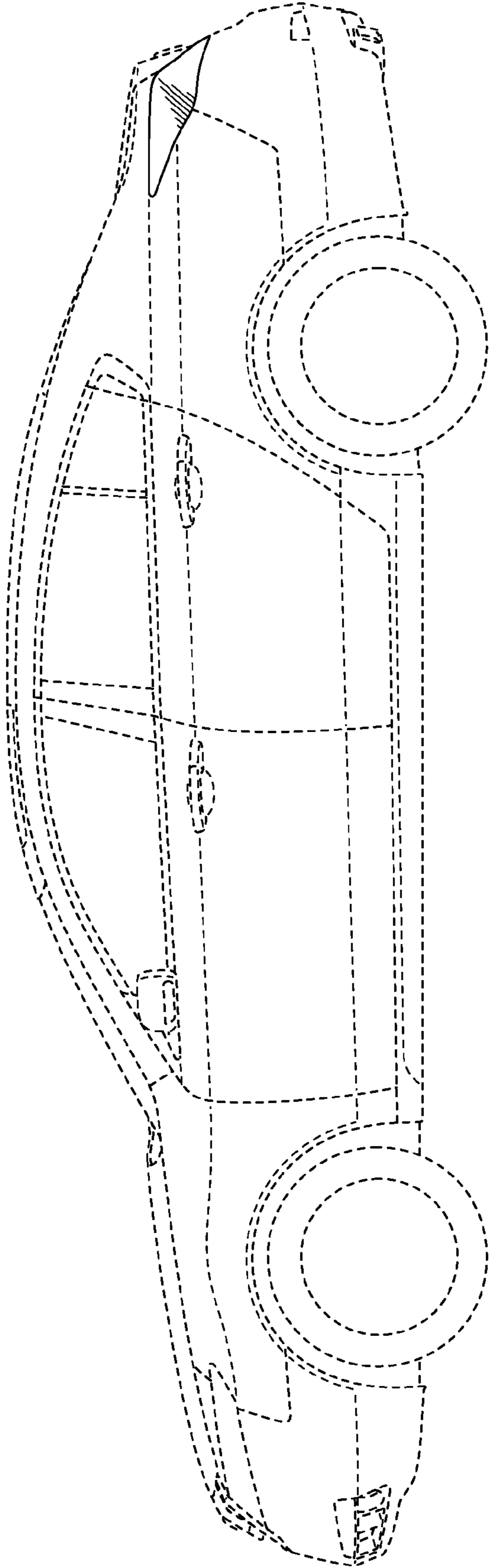


FIG. 2

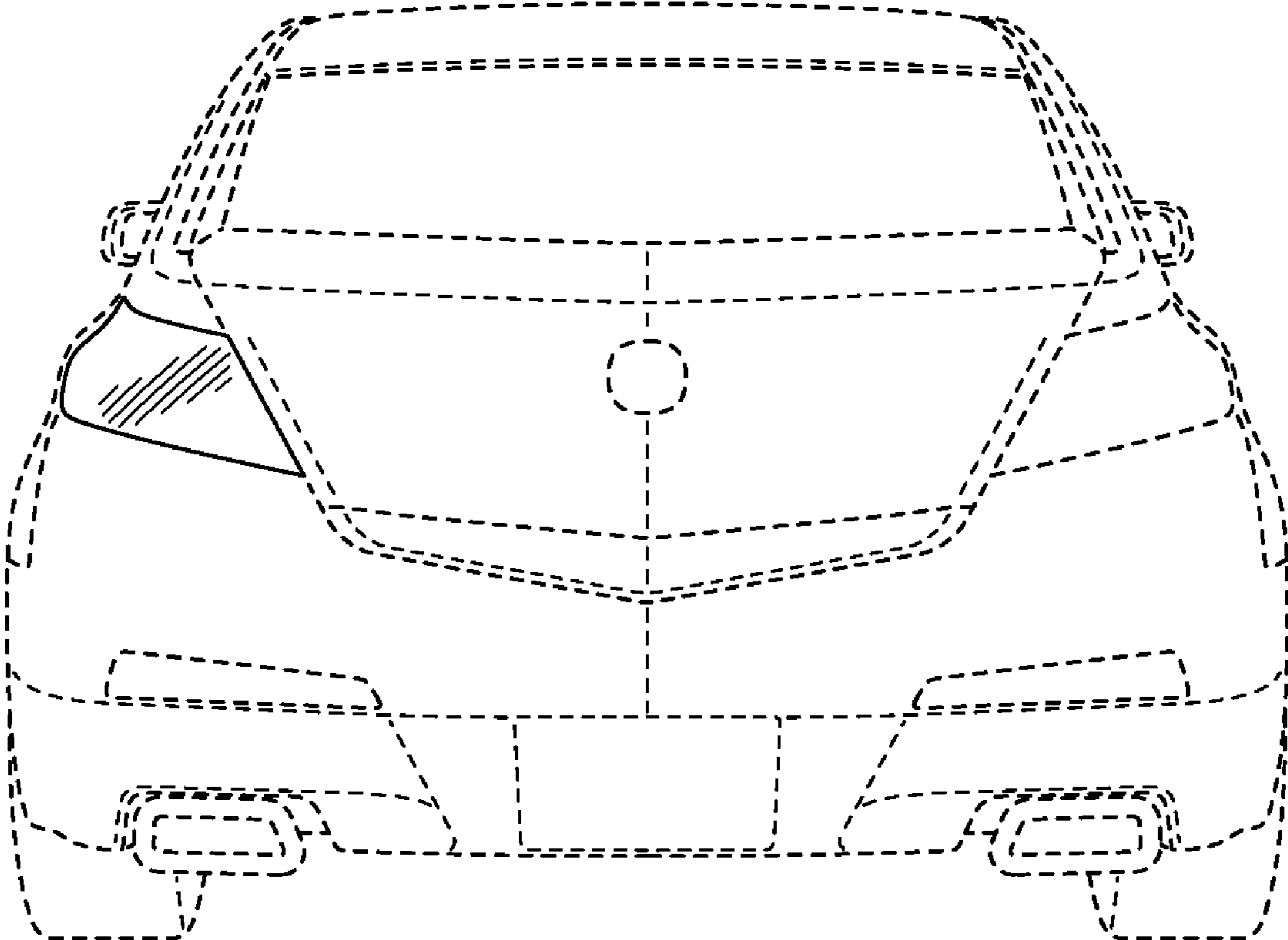


FIG. 3

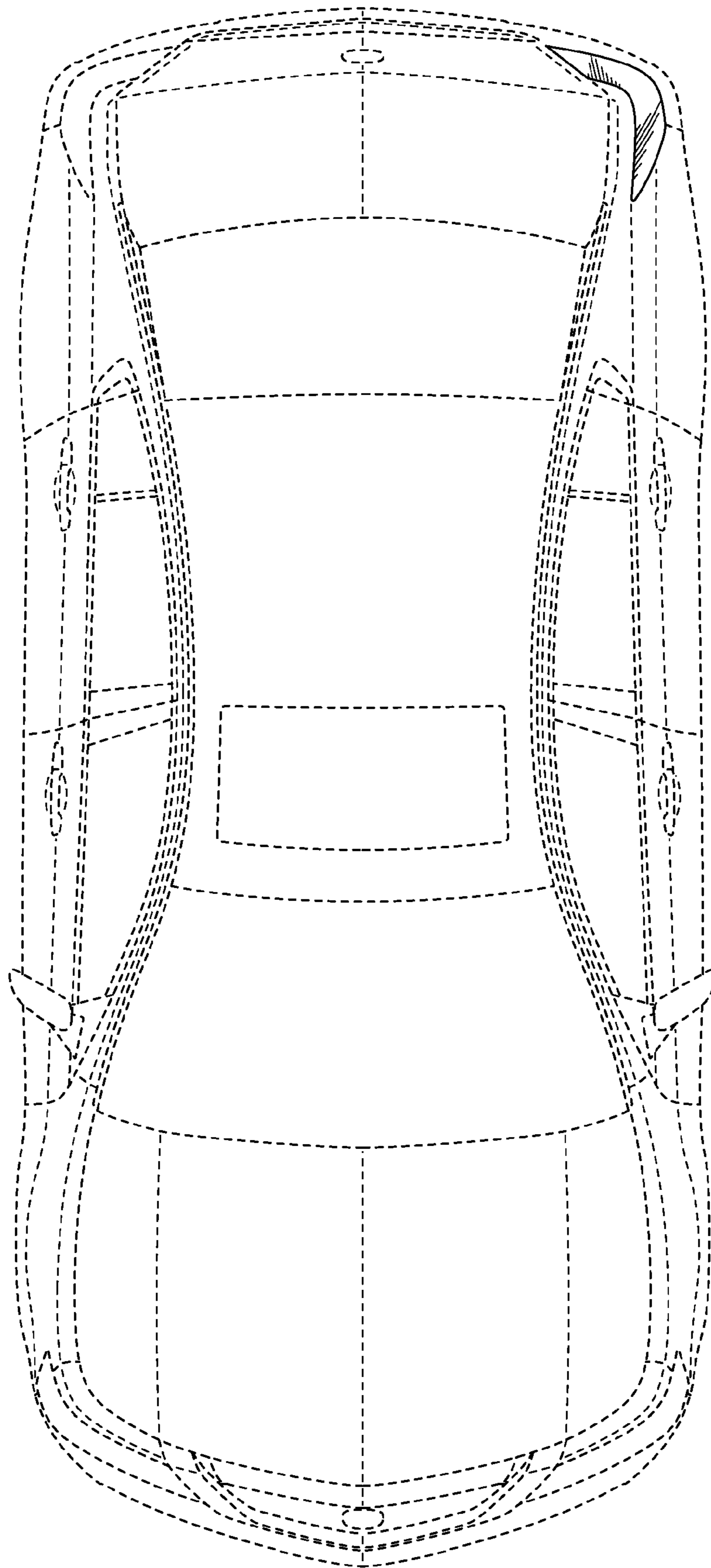


FIG. 4

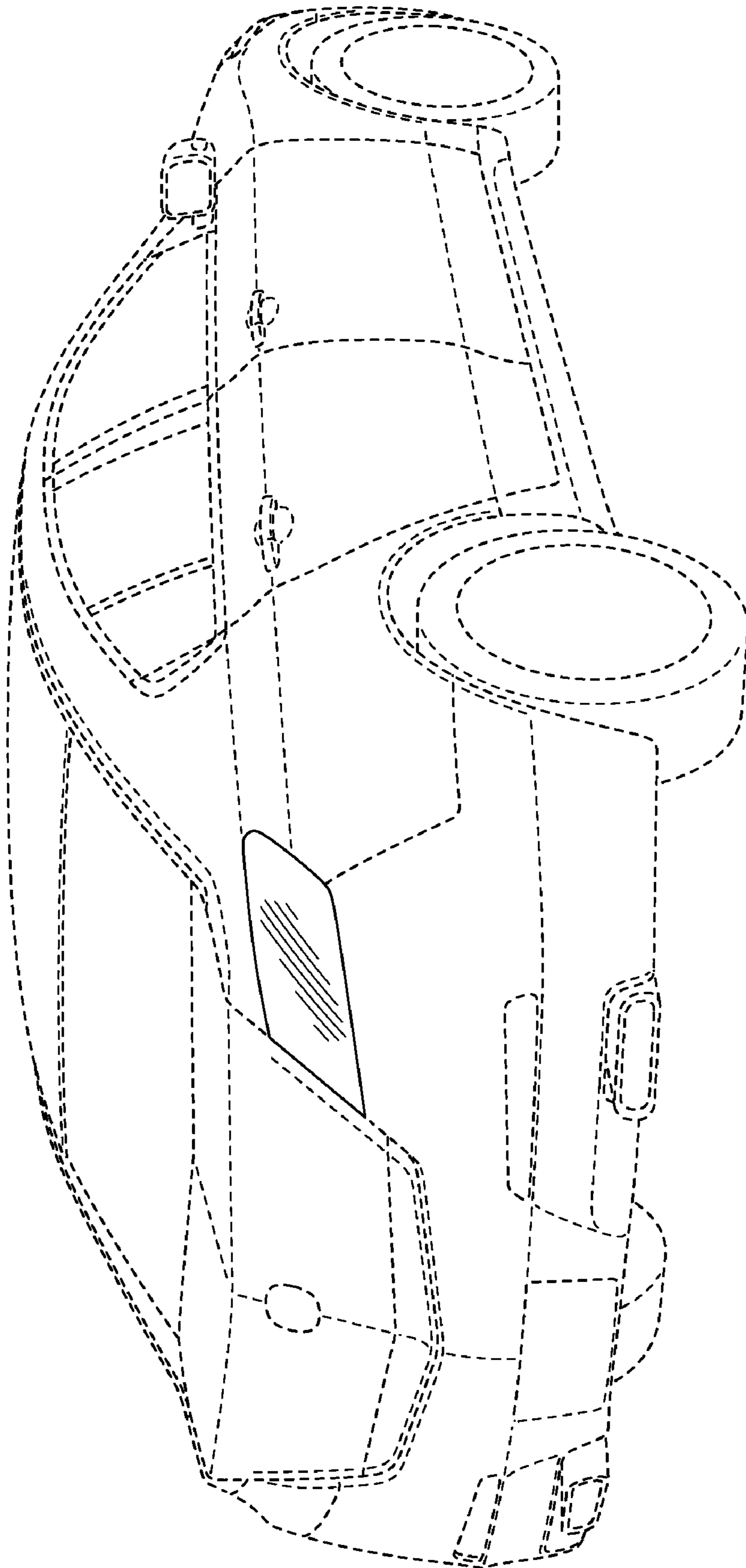


FIG. 5

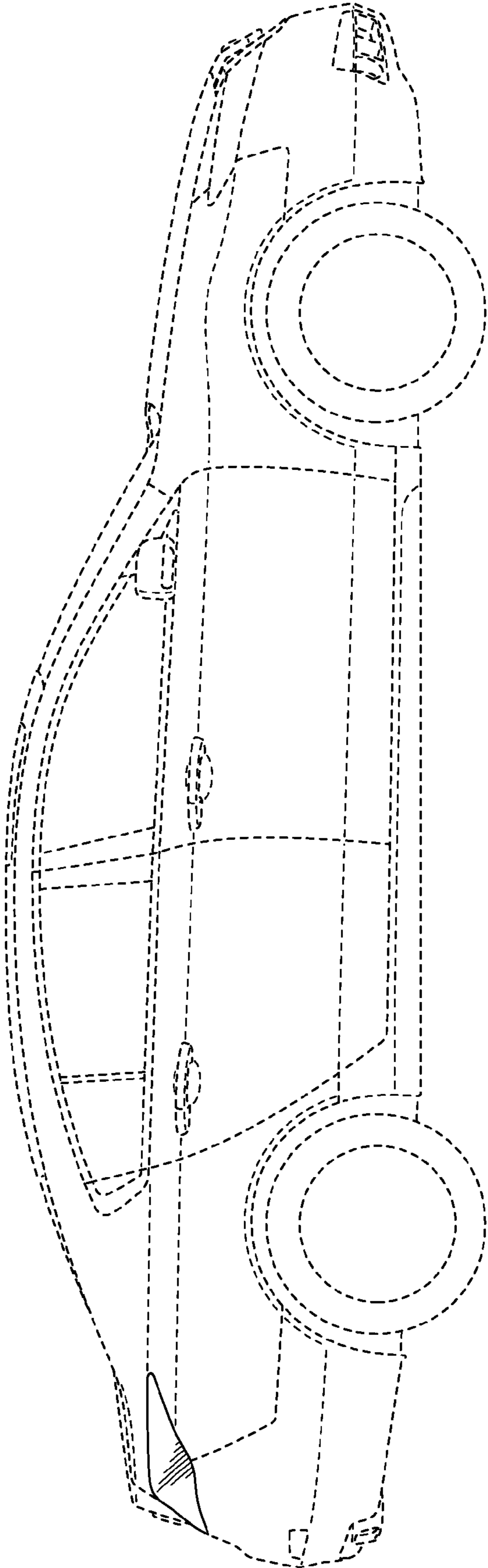


FIG. 6

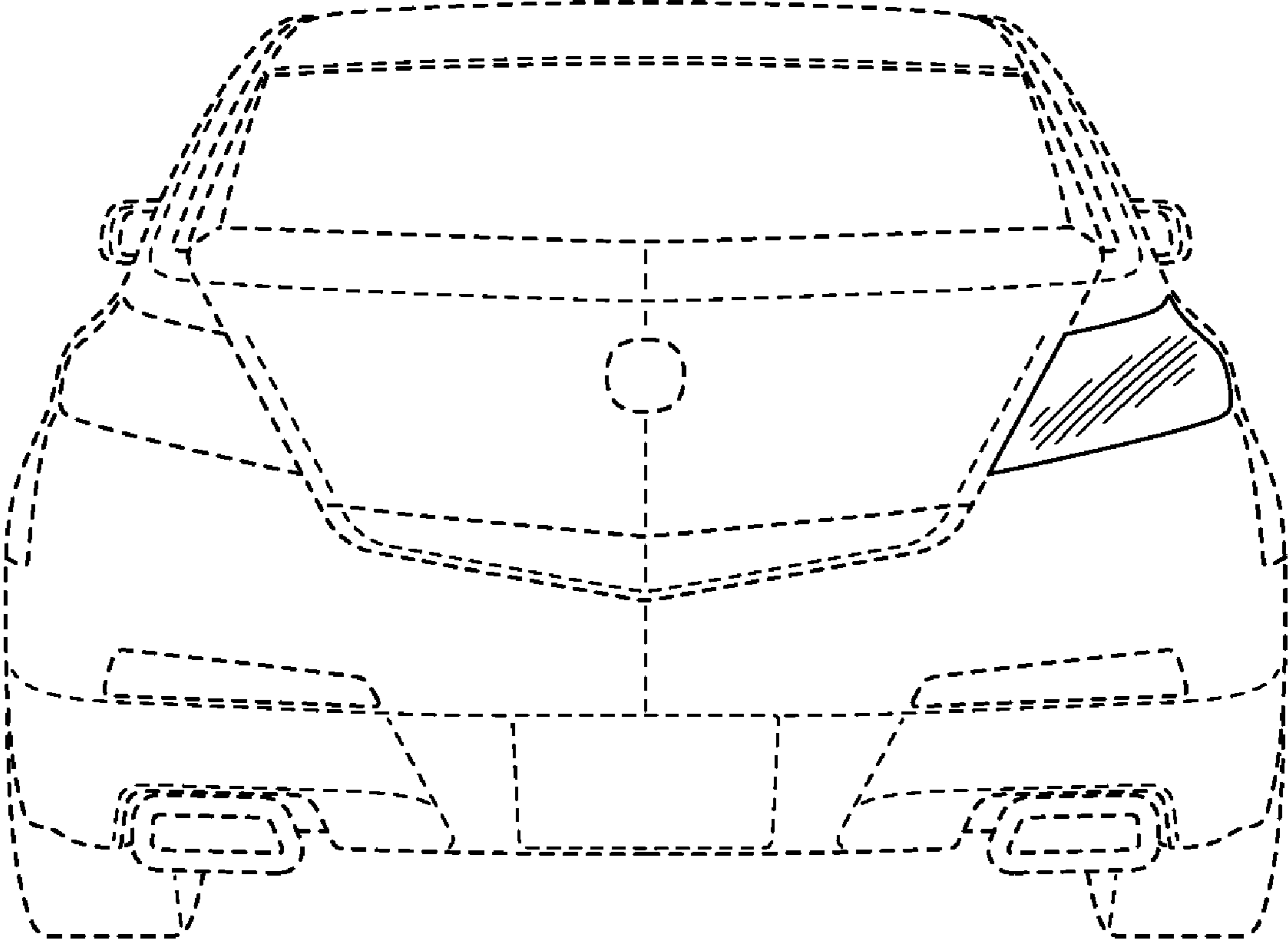


FIG. 7

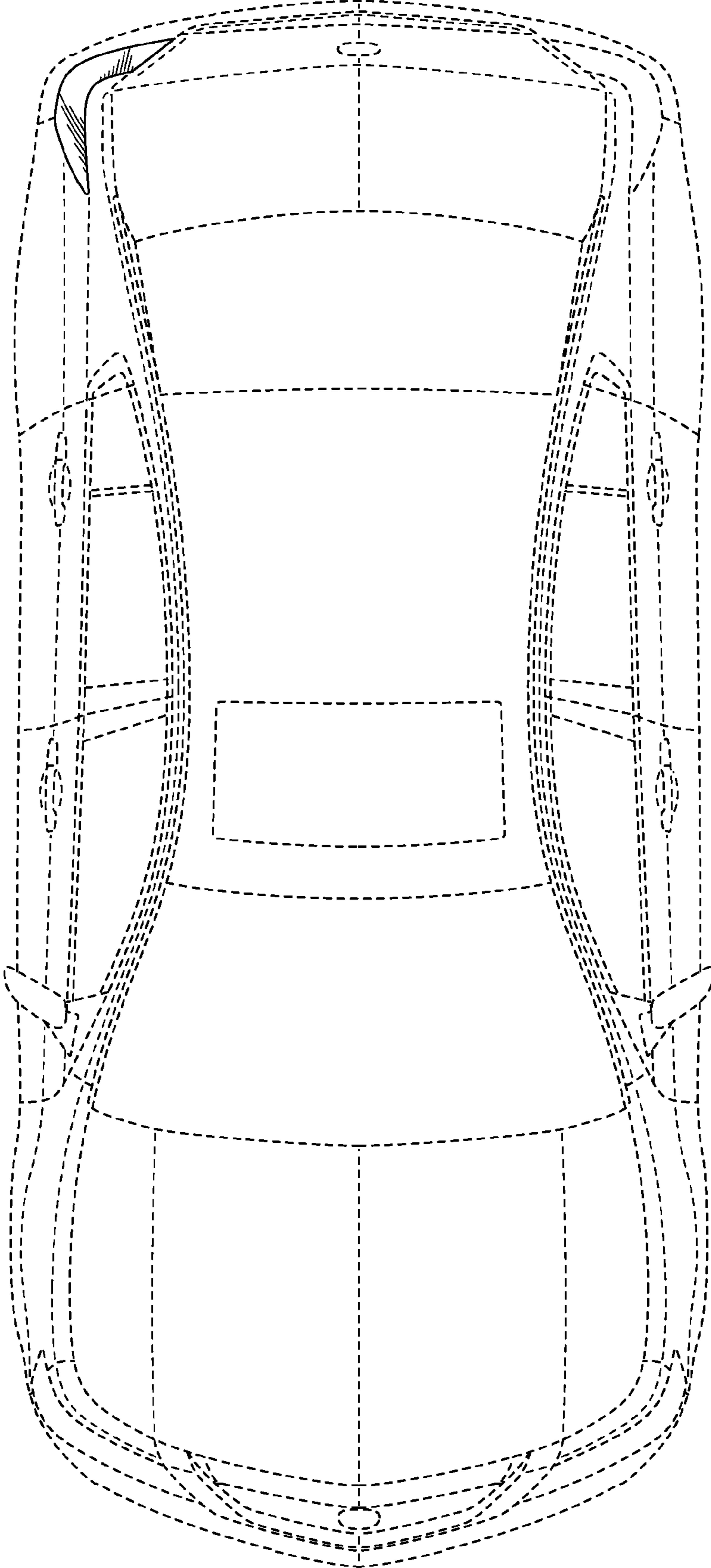


FIG. 8