



US00D590080S

(12) **United States Design Patent**
Osborne et al.

(10) **Patent No.:** **US D590,080 S**

(45) **Date of Patent:** **** Apr. 7, 2009**

(54) **VEHICLE LAMP**

(75) Inventors: **Art Osborne**, San Pedro, CA (US);
Kenneth Snow, Torrance, CA (US)

(73) Assignee: **Honda Motor Co., Ltd.**, Tokyo (JP)

(**) Term: **14 Years**

(21) Appl. No.: **29/323,944**

(22) Filed: **Sep. 3, 2008**

Related U.S. Application Data

(62) Division of application No. 29/304,811, filed on Mar. 7, 2008.

(51) **LOC (9) Cl.** **26-06**

(52) **U.S. Cl.** **D26/28**

(58) **Field of Classification Search** D26/28-36;
362/459-468, 475-478, 485-487
See application file for complete search history.

(56) **References Cited**

U.S. PATENT DOCUMENTS

D546,486 S * 7/2007 Sinkwitz D26/28

D554,780 S * 11/2007 Sinkwitz D26/28

D556,349 S * 11/2007 Golden et al. D26/28

* cited by examiner

Primary Examiner—Marcus A. Jackson

(74) *Attorney, Agent, or Firm*—Plumsea Law Group, LLC;
Mark E. Duell

(57) **CLAIM**

The ornamental design for a vehicle lamp, as shown and described.

DESCRIPTION

FIG. 1 is a perspective view of a vehicle lamp showing our new design;

FIG. 2 is a side elevational view thereof;

FIG. 3 is an end elevational view thereof;

FIG. 4 is a top plan view thereof;

FIG. 5 is a perspective view of a second embodiment of a vehicle lamp showing our new design;

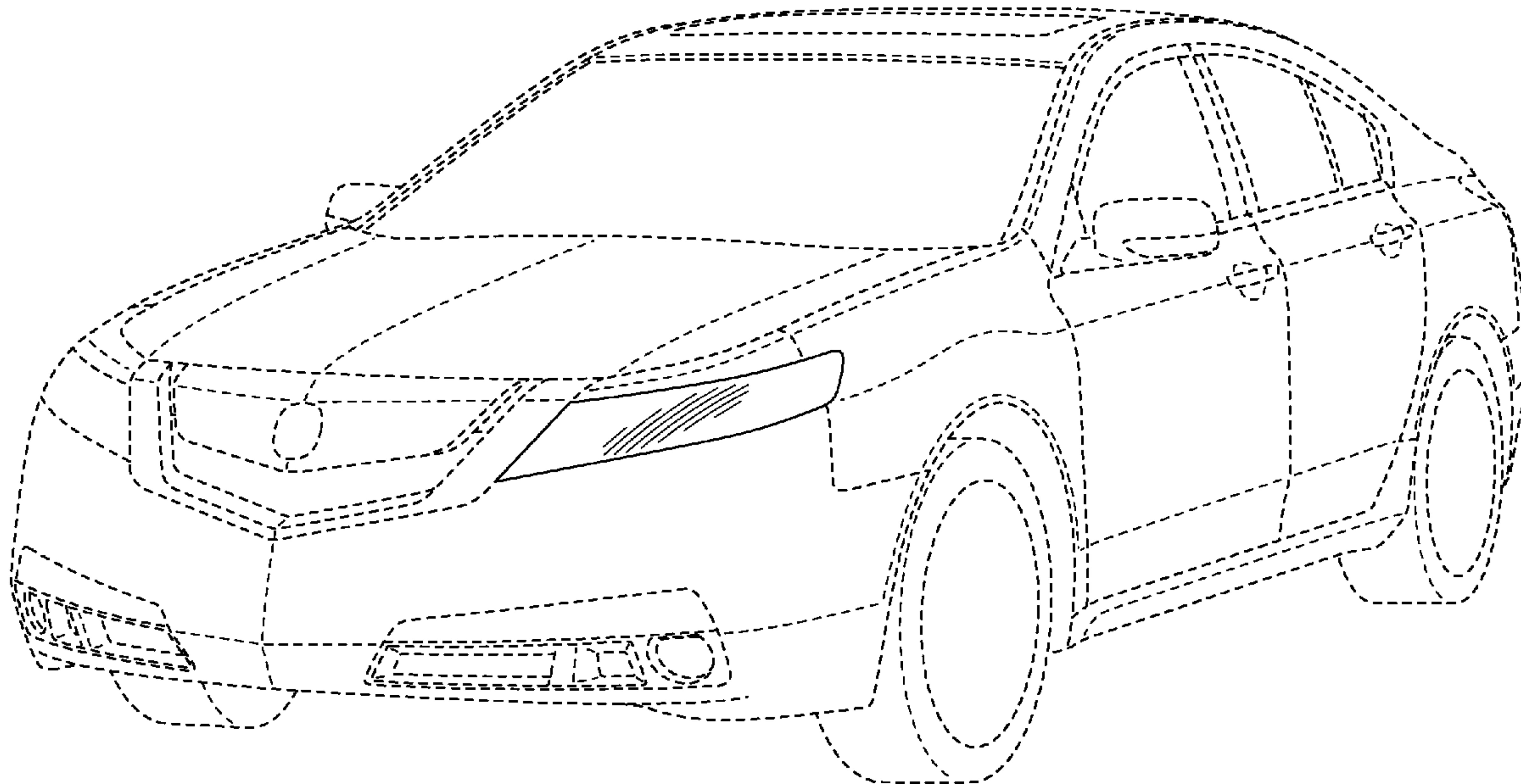
FIG. 6 is a side elevational view thereof;

FIG. 7 is an end elevational view thereof; and,

FIG. 8 is a top plan view thereof.

The broken line showing of the remainder of the vehicle forms no part of the claimed design.

1 Claim, 8 Drawing Sheets



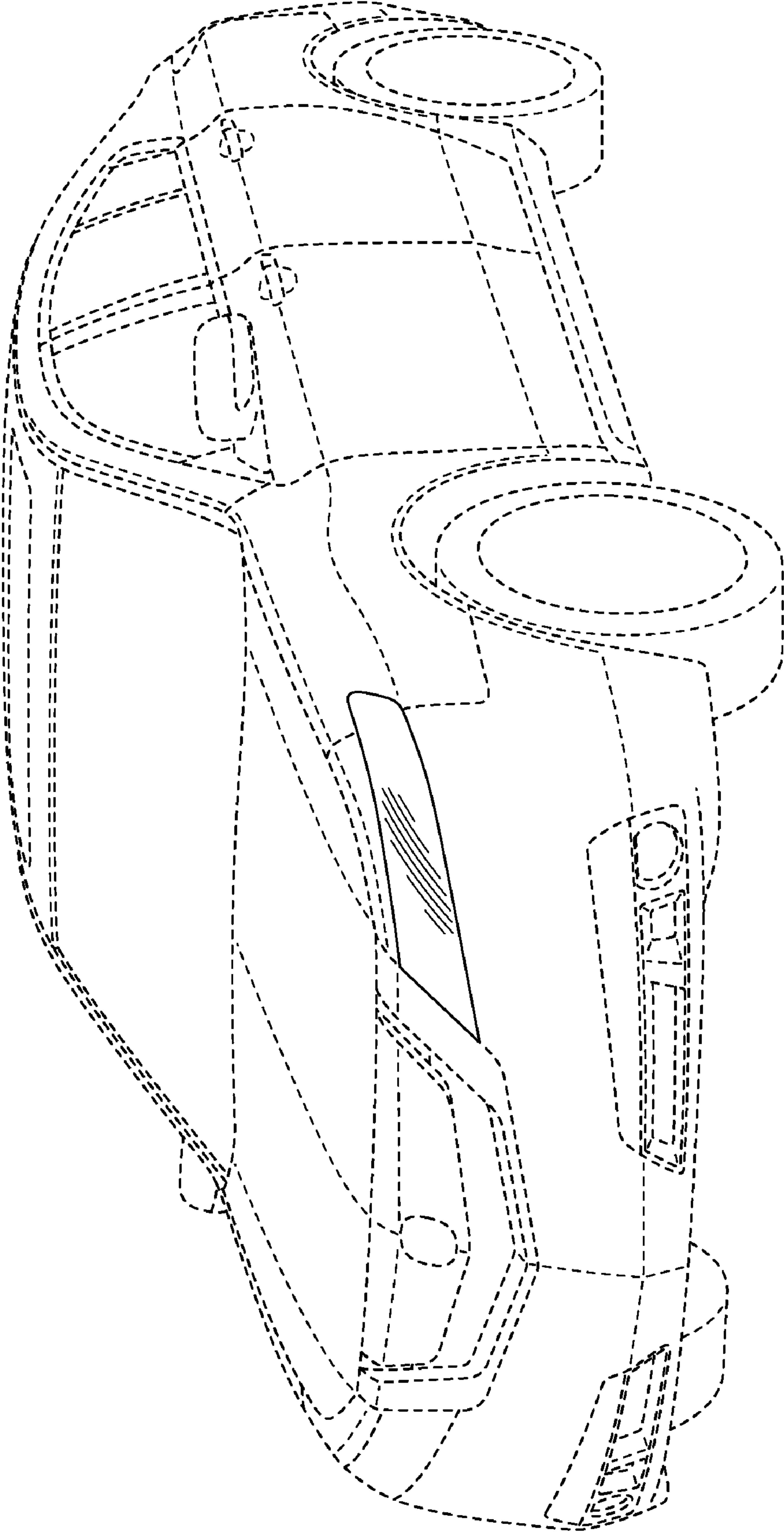


FIG. 1

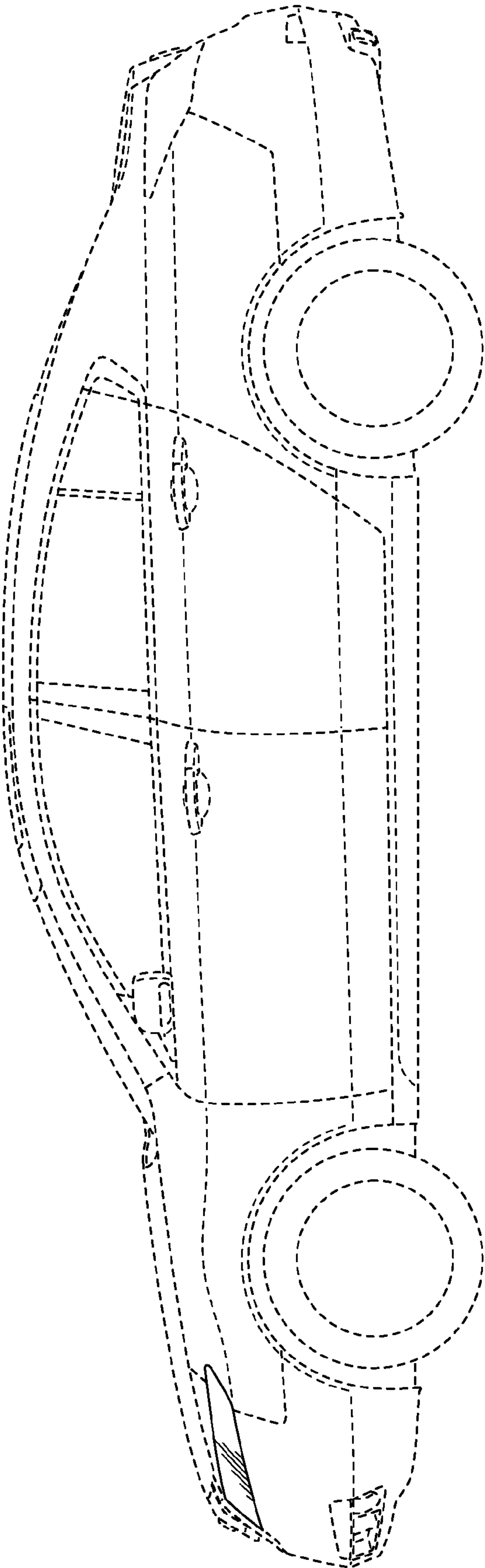


FIG. 2

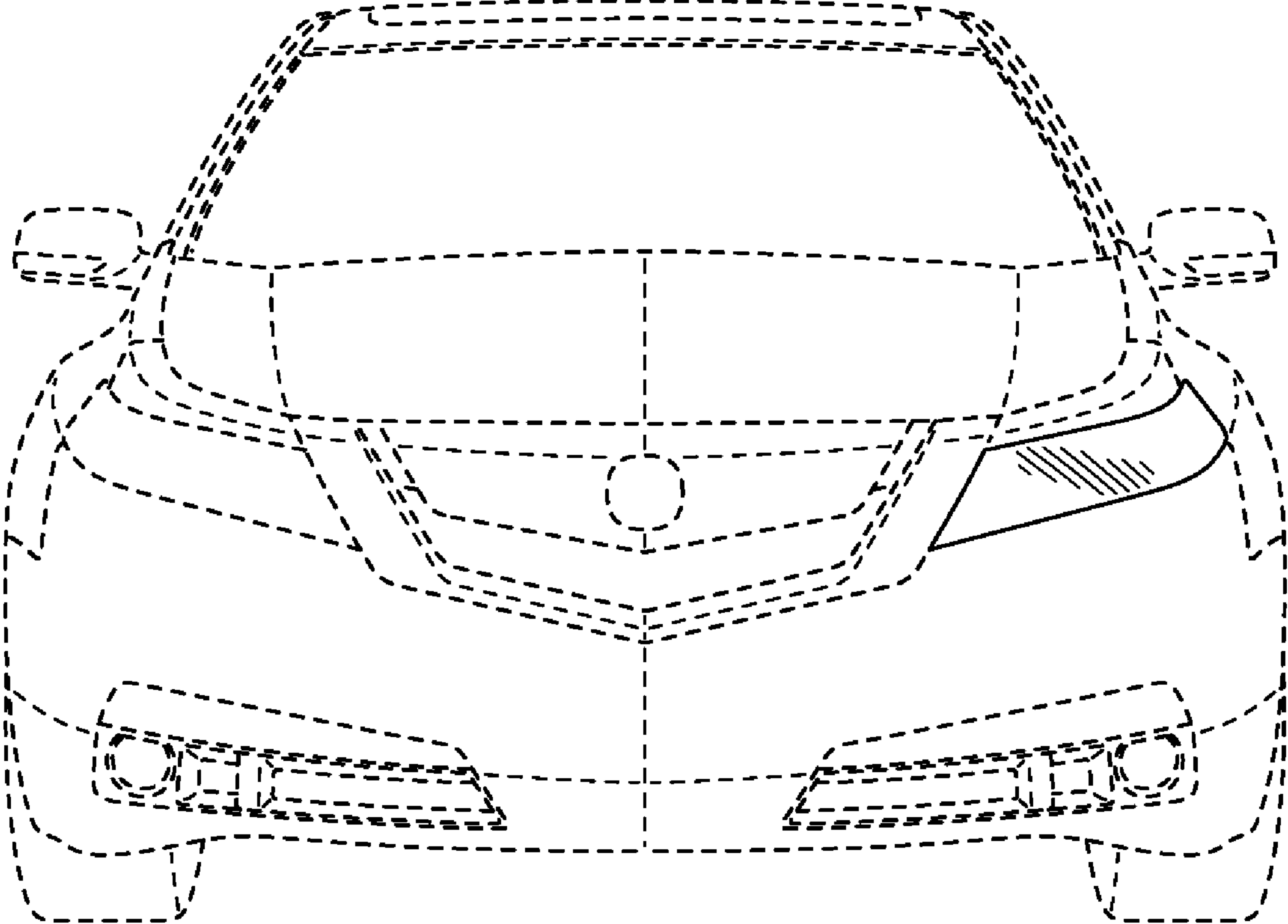


FIG. 3

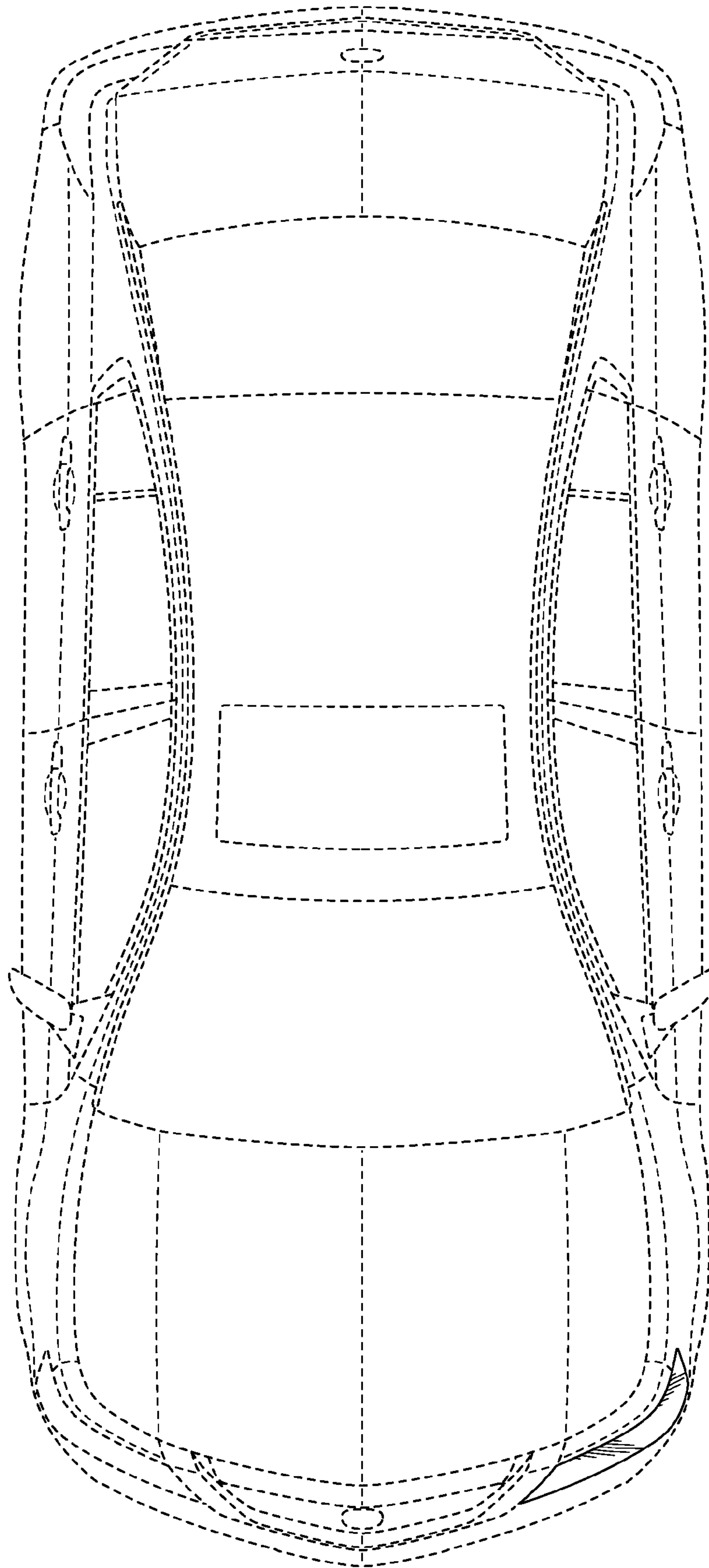


FIG. 4

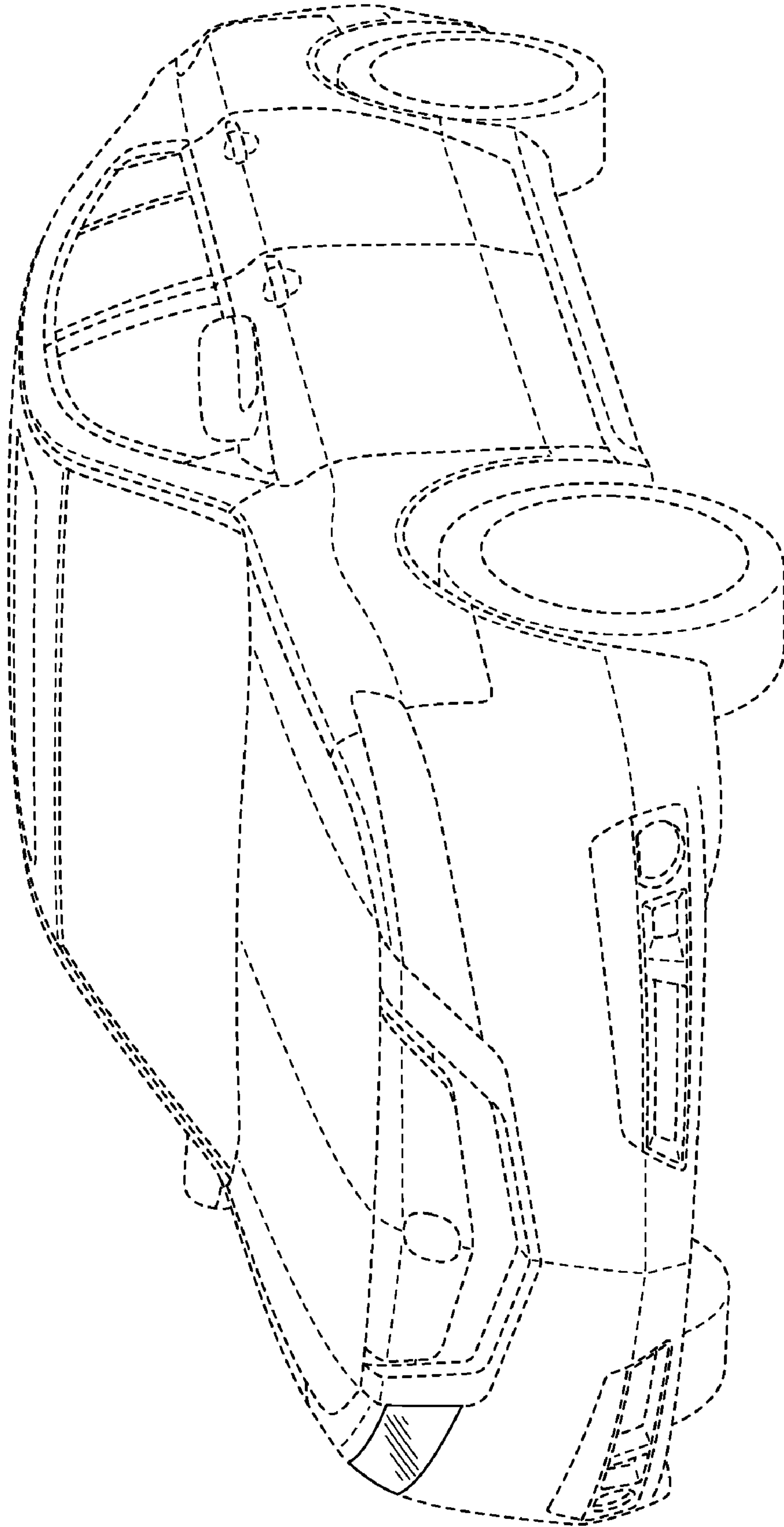


FIG. 5

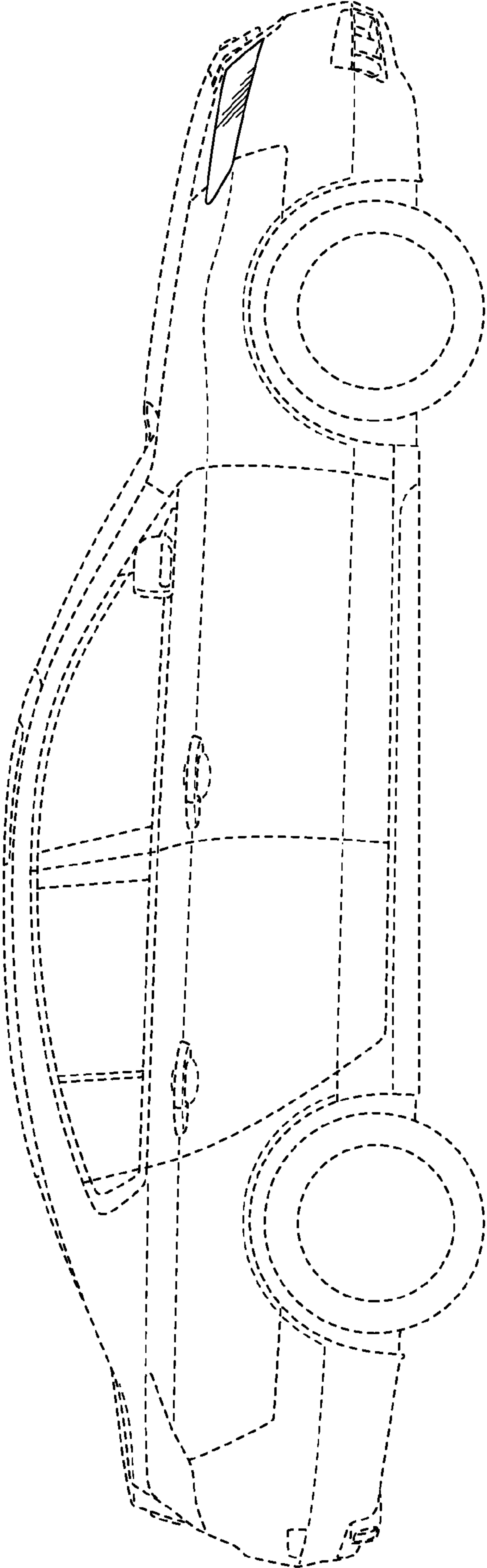


FIG. 6

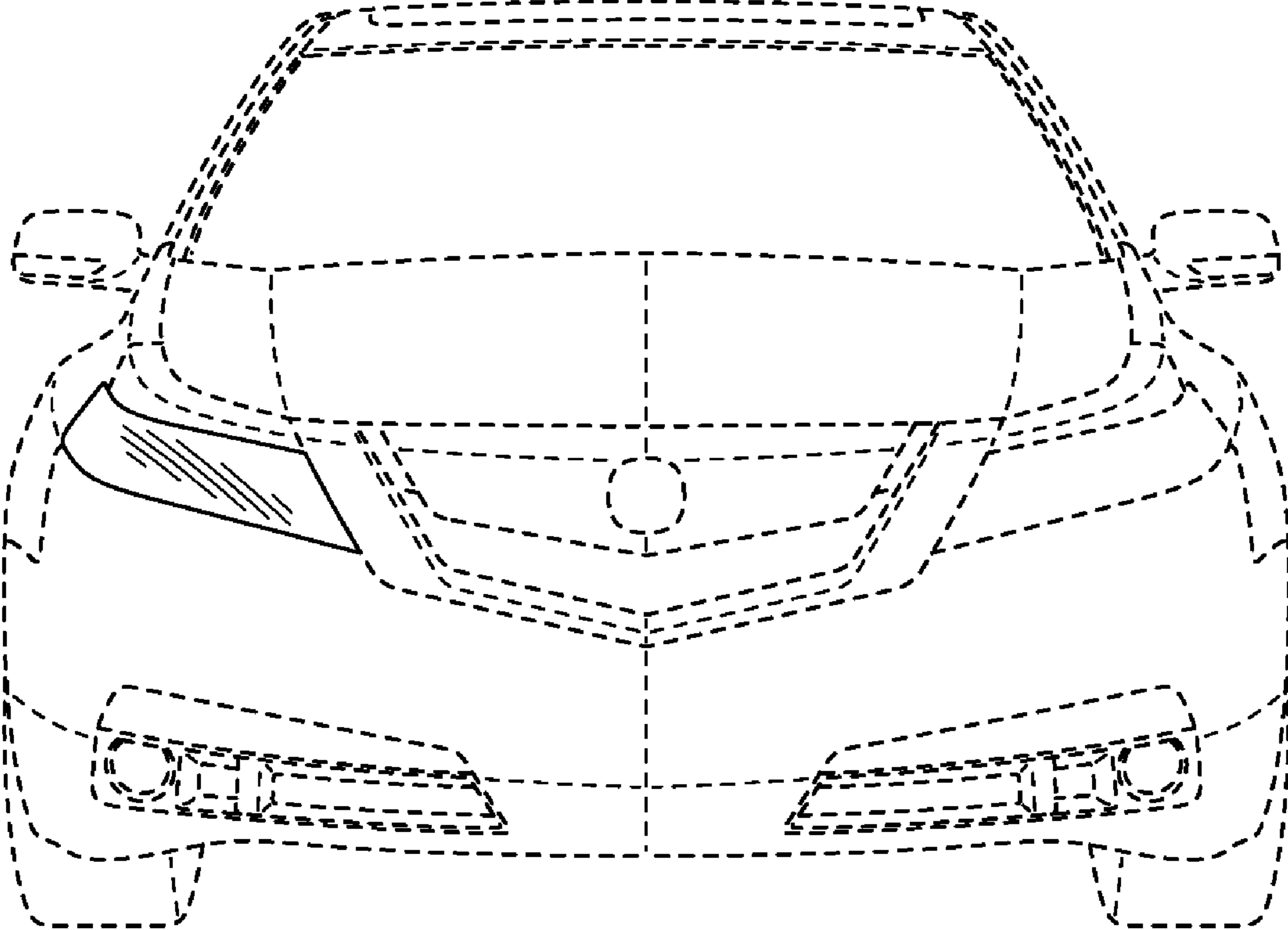


FIG. 7

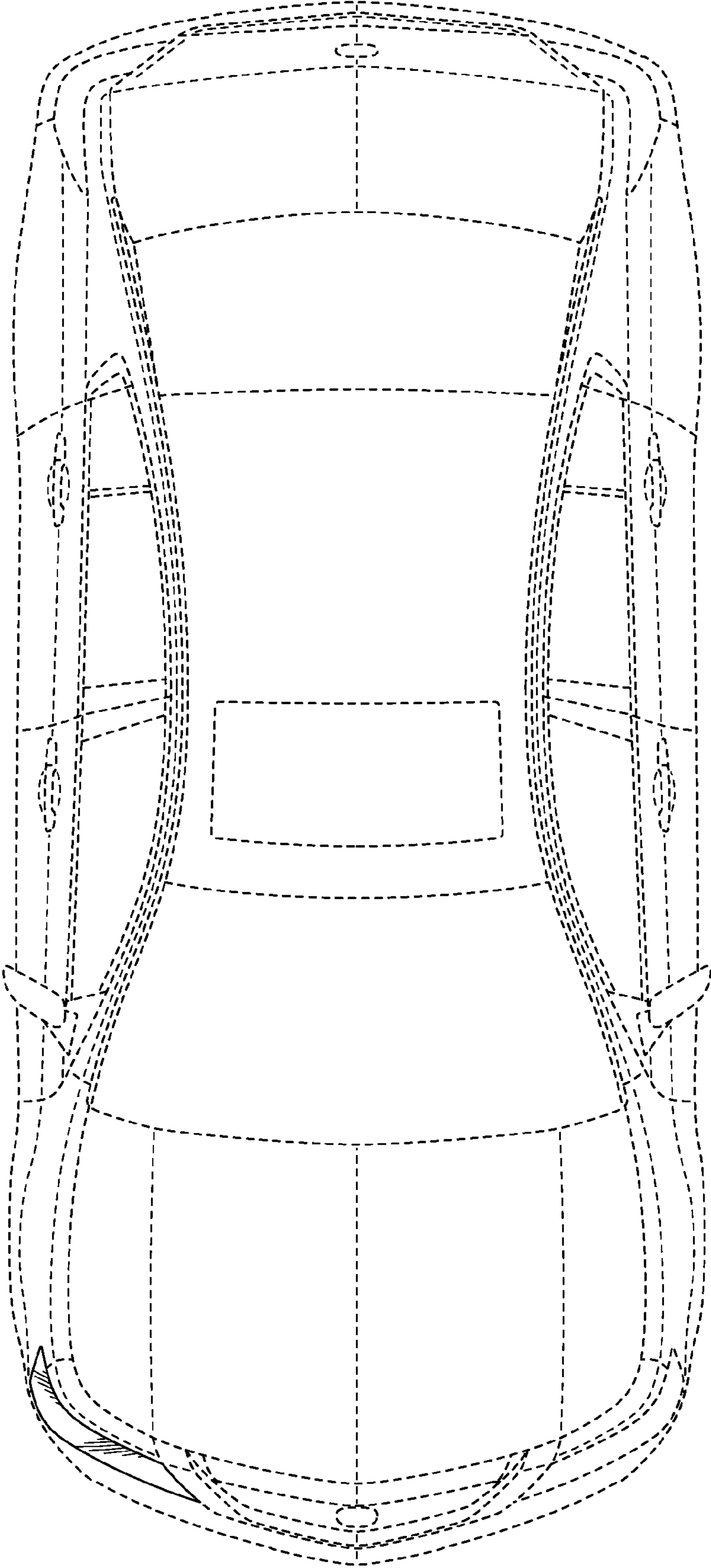


FIG. 8