



US00D590078S

(12) **United States Design Patent**  
**Horenziak et al.**

(10) **Patent No.:** **US D590,078 S**

(45) **Date of Patent:** **\*\* Apr. 7, 2009**

(54) **CANDLE AND CONTAINER**

(75) Inventors: **Steven Anthony Horenziak**, Cincinnati, OH (US); **Matthew Davis Bantly**, Cincinnati, OH (US); **Demetrius Michael Romanos**, Cincinnati, OH (US); **Tony Christopher Siebel**, Cincinnati, OH (US)

(73) Assignee: **The Procter & Gamble Company**, Cincinnati, OH (US)

(\*\*) Term: **14 Years**

(21) Appl. No.: **29/288,002**

(22) Filed: **May 25, 2007**

**Related U.S. Application Data**

(62) Division of application No. 29/266,583, filed on Sep. 25, 2006, now Pat. No. Des. 547,467.

(51) **LOC (9) Cl.** ..... **26-01**

(52) **U.S. Cl.** ..... **D26/6; D26/9**

(58) **Field of Classification Search** ..... D26/5, D26/6, 7, 9, 10, 11, 12, 13, 14, 15, 16, 17, D26/18, 19, 20, 21, 22, 23, 114-137; D11/117, D11/121, 125, 131; 428/7-9, 11; 431/291, 431/311, 320, 298; 362/161-163, 351  
See application file for complete search history.

(56) **References Cited**

**U.S. PATENT DOCUMENTS**

2,713,256 A \* 7/1955 Oesterle et al. .... 431/291

(Continued)

**OTHER PUBLICATIONS**

<http://oami.europa.eu/RCOnline/RequestManager>—European Registered Community Design 000078829-0001.

(Continued)

*Primary Examiner*—T. Chase Nelson  
*Assistant Examiner*—Ania K Dworzecka

(74) *Attorney, Agent, or Firm*—Julia A. Glazer; Kim W. Zerby; Steven W. Miller

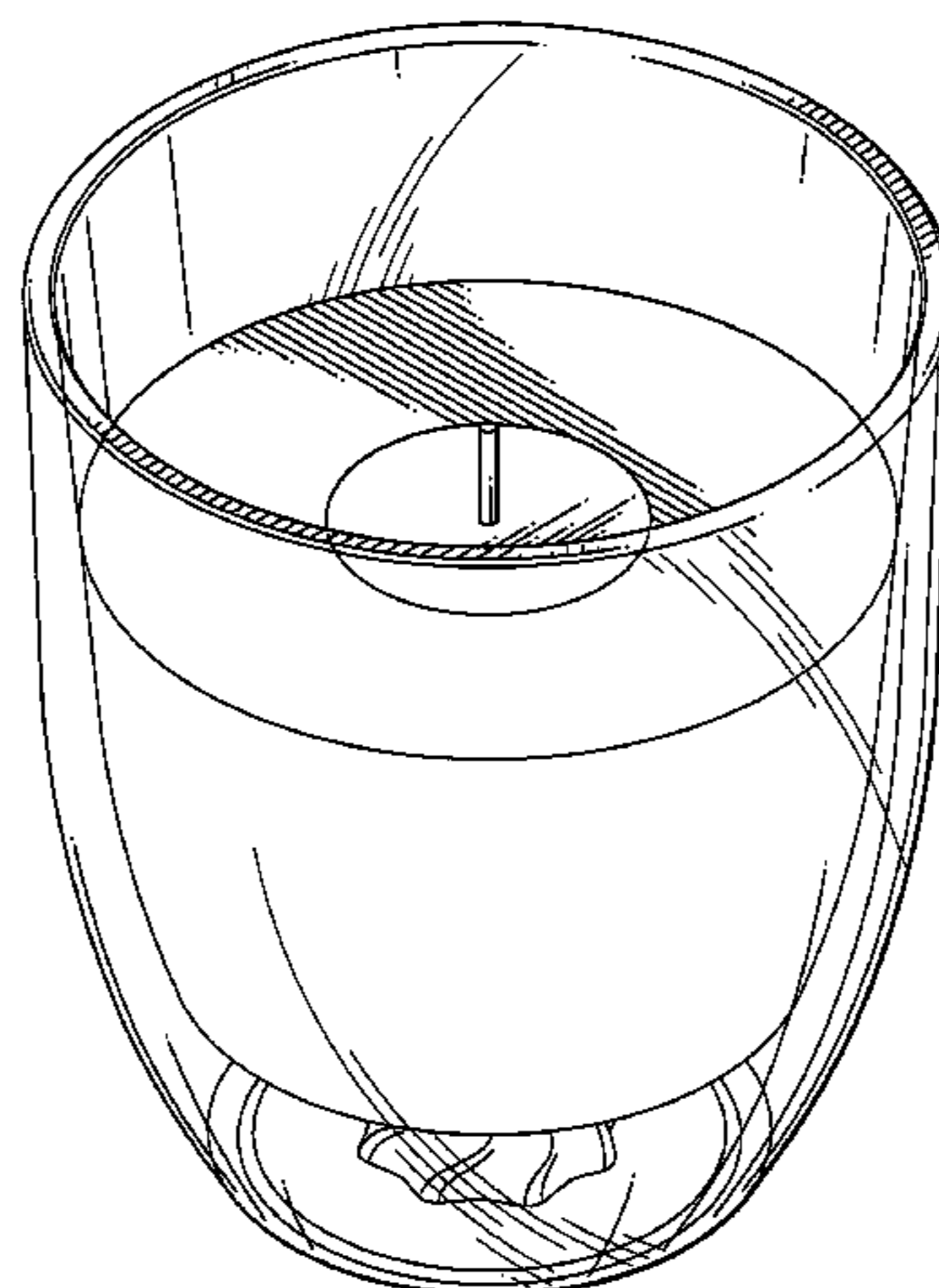
(57) **CLAIM**

The ornamental design for a candle and container, as shown and described.

**DESCRIPTION**

FIG. 1 is a perspective view of a candle and container.  
FIG. 2 is a front elevation view of the candle and container of FIG. 1.  
FIG. 3 is a rear elevation view of the candle and container of FIG. 1.  
FIG. 4 is a left side elevation view of the candle and container of FIG. 1.  
FIG. 5 is a right side elevation view of the candle and container of FIG. 1.  
FIG. 6 is a top plan view of the candle and container of FIG. 1.  
FIG. 7 is a bottom plan view of the candle and container of FIG. 1.  
FIG. 8 is a perspective view of a portion of a candle and container.  
FIG. 9 is a front elevation view of the candle and container of FIG. 8.  
FIG. 10 is a rear elevation view of the candle and container of FIG. 8.  
FIG. 11 is a left side elevation view of the candle and container of FIG. 8.  
FIG. 12 is a right side elevation view of the candle and container of FIG. 8.  
FIG. 13 is a top plan view of the candle and container of FIG. 8; and,  
FIG. 14 is a bottom plan view of the candle and container of FIG. 8.  
The broken line showing of environmental structure in FIGS. 8-13 is for illustrative purposes only and forms no part of the claimed design.

**1 Claim, 12 Drawing Sheets**



# US D590,078 S

Page 2

---

## U.S. PATENT DOCUMENTS

6,066,329 A \* 5/2000 Morrison et al. .... 424/405  
6,241,512 B1 6/2001 Freeman et al.  
6,435,694 B1 8/2002 Bell et al.  
6,447,732 B1 \* 9/2002 West ..... 422/126  
6,802,707 B2 \* 10/2004 Furner et al. .... 431/292  
D547,467 S 7/2007 Horezniak et al.  
D547,468 S 7/2007 Horezniak et al.  
D547,470 S \* 7/2007 Horezniak et al. .... D26/23  
D565,241 S \* 3/2008 Horezniak et al. .... D26/142

2003/0104330 A1 6/2003 Joyner  
2007/0169404 A1 7/2007 Cagle  
2007/0169405 A1 7/2007 Cagle  
2008/0081305 A1 4/2008 Horezniak et al.

## OTHER PUBLICATIONS

[www.candlewic.com/candle-making-newsletter/0106.asp](http://www.candlewic.com/candle-making-newsletter/0106.asp)—Jan. 2006 How to Make Candles, Candle Making Newsletter, printed Sep. 25, 2006, 7 pages.

\* cited by examiner

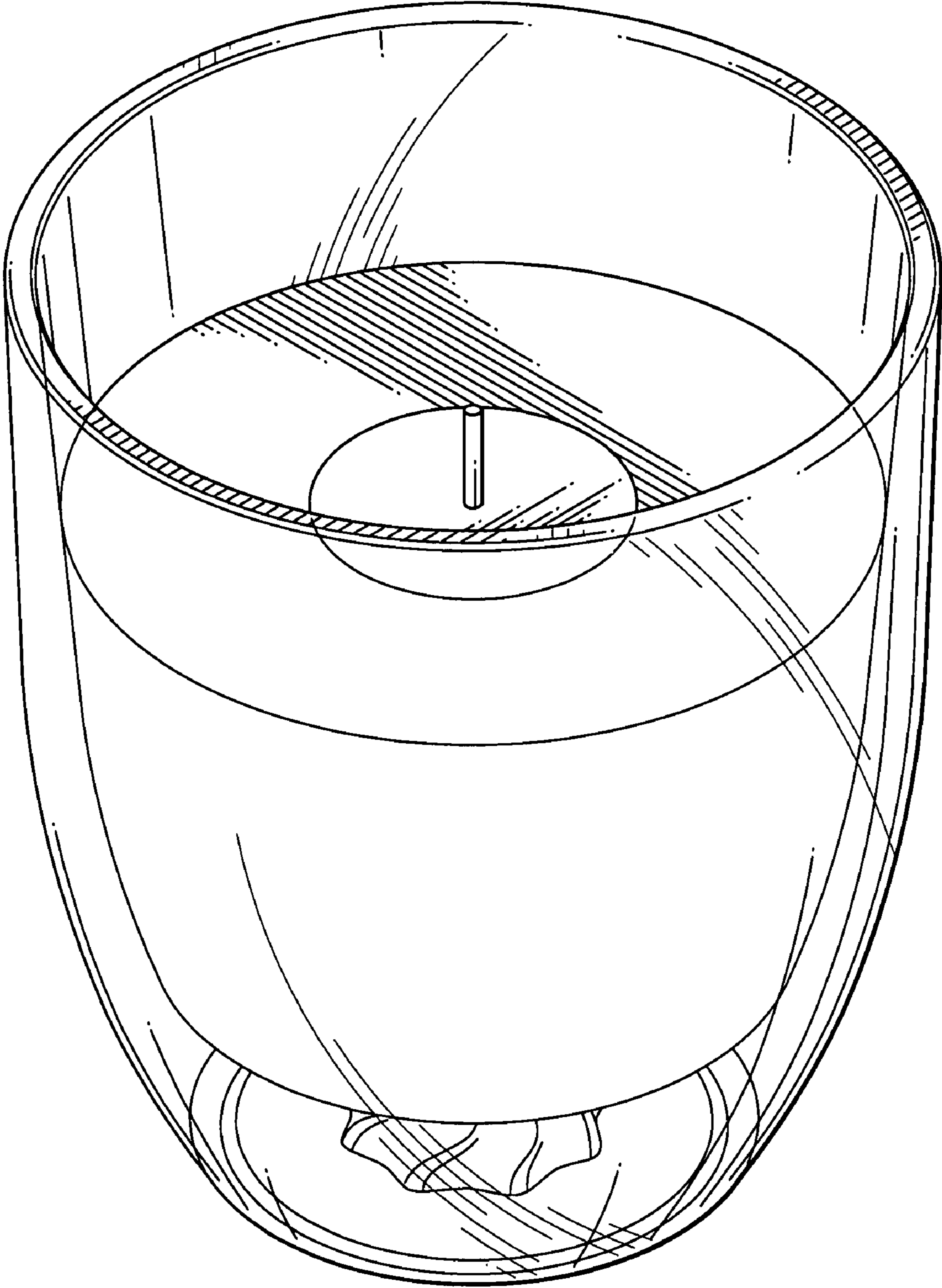


FIG. 1

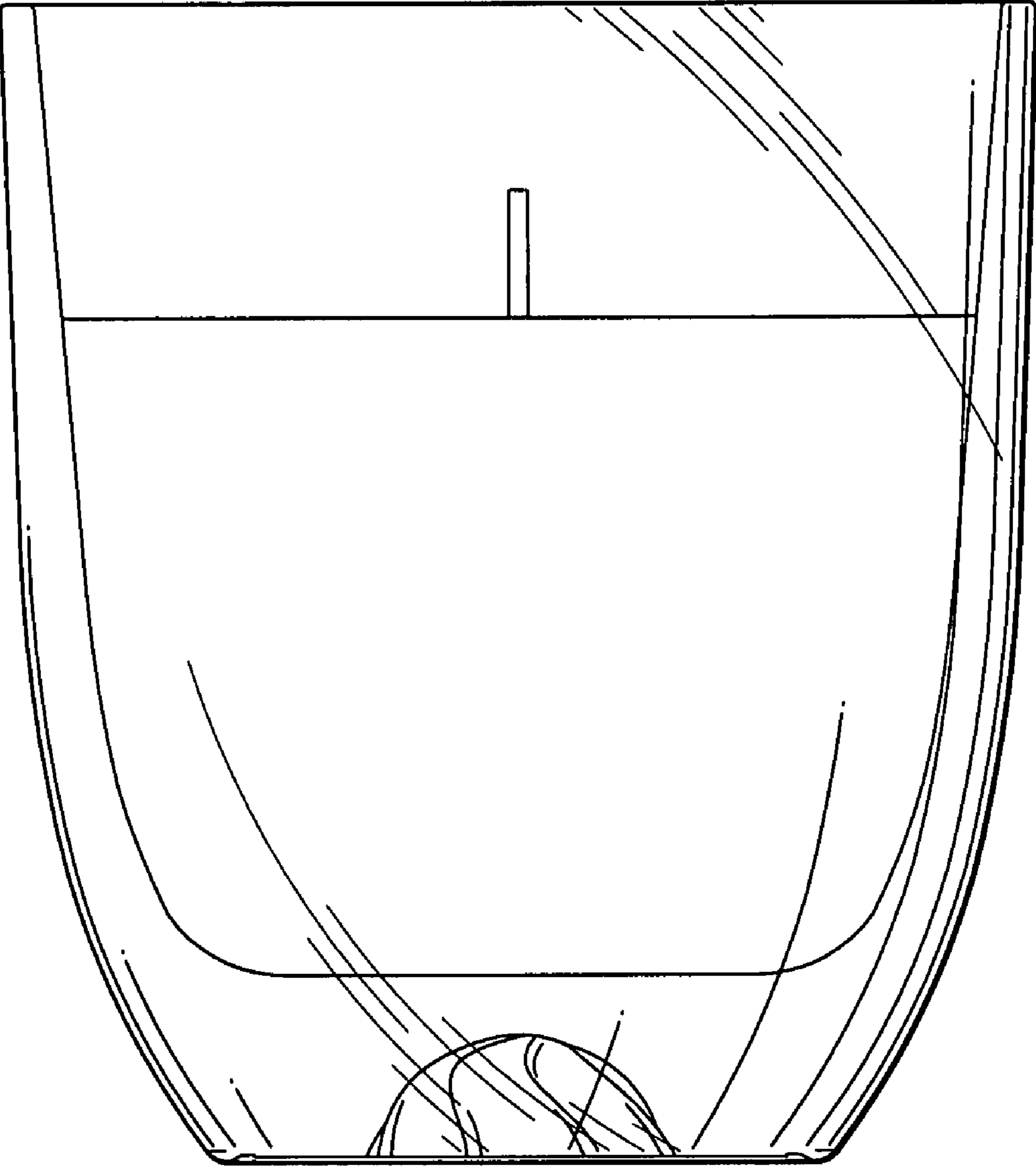


FIG. 2

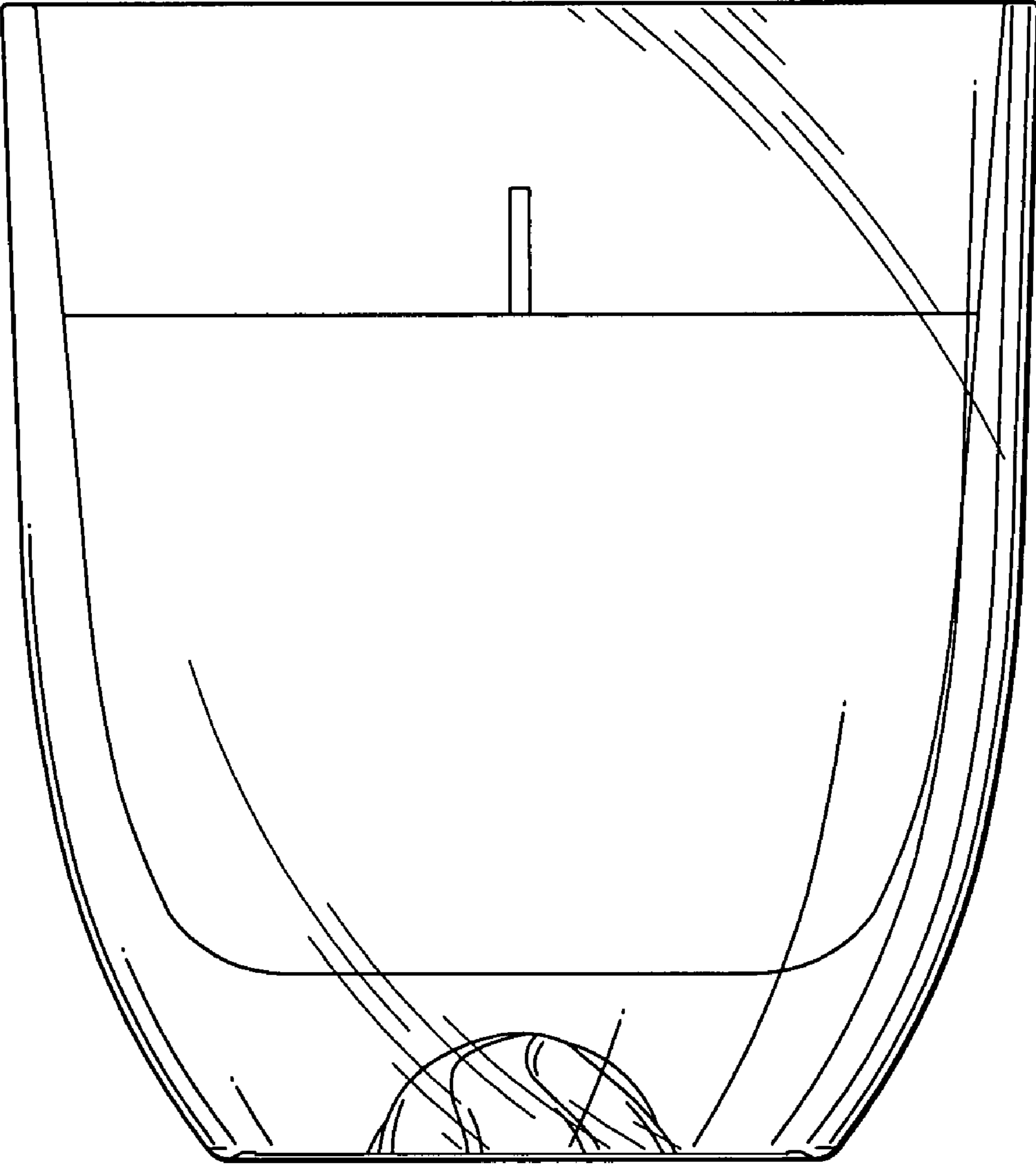


FIG. 3

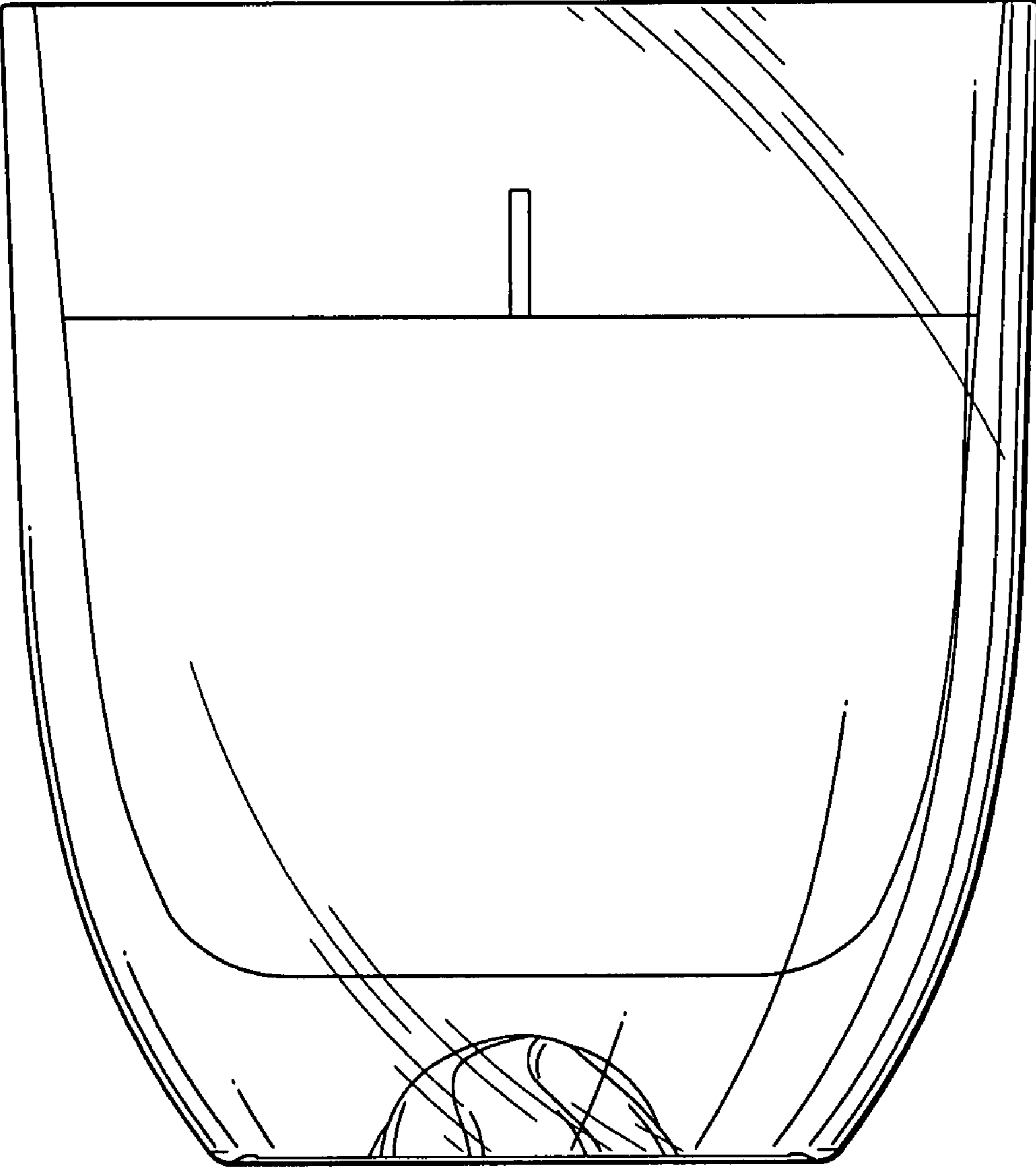


FIG. 4

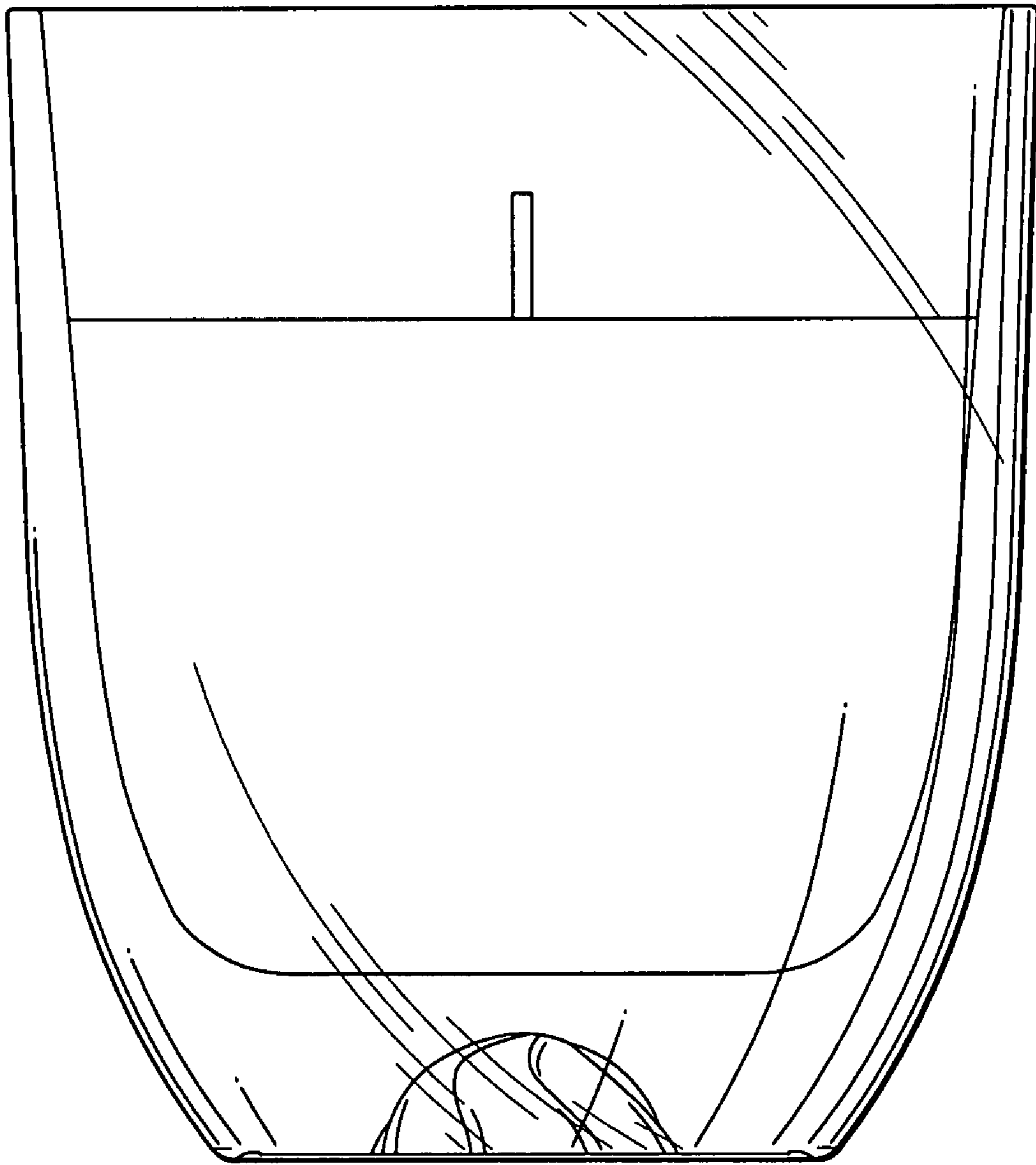


FIG. 5

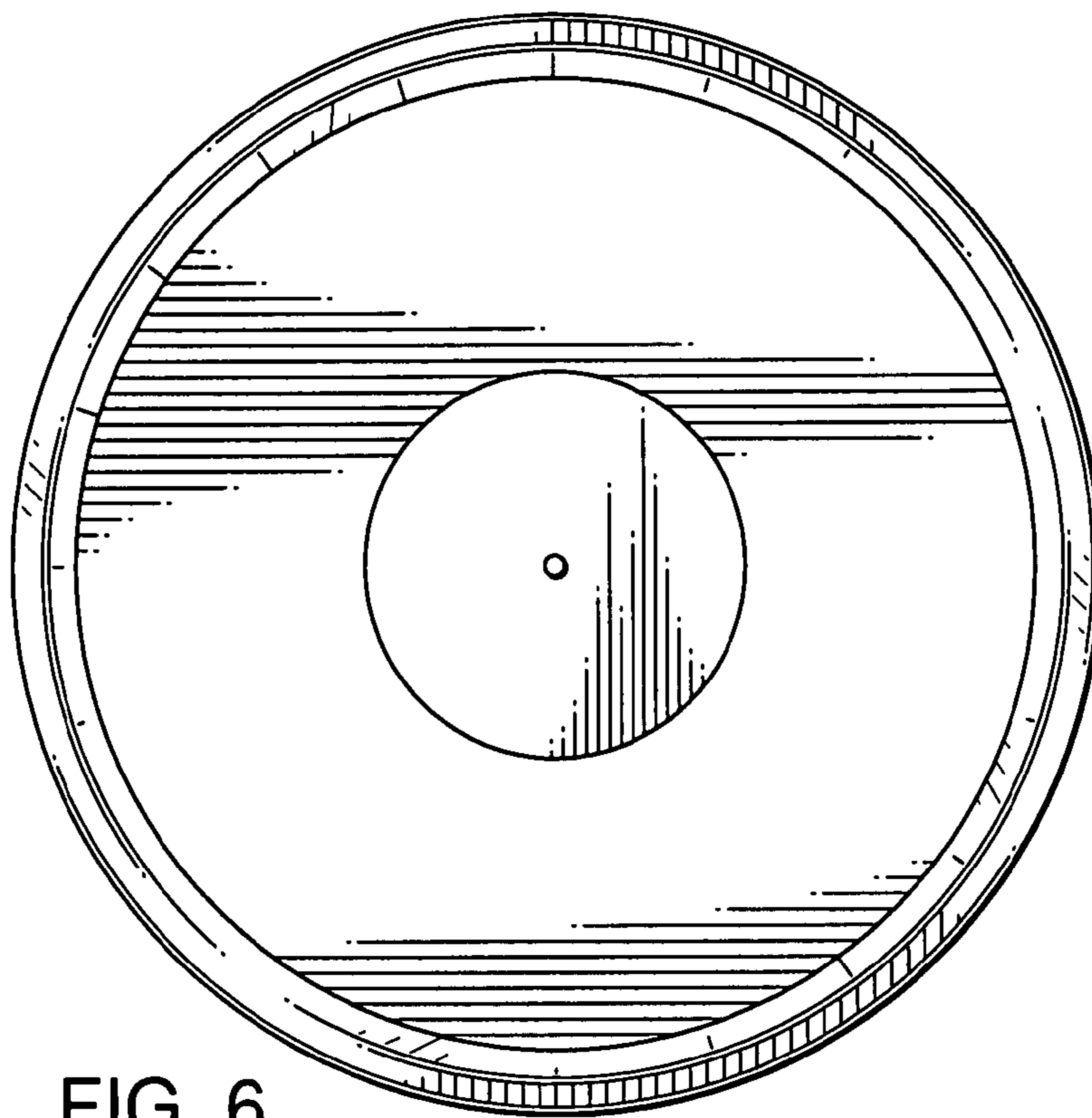


FIG. 6

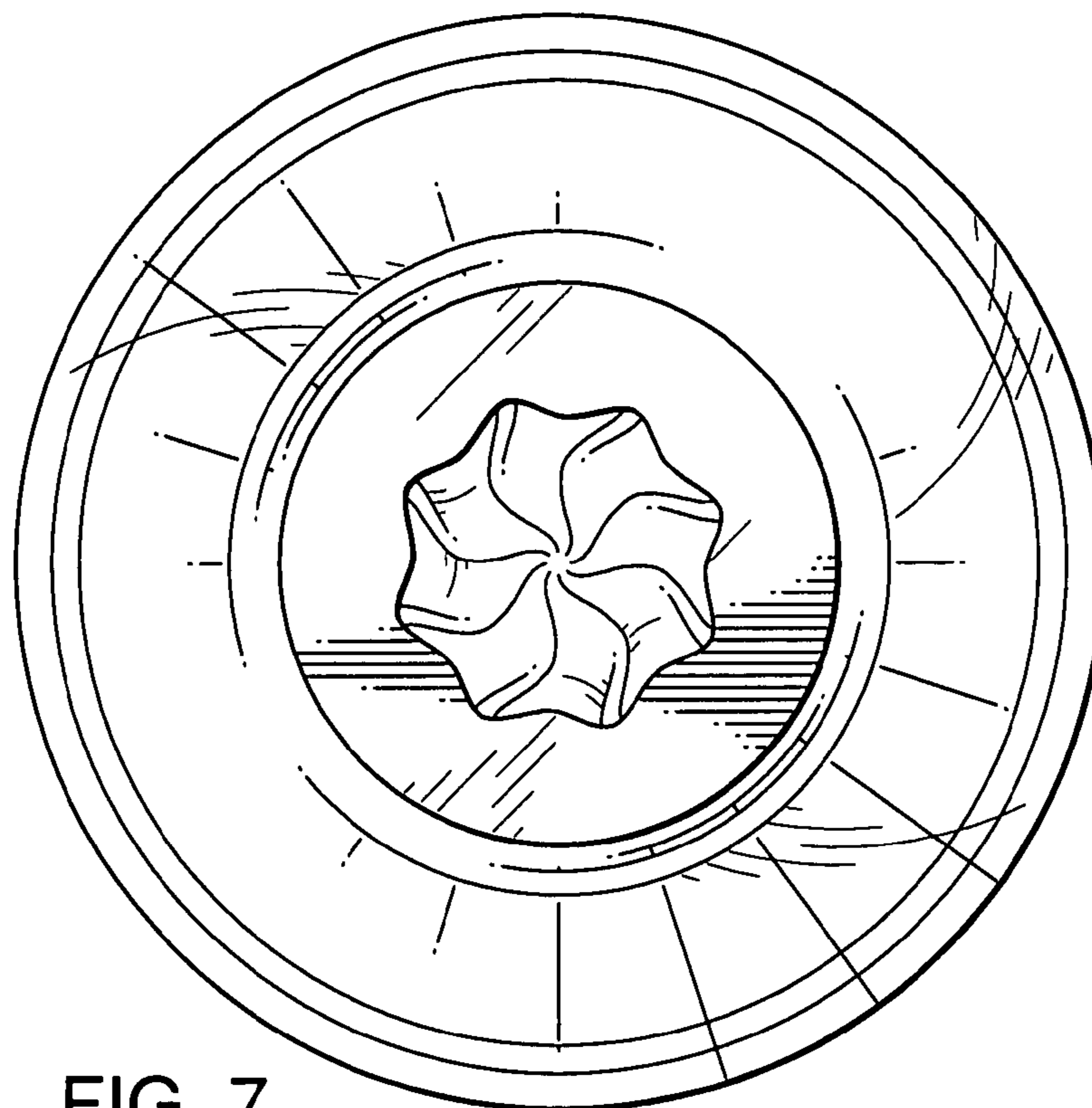


FIG. 7



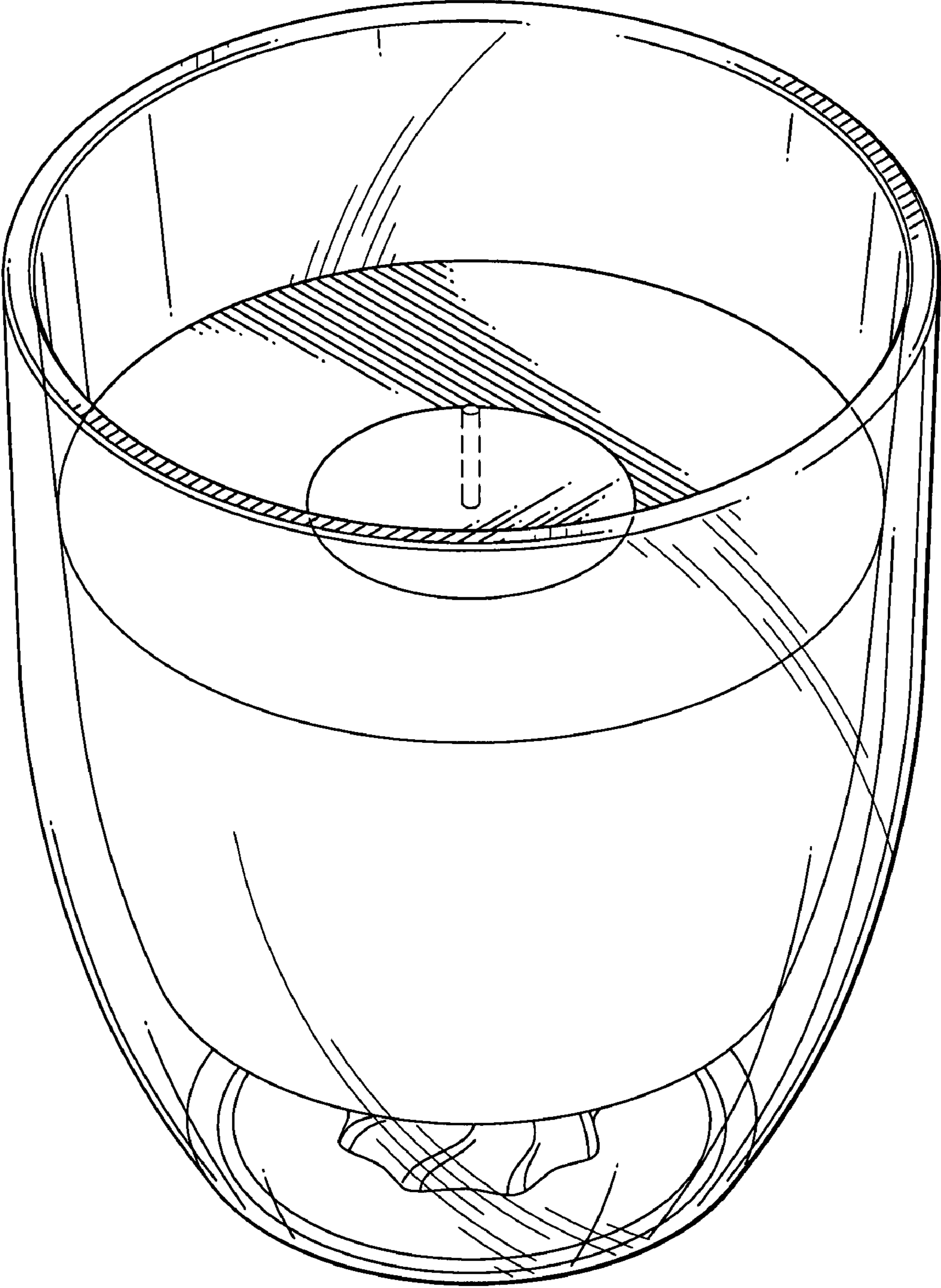


FIG. 8

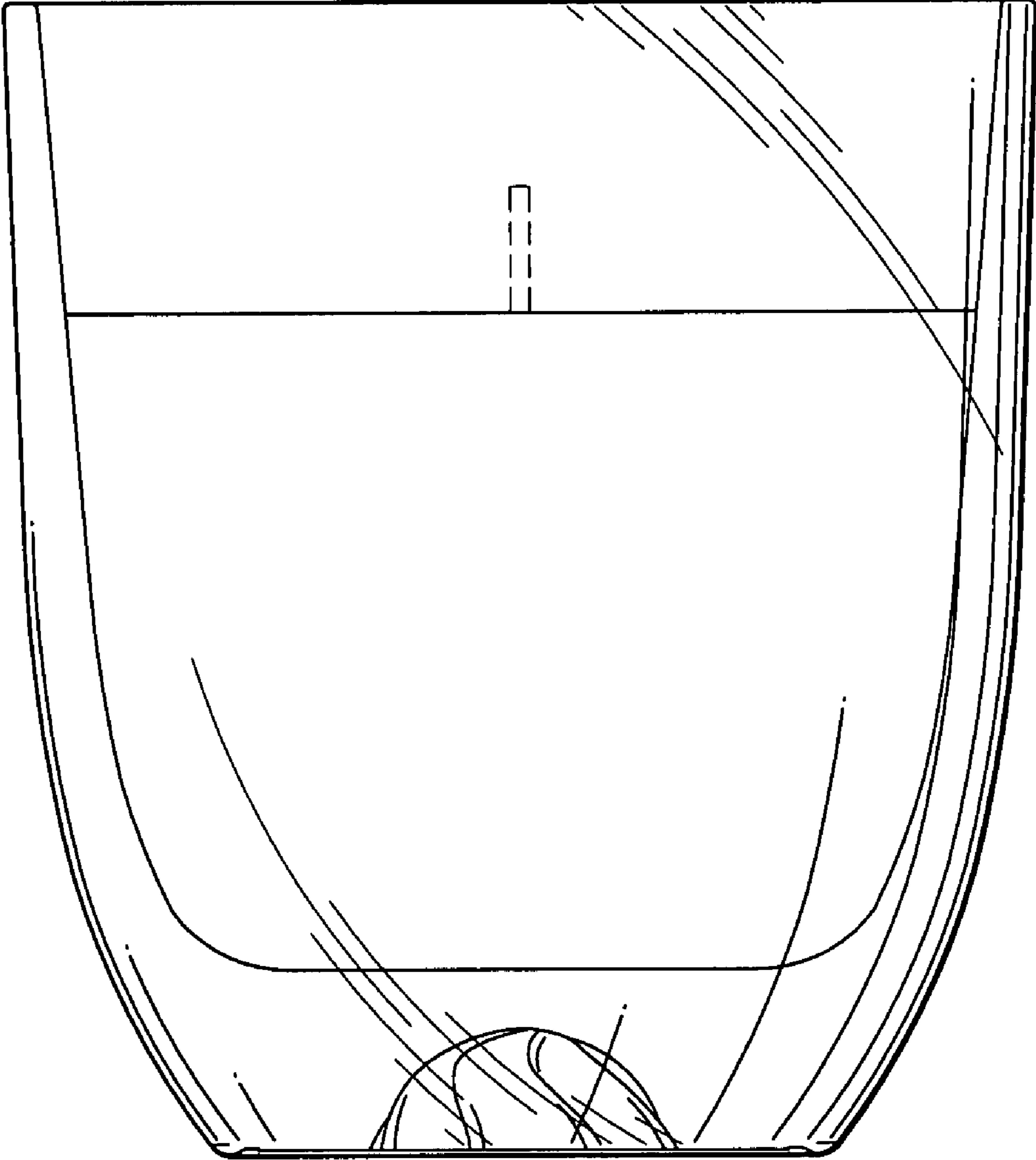


FIG. 9

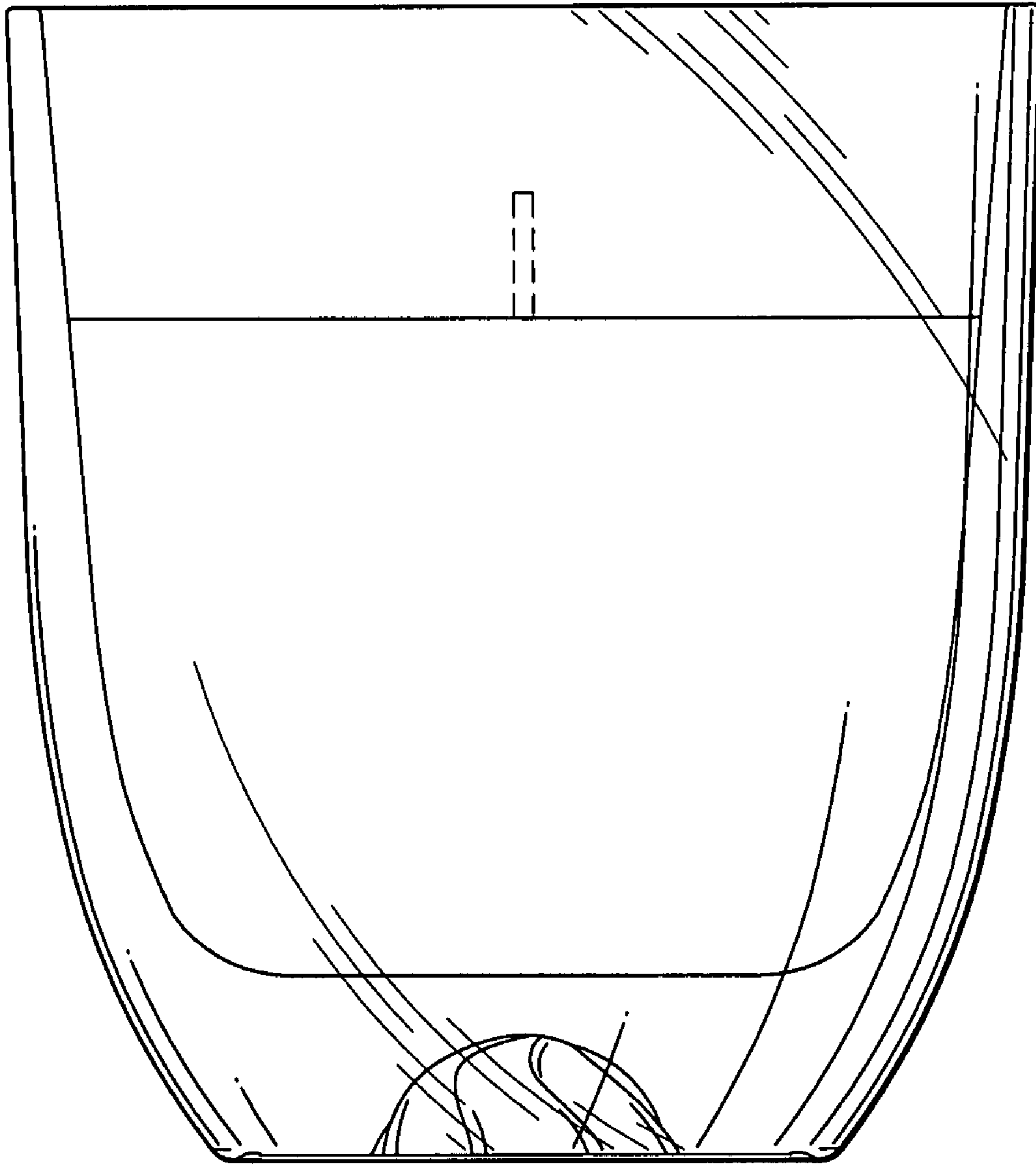


FIG. 10

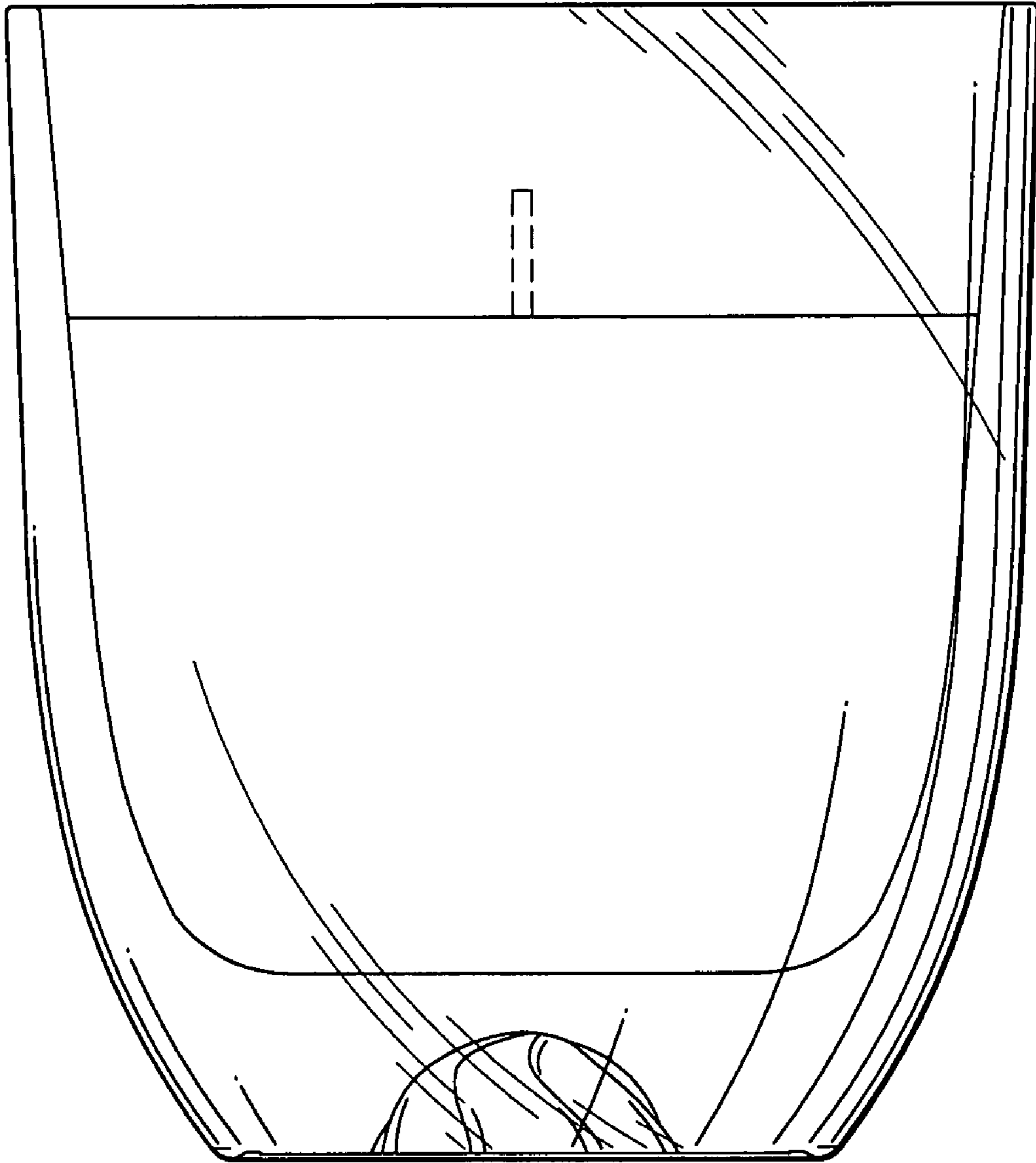


FIG. 11

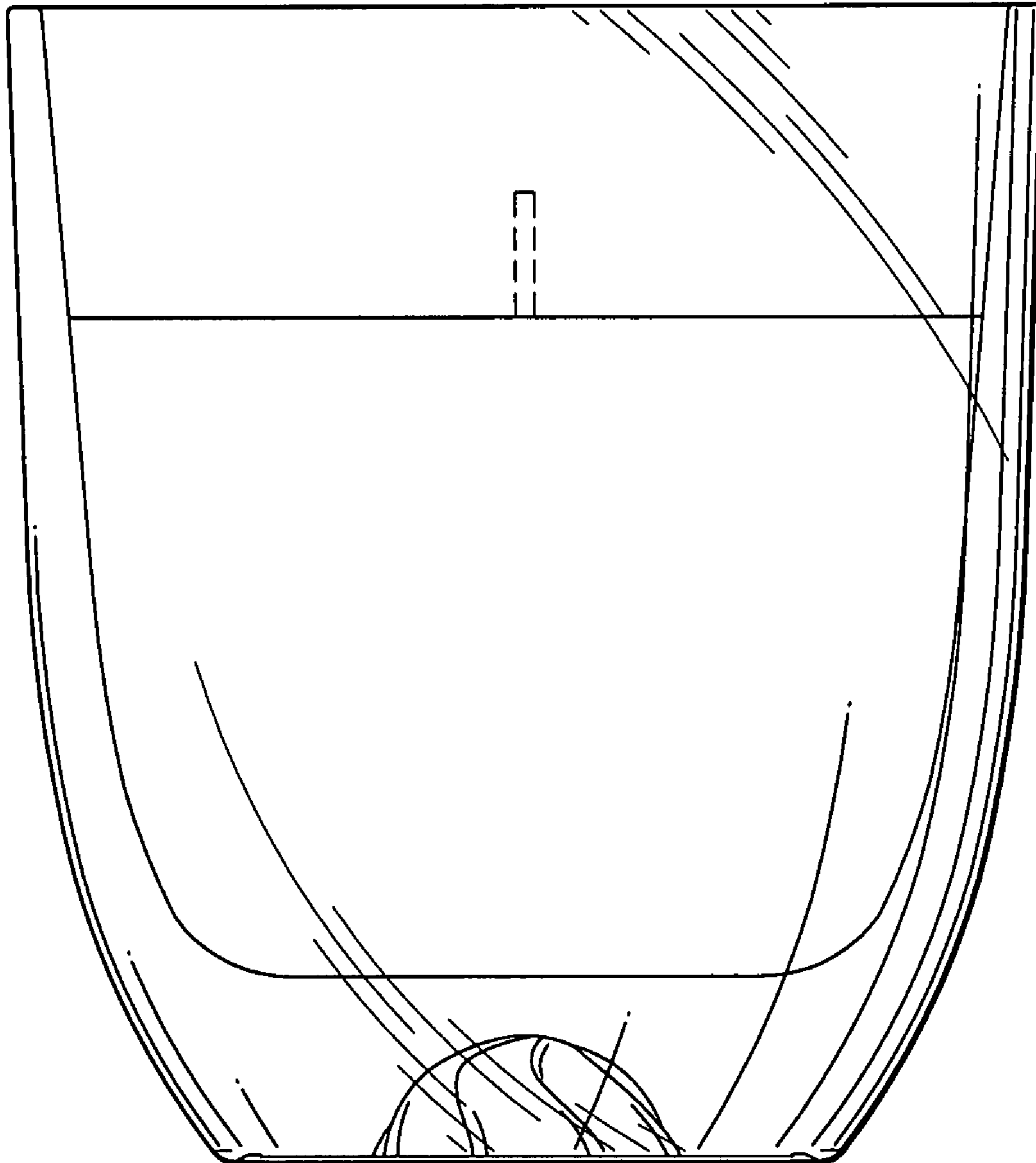


FIG. 12

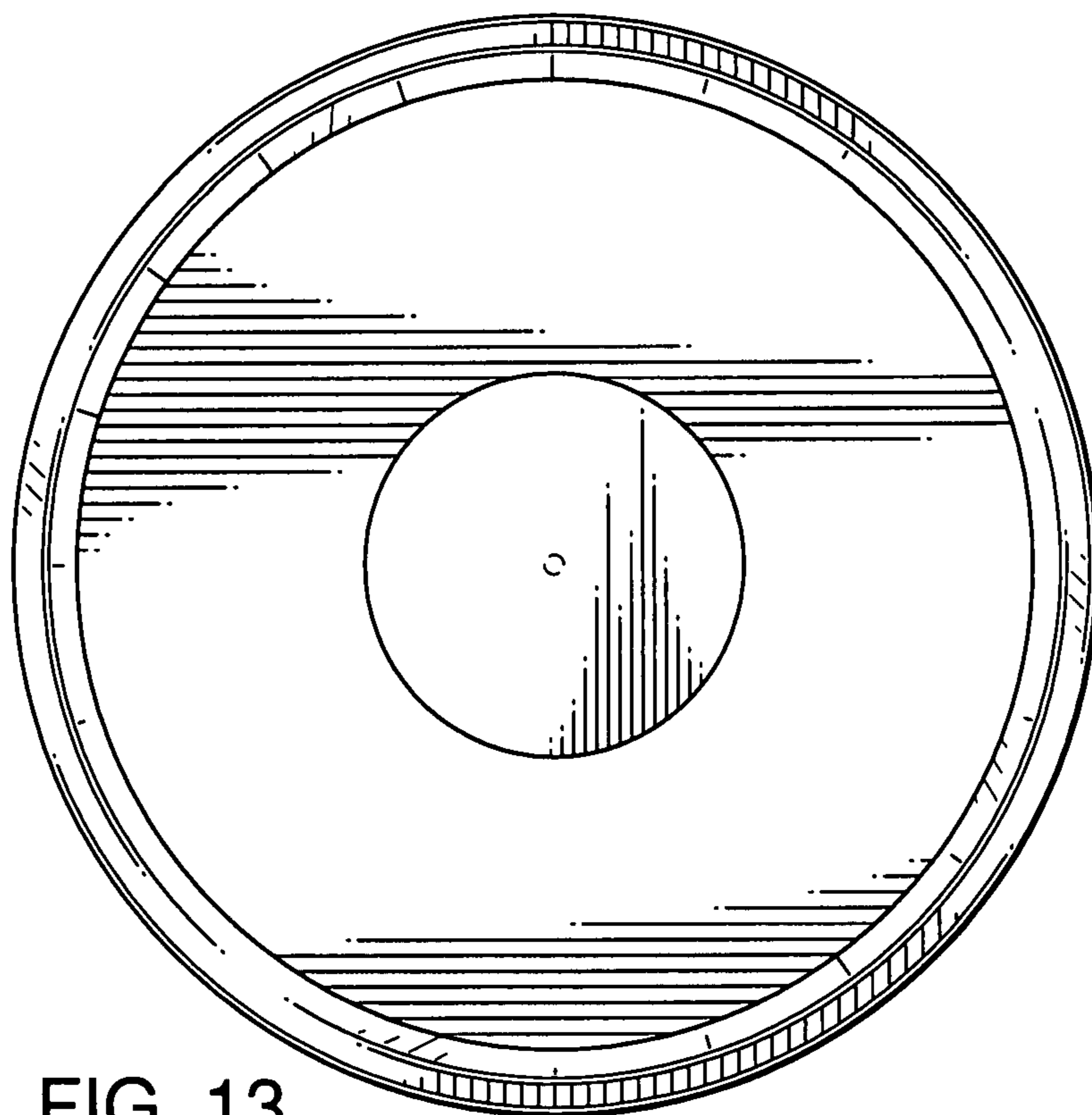


FIG. 13

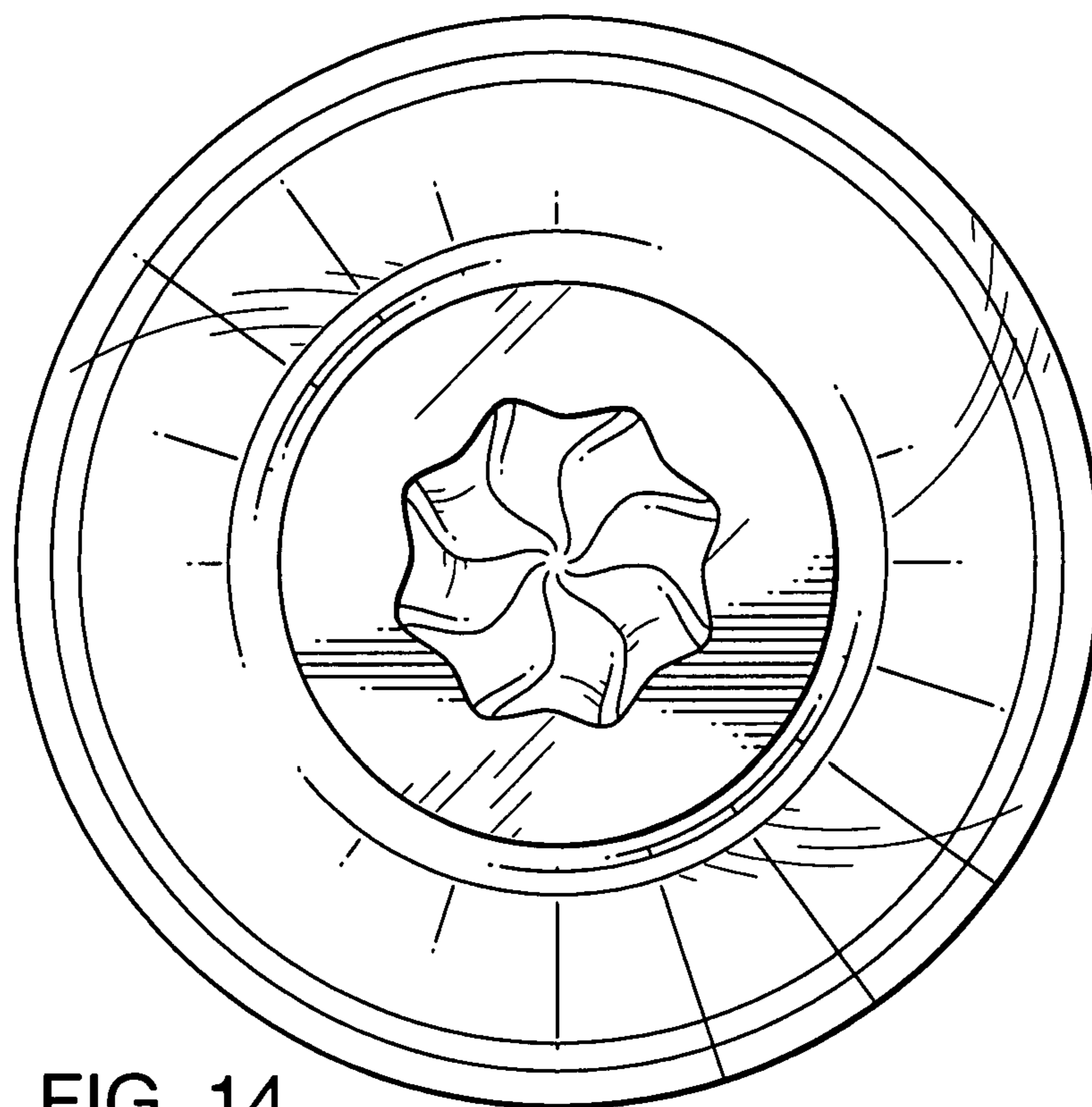


FIG. 14