



US00D590073S

(12) **United States Design Patent**
Schrader

(10) **Patent No.:** **US D590,073 S**

(45) **Date of Patent:** **** Apr. 7, 2009**

(54) **WINDOW COMPONENT EXTRUSION**

(75) Inventor: **Robert A. Schrader**, Puyallup, WA (US)

(73) Assignee: **Mikron Industries, Inc.**, Kent, WA (US)

(**) Term: **14 Years**

(21) Appl. No.: **29/308,262**

(22) Filed: **Jun. 6, 2008**

Related U.S. Application Data

(62) Division of application No. 29/285,203, filed on Mar. 22, 2007, now Pat. No. Des. 576,748.

(51) **LOC (9) Cl.** **25-01**

(52) **U.S. Cl.** **D25/124**

(58) **Field of Classification Search** D25/124,
D25/125; 52/656.6, 204.5, 204.55, 204.61,
52/730.3, 204.51, 204.595, 204.71, 656.2,
52/204.1, 204.2, 204.593; 49/504, DIG. 2

See application file for complete search history.

(56) **References Cited**

U.S. PATENT DOCUMENTS

D353,472 S	12/1994	Schrader	
D379,240 S	5/1997	Jarrell	
D468,455 S *	1/2003	Morton et al. D25/124
D496,742 S *	9/2004	Franson D25/124

* cited by examiner

Primary Examiner—Doris Clark

(74) *Attorney, Agent, or Firm*—Black Lowe & Graham PLLC

(57) **CLAIM**

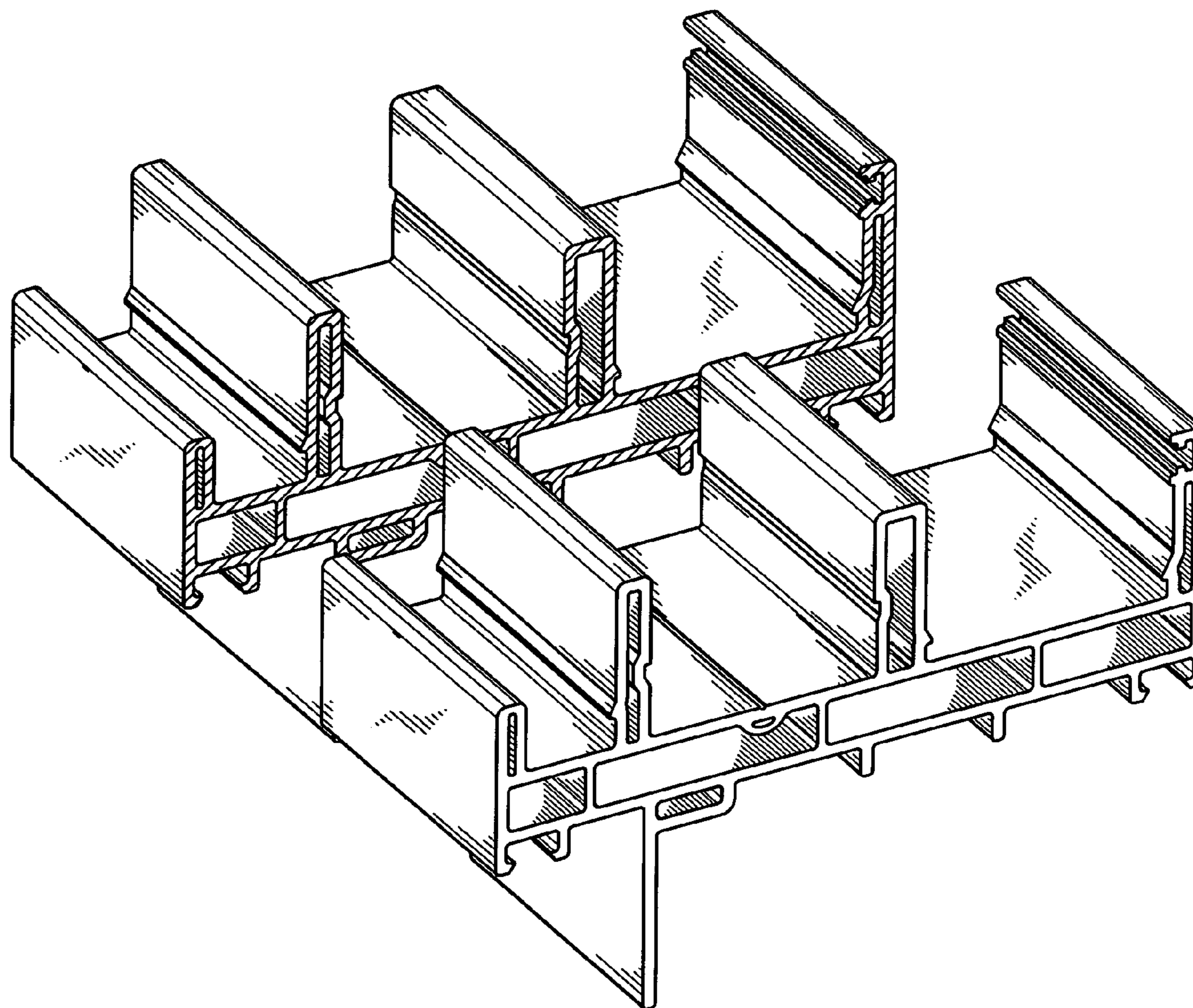
The ornamental design for a window component extrusion, as shown and described.

DESCRIPTION

FIG. 1 is a top left perspective view of a window component extrusion, which is broken in the center indicating indefinite length; and,

FIG. 2 is a bottom right perspective view thereof.

1 Claim, 2 Drawing Sheets



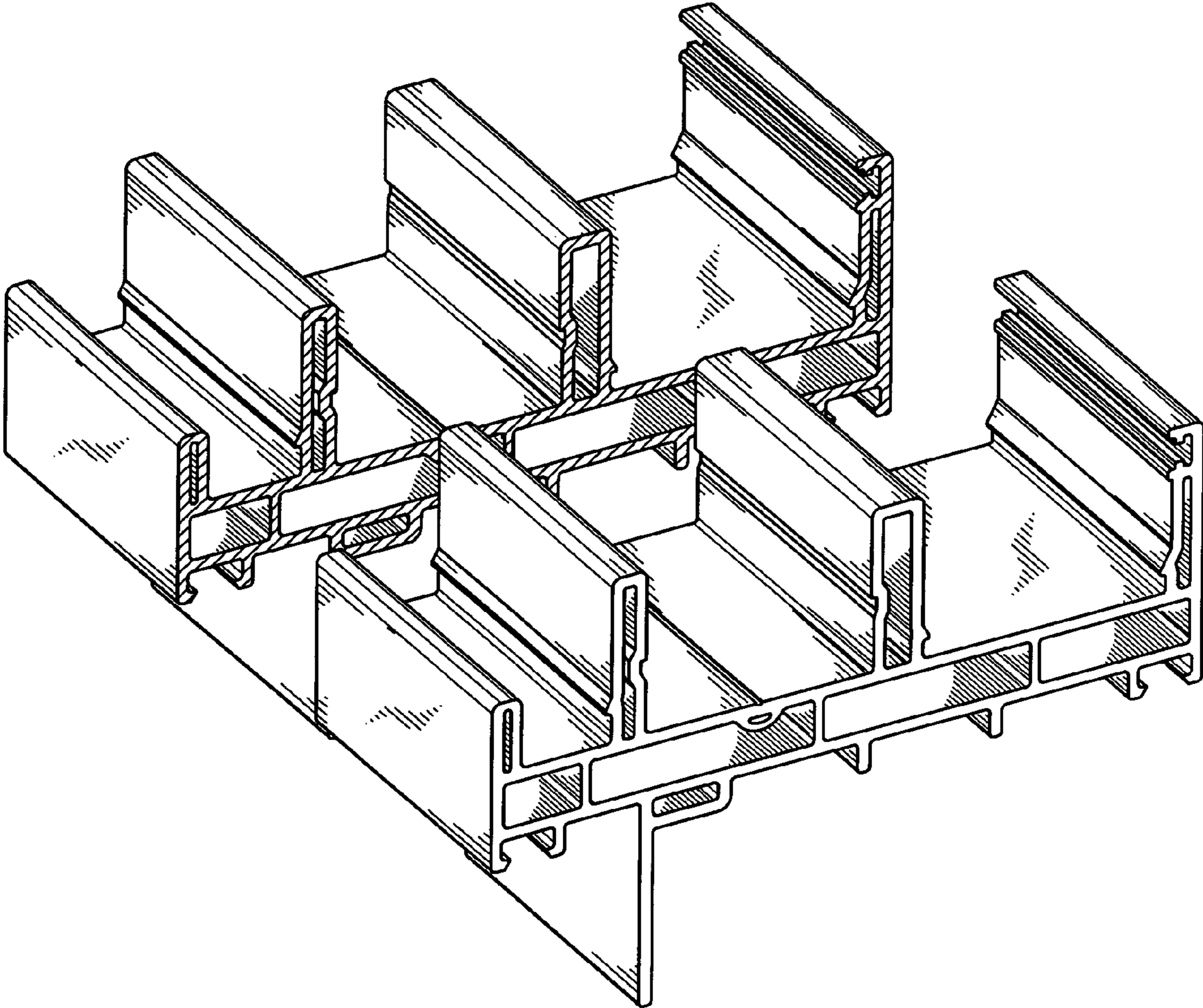


FIG.1

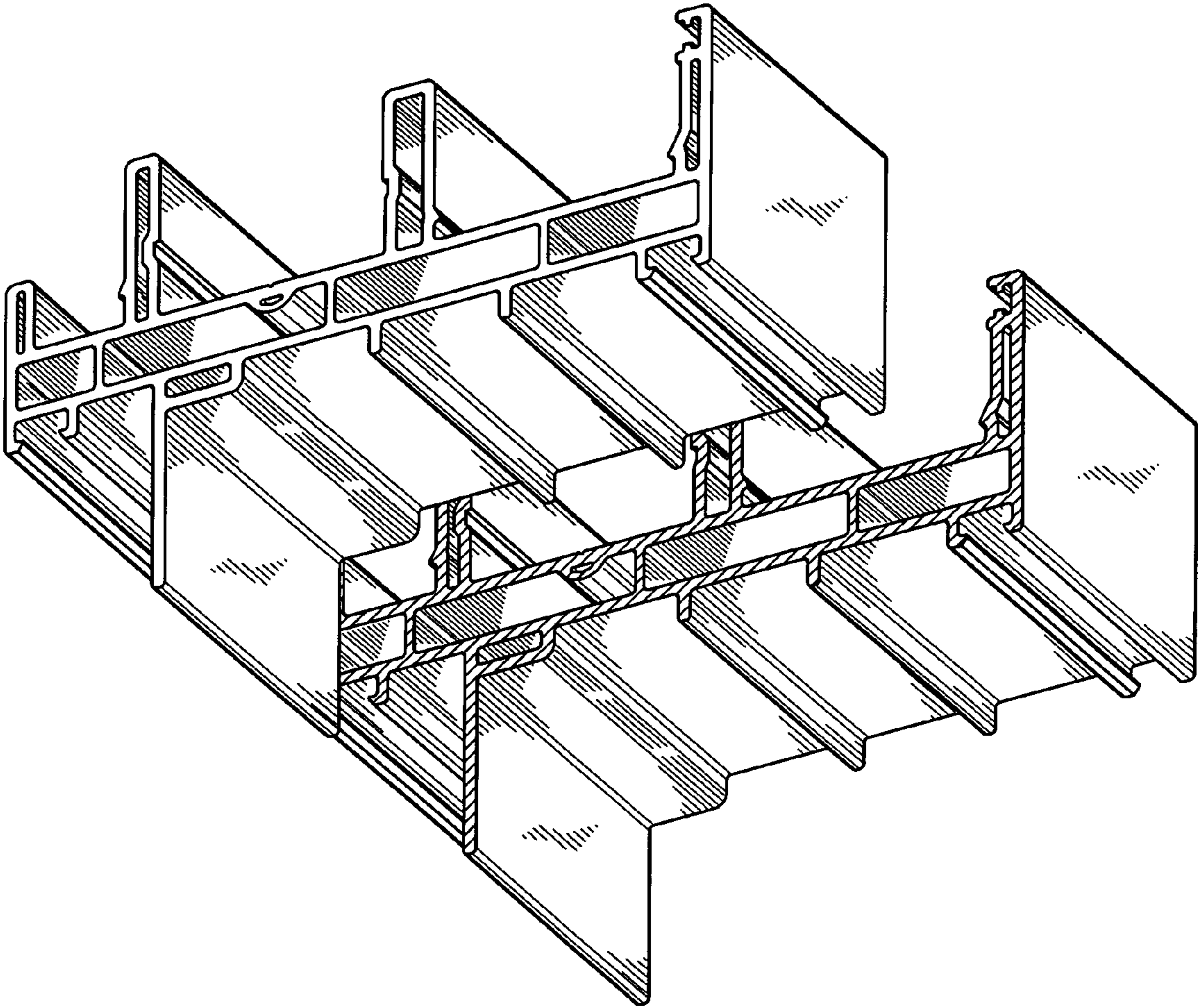


FIG.2